

United States Patent [19]

Perricelli et al.

[11] Patent Number: **Des. 304,316**

[45] Date of Patent: **** Oct. 31, 1989**

[54] **BADGE OR THE LIKE**

[76] Inventors: **Ralph Perricelli**, 313 Oradell Ave., Paramus, N.J. 07652; **Raymond Gonzalez**, 169 Jane St., Englewood, N.J. 07631

[**] Term: **14 Years**

[21] Appl. No.: **106,708**

[22] Filed: **Oct. 9, 1987**

[52] U.S. Cl. **D11/99**

[58] Field of Search **D11/1-2, D11/14, 44, 48, 79, 80, 81, 95, 96, 99; 63/1.1, 2, 4, 12-14.8, 18-21, 23**

[56] **References Cited**

U.S. PATENT DOCUMENTS

- D. 39,033 1/1908 Caldwell D11/99
- D. 52,342 8/1918 Peters D11/48

D. 134,195 10/1942 McAdam D11/99

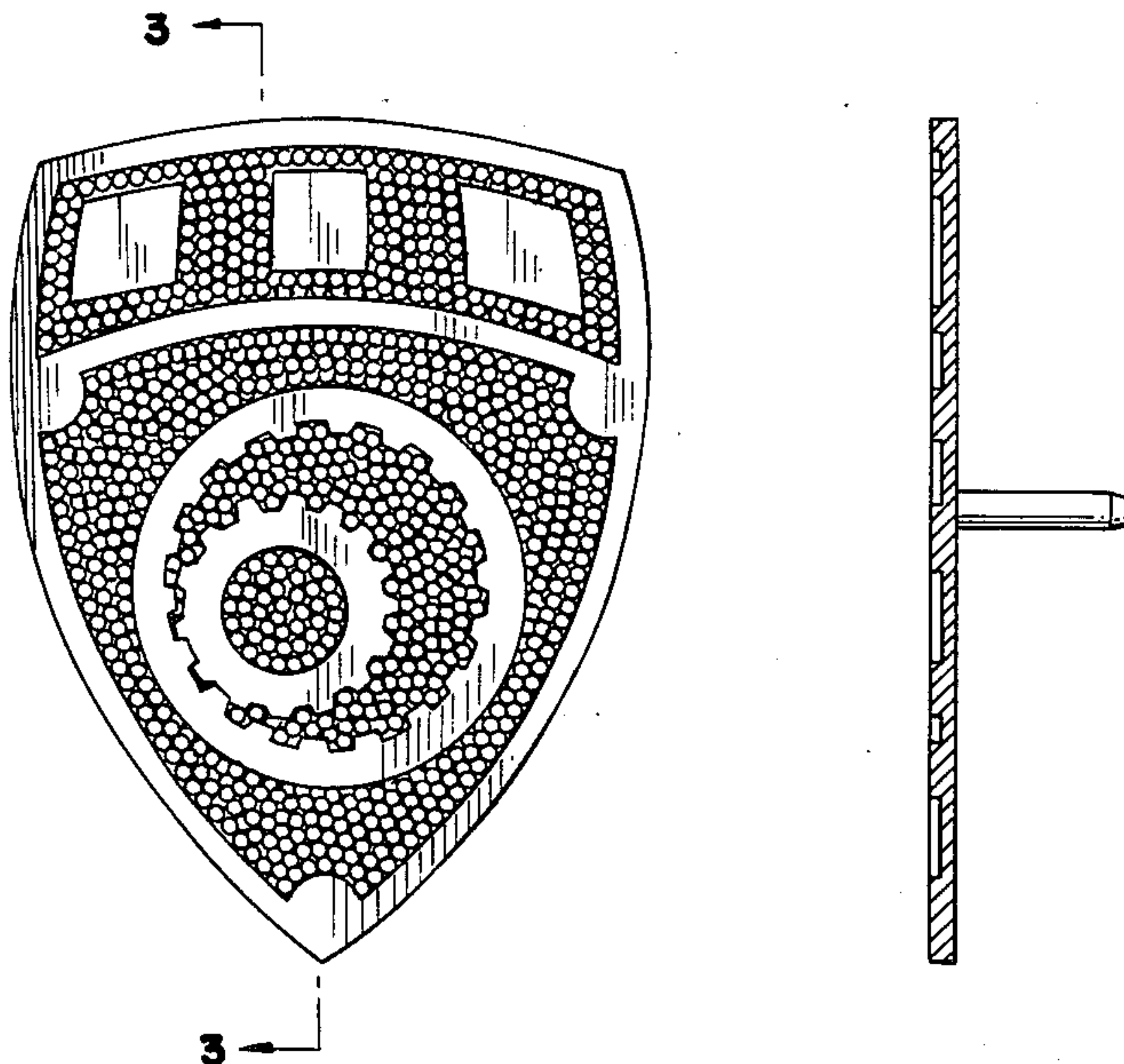
Primary Examiner—Louis S. Zarfes
Assistant Examiner—R. T. Seifert
Attorney, Agent, or Firm—Arthur L. Plevy

[57] **CLAIM**

The ornamental design for a badge or the like as shown and described.

DESCRIPTION

FIG. 1 is a front elevational view of a badge or the like showing my new design;
FIG. 2 is a rear elevational view;
FIG. 3 is a cross-sectional view taken on the line 3—3 of FIG. 1;
FIG. 4 is a side elevational view the opposite side being a mirror image;
FIG. 5 is a top plan view; and
FIG. 6 is a bottom plan view.



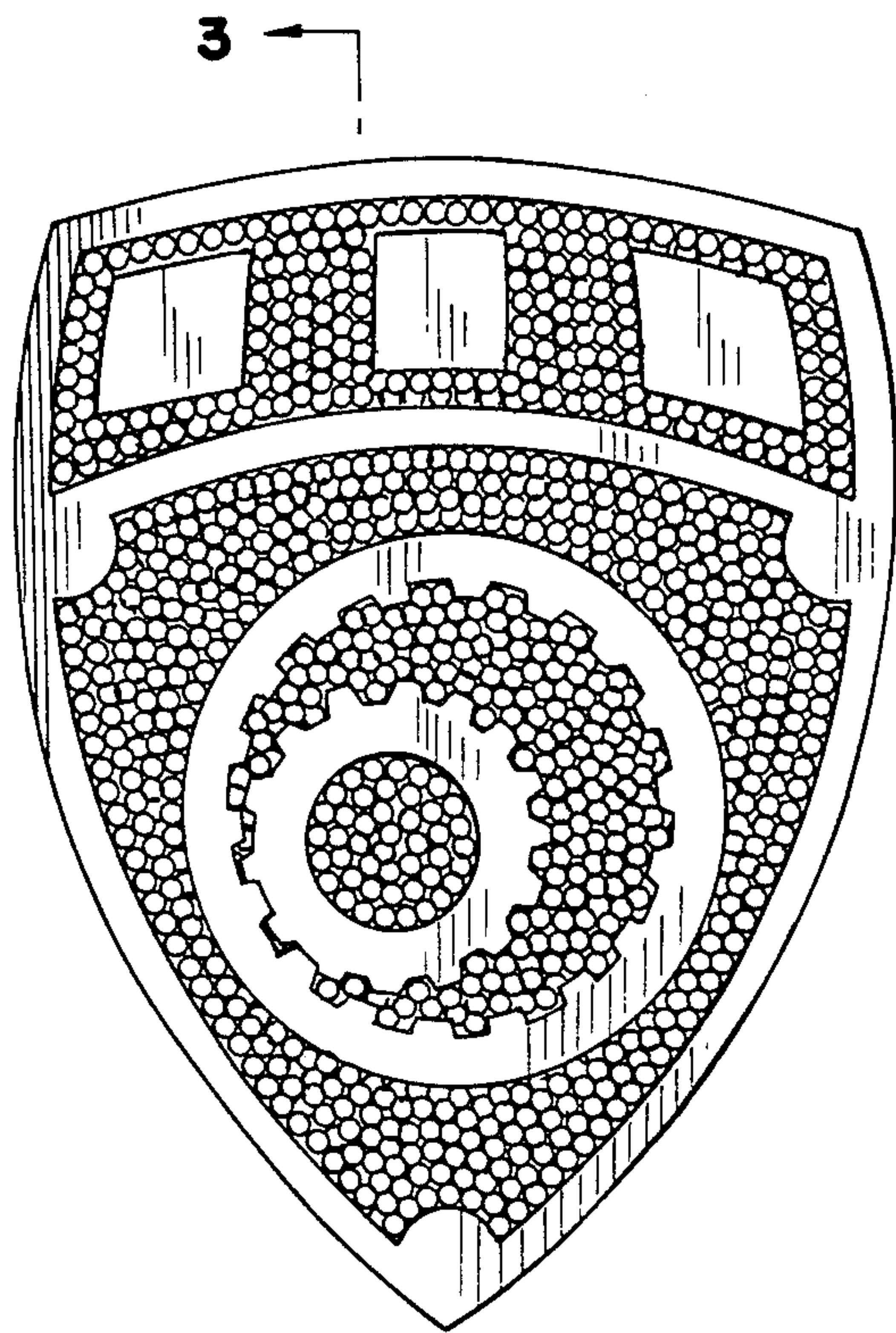


FIG. 1

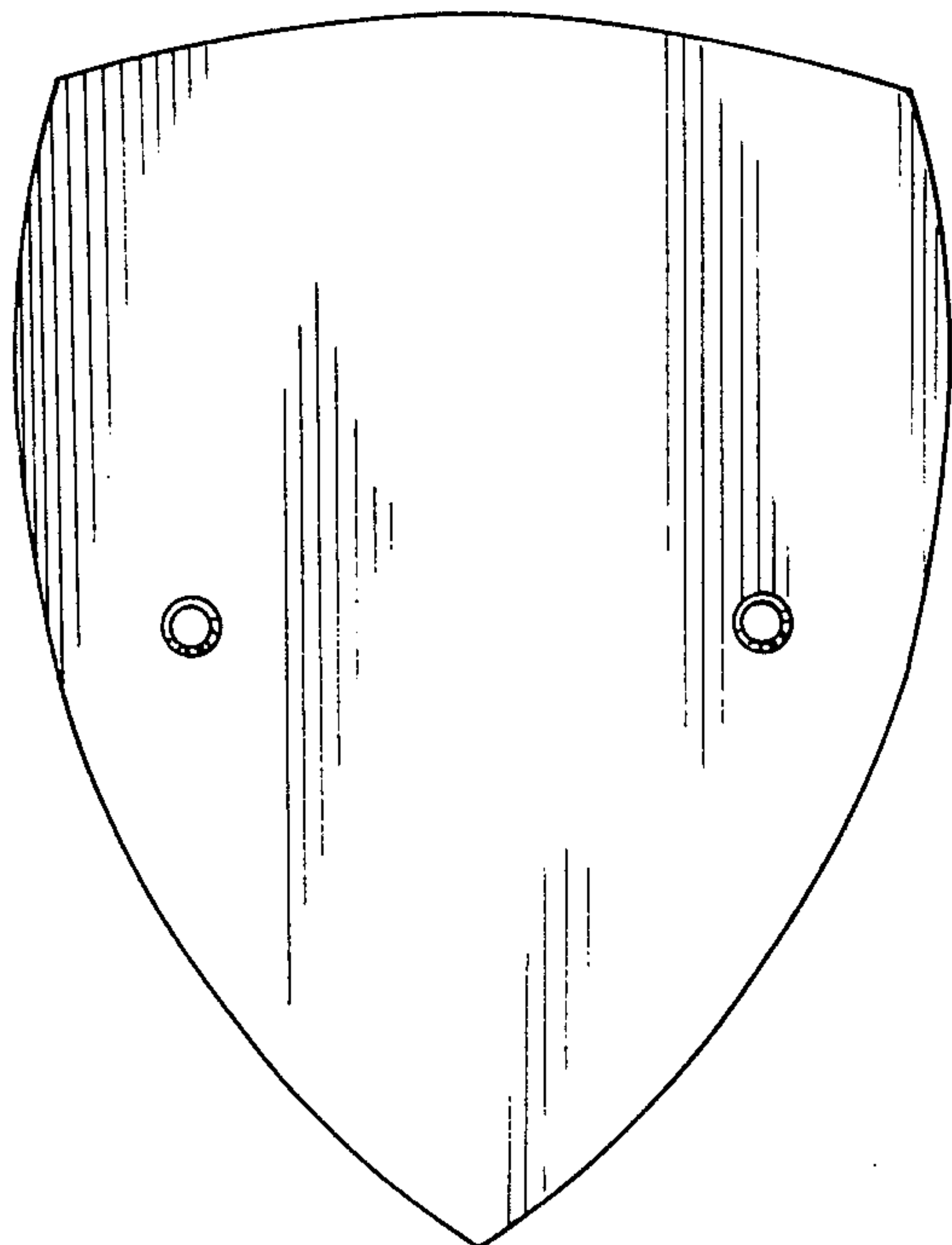


FIG. 2

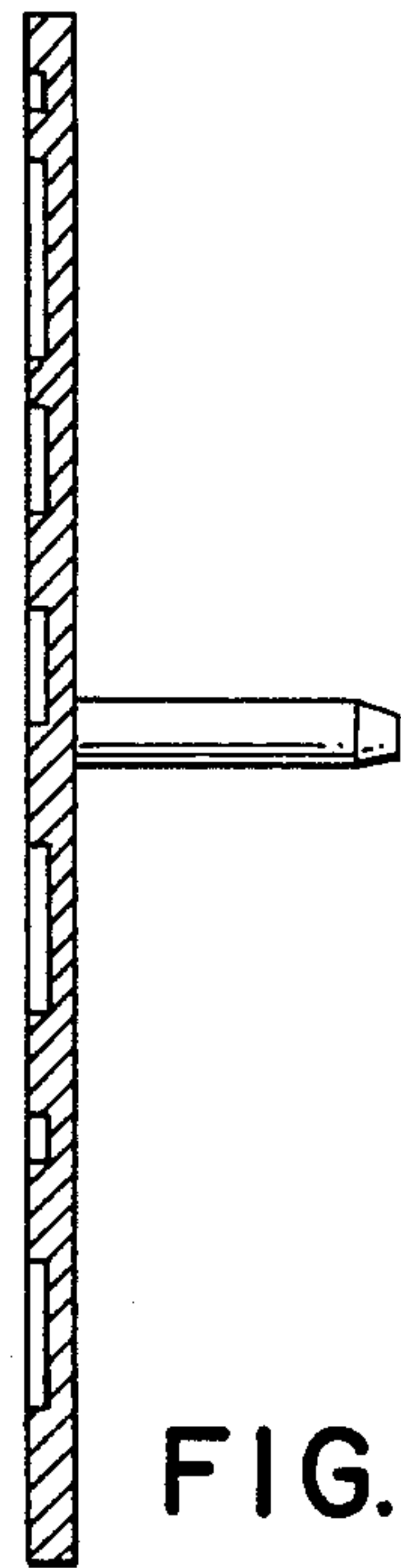


FIG. 3

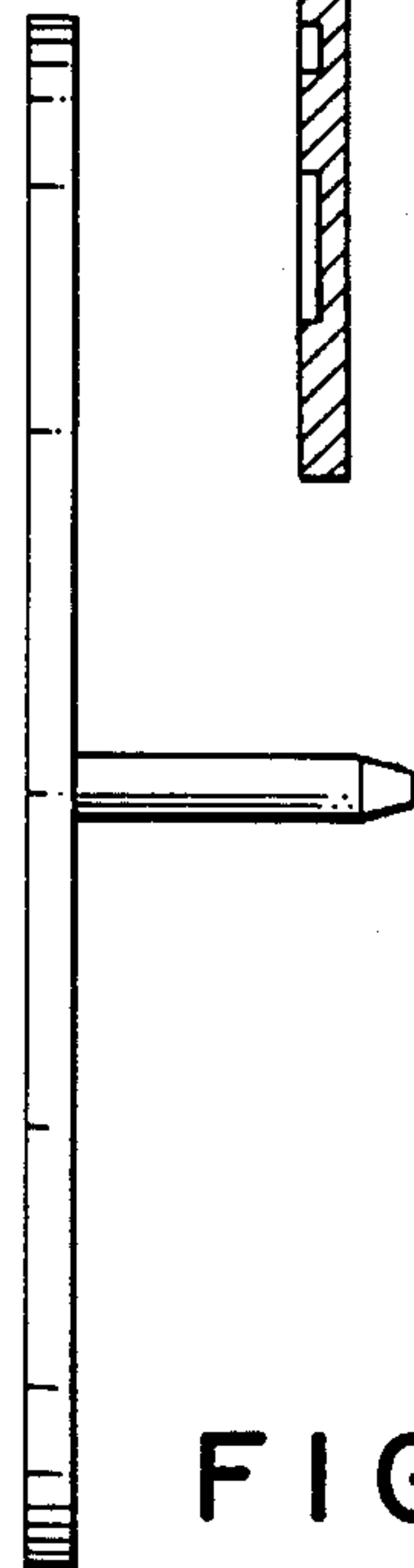


FIG. 4

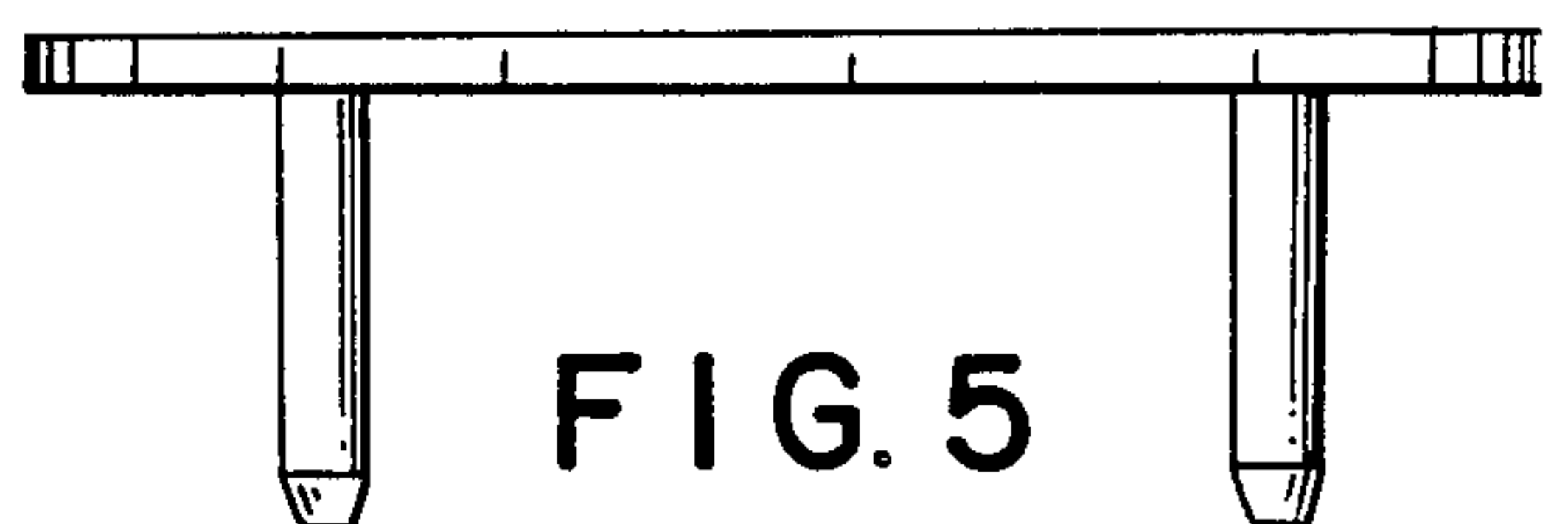


FIG. 5

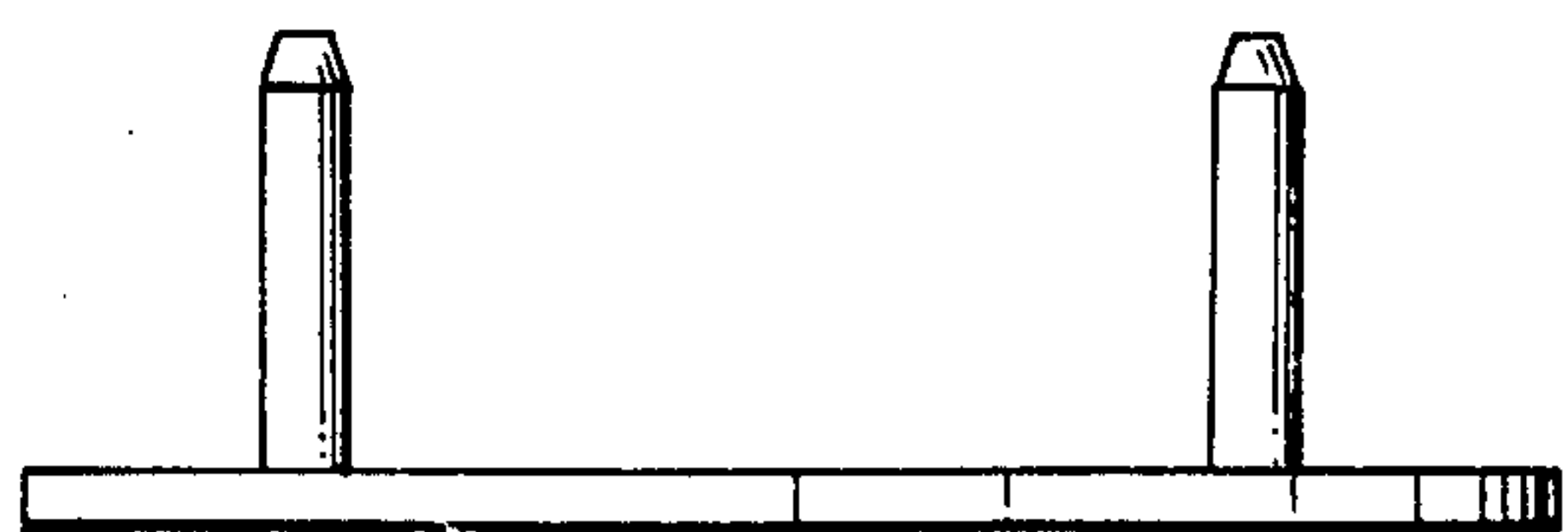


FIG. 6