

# United States Patent [19]

Vories

[11] Patent Number: **Des. 304,309**

[45] Date of Patent: **\*\* Oct. 31, 1989**

[54] **TRANSMITTER CASE**

[75] Inventor: **Dennis L. Vories, Valley Center, Calif.**

[73] Assignee: **F. B. Nutter Enterprises, Inc., San Bernardino, Calif.**

[\*\*] Term: **14 Years**

[21] Appl. No.: **845,828**

[22] Filed: **Mar. 25, 1986**

[52] U.S. Cl. .... **D10/106; D14/155**

[58] Field of Search ..... **D14/155, 168, 188, 189, D14/191, 192, 197, 198, 225, 226; 340/540, 541, 561, 565, 584, 384 R; 455/92, 100, 128; D10/104, 106, 116, 121**

[56] **References Cited**

**U.S. PATENT DOCUMENTS**

D. 198,032 4/1964 Leland et al. .... D14/191 X  
D. 259,864 7/1981 Snyder ..... D10/116

D. 283,876 5/1986 Tabach ..... D10/106  
D. 293,088 12/1987 Brown et al. .... D10/106  
D. 297,518 9/1988 Yuen ..... D10/106  
4,491,970 1/1985 LaWhite et al. .... 455/100  
4,606,073 8/1986 Moore ..... 455/100 X

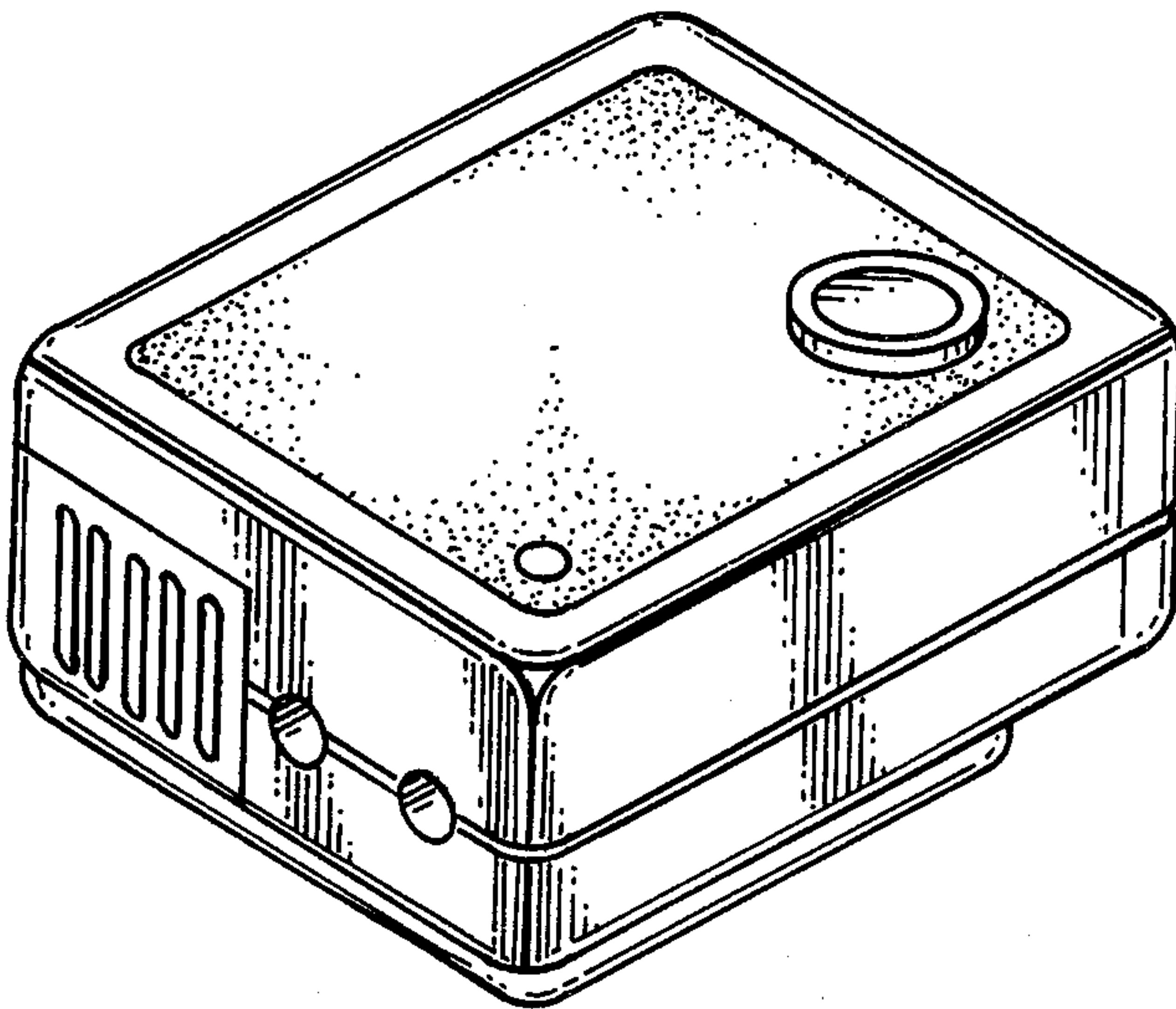
*Primary Examiner*—Bernard Ansher  
*Assistant Examiner*—Theodore M. Shooman  
*Attorney, Agent, or Firm*—Christie, Parker & Hale

[57] **CLAIM**

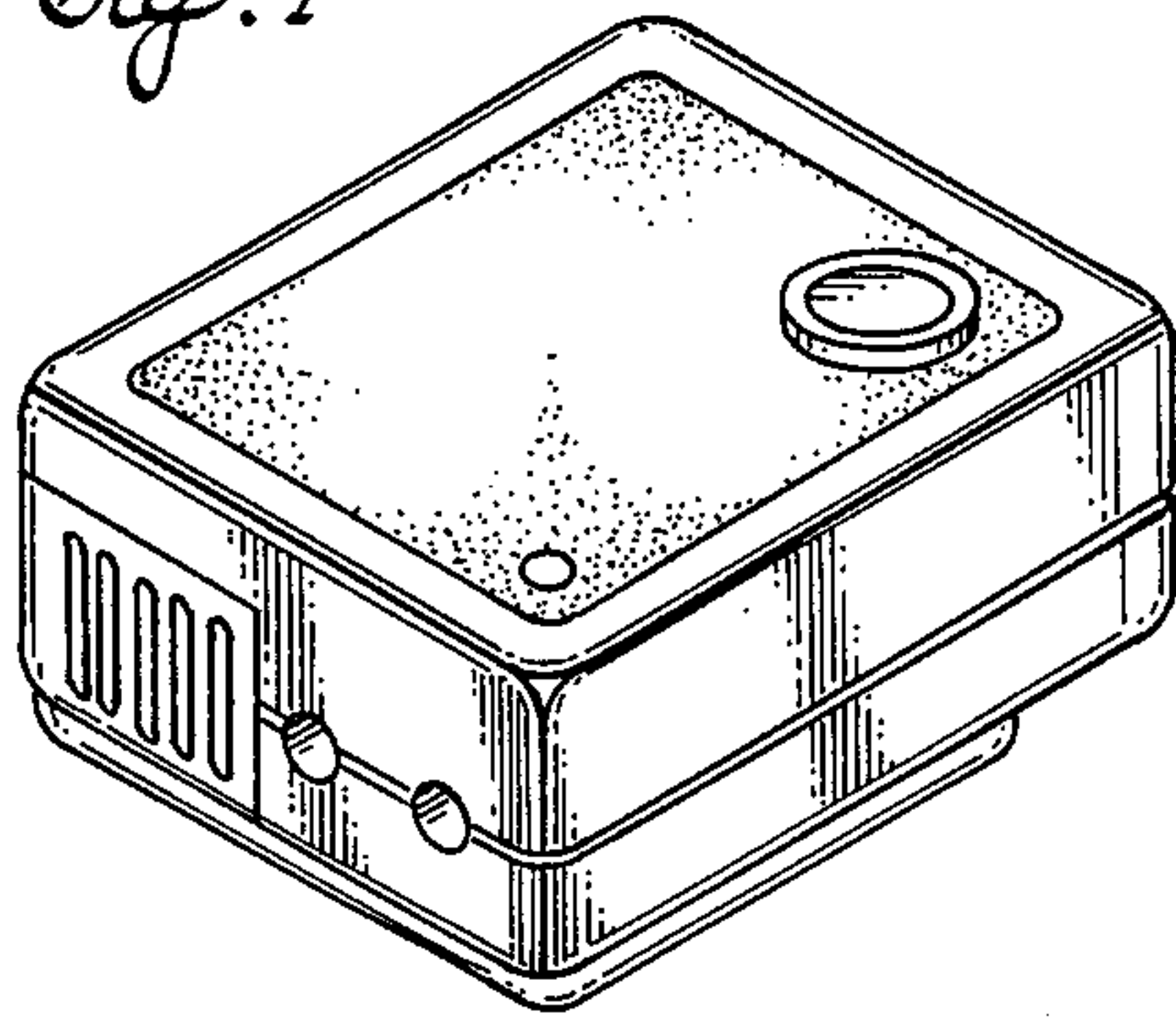
The ornamental design for a transmitter case, substantially as shown and described.

**DESCRIPTION**

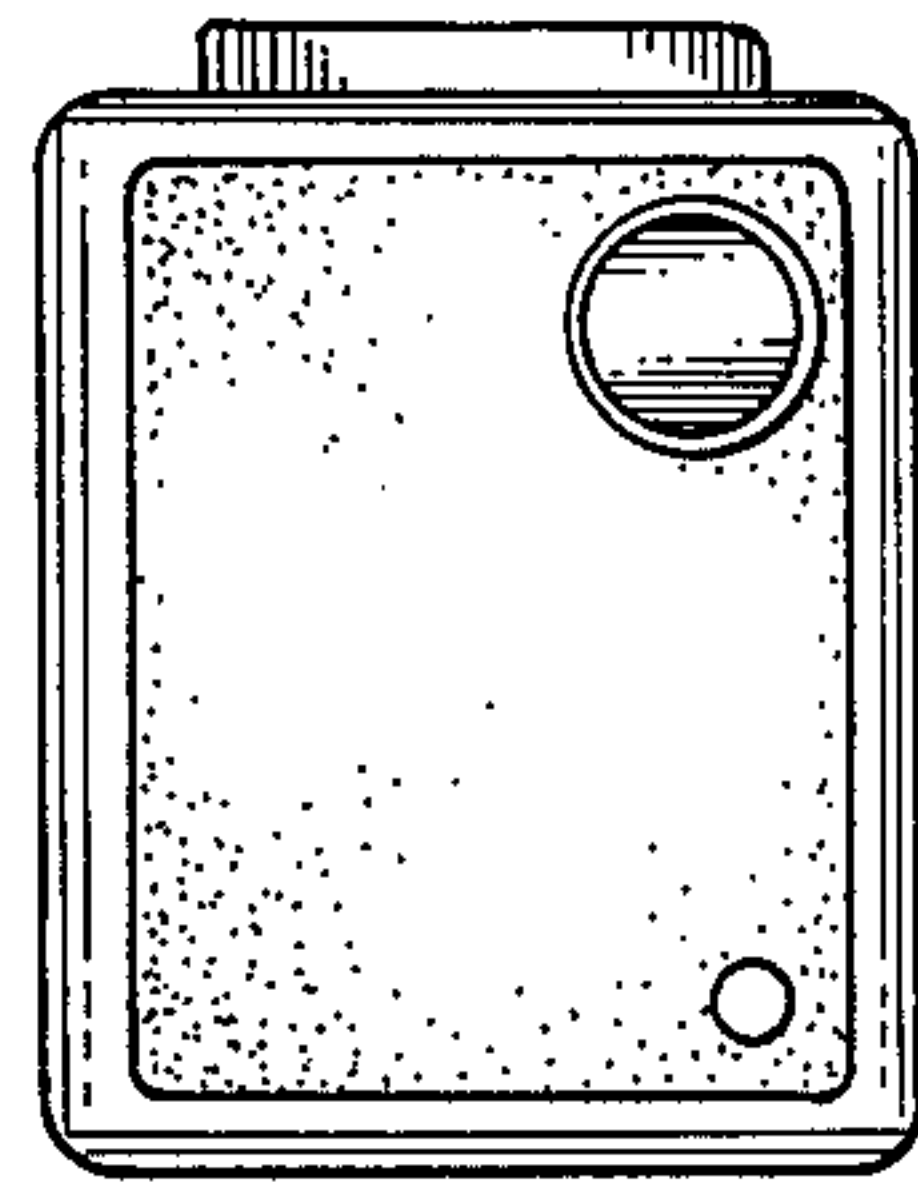
FIG. 1 is a perspective view of the transmitter case; FIG. 2 is a front view of the transmitter case; FIG. 3 is a left side view of the transmitter case; FIG. 4 is a right side view of the transmitter case; FIG. 5 is a rear view of the transmitter case; FIG. 6 is a top view of the transmitter case; and FIG. 7 is a bottom view of the transmitter case.



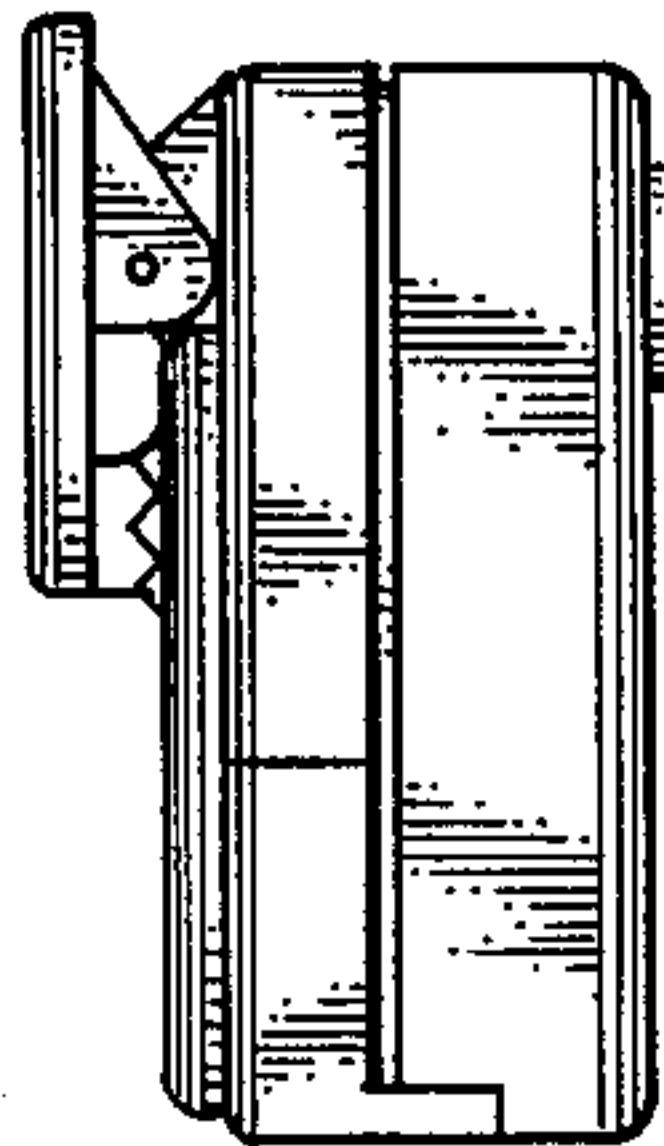
*Fig. 1*



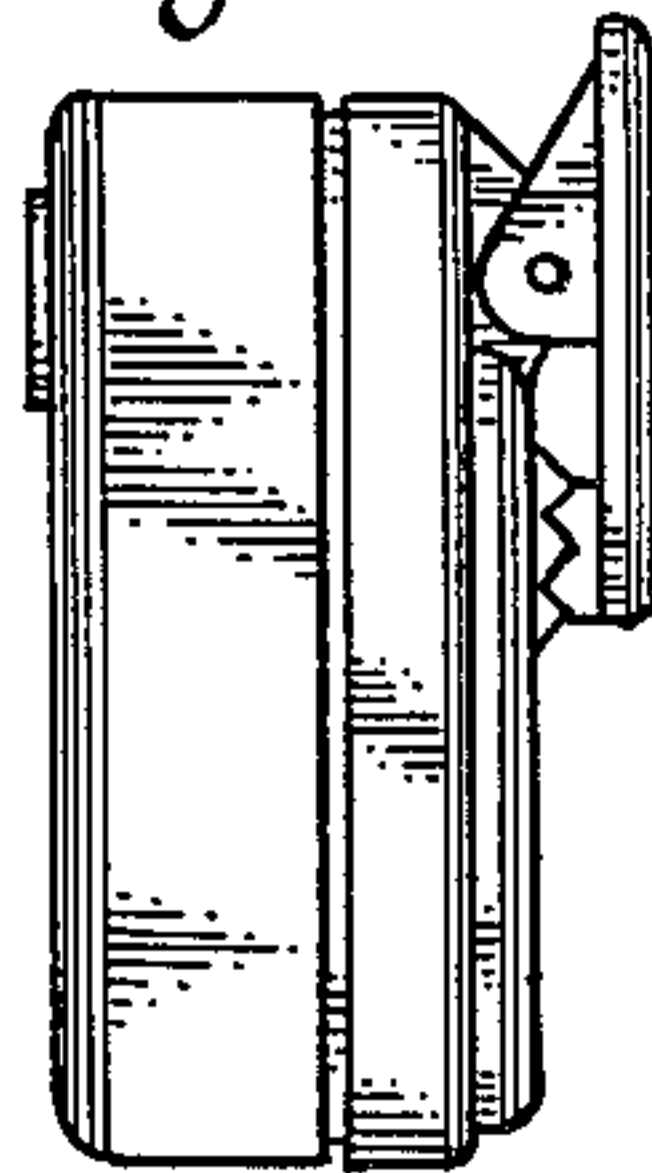
*Fig. 2*



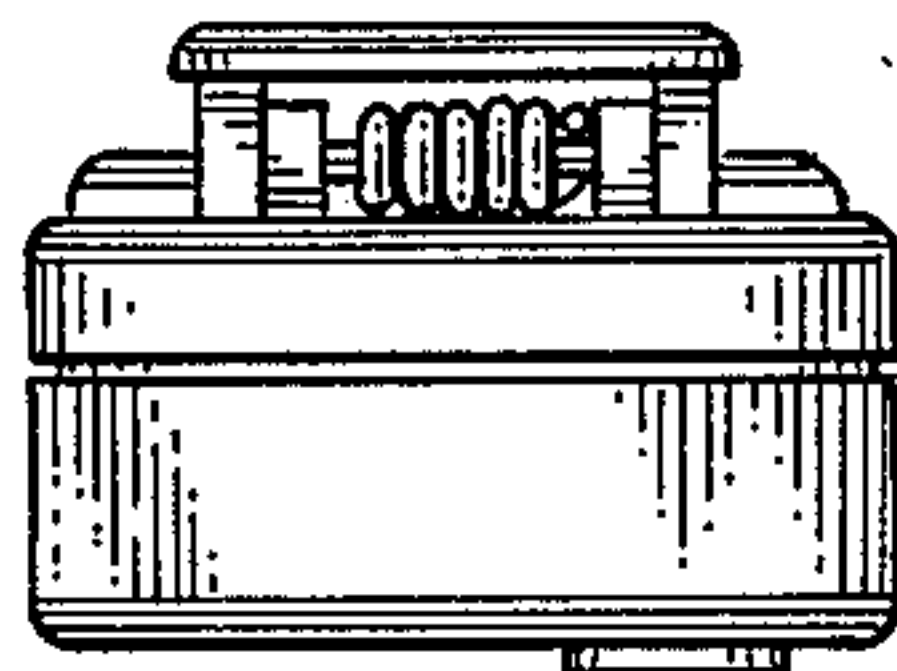
*Fig. 3*



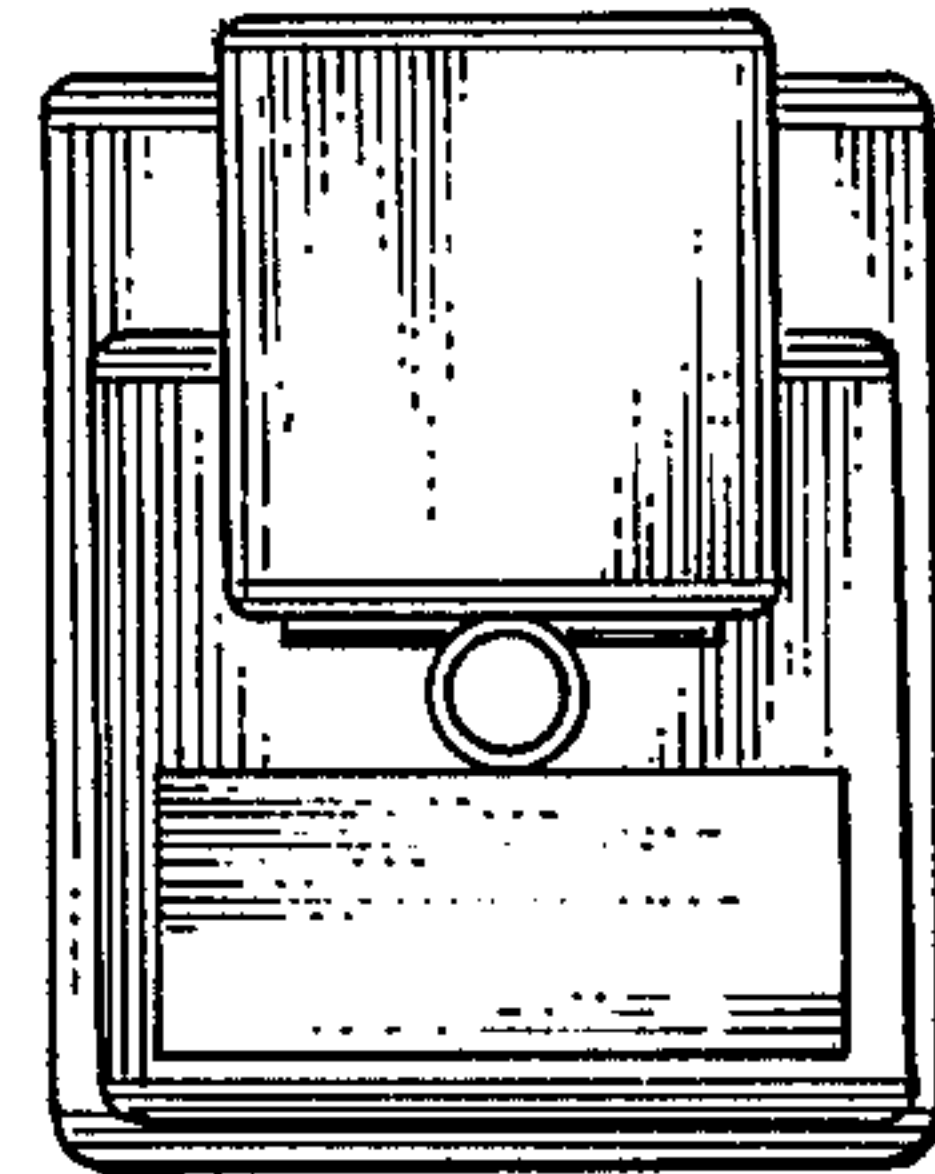
*Fig. 4*



*Fig. 6*



*Fig. 5*



*Fig. 7*

