

[54] CAN END

DESCRIPTION

[75] Inventors: Alan G. Dalli, Warrandyte; Peter L. Revill, Middle Park, both of Australia

[73] Assignee: The Broken Hill Proprietary Company Limited, Victoria, Australia

[**] Term: 14 Years

[21] Appl. No.: 804,639

[22] Filed: Dec. 4, 1985

[30] Foreign Application Priority Data

Jun. 5, 1985 [AU]	Australia	1531/85
Jul. 17, 1985 [AU]	Australia	1909/85
[52] U.S. Cl.		D9/438
[58] Field of Search	D9/434, 499, 438, 368;	220/265-276

[56] References Cited

U.S. PATENT DOCUMENTS

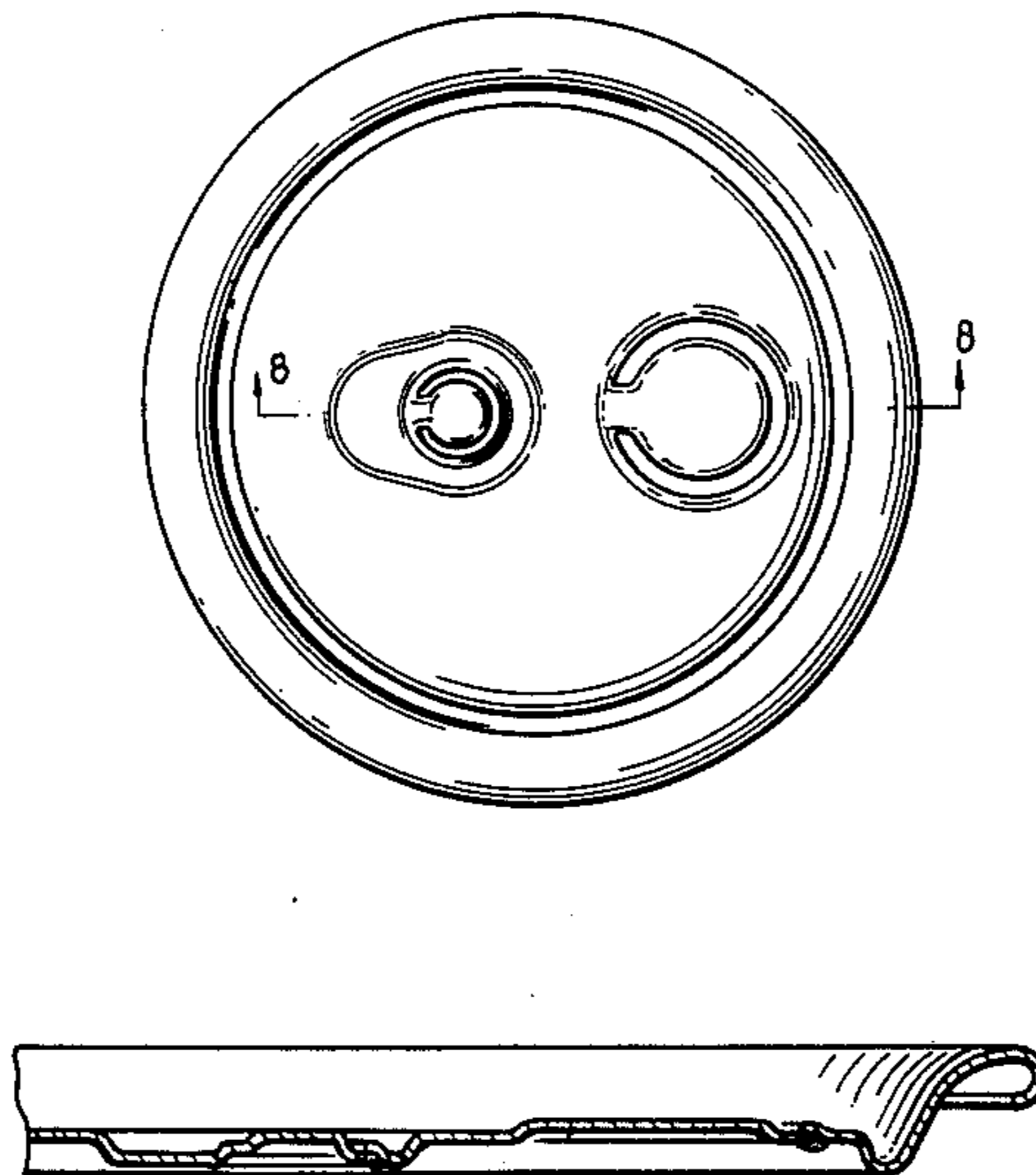
D. 226,171	1/1973	Holc et al.	D9/438
D. 248,623	7/1973	Gane	D9/438
D. 260,136	8/1981	Revill	D9/438

Primary Examiner—Bruce W. Dunkins
Attorney, Agent, or Firm—Armstrong, Nikaido, Marmelstein, Kubovcik & Murray

[57] CLAIM

The ornamental design for a can end, as shown and described.

FIG. 1 is a top plan view of a can end showing our new design;
 FIG. 2 is an enlarged fragmentary sectional view taken along the line 2—2 in FIG. 1;
 FIG. 3 is an enlarged fragmentary sectional elevation similar to FIG. 2 of a modified form of the design in FIGS. 1 and 2;
 FIG. 4 is a top plan view of a further modified form of the design in FIG. 1;
 FIG. 5 is an enlarged fragmentary sectional view taken along the line 5—5 in FIG. 4;
 FIG. 6 is an enlarged fragmentary sectional view similar to FIG. 5 of a modified form of the design in FIGS. 4 and 5;
 FIG. 7 is a top plan view of a modified form of the design in FIG. 1;
 FIG. 8 is an enlarged fragmentary sectional view taken along the line 8—8 in FIG. 7;
 FIG. 9 is an enlarged fragmentary sectional view similar to FIG. 8 of a modified form of the design in FIGS. 7 and 8;
 FIG. 10 is a top plan view of a modified form of the design in FIG. 1;
 FIG. 11 is an enlarged fragmentary sectional view taken along the line 11—11 in FIG. 10;
 FIG. 12 is a top plan view of a modified form of the design in FIG. 1;
 FIG. 13 is an enlarged fragmentary sectional view taken along the line 13—13 in FIG. 12;
 FIG. 14 is a top plan view of a modified form of the design in FIG. 1;
 FIG. 15 is an enlarged fragmentary sectional view taken along the line 15—15 in FIG. 14, and
 FIG. 16 is an enlarged fragmentary sectional view similar to FIG. 15 of a modified form of the design in FIGS. 14 and 15.



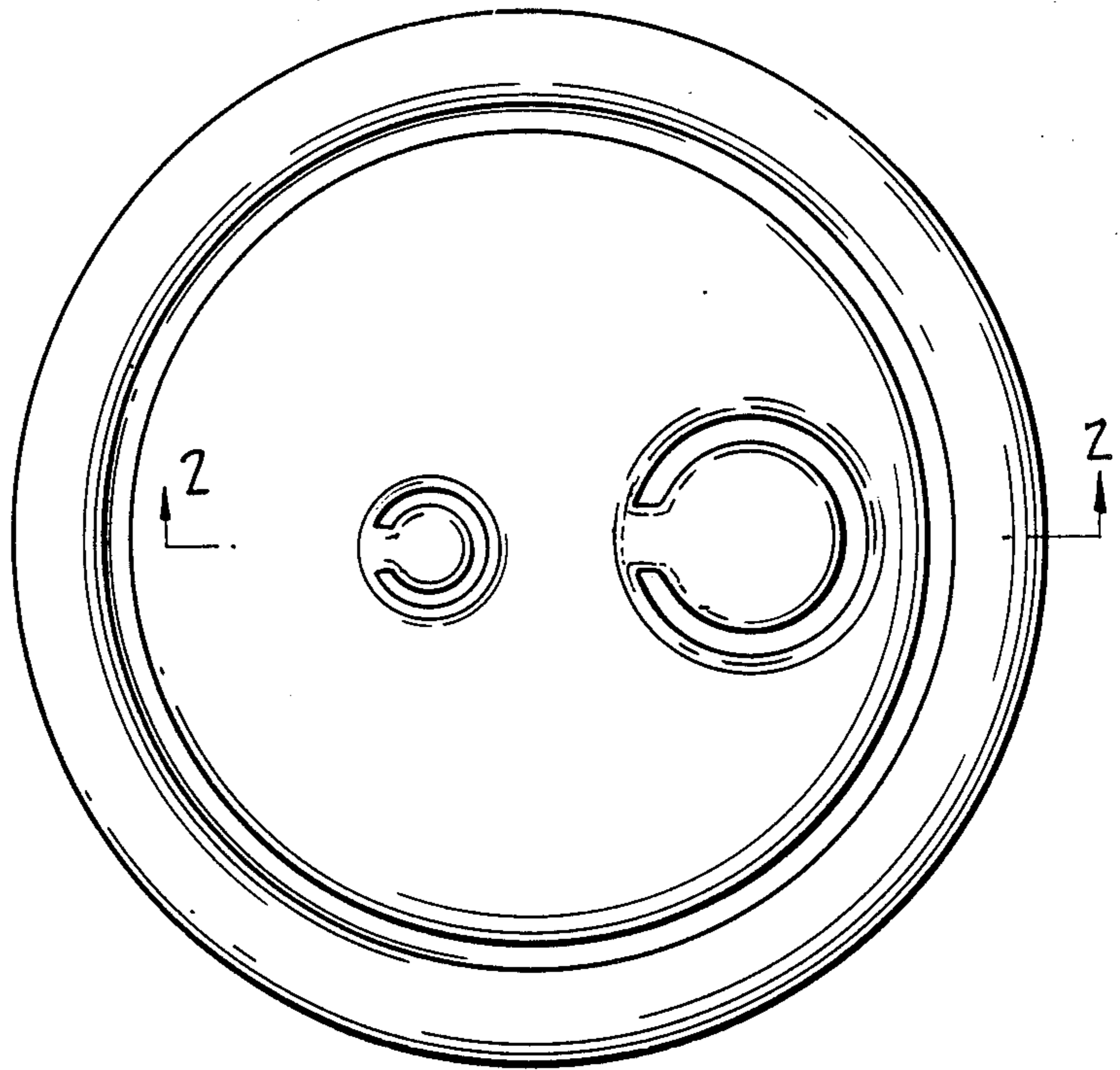


FIG. 1.

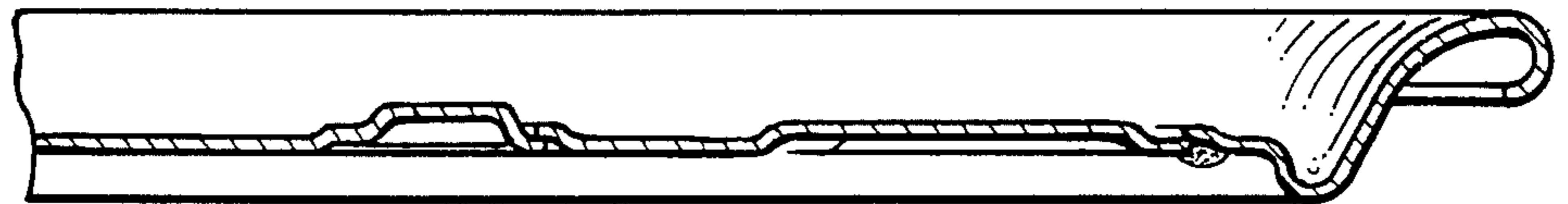


FIG. 2.

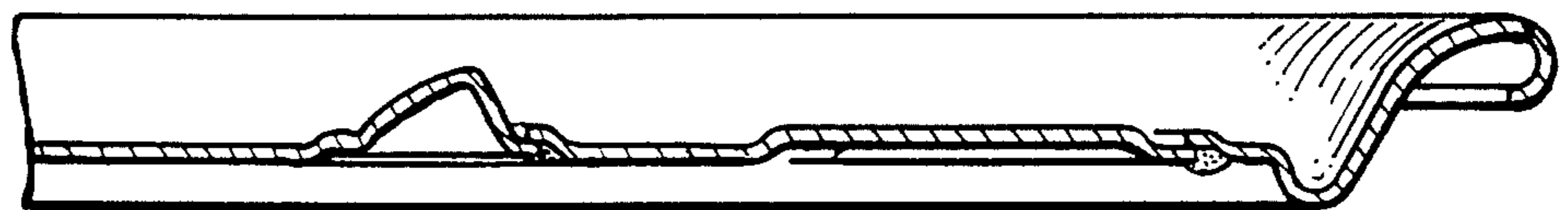


FIG. 3.

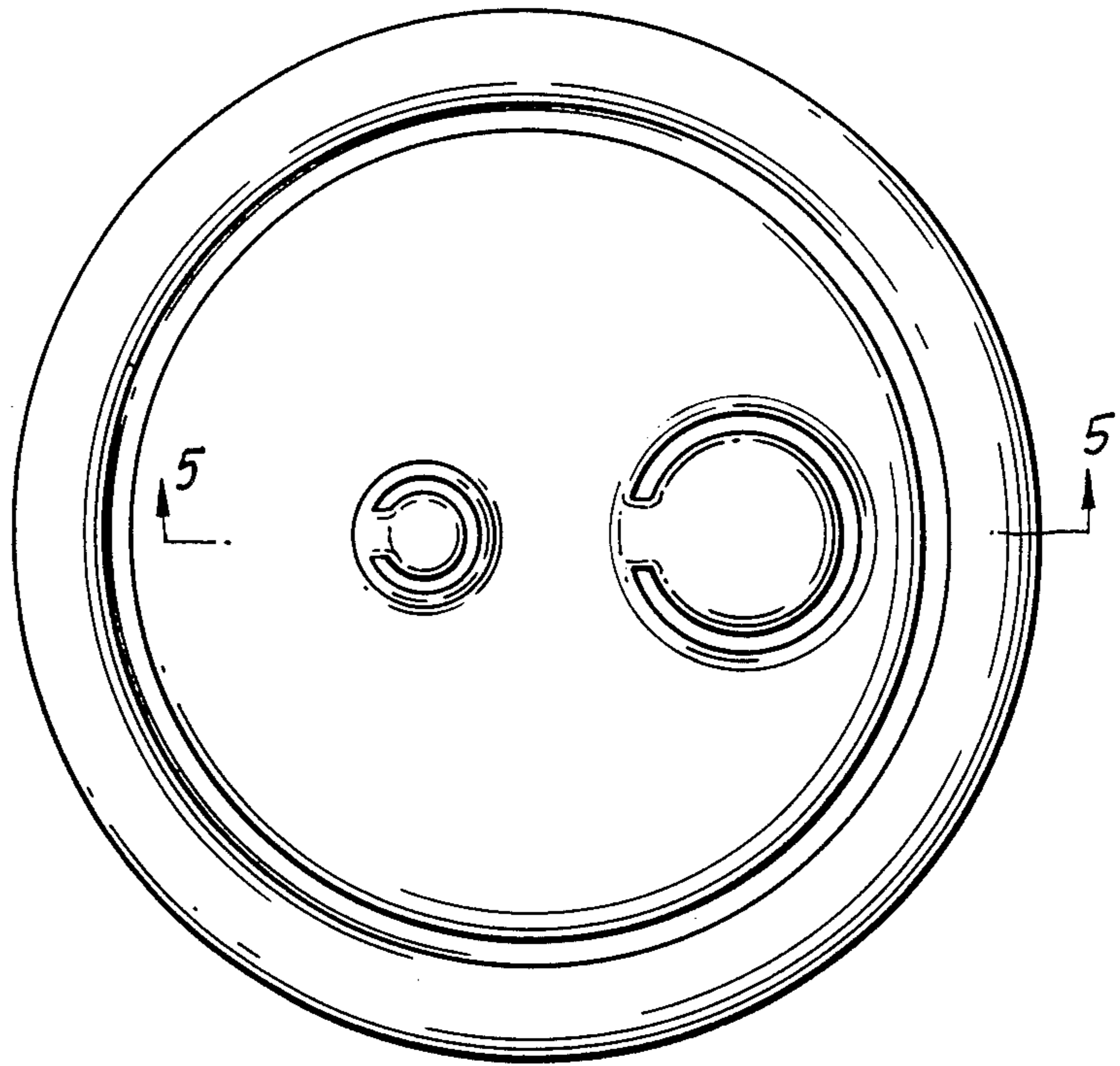


FIG. 4.

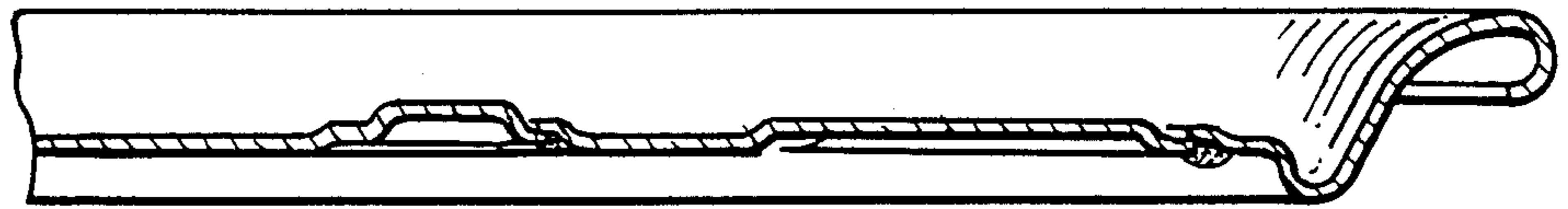


FIG. 5.

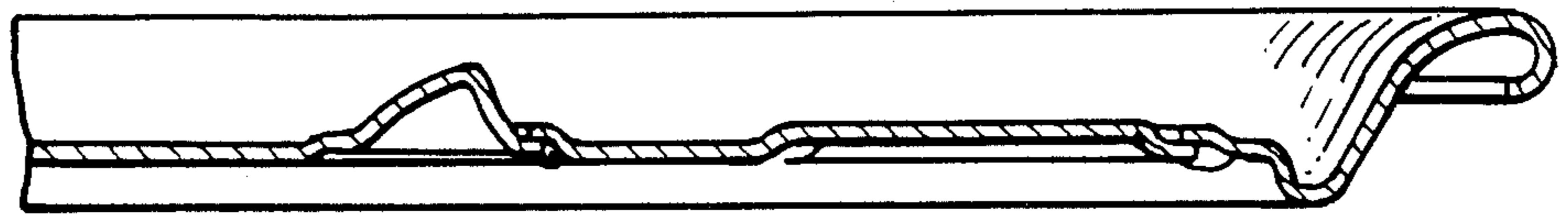


FIG. 6.

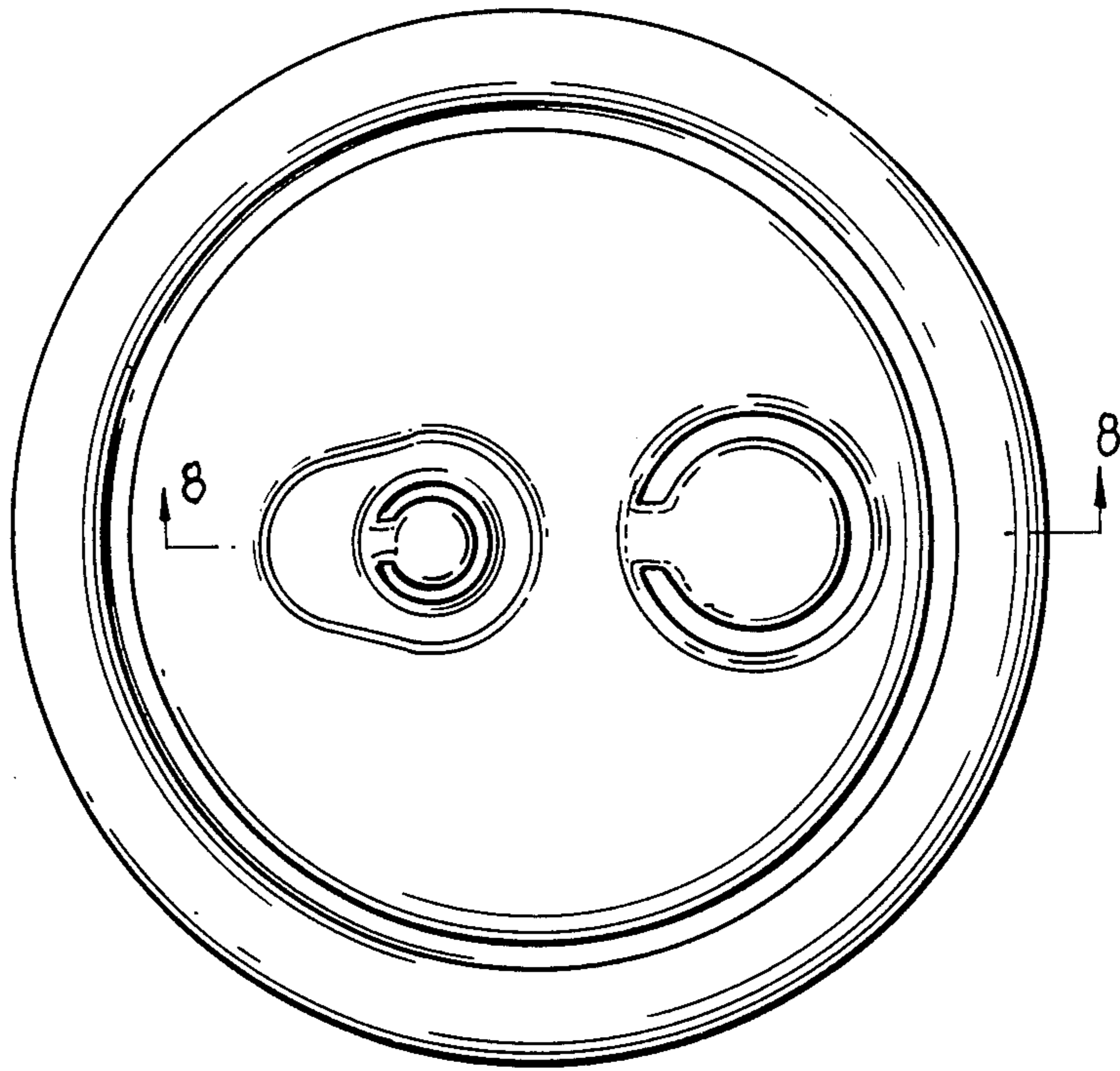


FIG. 7.

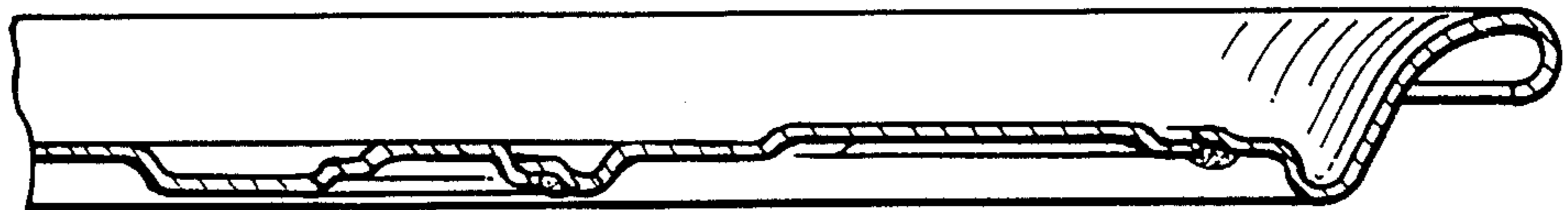


FIG. 8.

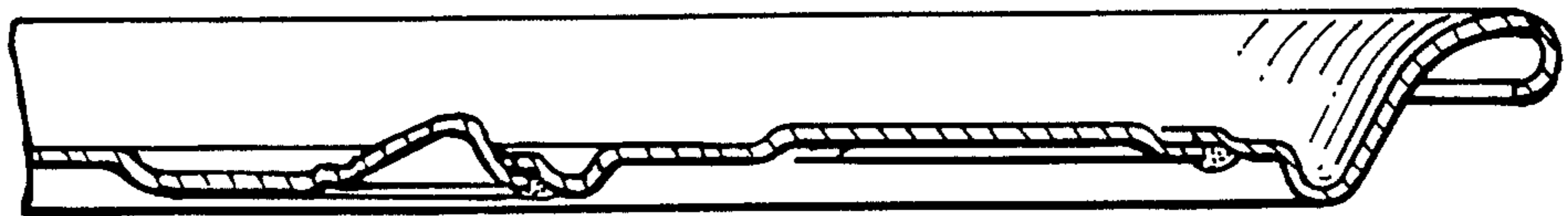


FIG. 9.

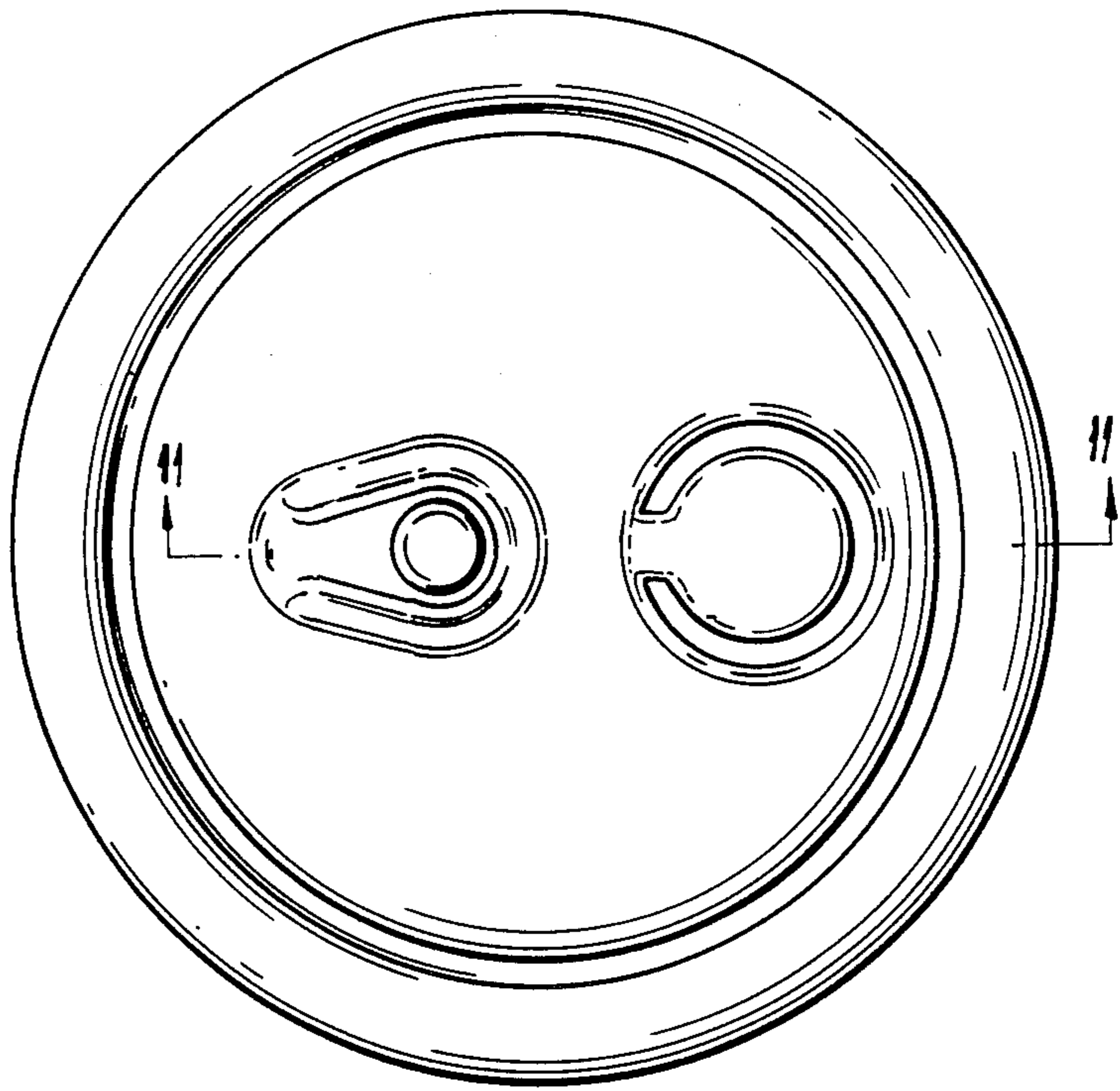


FIG. 10.

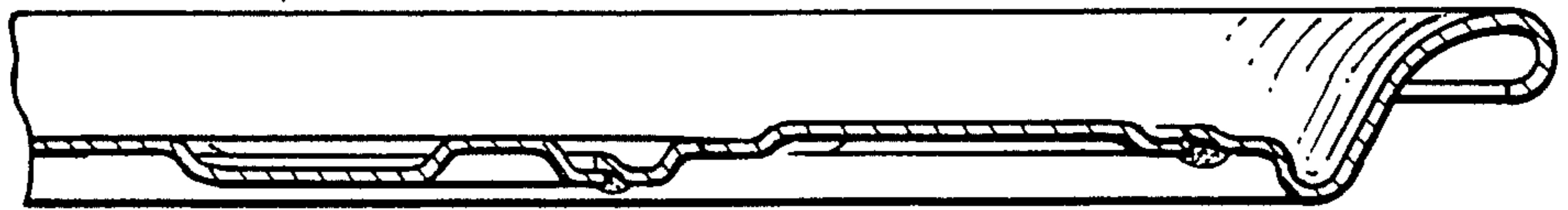


FIG. 11.

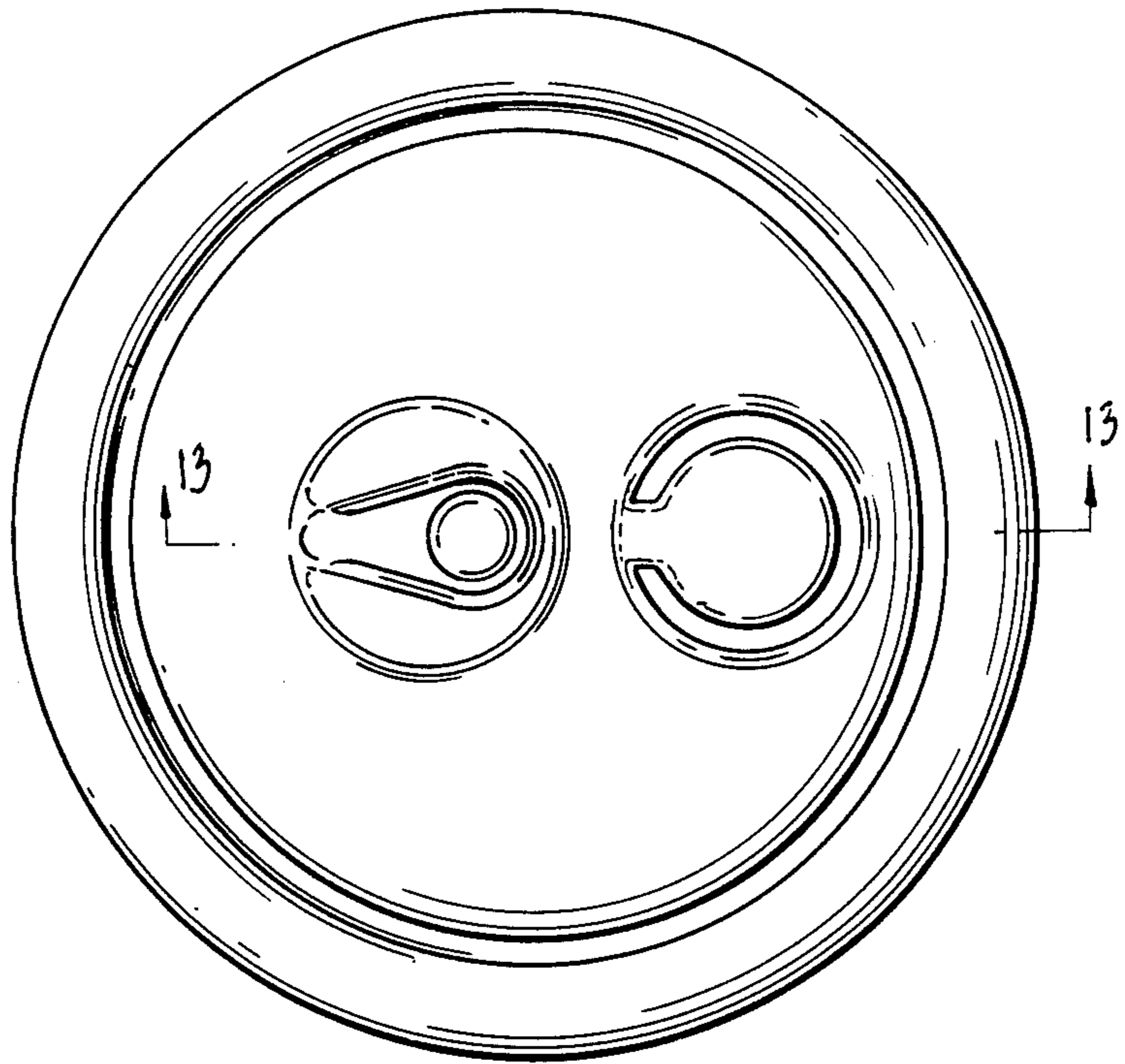


FIG. 12.

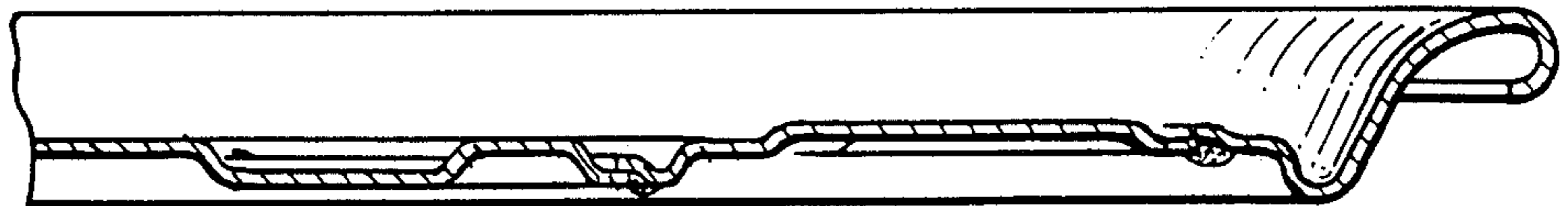


FIG. 13.

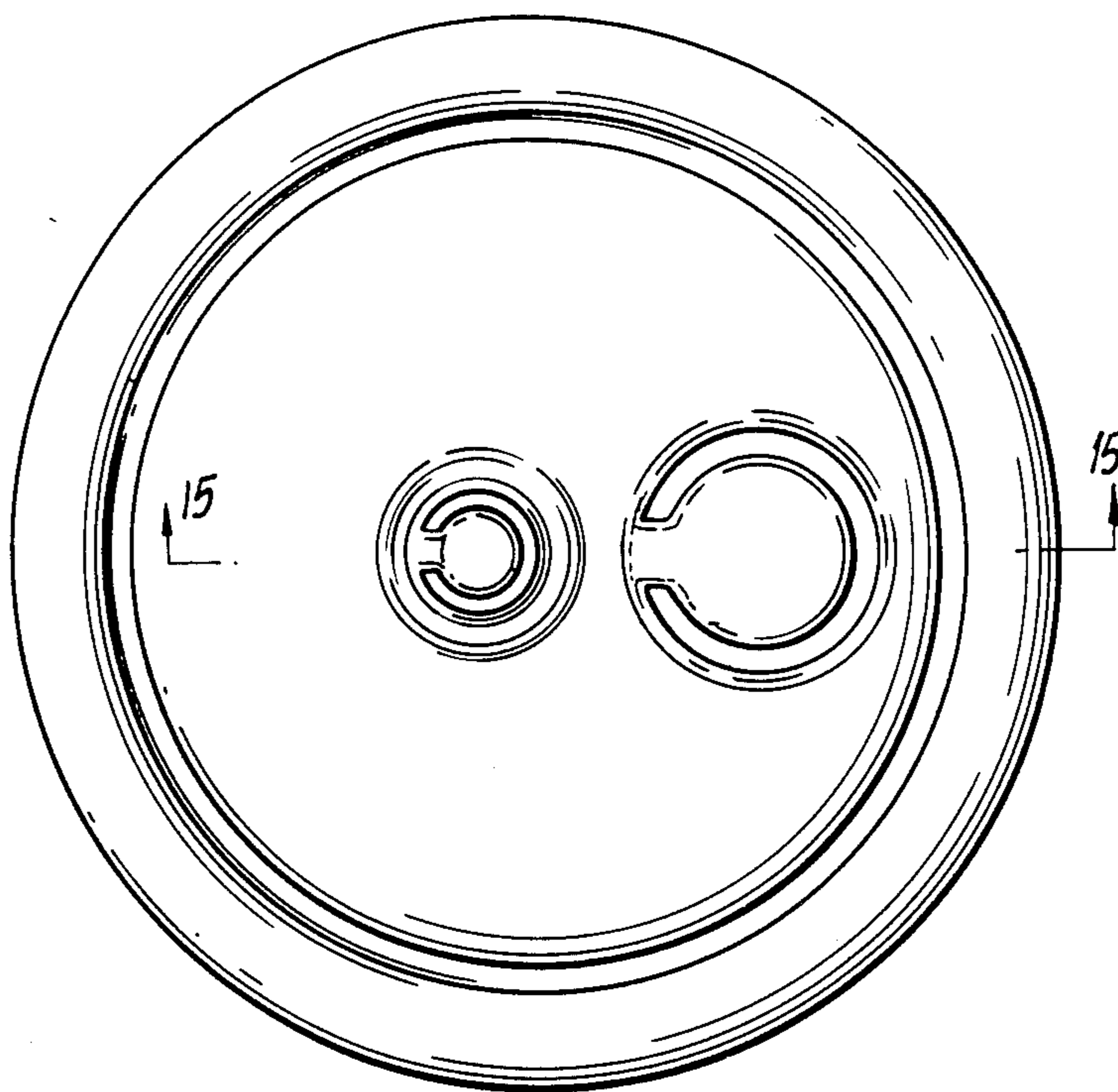


FIG. 14.

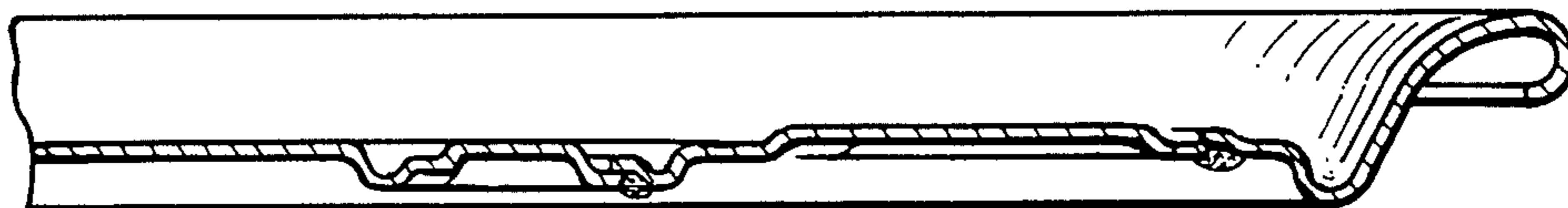


FIG. 15.

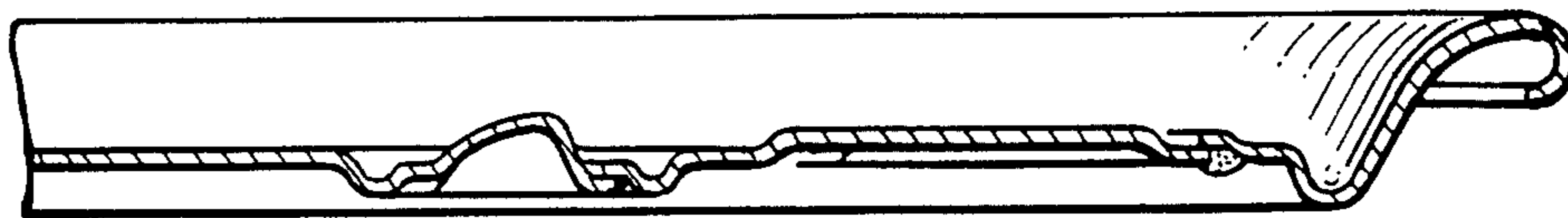


FIG. 16.