

- [54] **SOLDERABLE MOUNT FOR AN ELECTRONIC DEVICE**  
 [75] **Inventor: Alfred F. McCarthy, Belmont, N.H.**  
 [73] **Assignee: Aavid Engineering, Inc., Laconia, N.H.**  
 [\*\*] **Term: 14 Years**  
 [21] **Appl. No.: 869,072**  
 [22] **Filed: May 30, 1986**  
 [52] **U.S. Cl. .... D8/349; 361/386**  
 [58] **Field of Search ..... D8/349, 380; 361/386, 361/388; 174/16.3; 357/81**

4,517,585	5/1985	Ridout et al. ....	357/81
4,636,580	1/1987	Neidig et al. ....	174/16.3 X
4,646,203	2/1987	Ngo et al. ....	361/388
4,679,118	7/1987	Johnson et al. ....	361/386

**OTHER PUBLICATIONS**

Kungjord, 8/11/1972; M 592/1972: Items Nr 11, 10.

*Primary Examiner*—Horace B. Fay, Jr.

[57] **CLAIM**

The ornamental design for a solderable mount for an electronic device, as shown and described.

**DESCRIPTION**

FIG. 1 is a front, top and right side perspective view of a solderable mount for an electronic device showing my new design;

FIG. 2 is a top plan view thereof;

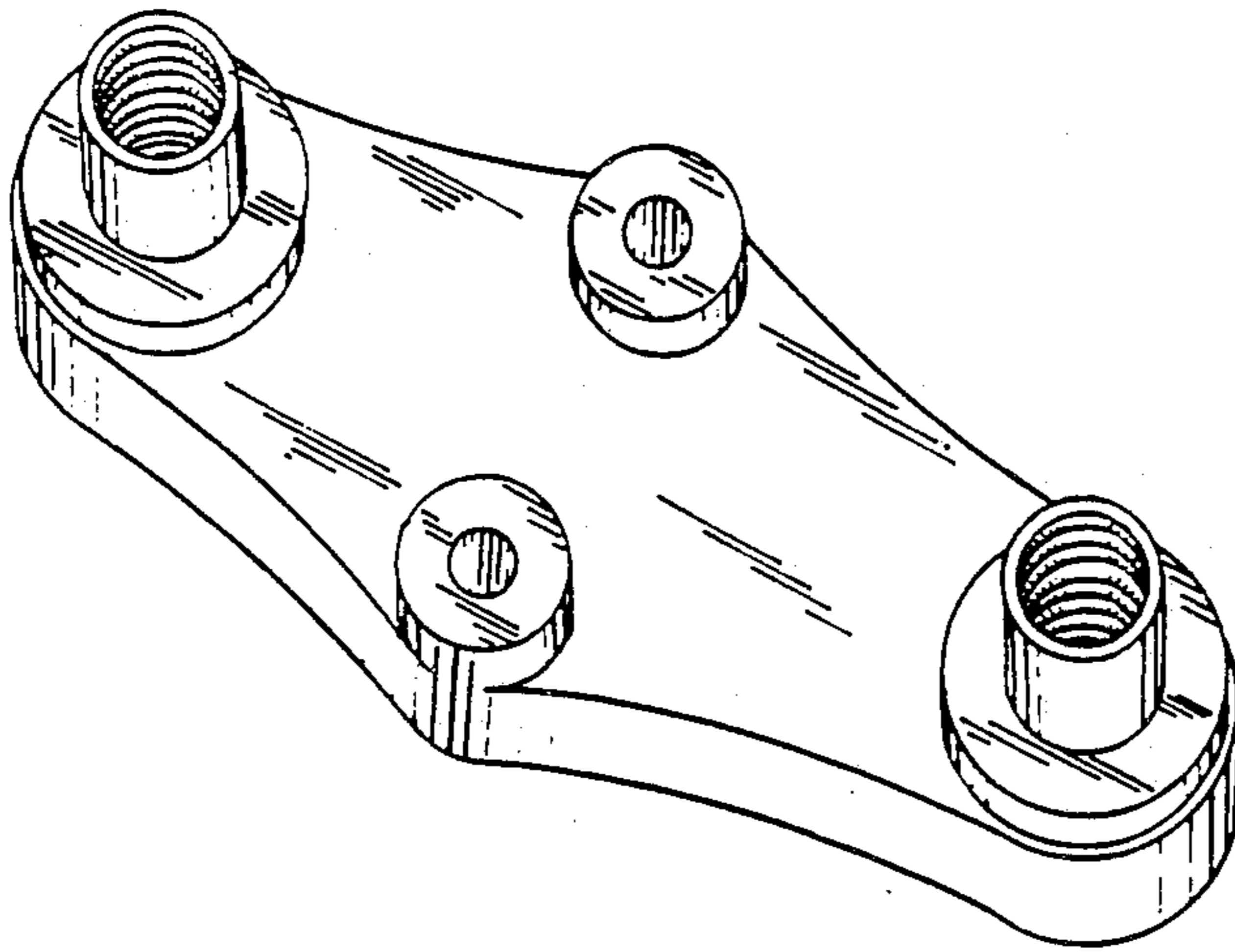
FIG. 3 is a bottom plan view thereof;

FIG. 4 is a left side elevational view thereof, the right side elevational view being identical; and

FIG. 5 is a front elevational view thereof, the rear elevational view being identical.

[56] **References Cited**  
**U.S. PATENT DOCUMENTS**

D. 265,969	5/1982	Koessler .....	D8/354
D. 288,289	2/1987	Reiker .....	D8/354 X
3,248,471	4/1966	Danchuk et al. ....	174/16.3
3,396,361	8/1968	Sussman .....	174/16.3 X
4,231,240	11/1981	Fujita et al. ....	D8/349 X
4,446,504	5/1984	Jordon et al. ....	361/386



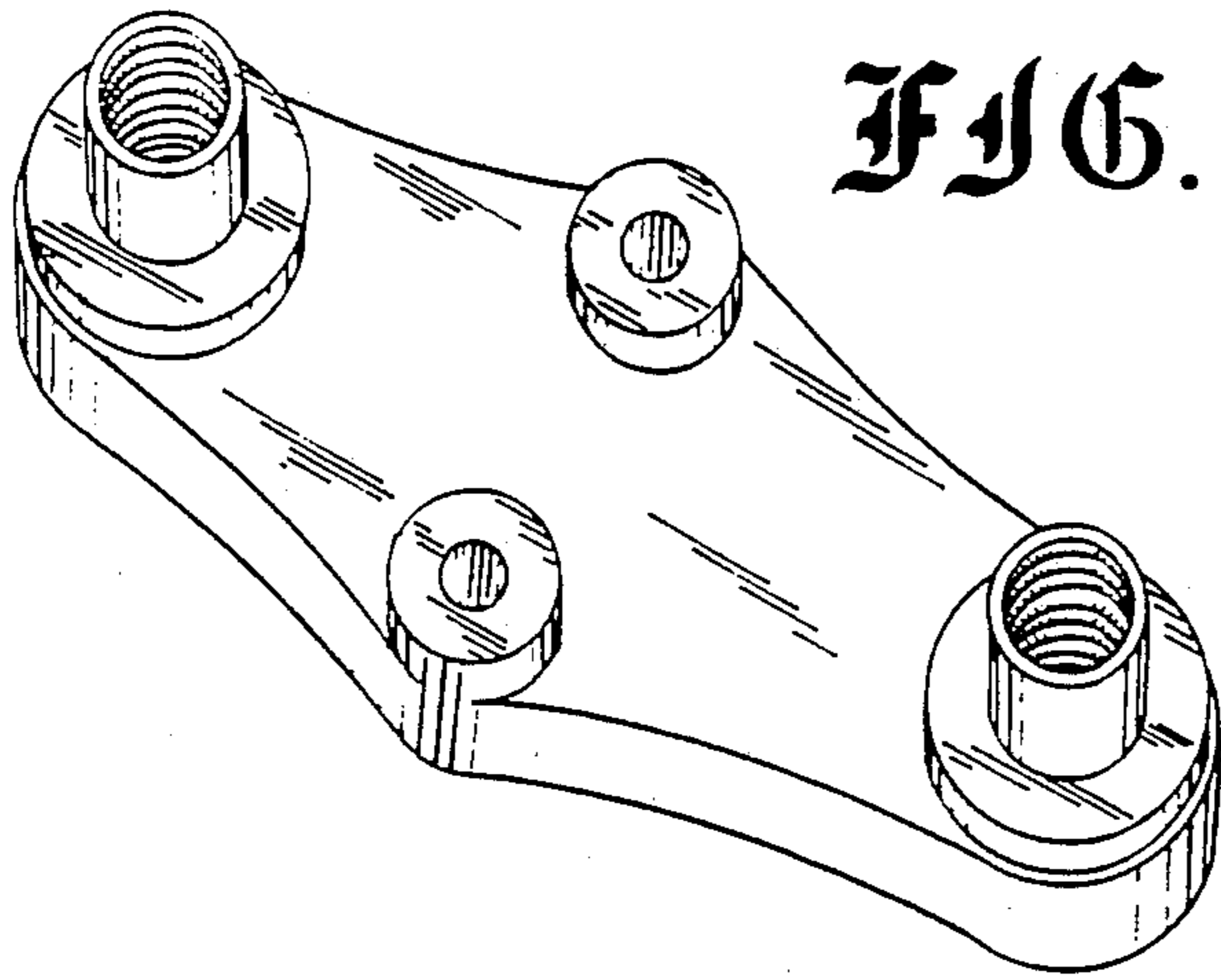


FIG. 1

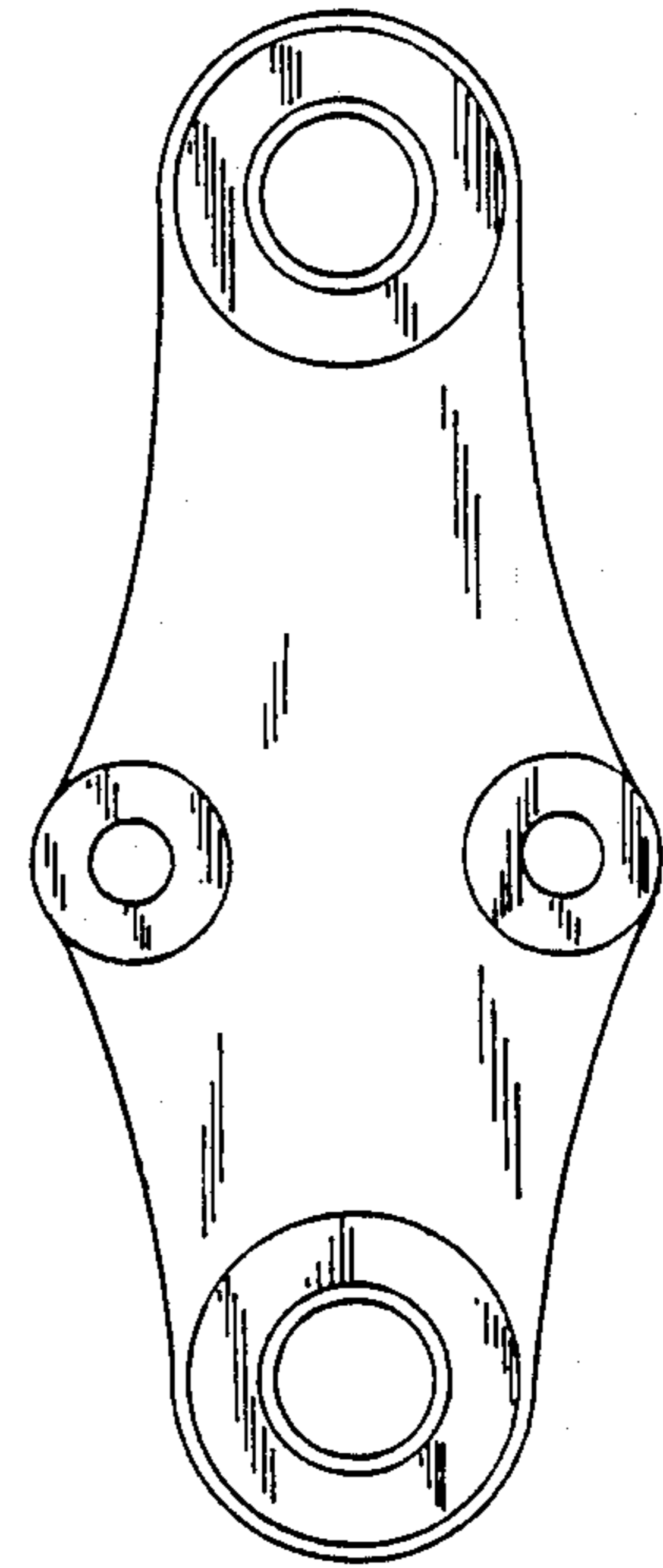


FIG. 2

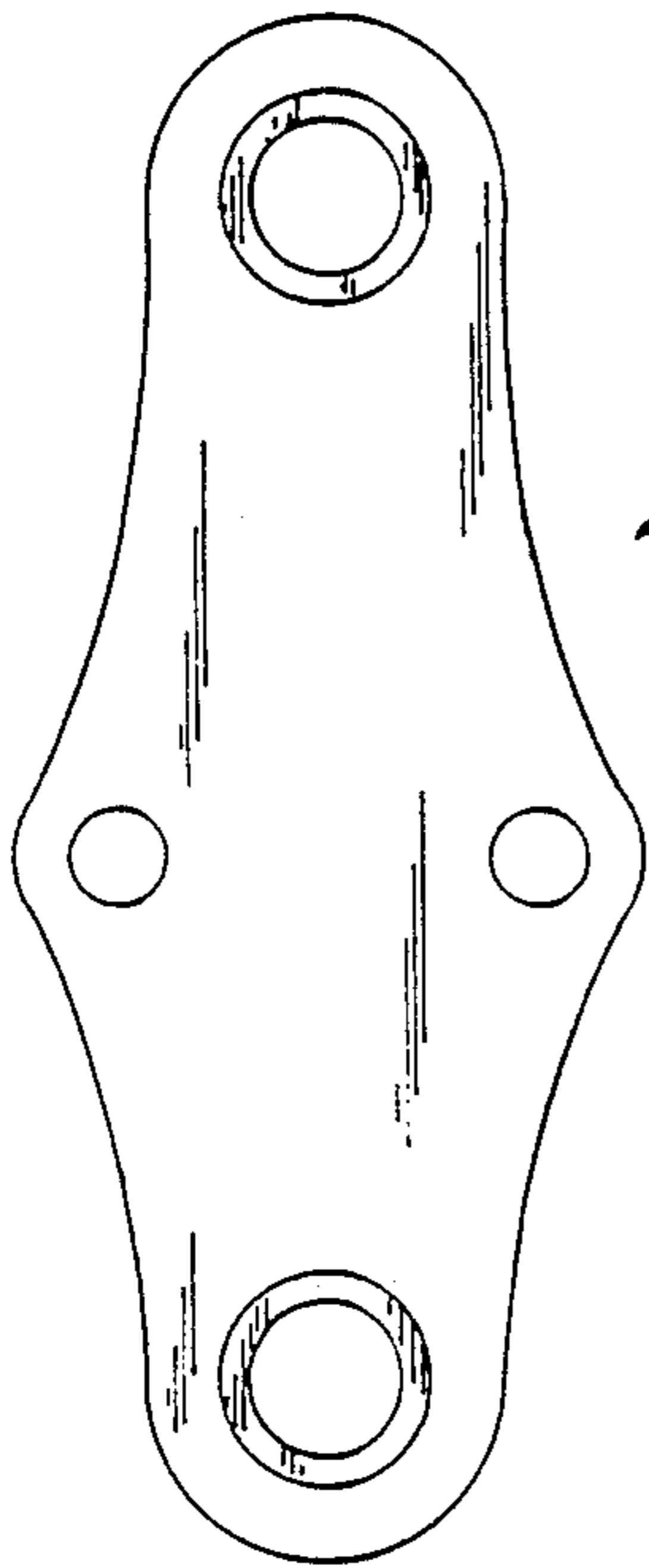


FIG. 3

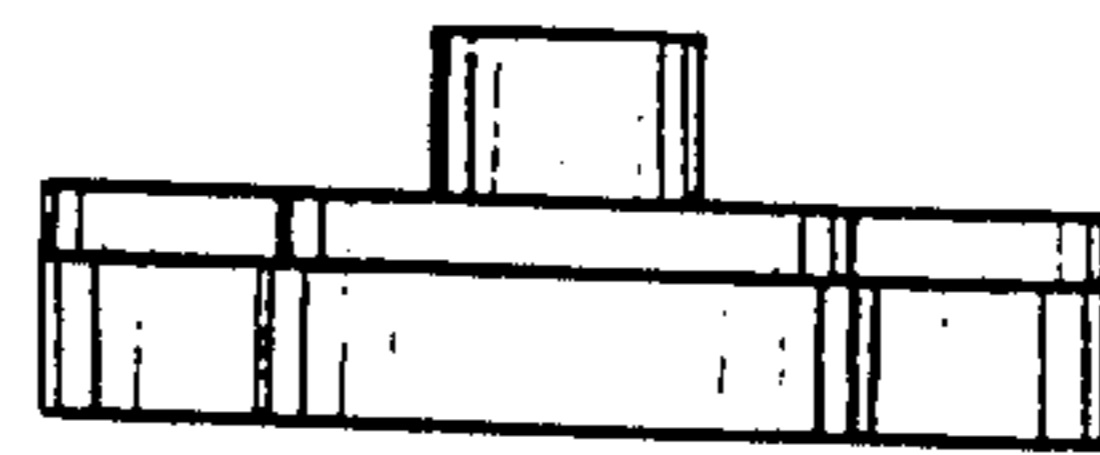


FIG. 4

FIG. 5

