

United States Patent [19]

Bobrowski

[11] **Patent Number: Des. 304,292**

[45] **Date of Patent: ** Oct. 31, 1989**

[54] **SURFACE MOUNTED LATCH BOLT**

[75] **Inventor: Louis G. Bobrowski, Berlin, Conn.**

[73] **Assignee: The Stanley Works, New Britain, Conn.**

[**] **Term: 14 Years**

[21] **Appl. No.: 130,662**

[22] **Filed: Dec. 9, 1987**

[52] **U.S. Cl. D8/341**

[58] **Field of Search D8/330-331,
D8/339, 341, 300, 311; 292/137, 145, 150, 163,
174-175**

[56] **References Cited**

U.S. PATENT DOCUMENTS

D. 210,153	2/1968	Pastva, Jr.	D8/341
D. 230,945	3/1974	Beckman	D8/341
D. 233,821	12/1974	Dahl et al.	D8/341
758,333	4/1904	Pfleghar .	
1,646,136	10/1927	Booth .	
1,653,015	12/1927	Koelln .	
2,100,622	11/1937	Adams	292/145
2,247,556	7/1941	Lazarides	292/152
2,672,040	3/1954	Komenak	D8/338 X

2,841,974	4/1958	Hensel	70/134
2,971,789	2/1961	Weaver	292/145
3,095,617	7/1963	Bruno	20/55
3,126,218	3/1964	Andrews	292/175
3,405,960	10/1968	Wargo	292/145
3,825,289	7/1974	Armstrong	292/2
4,193,619	3/1980	Jerila	292/168
4,334,492	6/1982	Klingler	D8/311 X
4,429,495	2/1984	Aoki	292/DIG. 38

Primary Examiner—Wallace R. Burke

Assistant Examiner—Brian N. Vinson

[57] **CLAIM**

The ornamental design for a surface mounted latch bolt, as shown and described.

DESCRIPTION

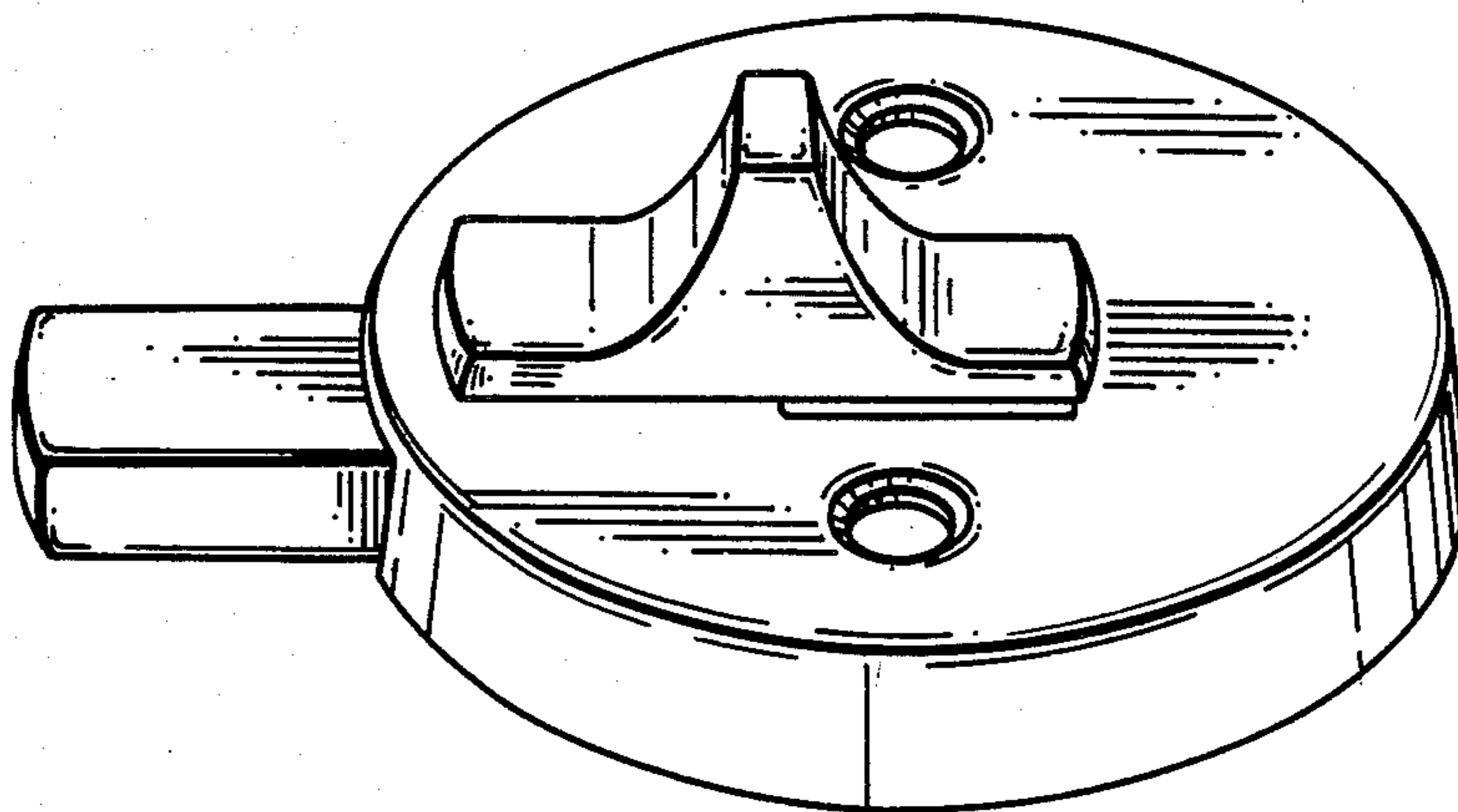
FIG. 1 is a perspective view of a surface-mounted latch bolt showing my new design;

FIG. 2 is an enlarged top plan view thereof;

FIG. 3 is an enlarged side elevational view thereof, the opposite side being a mirror image of that shown;

FIG. 4 is an enlarged front end elevational view thereof; and

FIG. 5 is a perspective view thereof, with the bolt shown in an extended position.



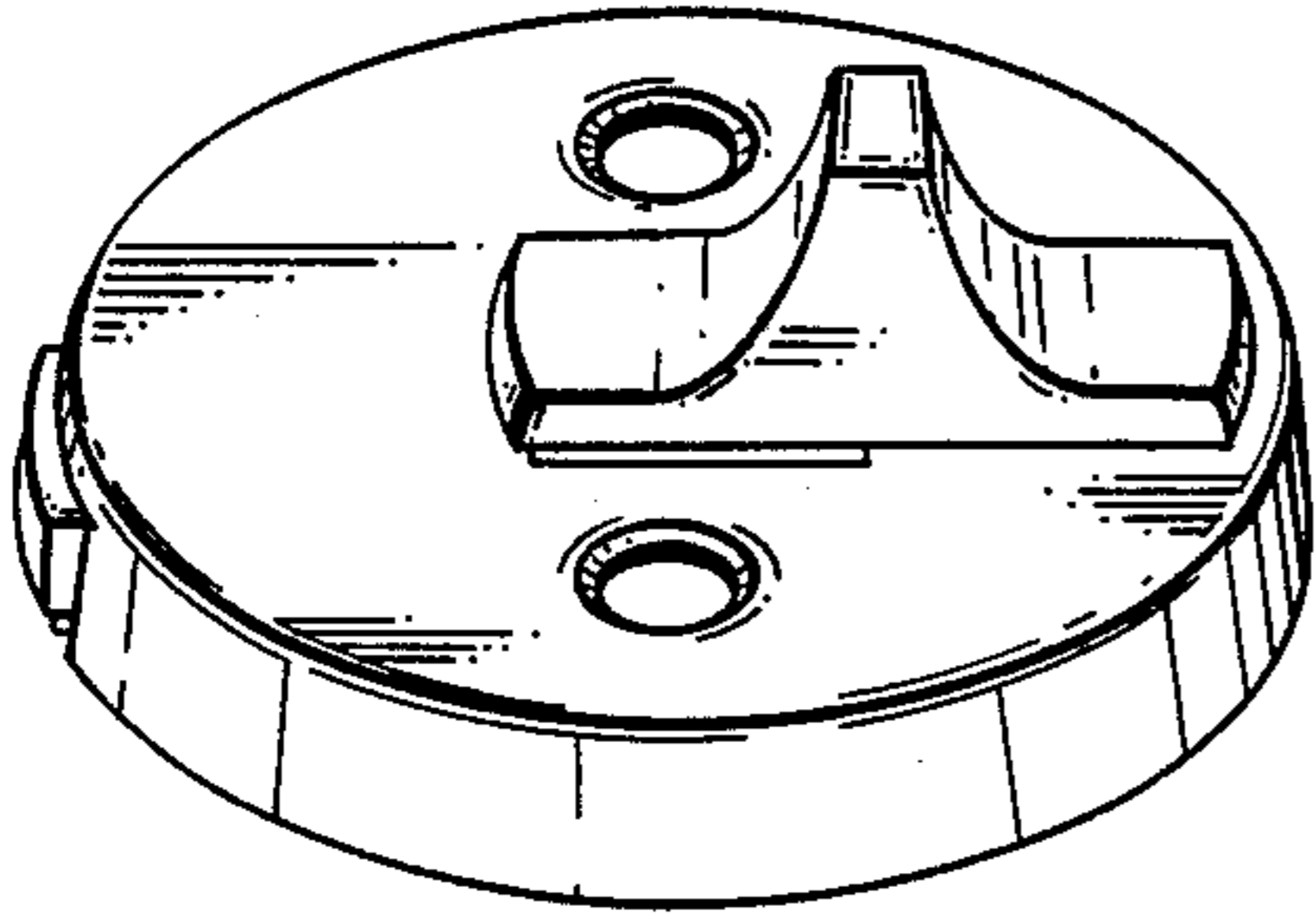


FIG. 1

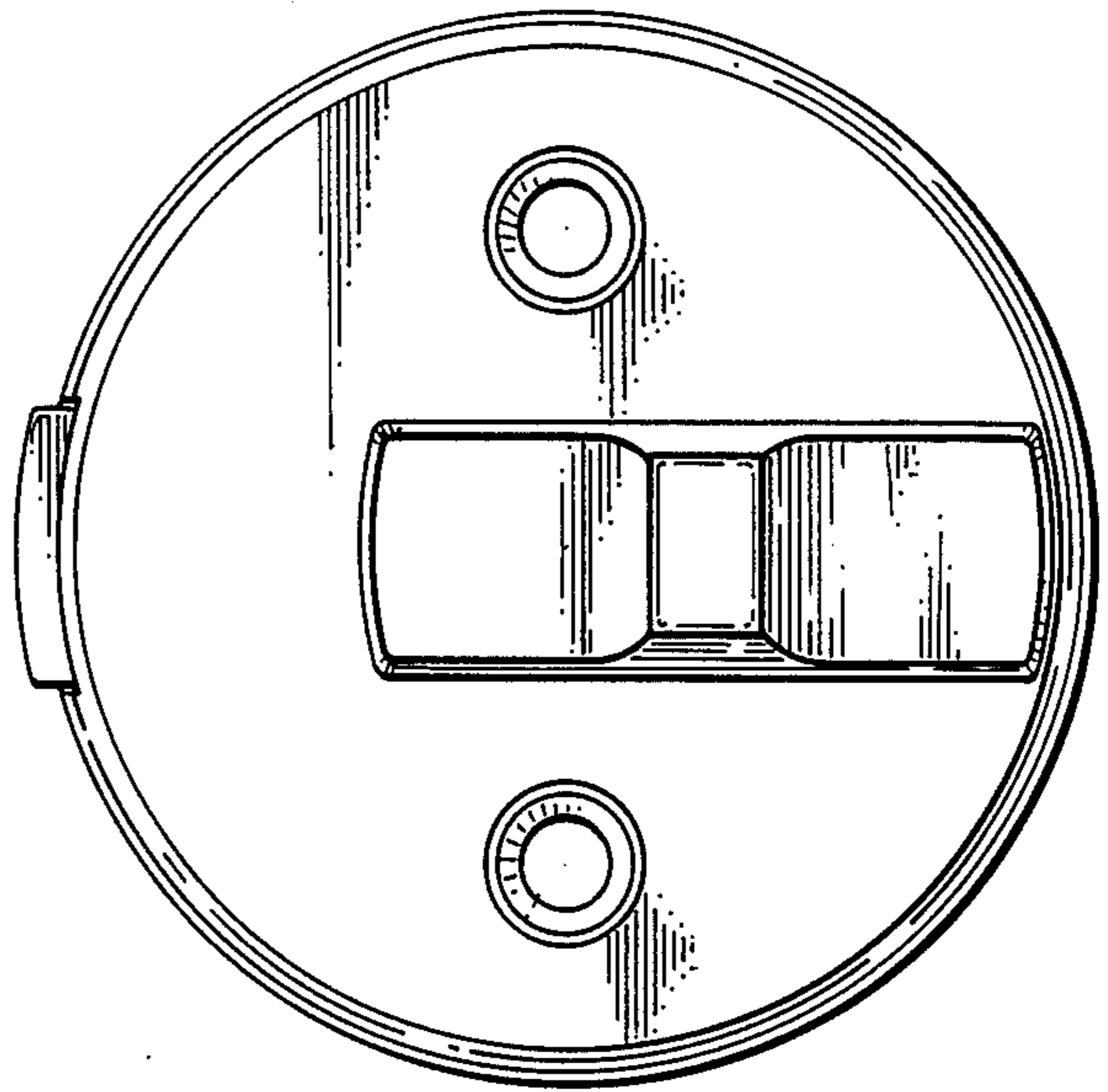


FIG. 2

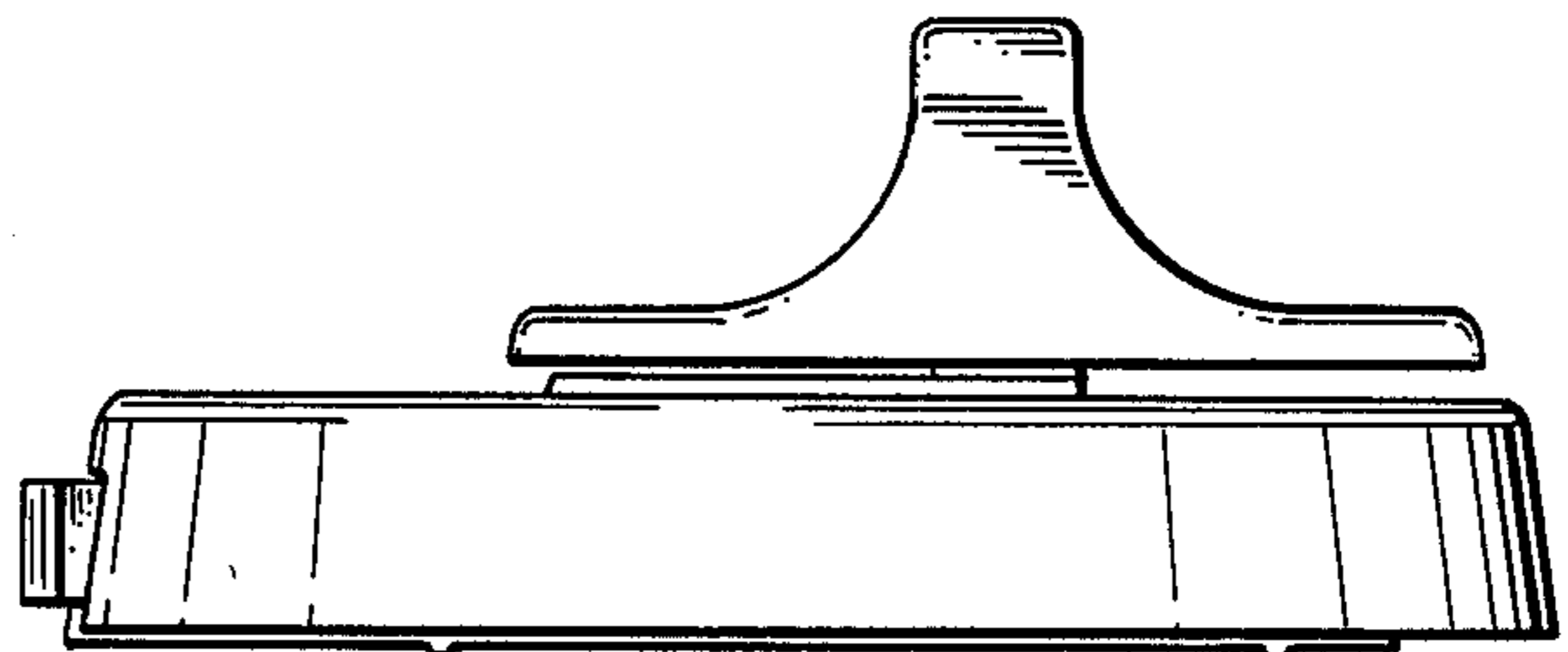


FIG. 3

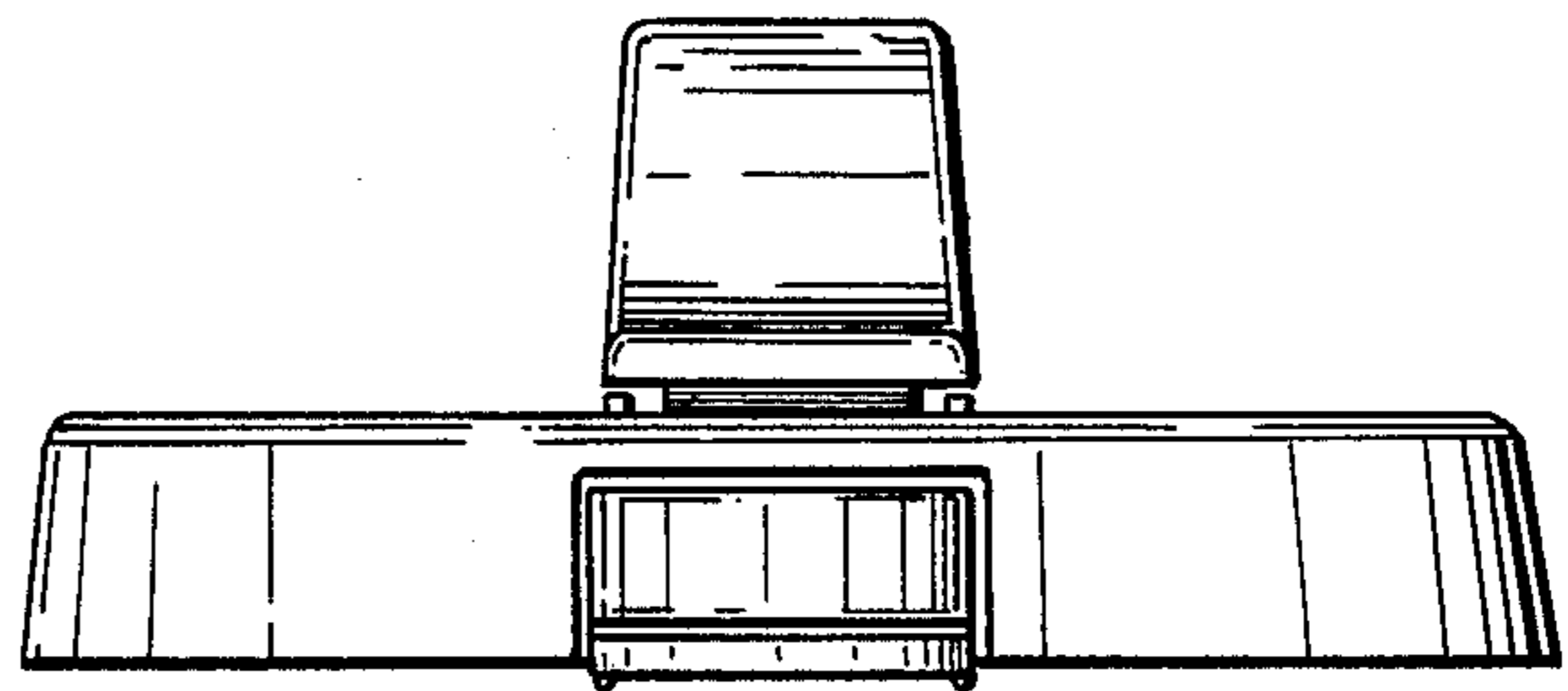


FIG. 4

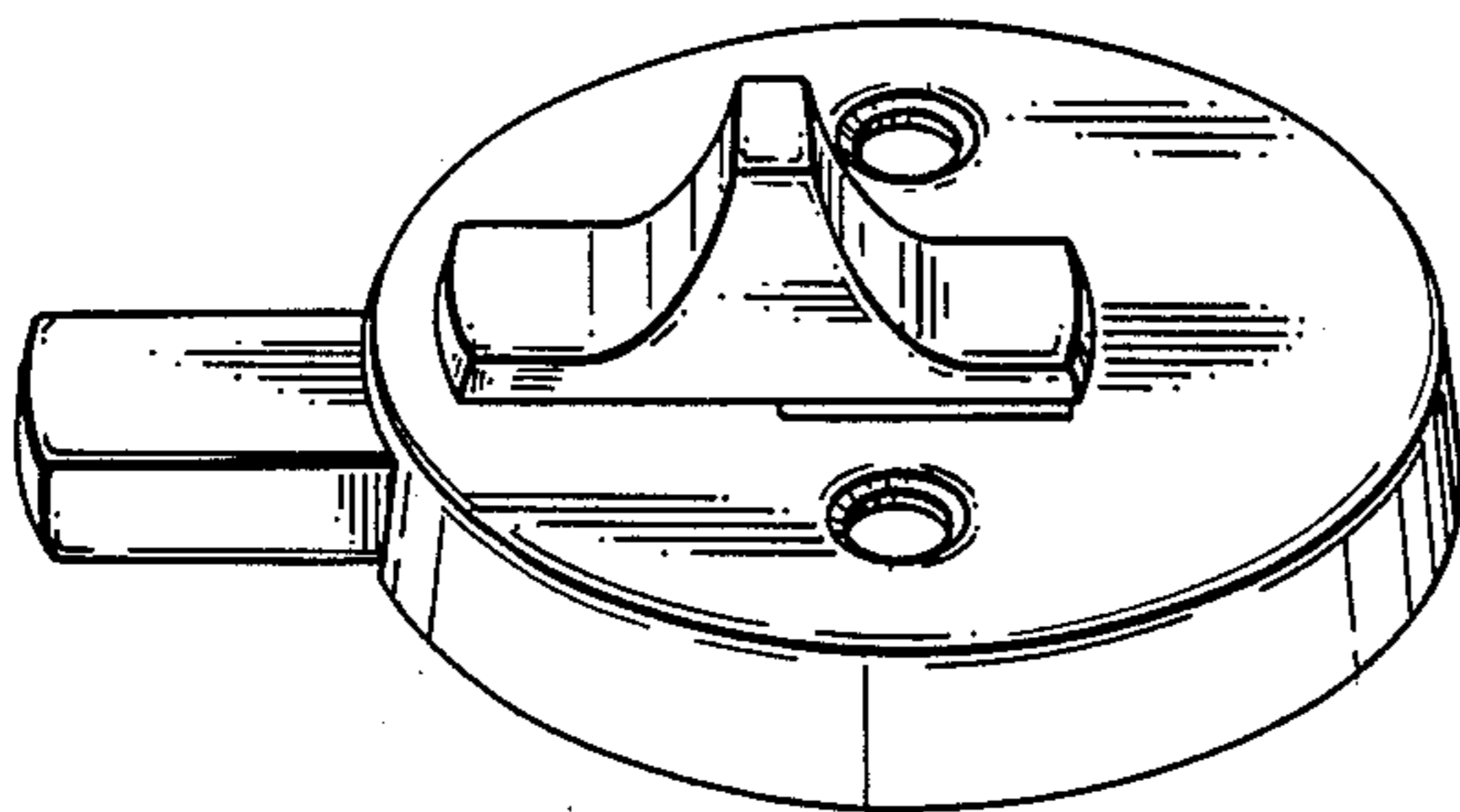


FIG. 5