

[54] COMBINED LATCH HOUSING AND INTERENGAGEABLE STRIKE PLATE

[75] Inventors: Lee S. Weinerman, Medina; Joel T. Vargus, Middleburg Heights, both of Ohio

[73] Assignee: The Eastern Company, Cleveland, Ohio

[**] Term: 14 Years

[21] Appl. No.: 109,421

[22] Filed: Oct. 16, 1987

[52] U.S. Cl. D8/331

[58] Field of Search D8/330-331, D8/339, 341, 342; 292/137, 169.11, 183, 189, 145, 147, 283, 342, DIG. 3, DIG. 23, DIG. 32

[56] References Cited

U.S. PATENT DOCUMENTS

- D. 48,834 3/1916 Sprung et al. .
- D. 292,369 10/1987 Greco D8/331
- D. 297,706 9/1988 Falk D8/331
- 4,620,736 11/1986 Shanks 293/116

OTHER PUBLICATIONS

Eberhard Manufacturing Company, Cleveland, Ohio, "Handbook of Latches, Locks, Hinges, Handles and Related Hardware," Catalog No. 103, pp. 33-36, Section 1, (bearing a copyright date of 1985).

Eberhard Manufacturing Co. catalog entitled "Eberhard Malleable Products", p. 95 (title page and copyright page also included), copyright date 1937.

Primary Examiner—Wallace R. Burke

Assistant Examiner—B. Vinson

Attorney, Agent, or Firm—David A. Burge

[57] CLAIM

The ornamental design for a combined latch housing and interengageable strike plate, as shown and described.

DESCRIPTION

FIG. 1 is a top, front and left side perspective view of a combined latch housing and interengageable strike plate showing our new design;

FIG. 2 is a bottom, front and right side perspective view thereof;

FIG. 3 is a front elevational view thereof;

FIG. 4 is a right side elevational view thereof;

FIG. 5 is a top plan view thereof;

FIG. 6 is a bottom plan view thereof;

FIG. 7 is a rear elevational view thereof;

FIG. 8 is a left side elevational view thereof;

FIG. 9 is an exploded perspective view thereof;

FIG. 10 is a rear elevational view of the latch housing portion thereof, the strike plate being omitted for clarity of illustration;

FIG. 11 is a right side elevational view of the latch housing thereof;

FIG. 12 is a bottom plan view of the latch housing thereof;

FIG. 13 is a top plan view of the latch housing thereof;

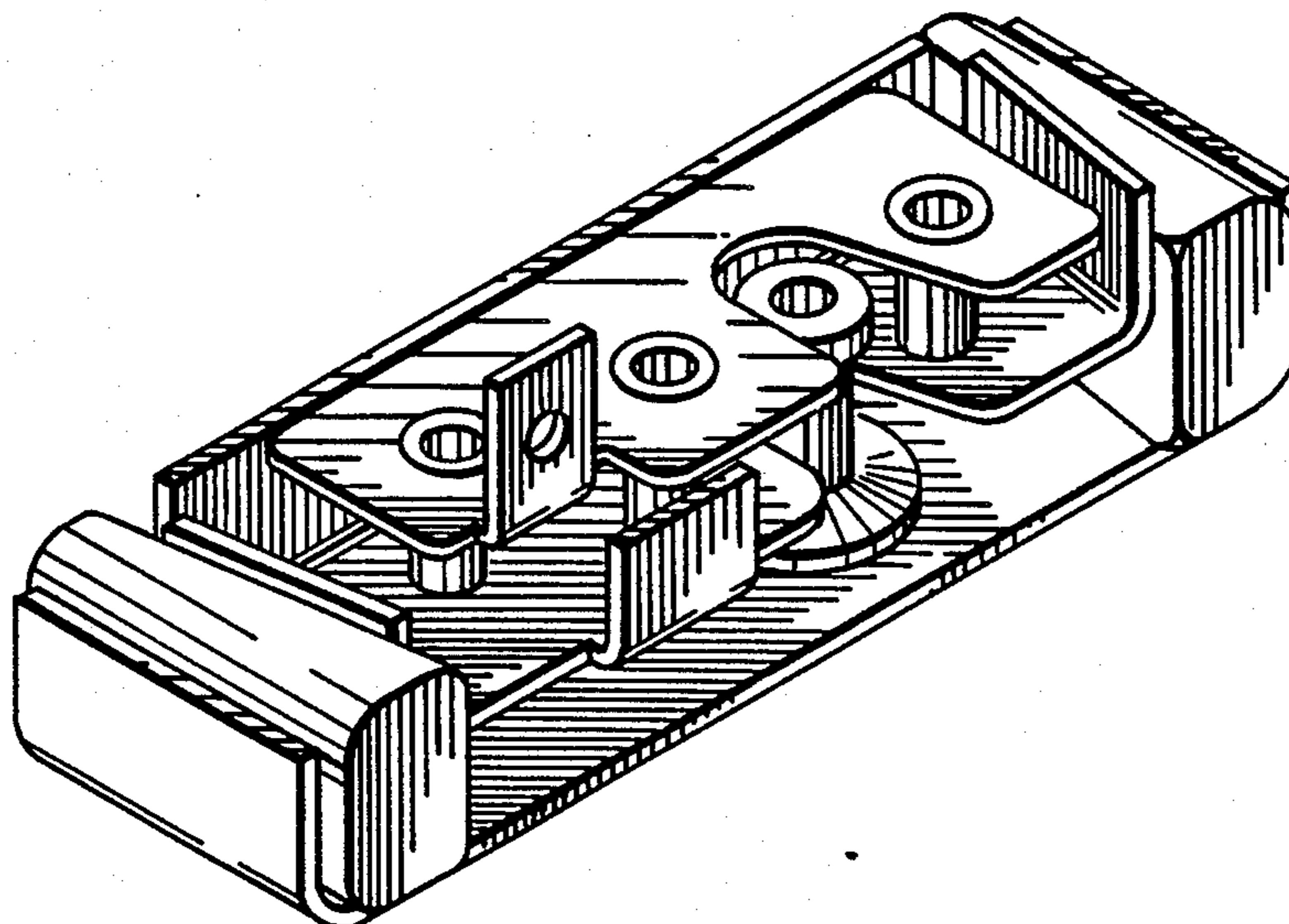
FIG. 14 is a left side elevational view of the latch housing thereof;

FIG. 15 is a left side elevational view of the strike plate portion thereof, the latch housing being omitted for clarity of illustration;

FIG. 16 is a rear elevational view of the strike plate thereof;

FIG. 17 is a perspective view thereof, with the broken-line showing of the rotary locking elements being for illustrative purposes only and forming no part of the claimed design; and,

FIG. 18 is an exploded perspective view thereof.



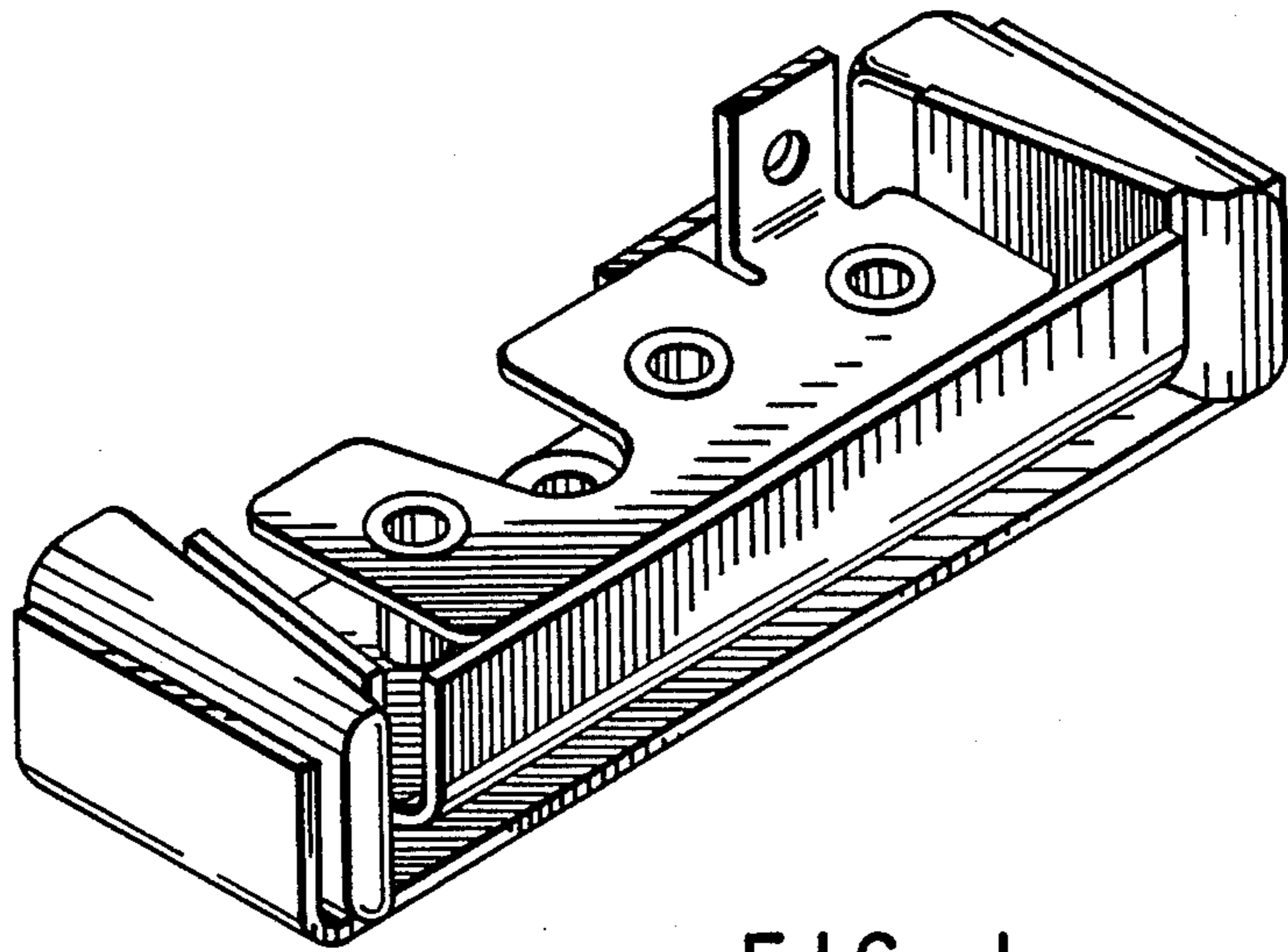


FIG. 1

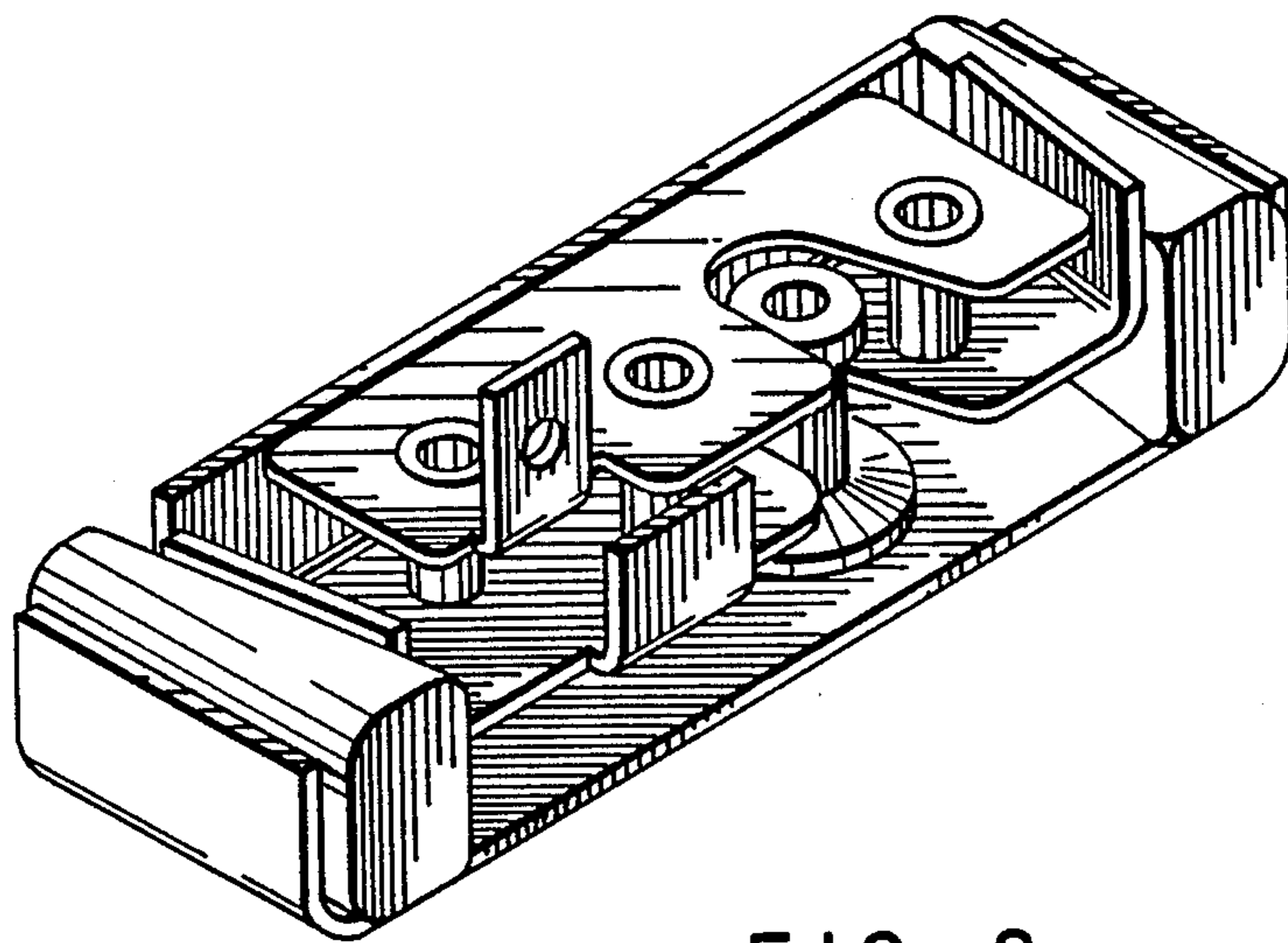


FIG. 2

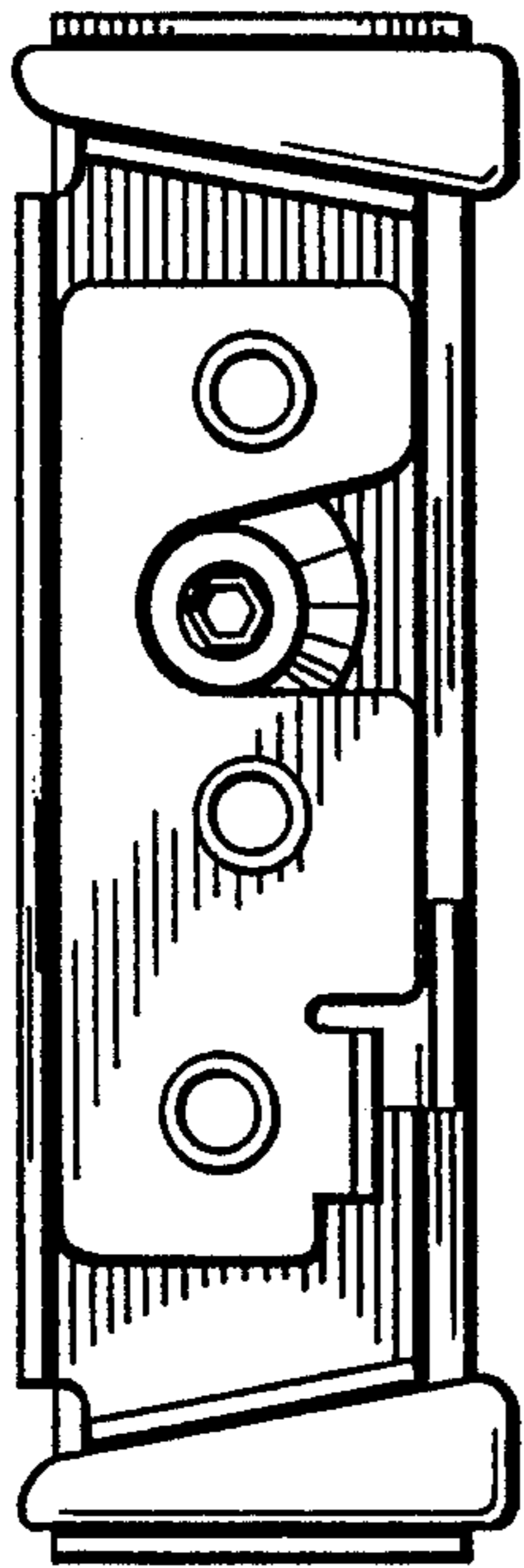


FIG. 3

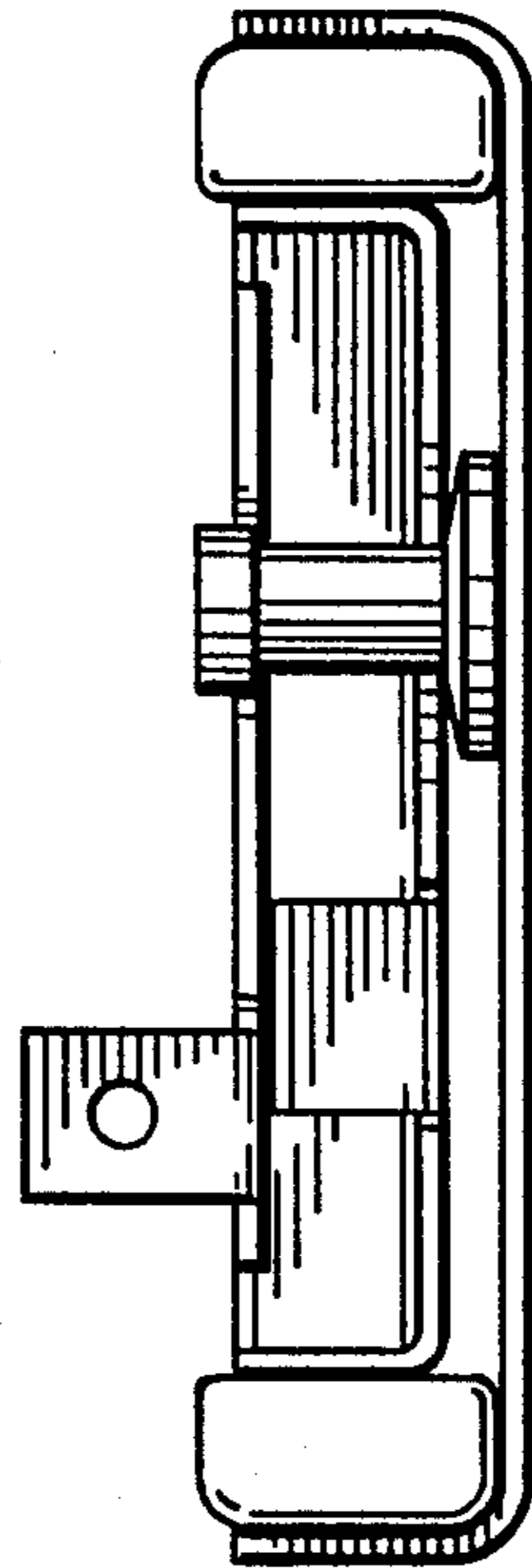


FIG. 4

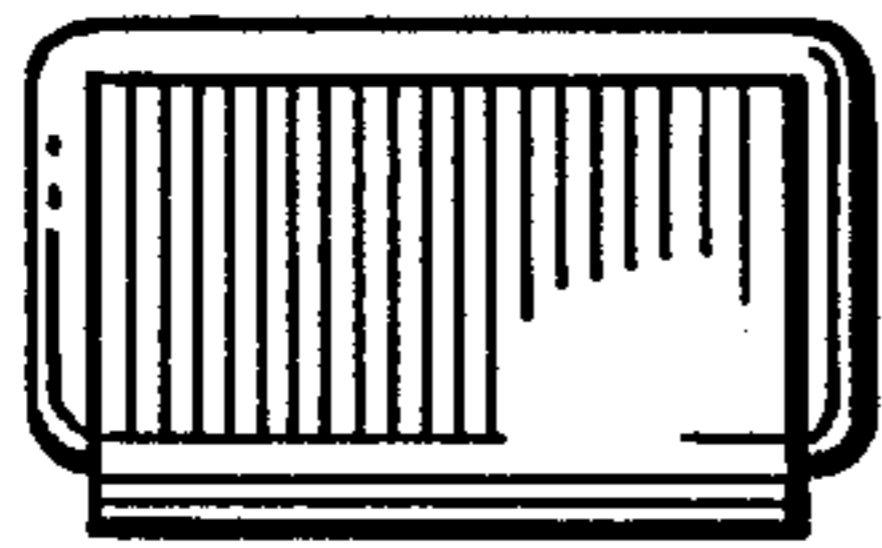


FIG. 5

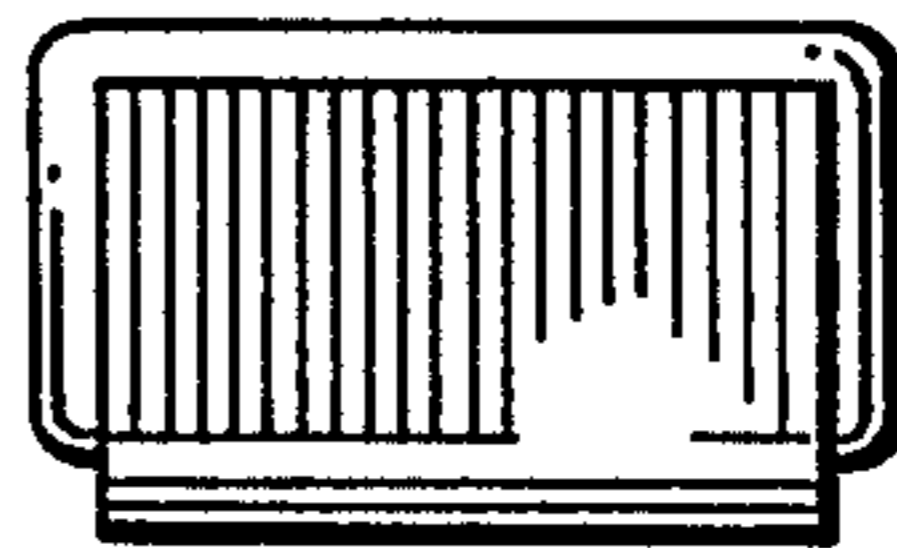


FIG. 6

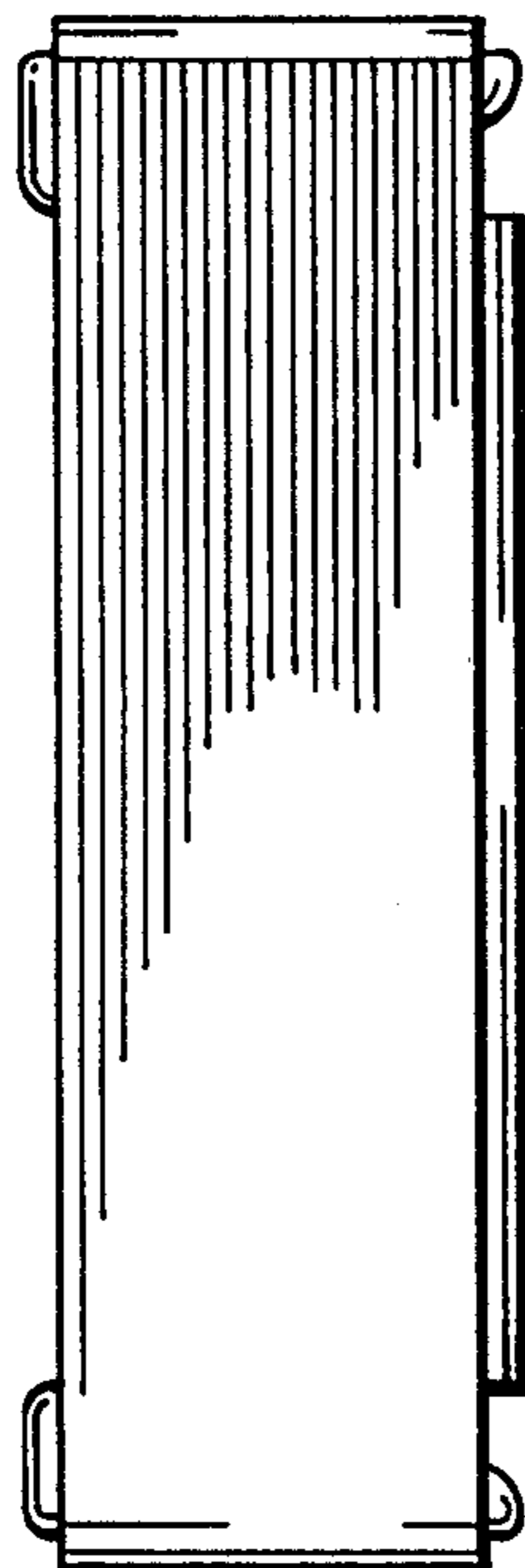


FIG. 7

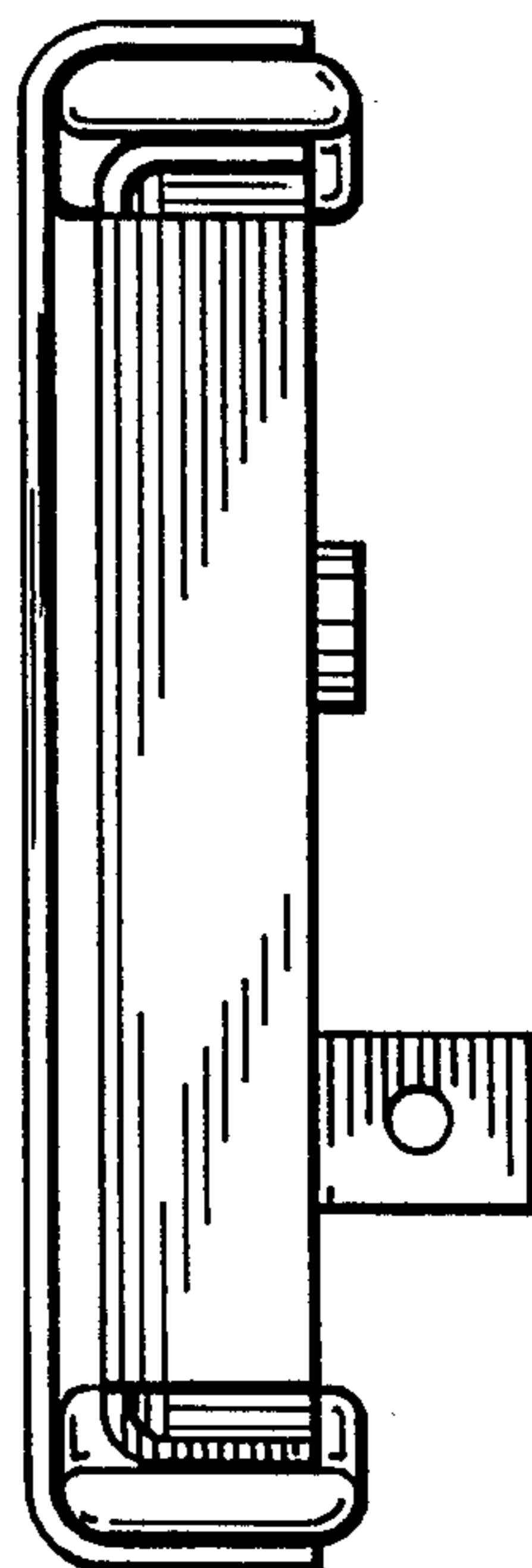


FIG. 8

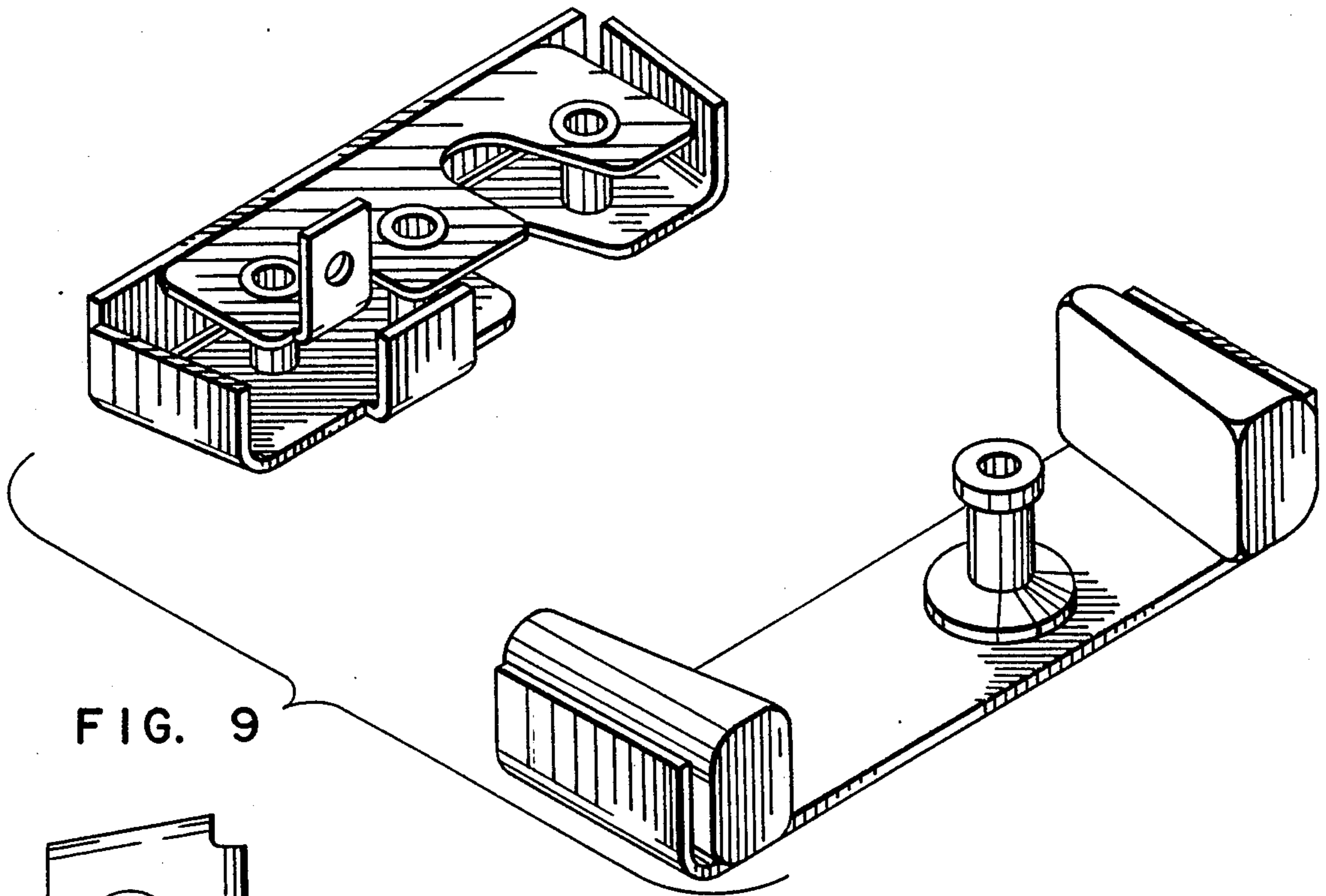


FIG. 9

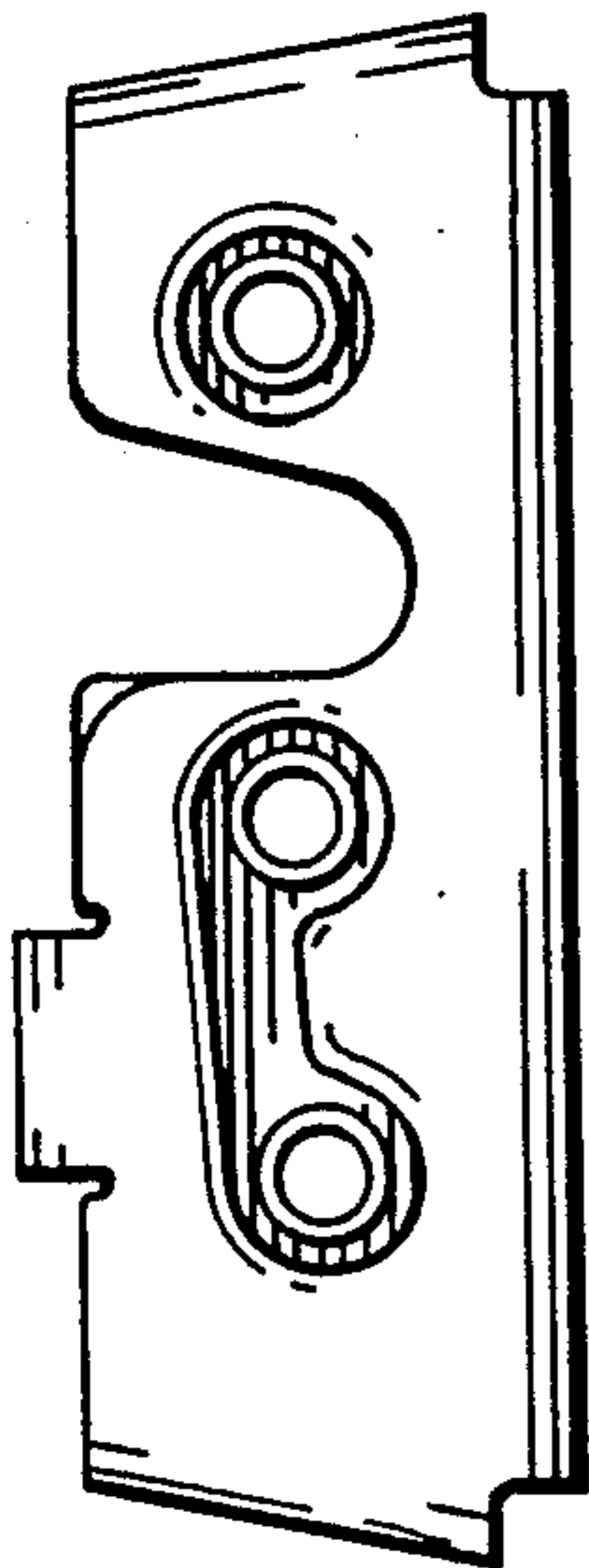


FIG. 10

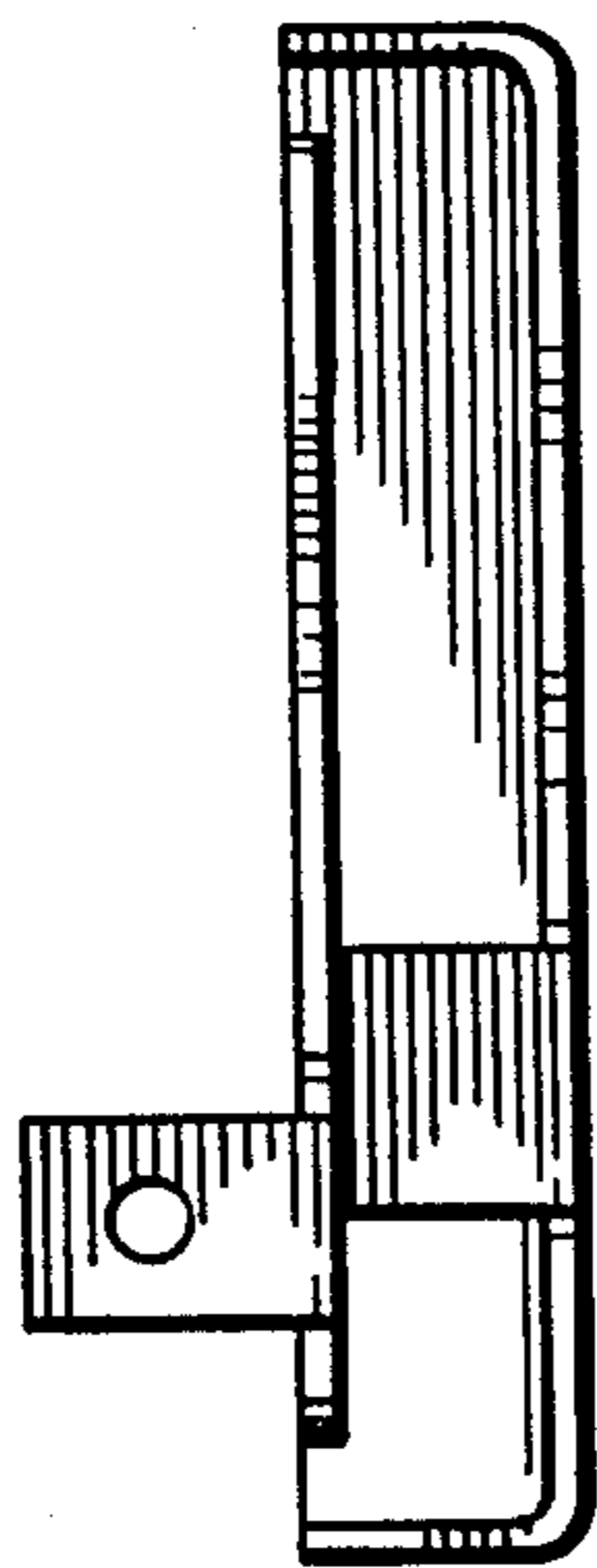


FIG. 11

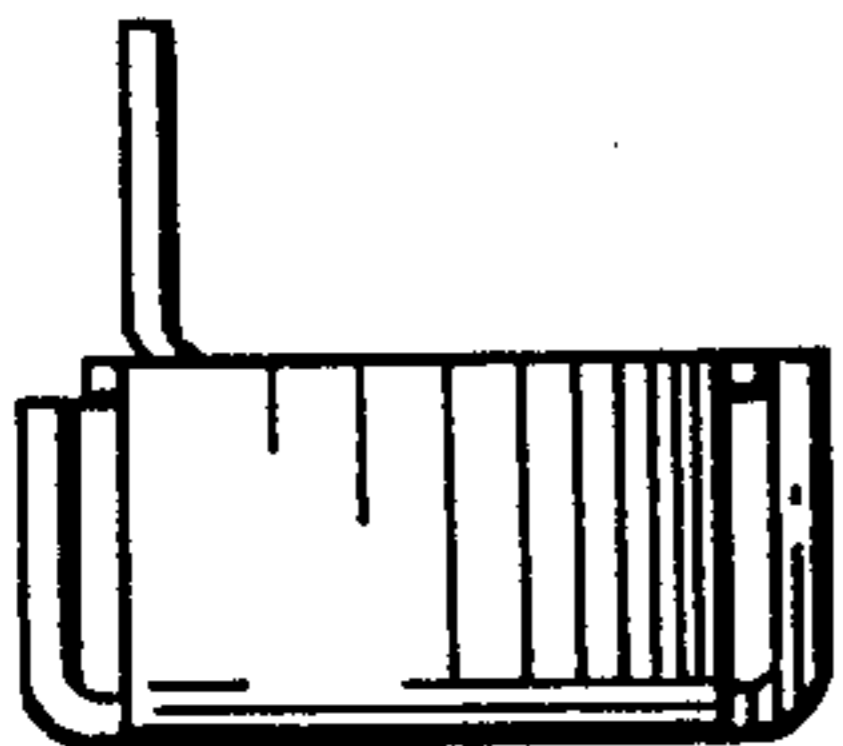


FIG. 12

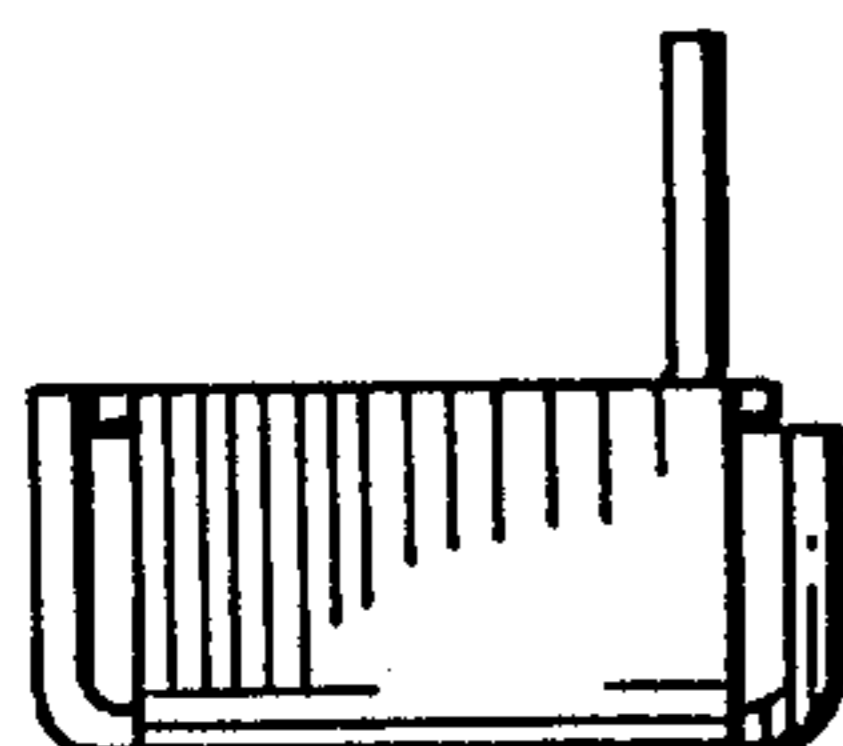


FIG. 13

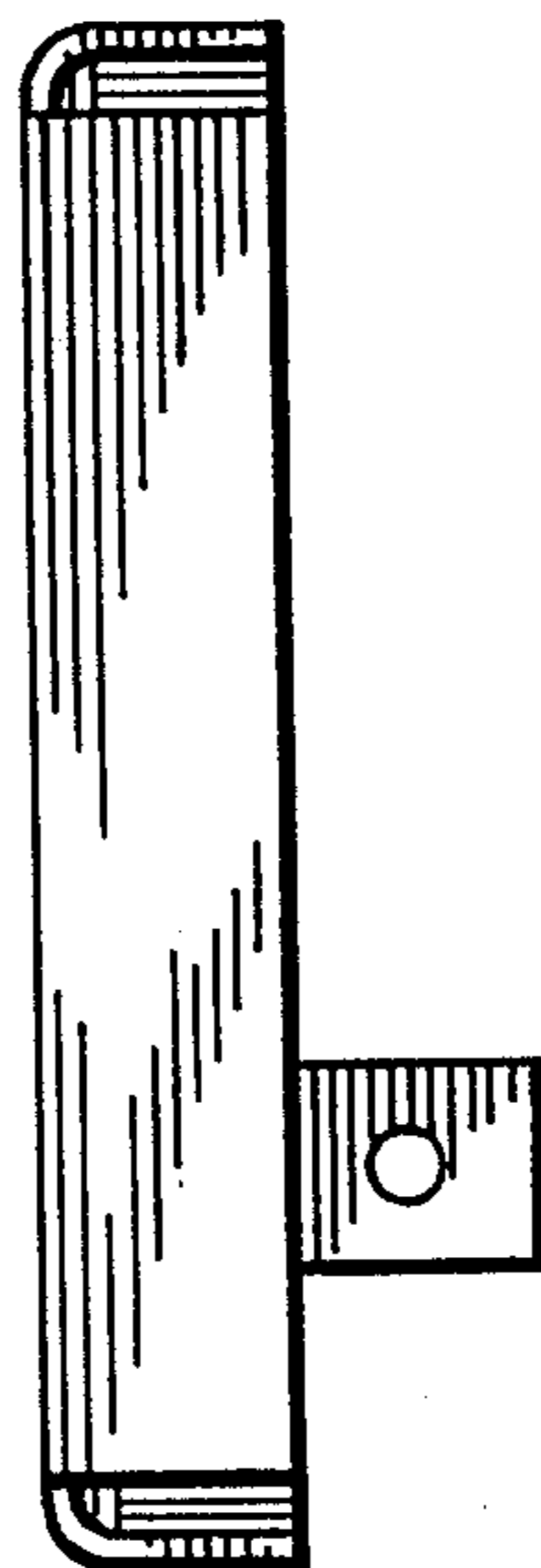


FIG. 14

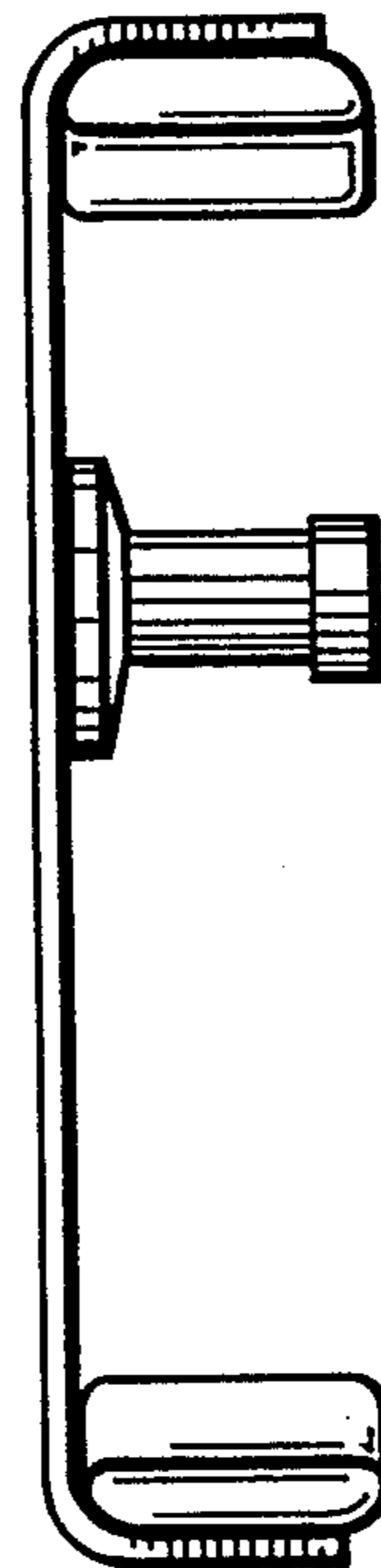


FIG. 15

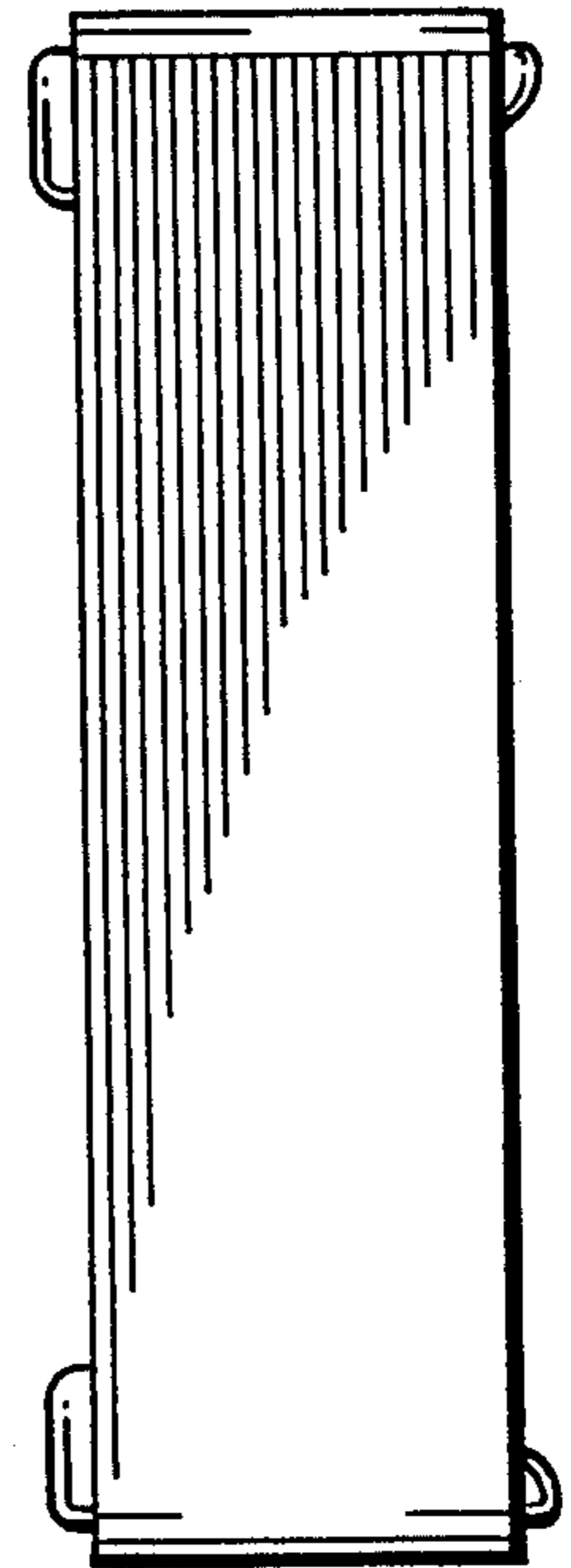


FIG. 16

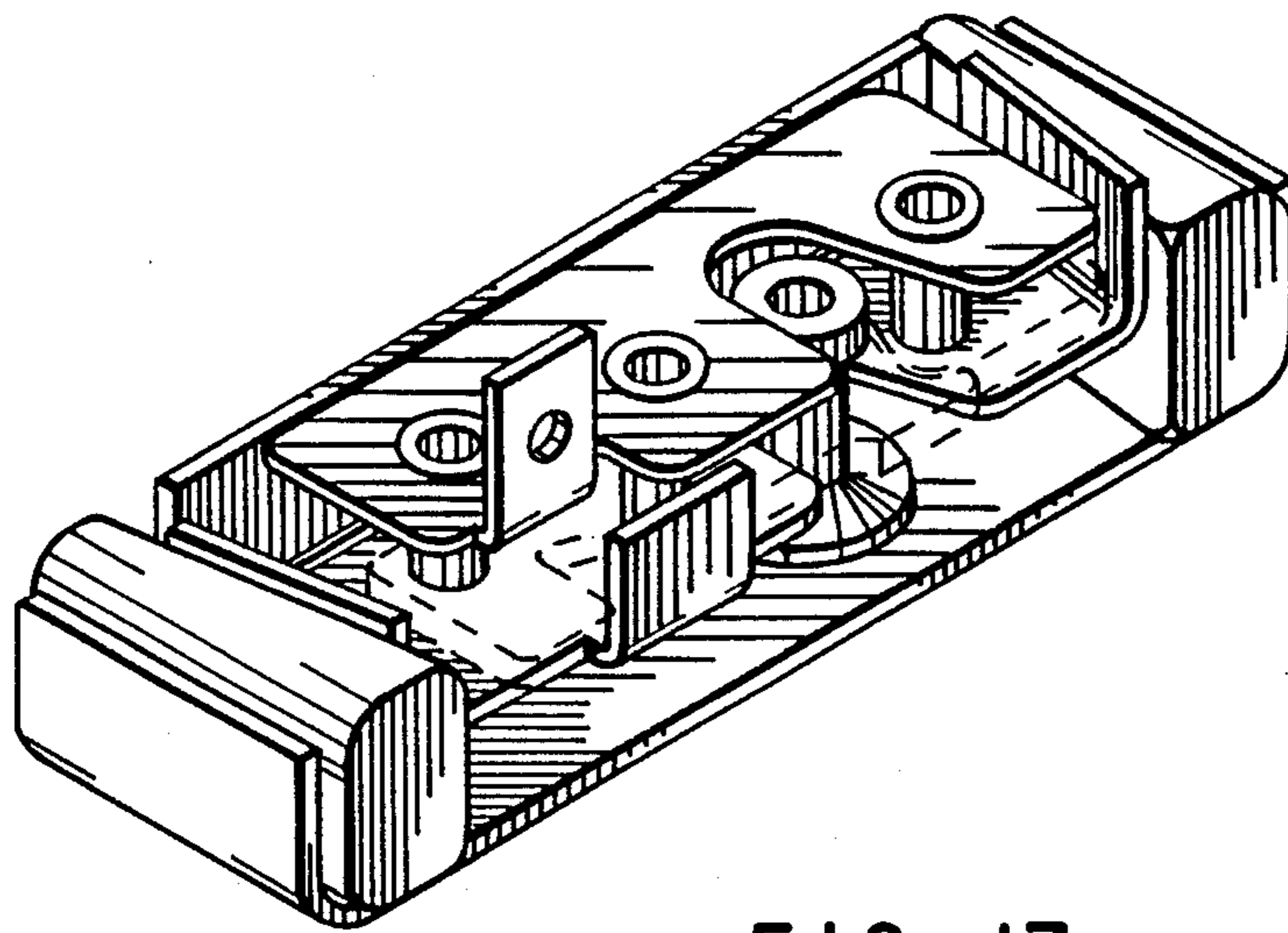


FIG. 17

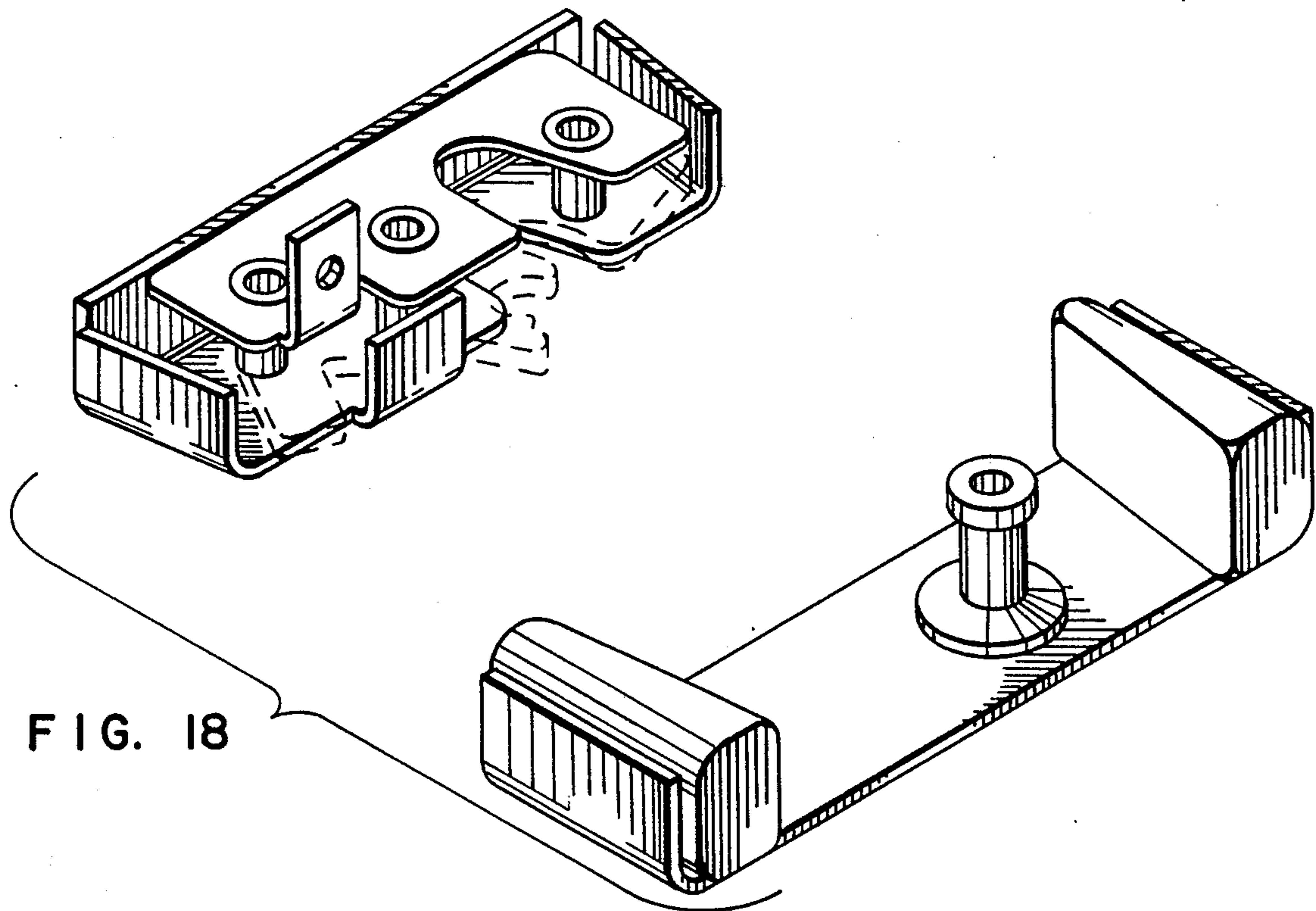


FIG. 18