

United States Patent [19]
Wright

[11] **Patent Number: Des. 304,290**
[45] **Date of Patent: ** Oct. 31, 1989**

[54] **AUTOMOBILE STEERING COLUMN LOCK**

[76] **Inventor: James E. Wright, 1244 Elson Rd.,
Chester Township, Delaware
County, Pa. 19015**

[**] **Term: 14 Years**

[21] **Appl. No.: 195,531**

[22] **Filed: May 18, 1988**

[52] **U.S. Cl. D8/330**

[58] **Field of Search D8/330-331,
D8/333, 339-342, 343, 346; 70/57, 207, 209,
211, 221, 224, 237-238, 252**

[56] **References Cited**

U.S. PATENT DOCUMENTS

D. 241,505 9/1976 Henry D8/333 X
D. 247,423 3/1978 Kaplan D8/333
D. 284,447 7/1986 Webster D8/331

3,916,658 11/1975 Barry 70/252 X
4,627,514 12/1986 Brown 70/252 X

Primary Examiner—Wallace R. Burke
Assistant Examiner—Brian N. Vinson
Attorney, Agent, or Firm—Jerry T. Kearns

[57] **CLAIM**

The ornamental design for an automobile steering column lock, as shown and described.

DESCRIPTION

FIG. 1 is a front elevational view of an steering column lock showing my new design;
FIG. 2 is a rear elevational view thereof;
FIG. 3 is a right side elevational view thereof;
FIG. 4 is a left side elevational view thereof;
FIG. 5 is a top plan view thereof;
FIG. 6 is a bottom plan view thereof; and,
FIG. 7 is a perspective view thereof.

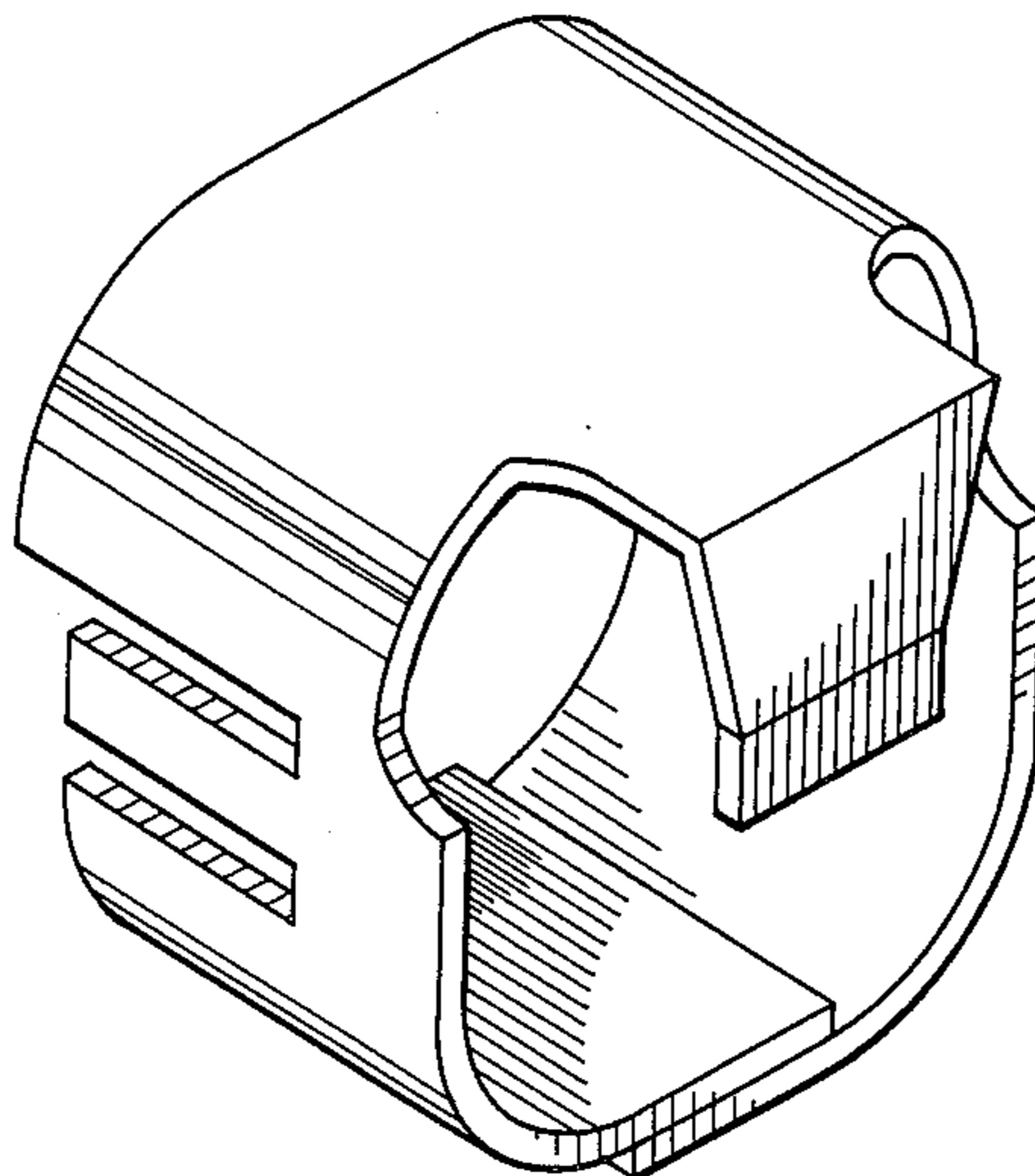


Fig. 1

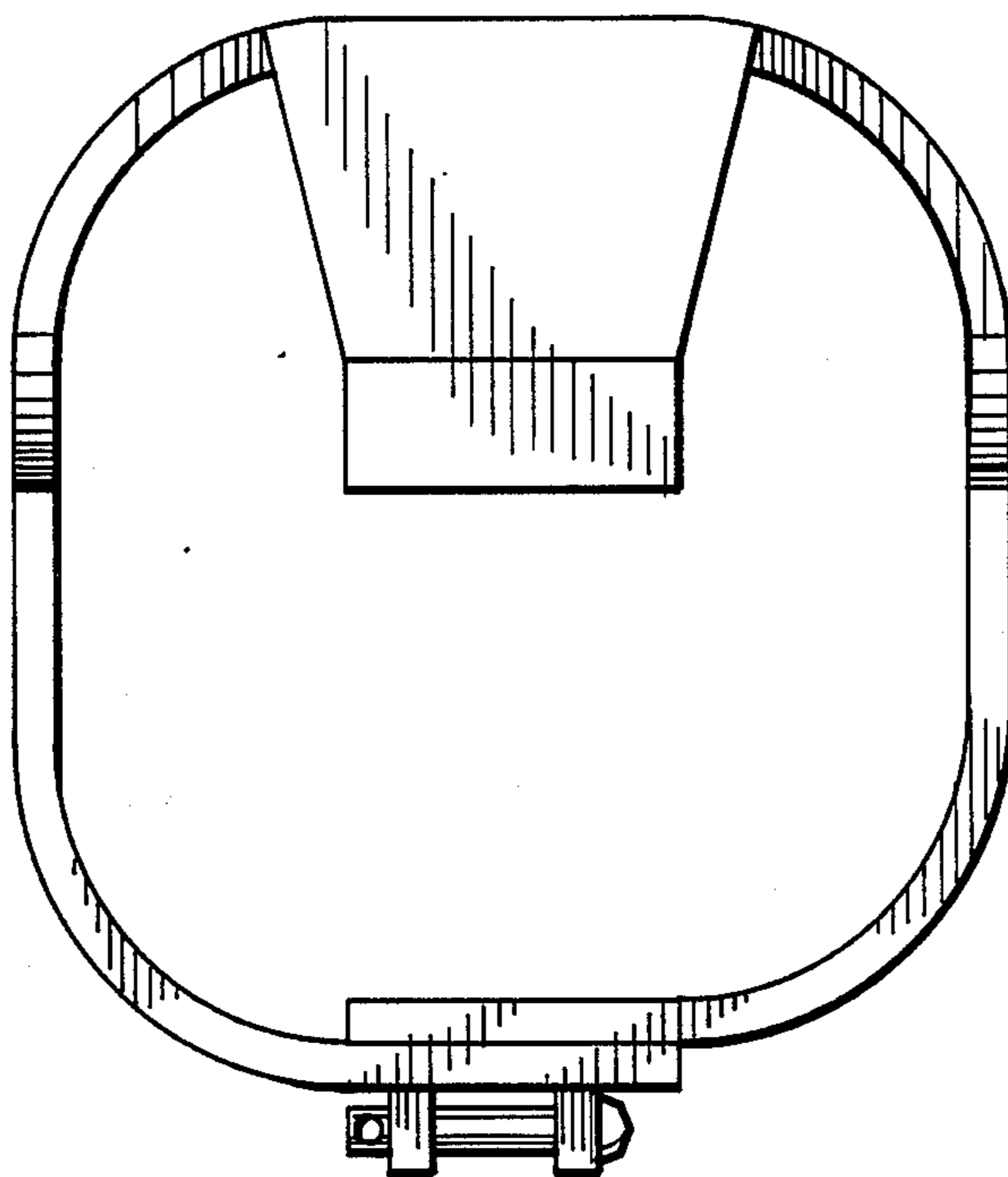
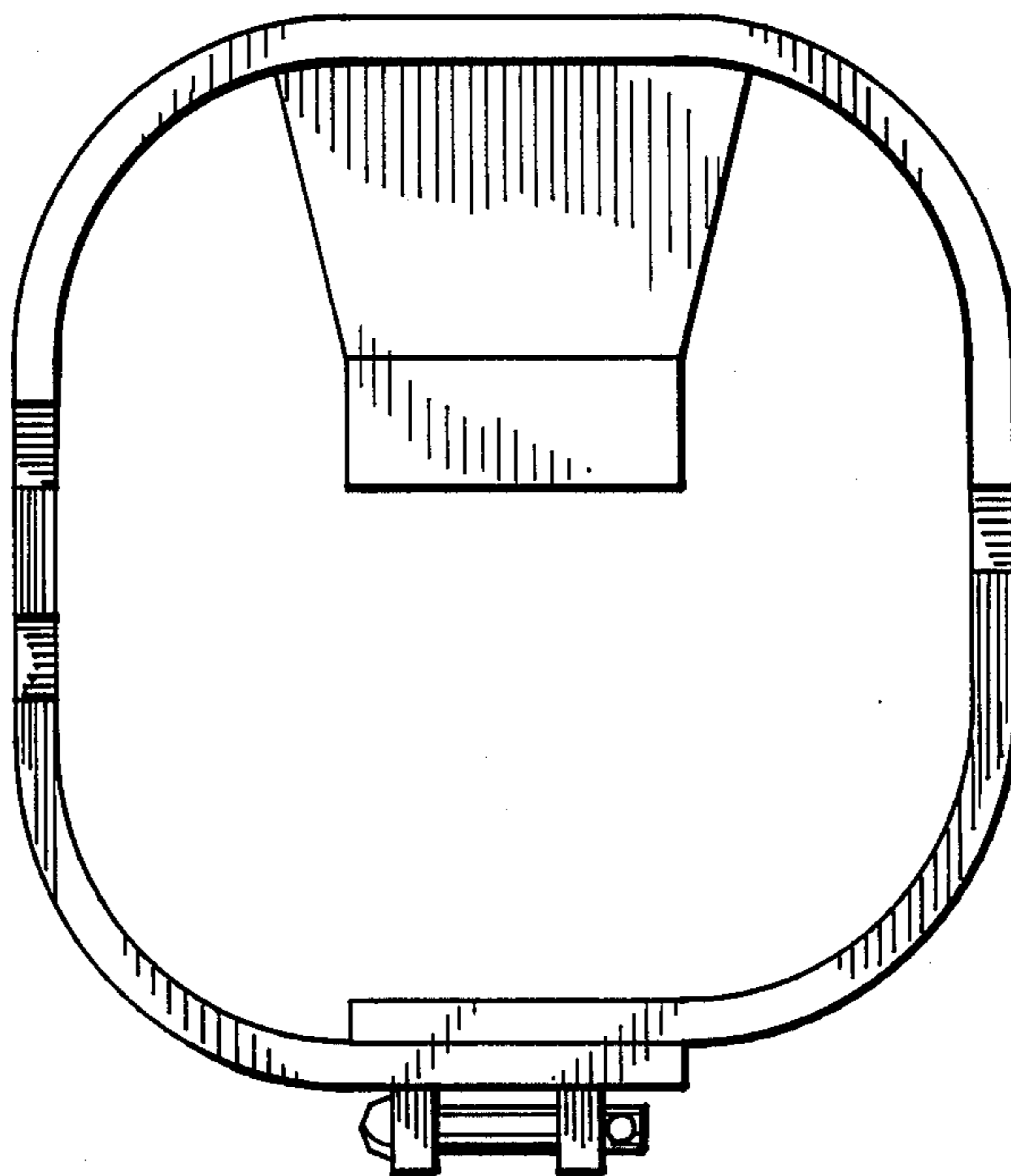


Fig. 2



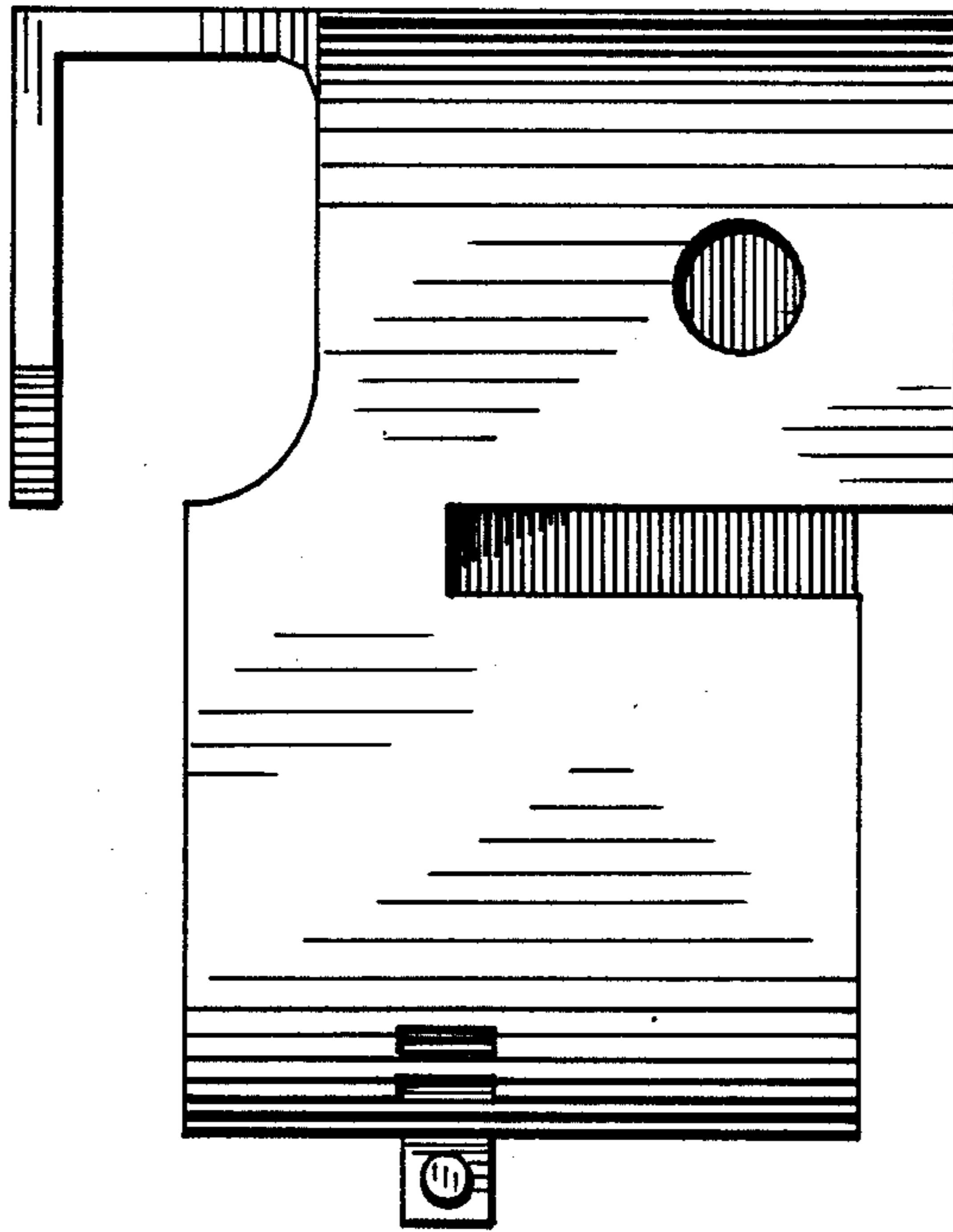


Fig. 3

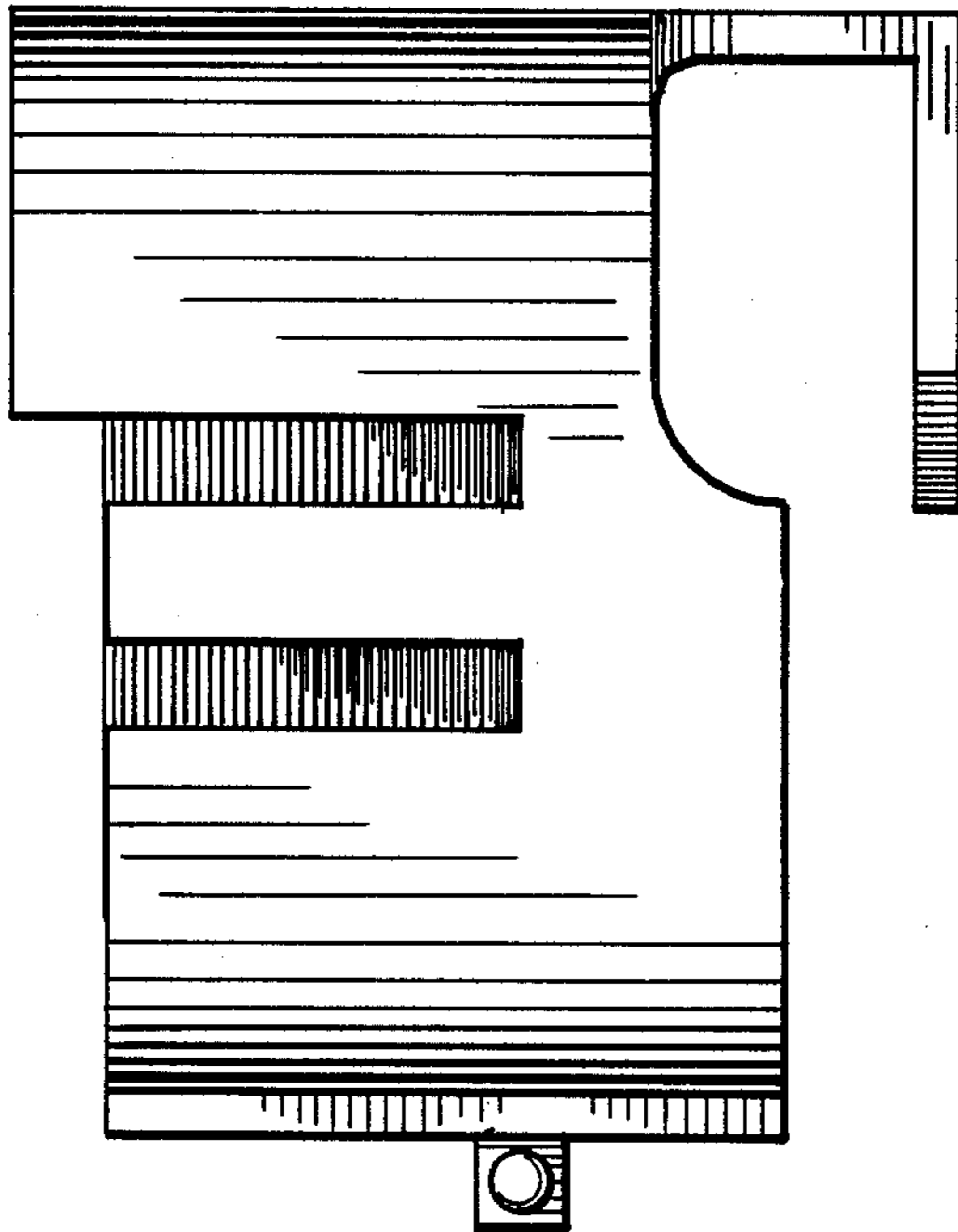


Fig. 4

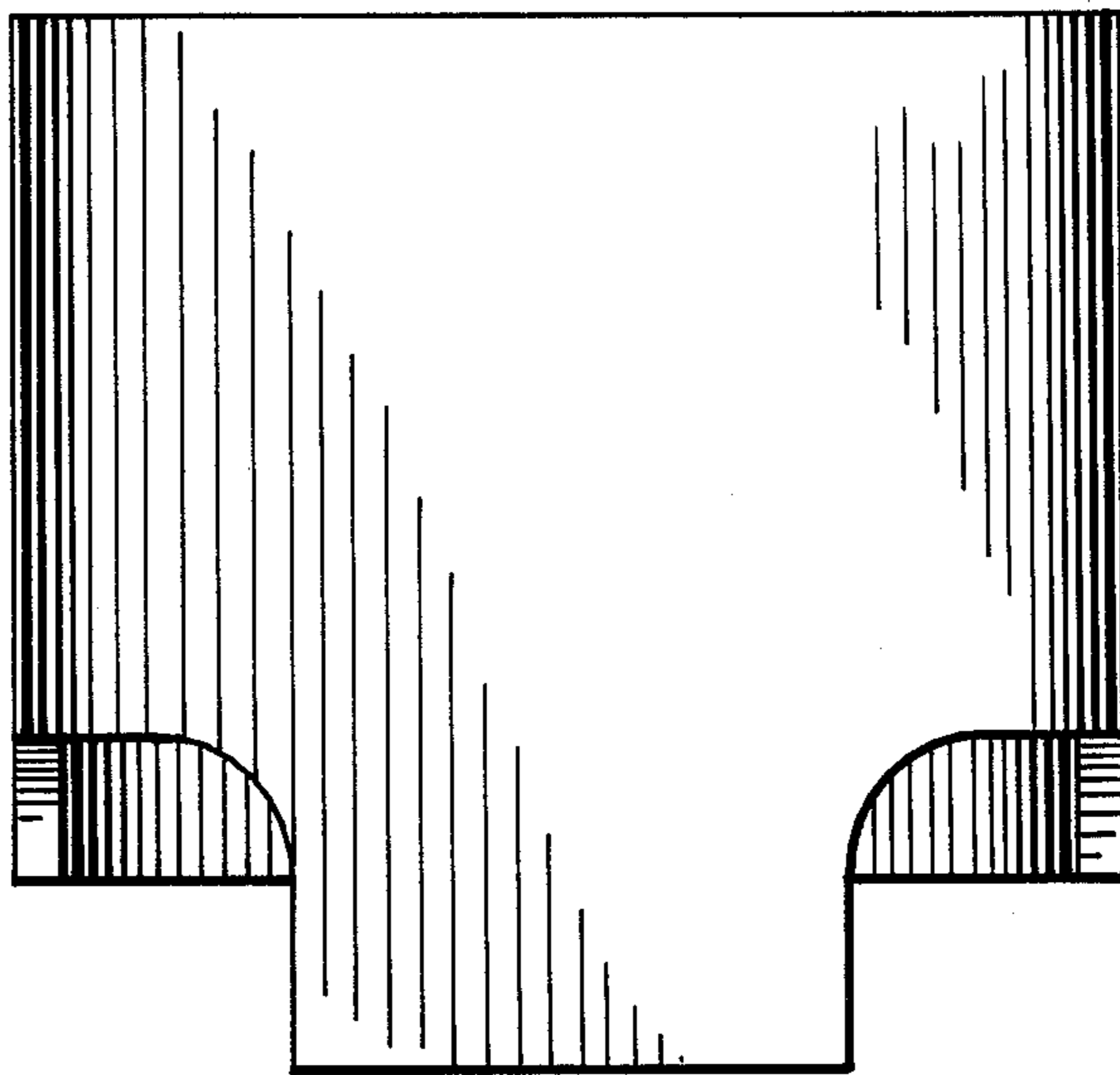


Fig. 5

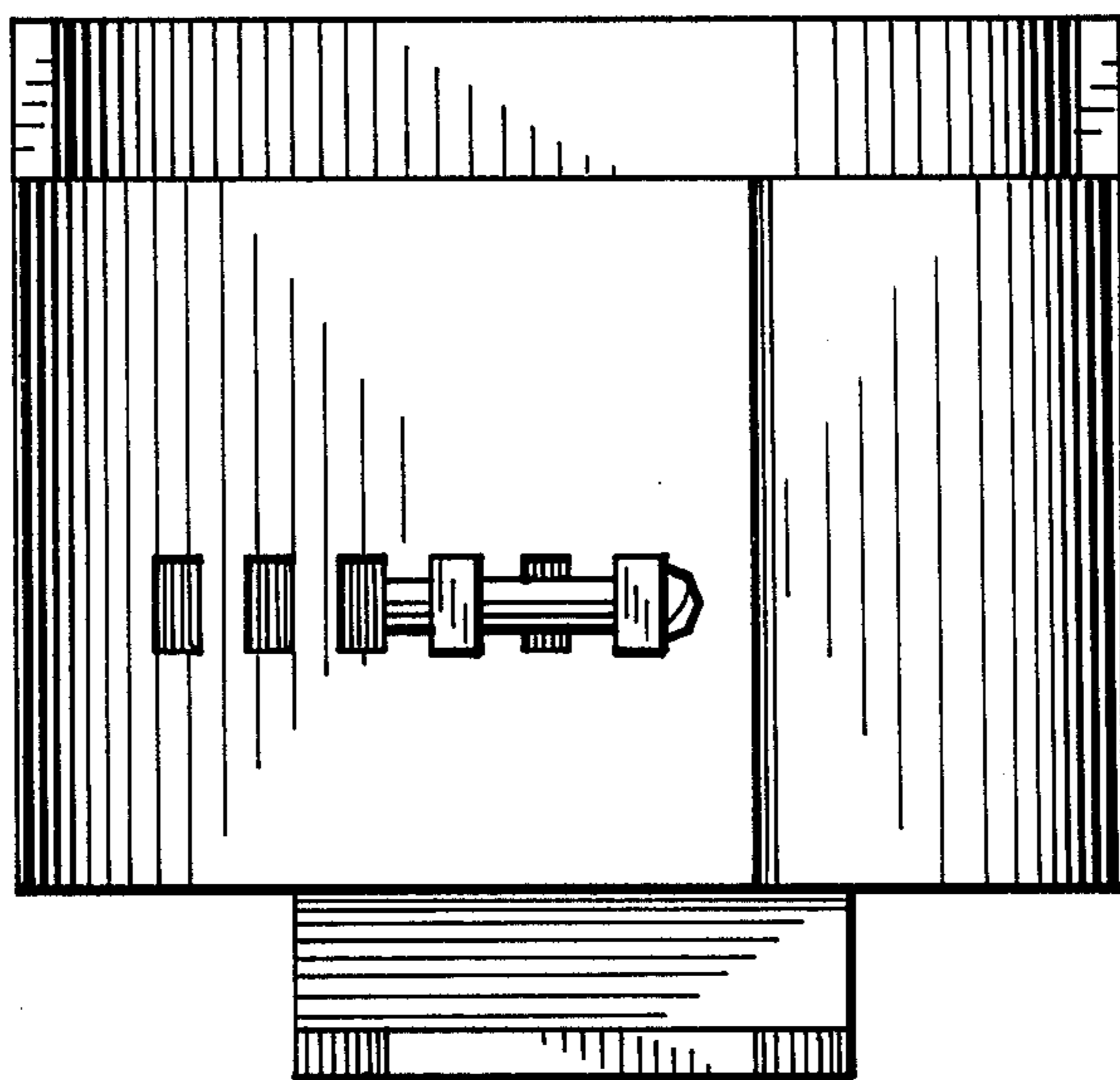


Fig. 6

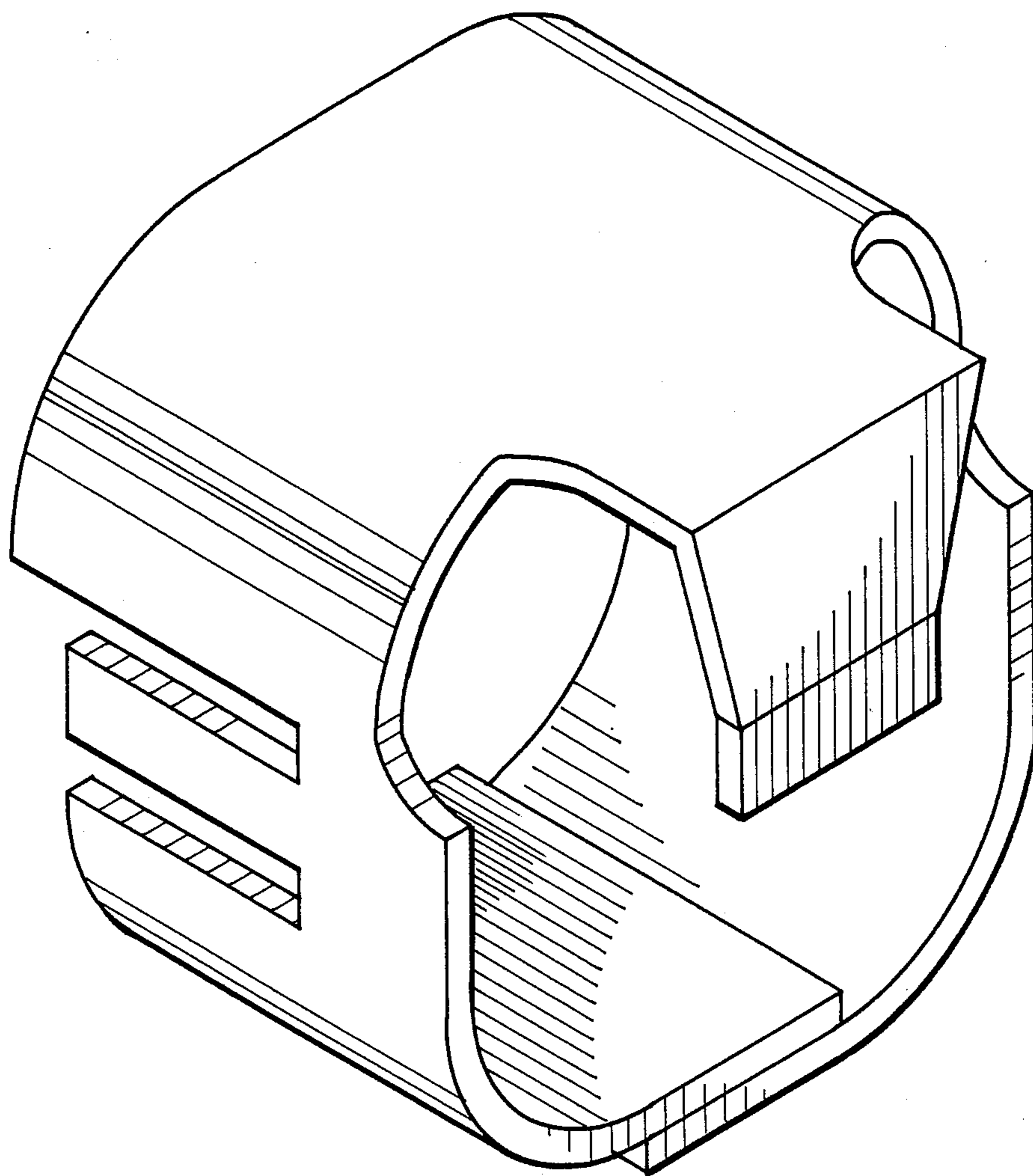


Fig. 7