

[54] **ELECTRIC DRILL OR SIMILAR ARTICLE**

- [75] **Inventor:** Donald W. Zurwelle, Lutherville, Md.
[73] **Assignee:** Black & Decker Inc., Newark, Del.
[**] **Term:** 14 Years
[21] **Appl. No.:** 83,412
[22] **Filed:** Aug. 7, 1987
[52] **U.S. Cl.** D8/68
[58] **Field of Search** D8/61, 68, 69; 81/54, 81/57.11, 57.14, 429; 173/163, 170; 408/124, 125, 127; 310/50

[56] **References Cited**

U.S. PATENT DOCUMENTS

- 2,349,401 5/1944 Beckwith 173/163
2,373,842 4/1945 Mitchell 310/50

FOREIGN PATENT DOCUMENTS

- 3321635 12/1984 Fed. Rep. of Germany 81/57.11

OTHER PUBLICATIONS

Skil 1973 Catalog for Industry & Construction, p. 34, Model #1176 drive-r-drill.
AEG Elektrowerkzeuge Catalog, Mar. 1985, cover and pp. 5 and 6.
Makita Catalog, 1985, inside and outside front cover and p. 25.

Primary Examiner—Bruce W. Dunkins
Assistant Examiner—Clare E. Heflin
Attorney, Agent, or Firm—Dennis A. Dearing; Edward D. Murphy

[57] **CLAIM**

The ornamental design for an electric drill or similar article, as shown and described.

DESCRIPTION

FIG. 1 is a front perspective view of an electric drill showing my new design;
FIG. 2 is a left side elevational view thereof;
FIG. 3 is a right side elevational view thereof;
FIG. 4 is a front elevational view thereof;
FIG. 5 is a rear elevational view thereof;
FIG. 6 is a bottom plan view thereof;
FIG. 7 is a top plan view thereof.

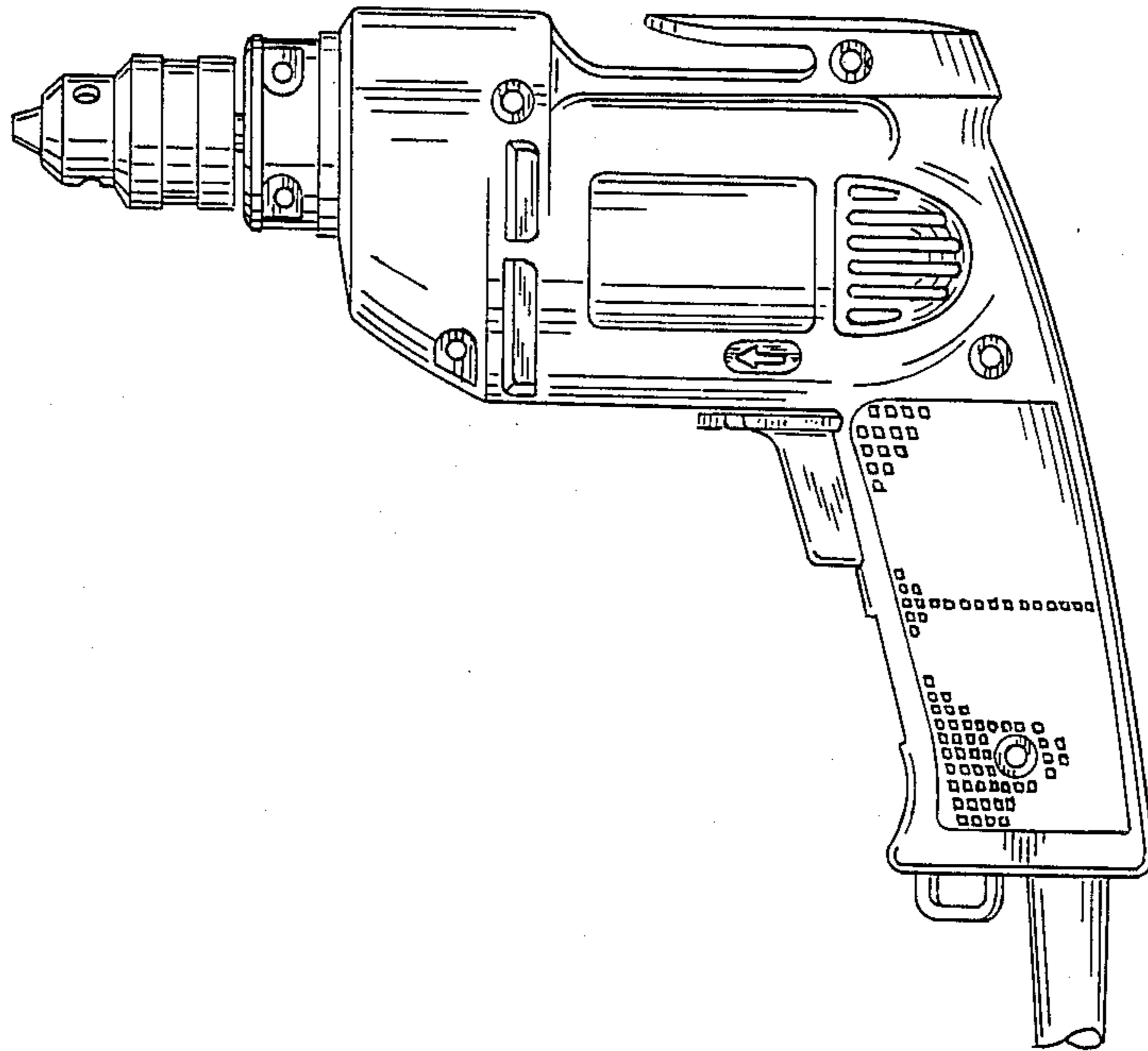
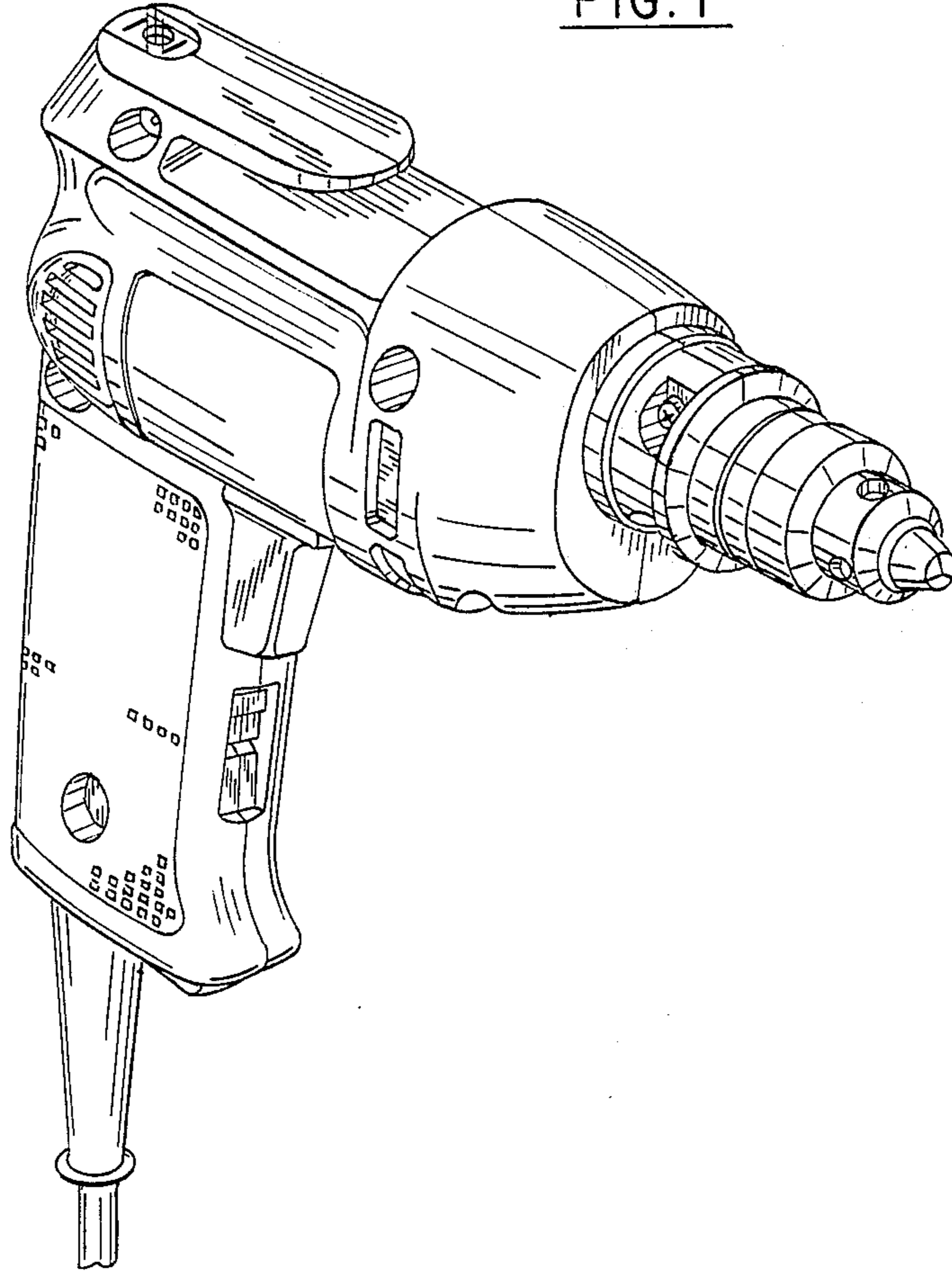


FIG. 1



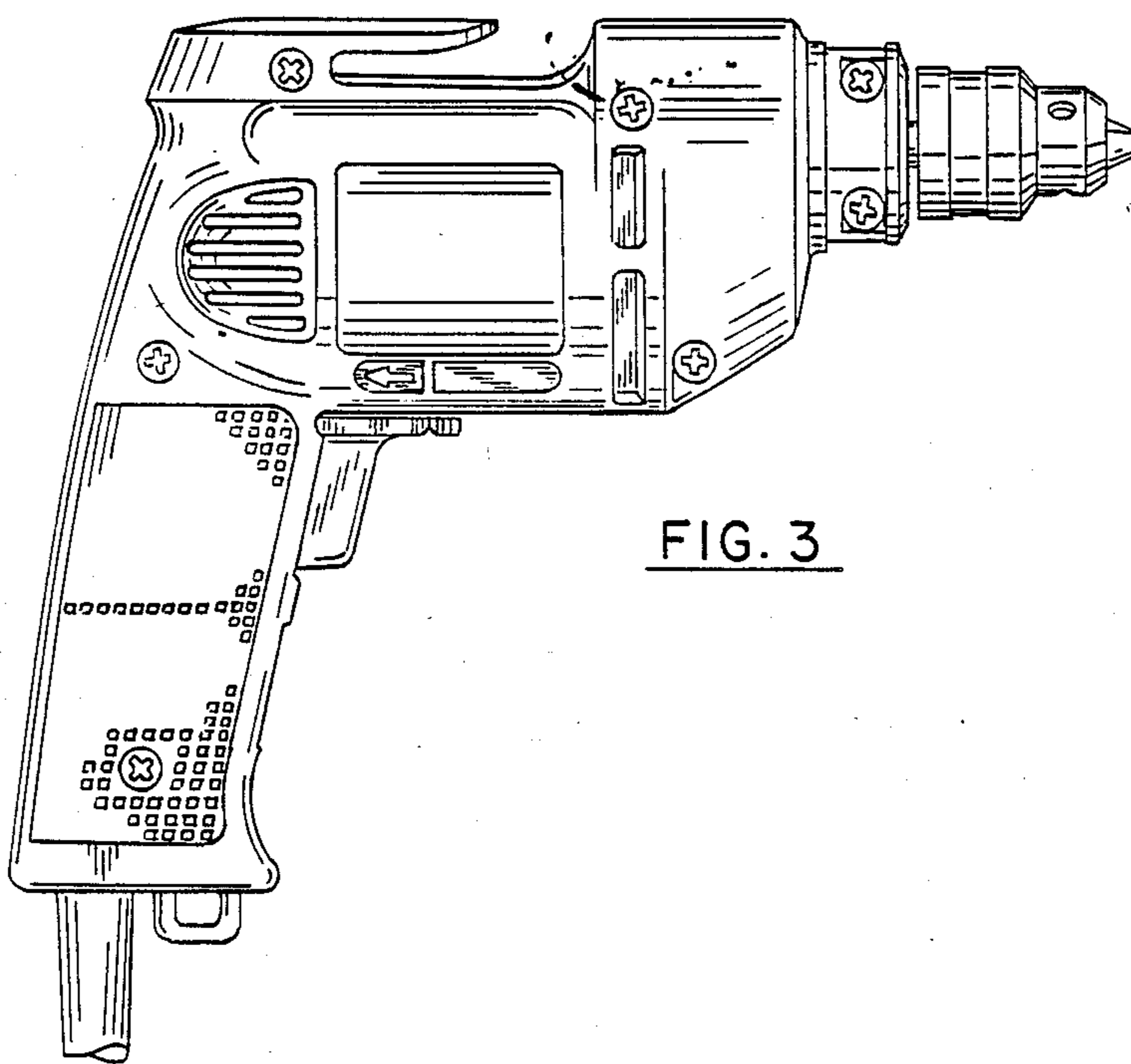
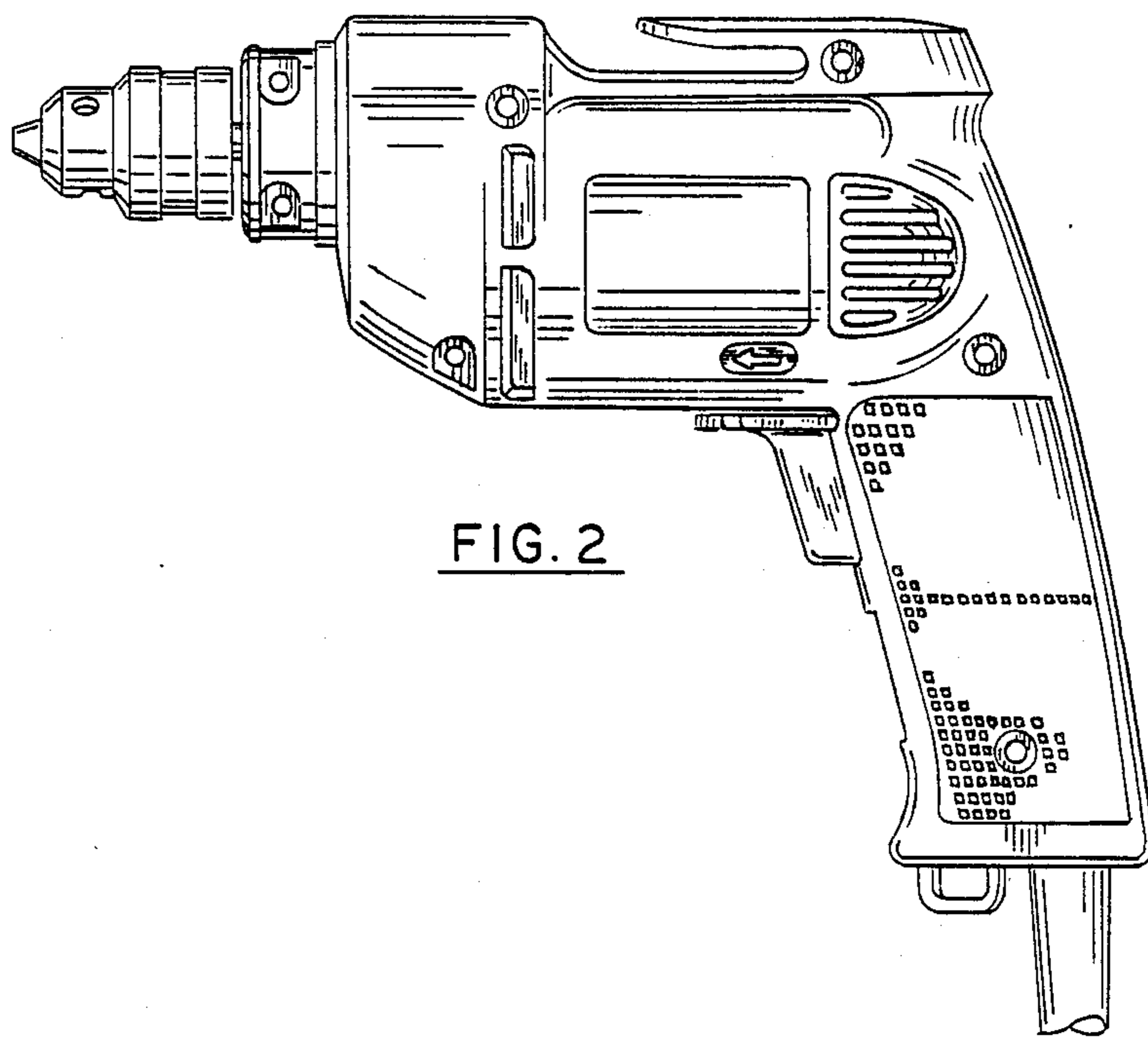


FIG. 4

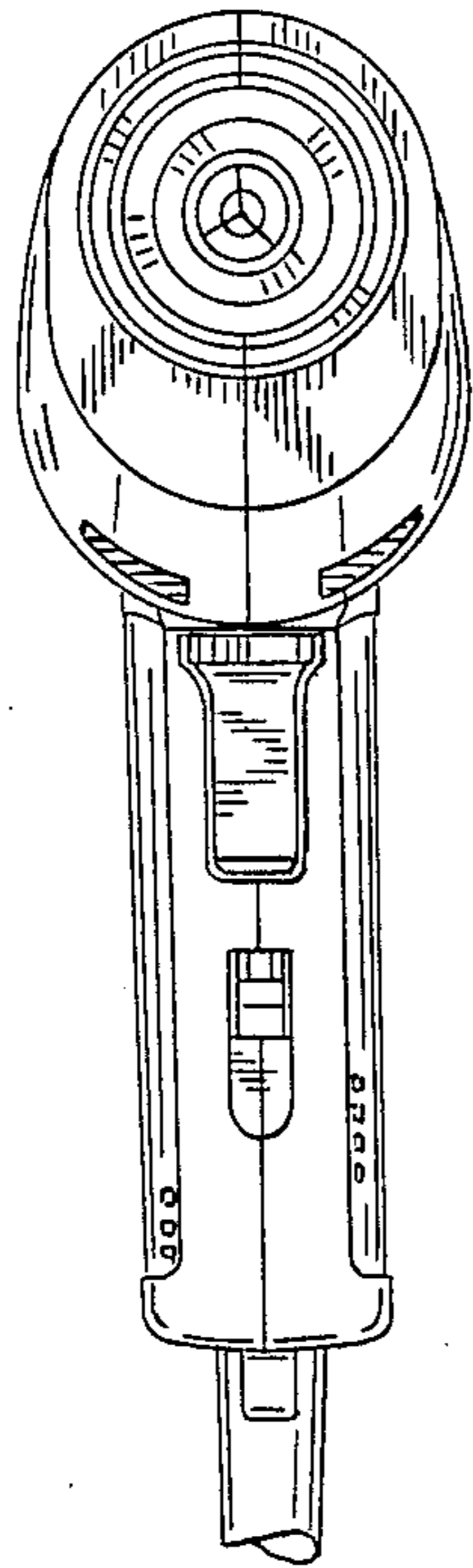


FIG. 5

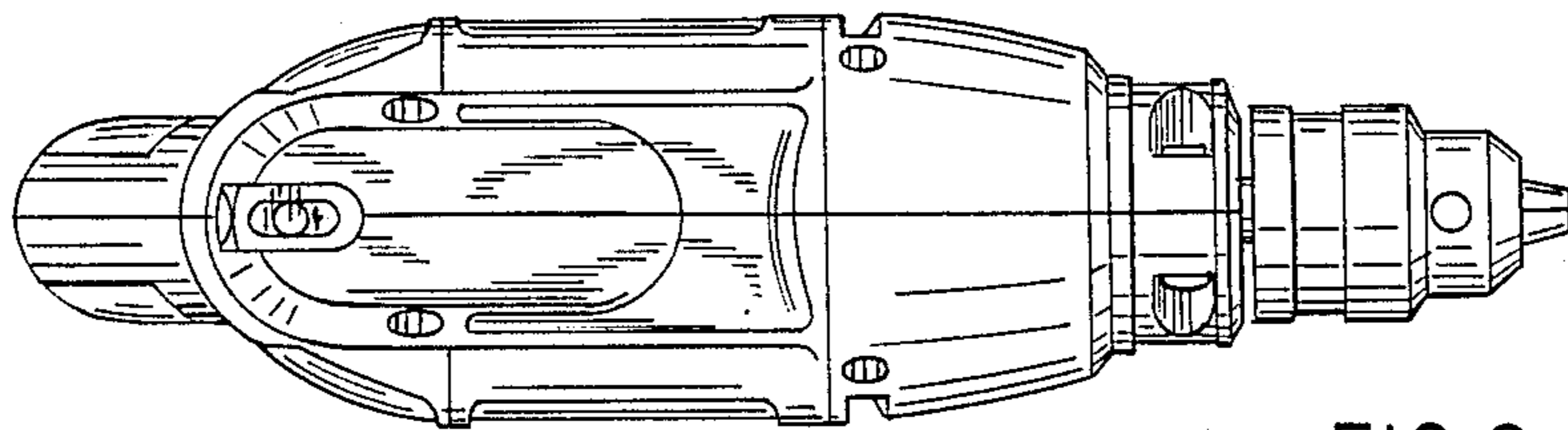
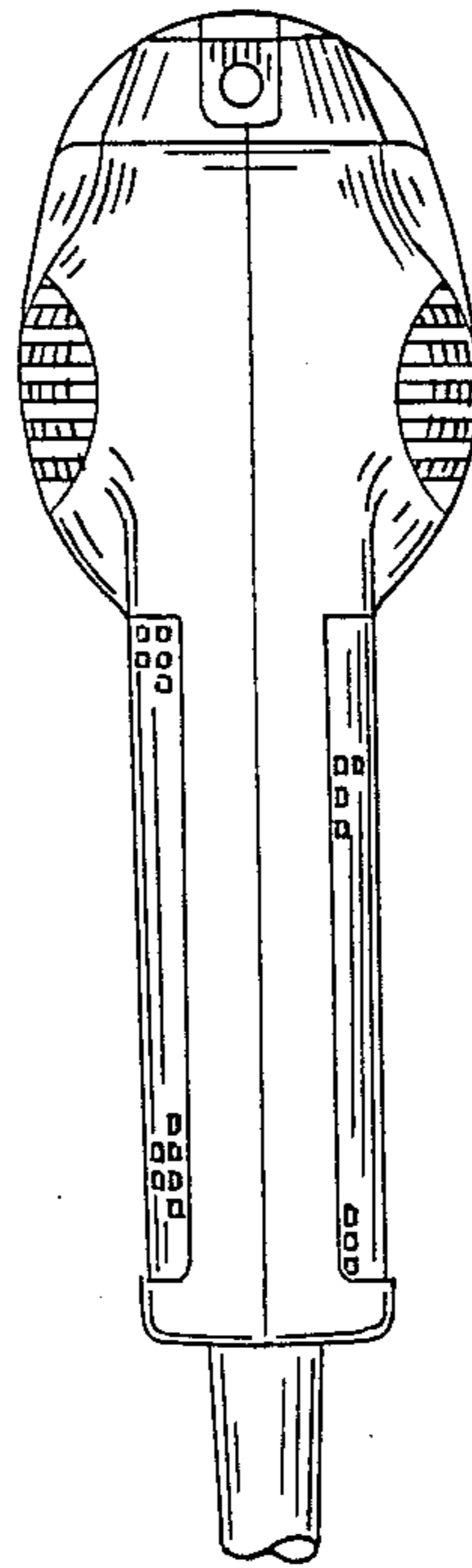


FIG. 6

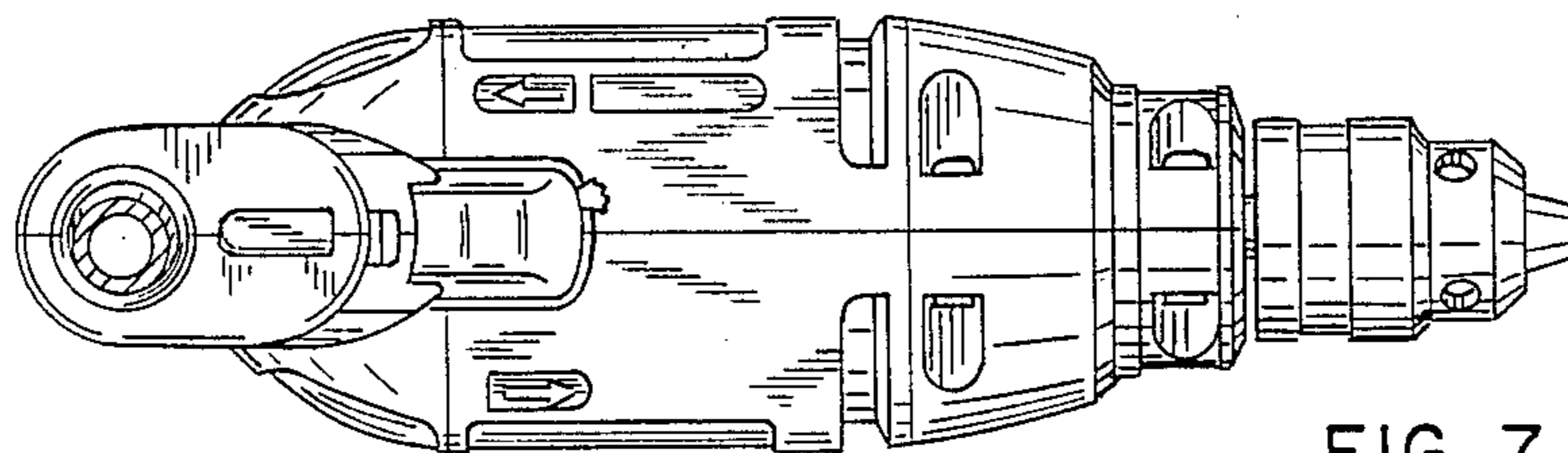


FIG. 7