

United States Patent [19]

Wolff et al.

[11] Patent Number: **Des. 304,284**

[45] Date of Patent: **** Oct. 31, 1989**

[54] **FOOD GRATER FRAME OR THE LIKE**

[75] Inventors: **Martin J. Wolff**, North Providence;
Larry G. Zimmerman, North
Smithfield, both of R.I.

[73] Assignee: **Dart Industries Inc.**, Deerfield, Ill.

[**] Term: **14 Years**

[21] Appl. No.: **887,410**

[22] Filed: **Jul. 17, 1986**

[52] U.S. Cl. **D7/412; D7/47;**
D7/387

[58] Field of Search **D7/412, 414, 50, 47,**
D7/387, 27, 3; 241/291, 95; D9/341, 347

[56] **References Cited**

U.S. PATENT DOCUMENTS

D. 167,270 7/1952 Marcus D7/47

D. 224,674 8/1972 Ashton et al. D7/3
D. 225,286 11/1972 Ashton et al. D7/47
2,741,286 4/1956 Bittle 241/95
3,698,460 10/1972 Ashton et al. D7/47 X

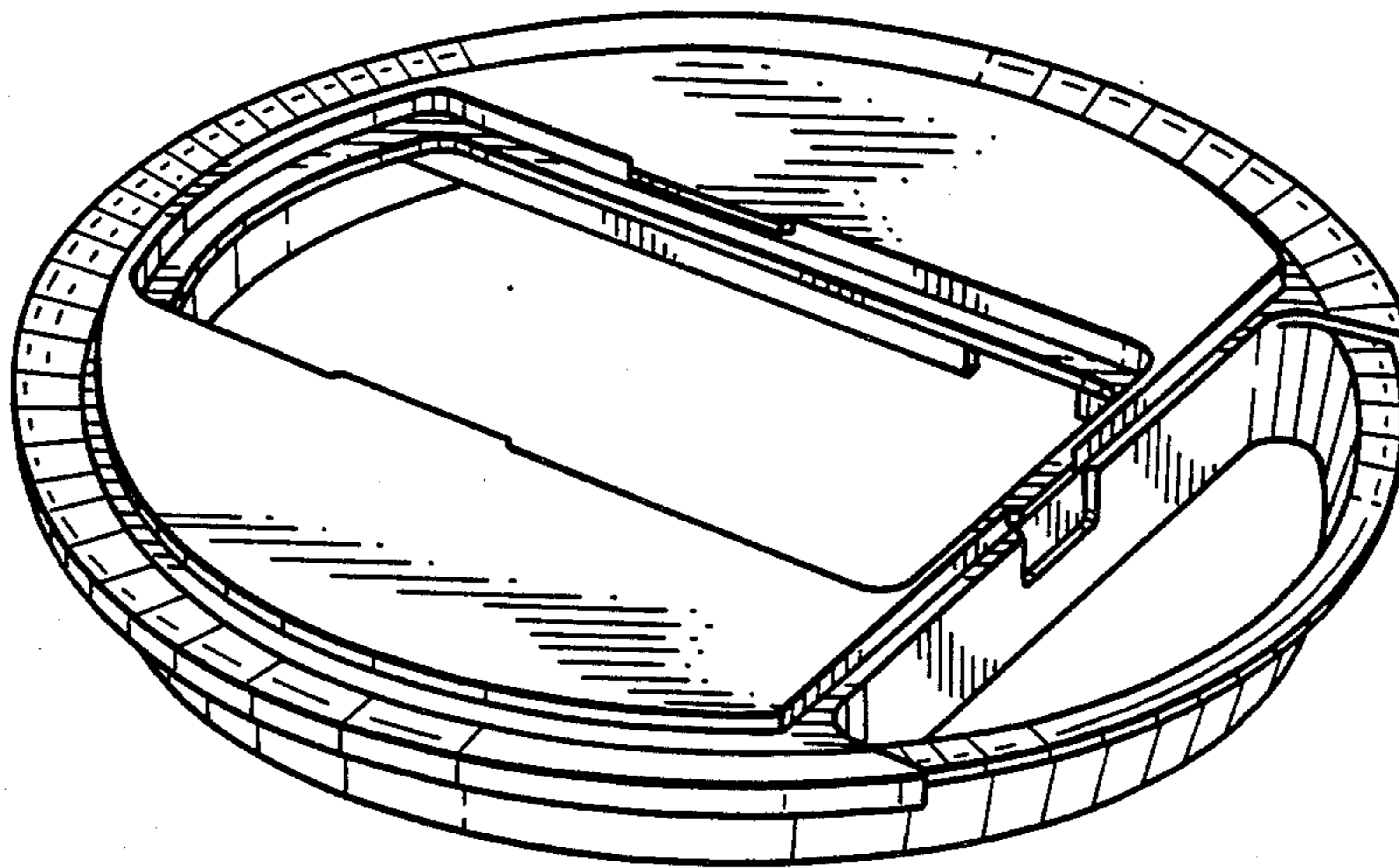
Primary Examiner—Winifred E. Herrmann
Attorney, Agent, or Firm—John A. Doninger

[57] **CLAIM**

The ornamental design for a food grater frame or the like, as shown.

DESCRIPTION

FIG. 1 is a top perspective view of a food grater frame or the like showing our new design;
FIG. 2 is a top plan view thereof;
FIG. 3 is an elevational view of the right side of FIG. 2;
FIG. 4 is an elevational view of the left side of FIG. 2;
FIG. 5 is an elevational view of the lower side of FIG. 2; and
FIG. 6 is a bottom plan view thereof.



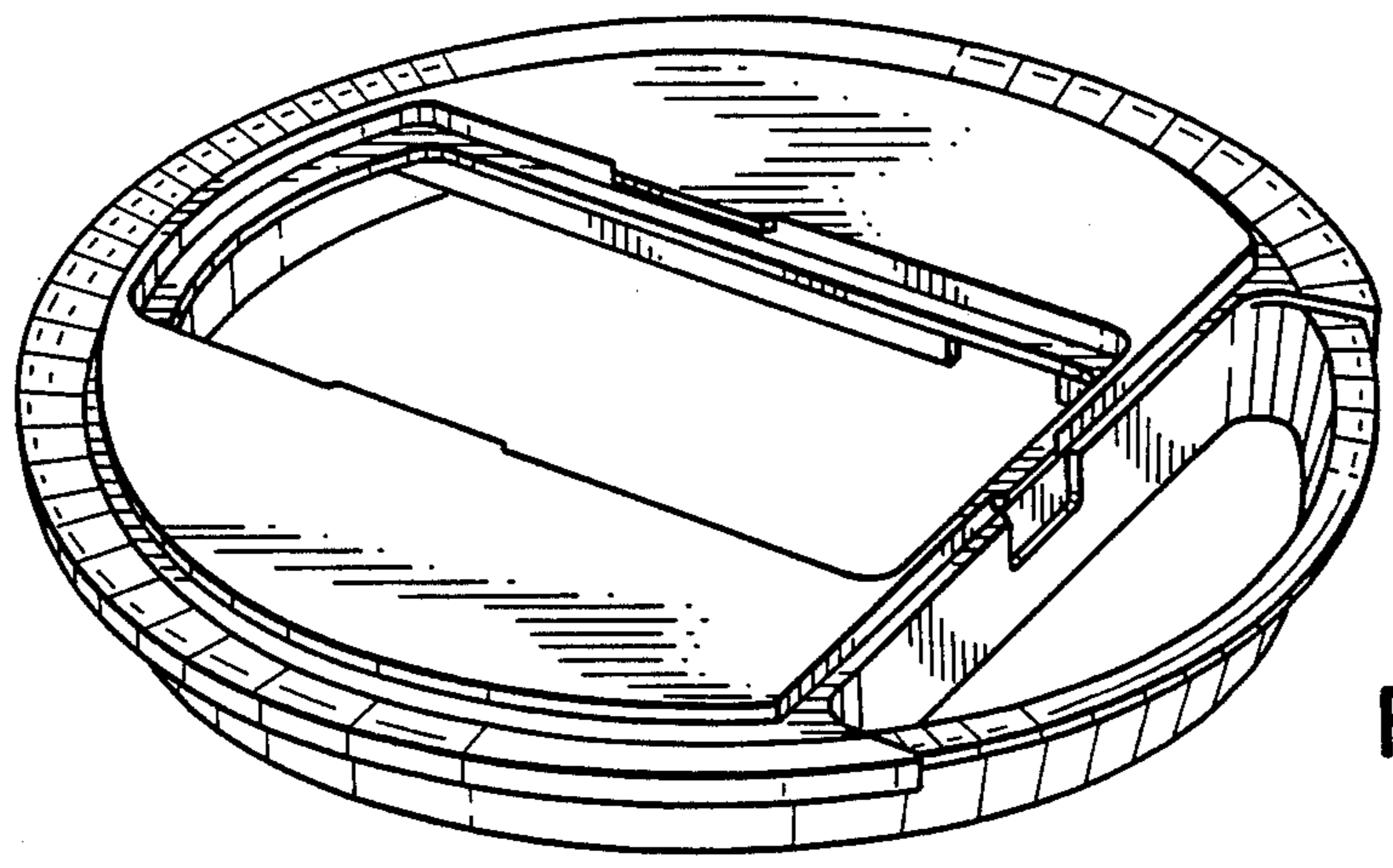


FIG. 1

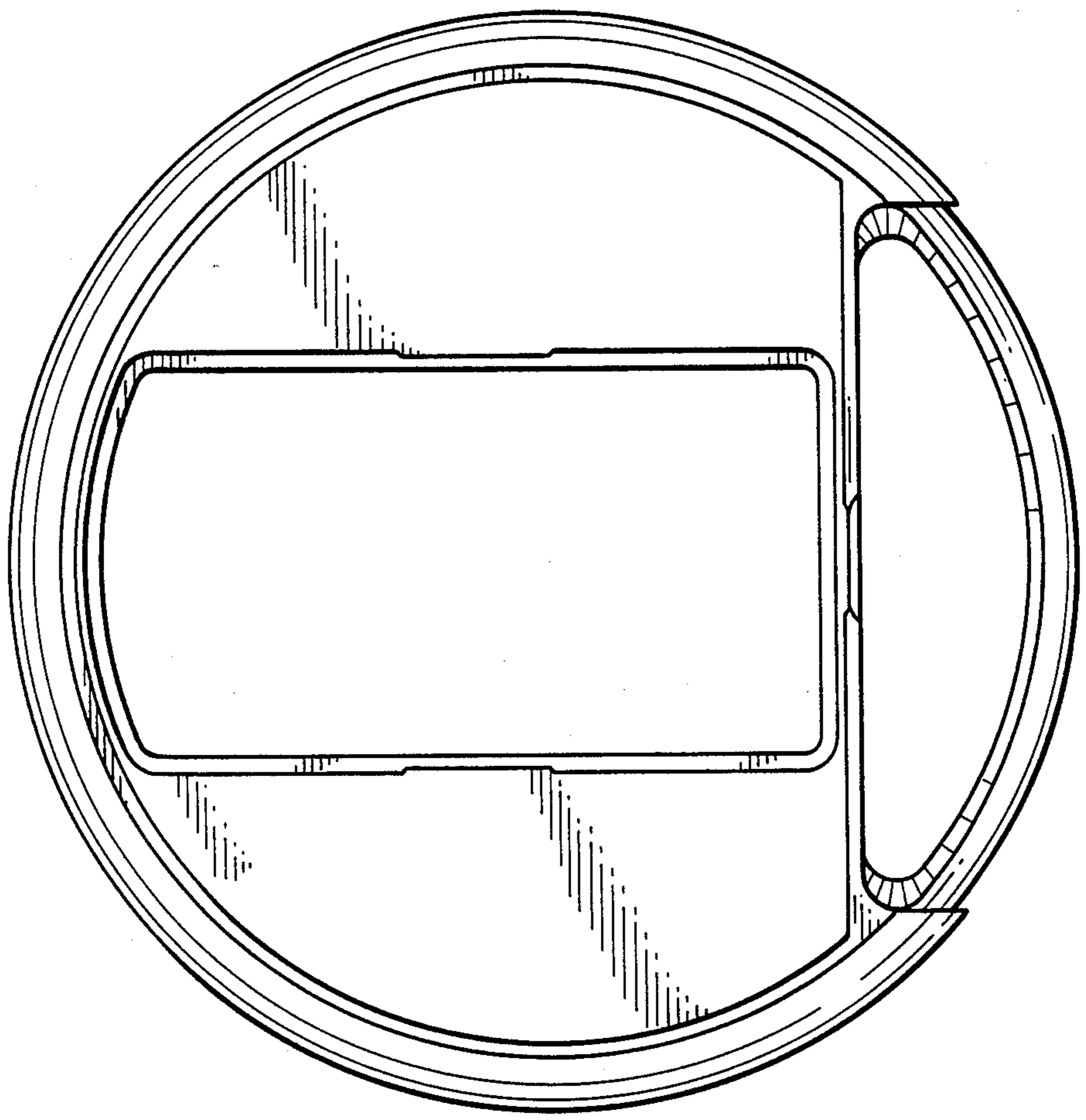


FIG. 2

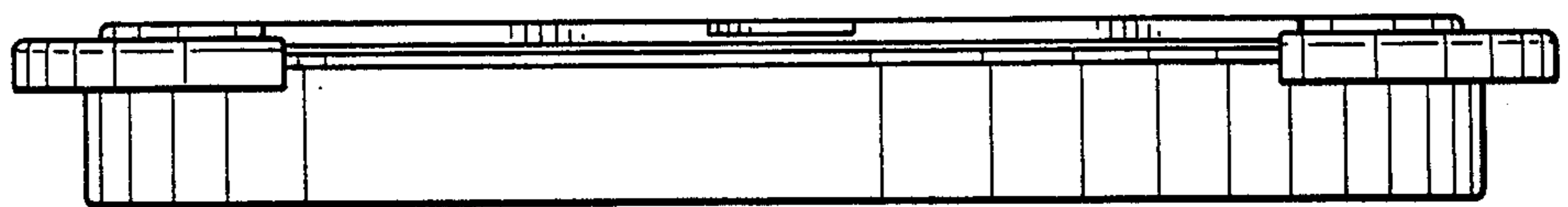


FIG. 3

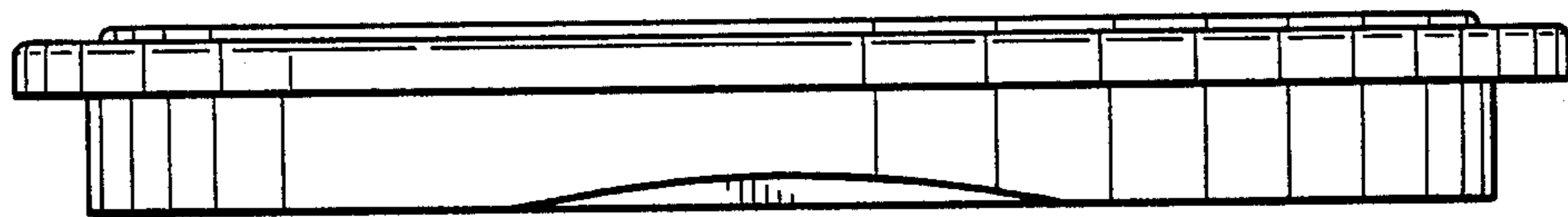


FIG. 4

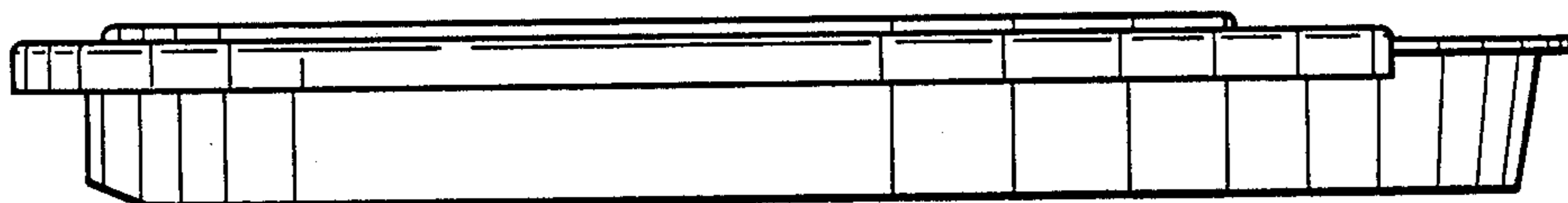


FIG. 5

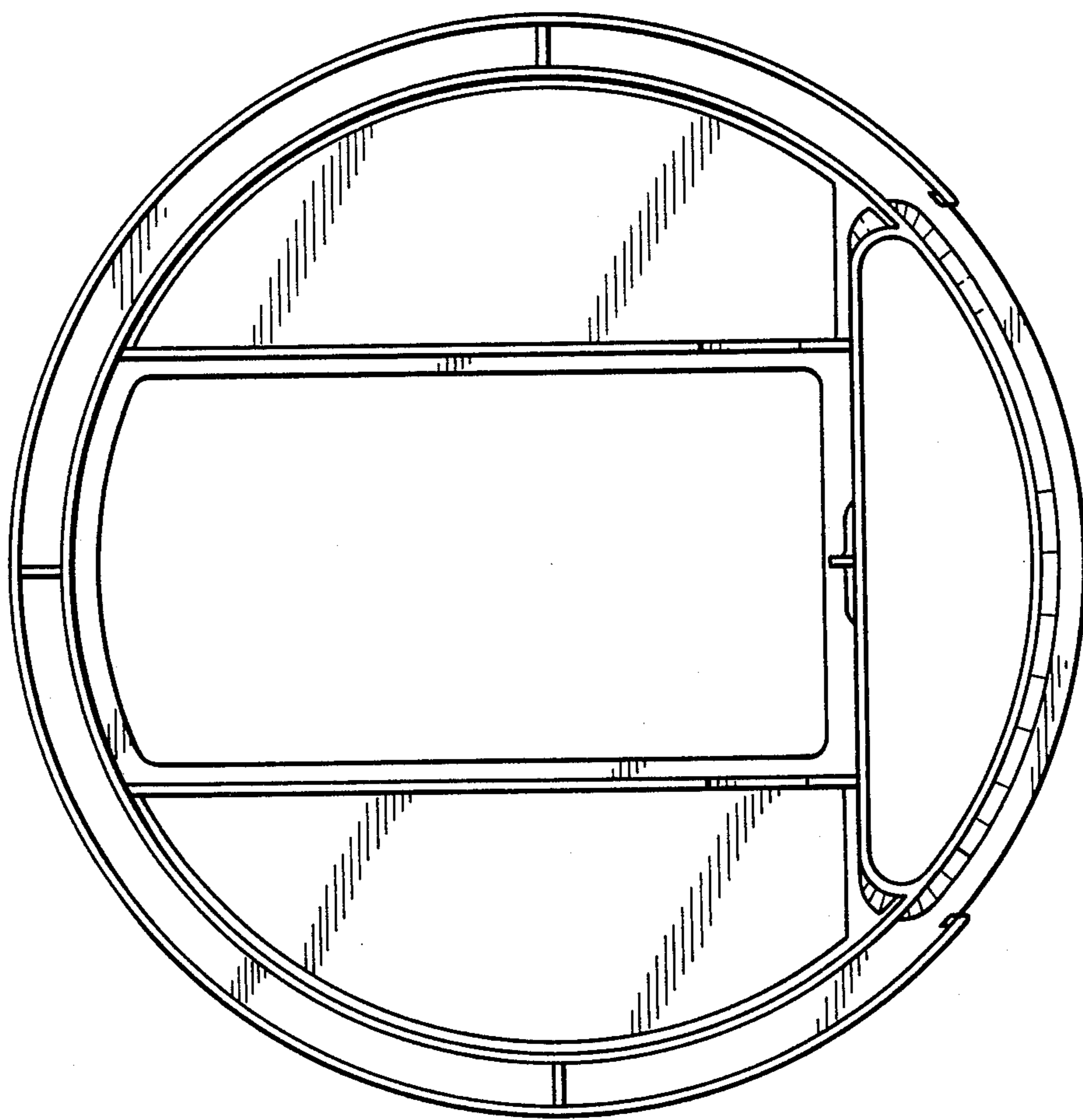


FIG. 6