

[54] CONTAINER LID

[75] Inventors: Bryan A. Feimer, Parma; Henry G. Roethel, Ravenna; Raymond P. Kowalics, Solon, all of Ohio

[73] Assignee: The Meyer Company, Cleveland, Ohio

[**] Term: 14 Years

[21] Appl. No.: 859,242

[22] Filed: May 2, 1986

[52] U.S. Cl. D7/391; D9/435

[58] Field of Search D9/434, 435, 443, 454; D7/354, 392, 387, 435, 360, 391; 220/318, 337, 850, 366, 337, 240; 222/356, 570, 566, 567, 575

[56] References Cited

U.S. PATENT DOCUMENTS

- D. 113,722 3/1939 Smith D9/439
- D. 113,990 3/1939 Lacy D7/354
- D. 153,894 5/1949 Mortrude D7/354

- D. 189,165 11/1960 Freiman D7/391
- D. 249,624 9/1978 Solomon D9/454
- D. 282,044 1/1986 McClelland D7/391
- D. 286,488 11/1986 Bioere D7/360
- 2,611,505 9/1952 Winborn, Jr. et al. 220/240
- 3,471,054 10/1969 Ostrowsky et al. 220/318
- 4,279,357 7/1981 Robinson 220/318

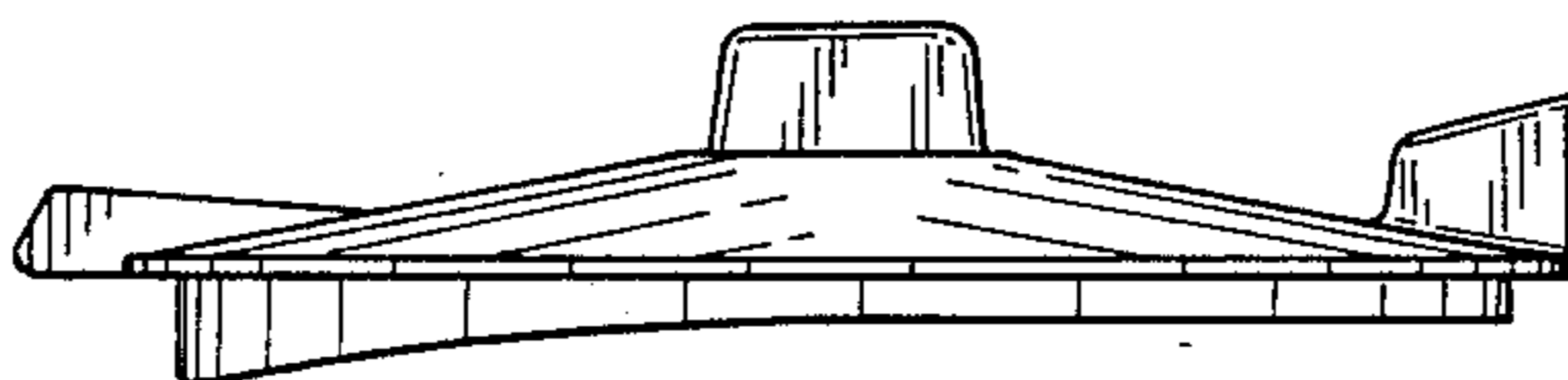
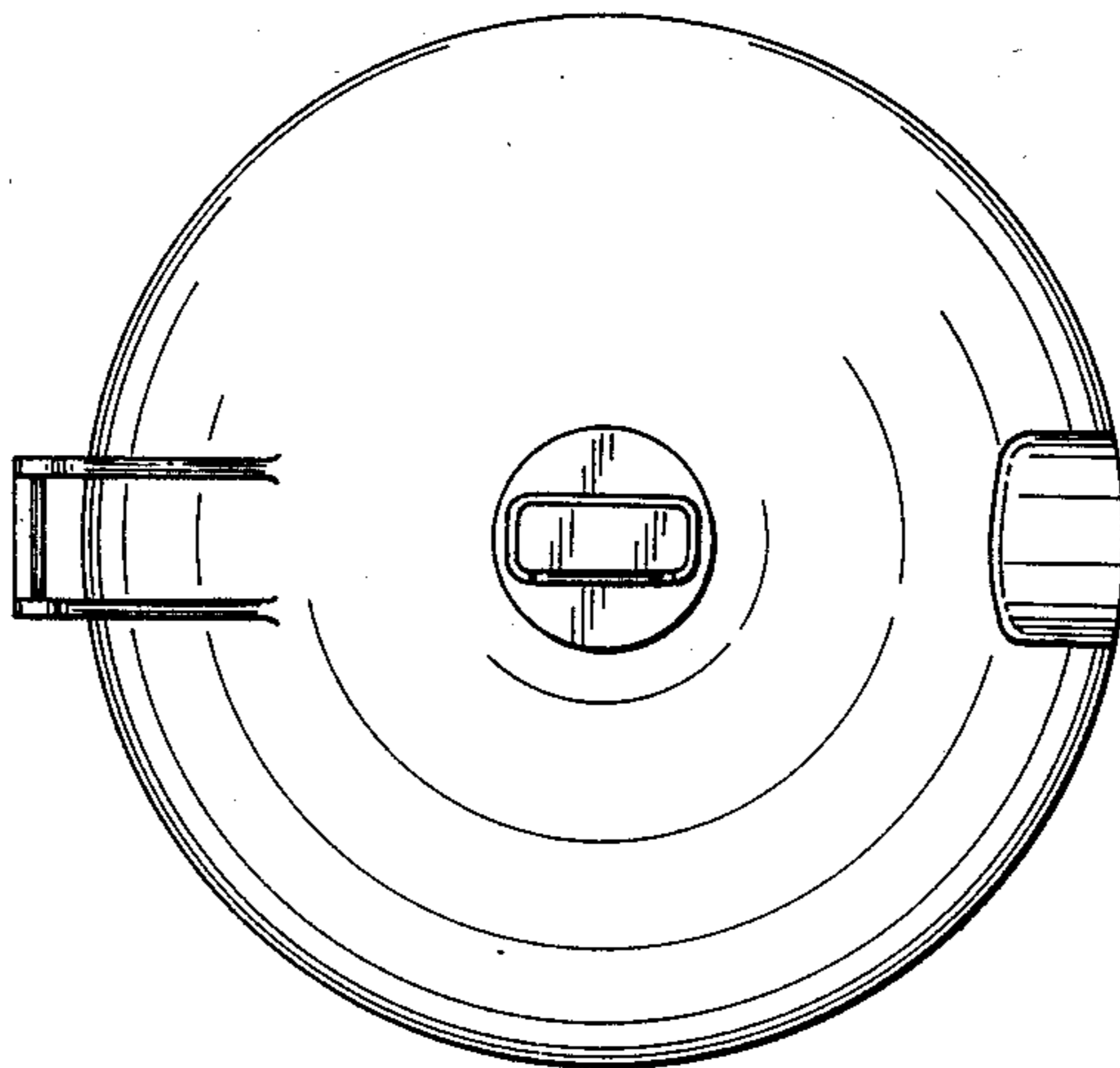
Primary Examiner—B. J. Bullock
Assistant Examiner—Dominic Simone
Attorney, Agent, or Firm—Fay, Sharpe, Beall, Fagan, Minnich & McKee

[57] CLAIM

The ornamental design for a container lid, as shown.

DESCRIPTION

FIG. 1 is a top plan view of a container lid showing our new design;
FIG. 2 is a front elevational view thereof, the rear being a mirror image;
FIG. 3 is a left-side elevational view thereof;
FIG. 4 is a right-side elevational view thereof; and,
FIG. 5 is a bottom plan view thereof.



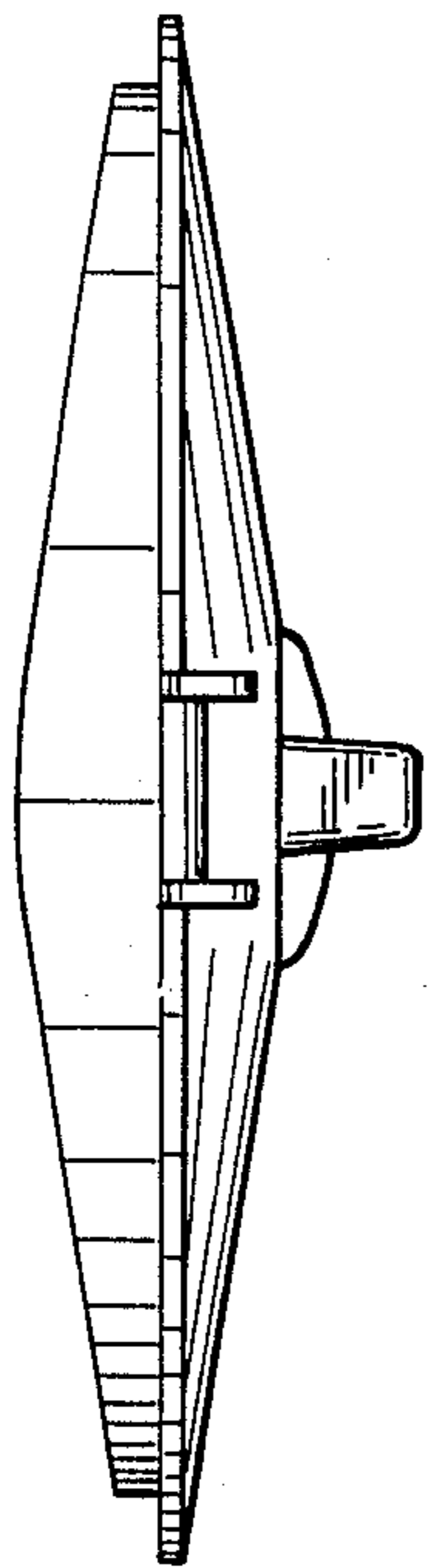


FIG. 3

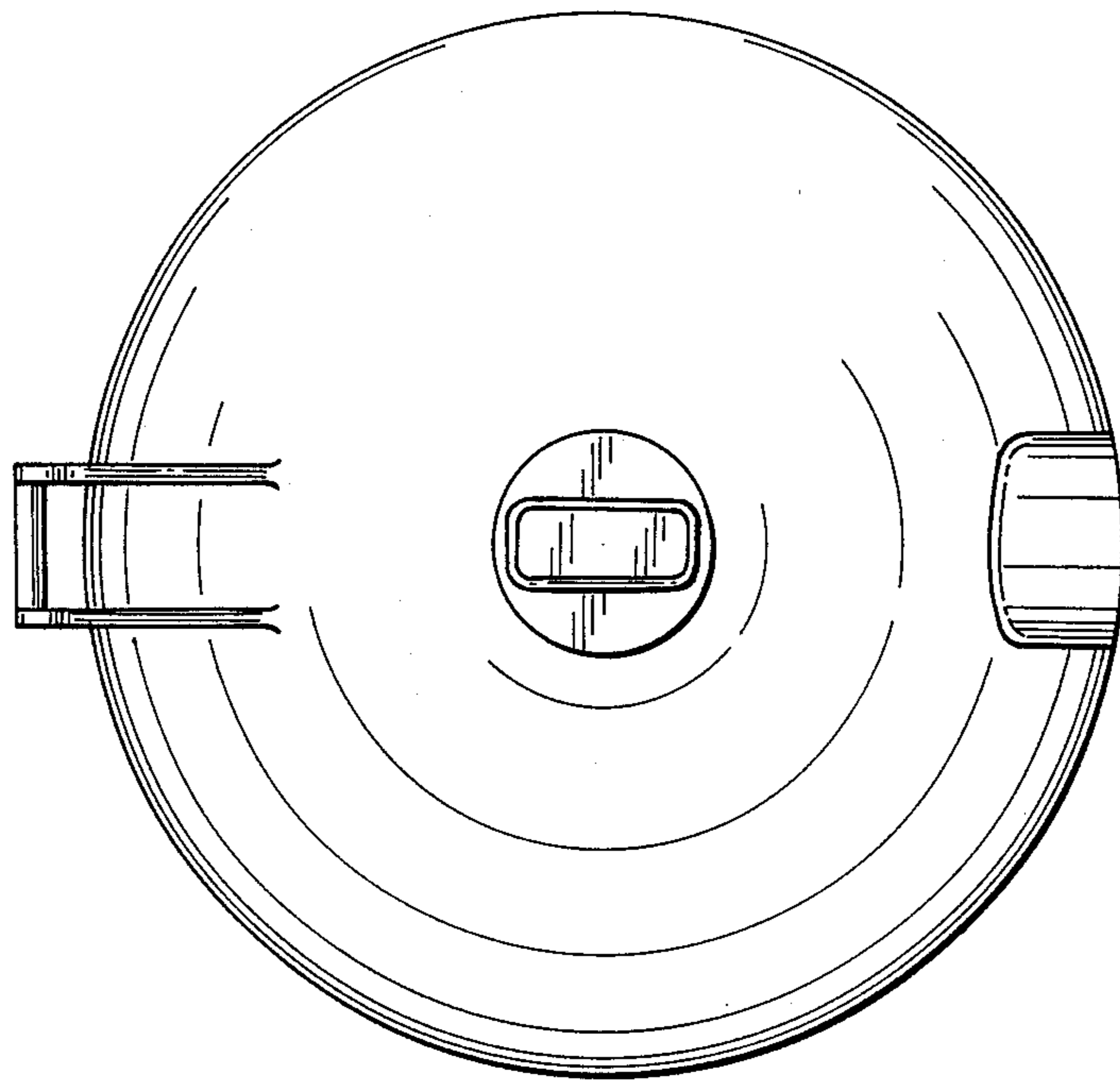


FIG. 1

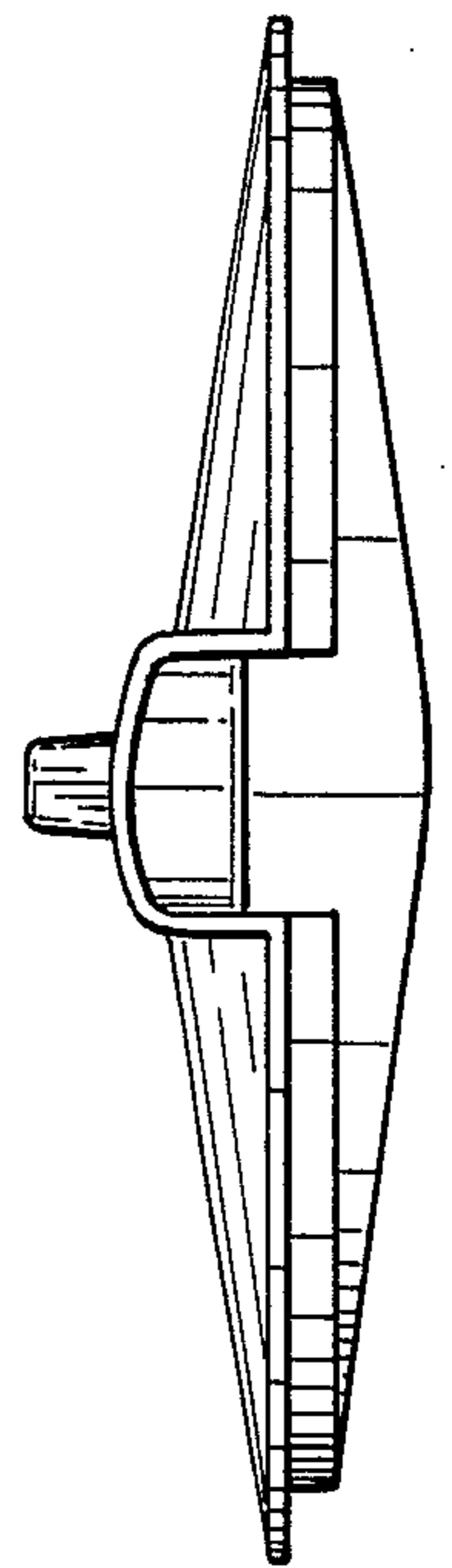


FIG. 4

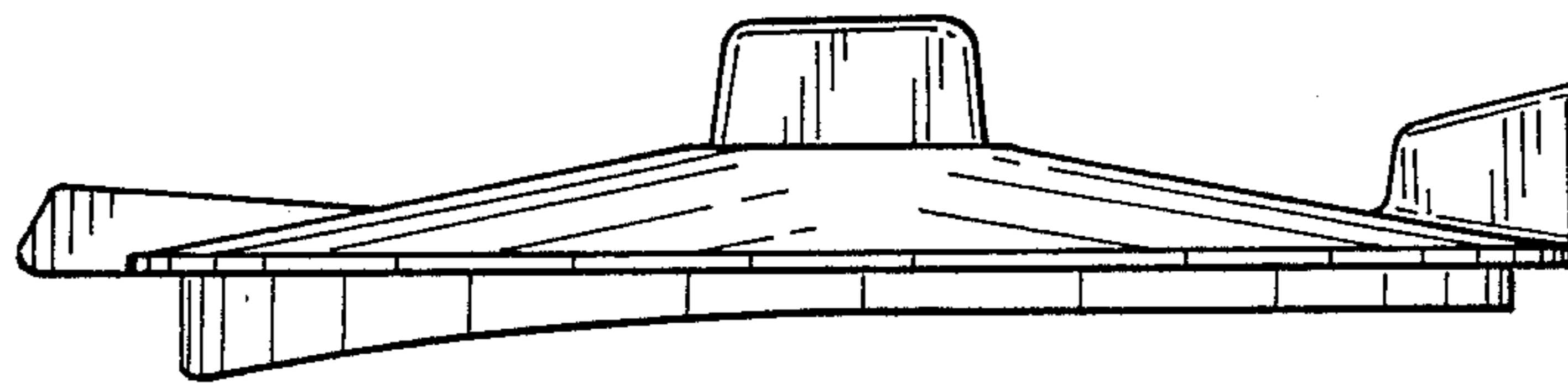


FIG. 2

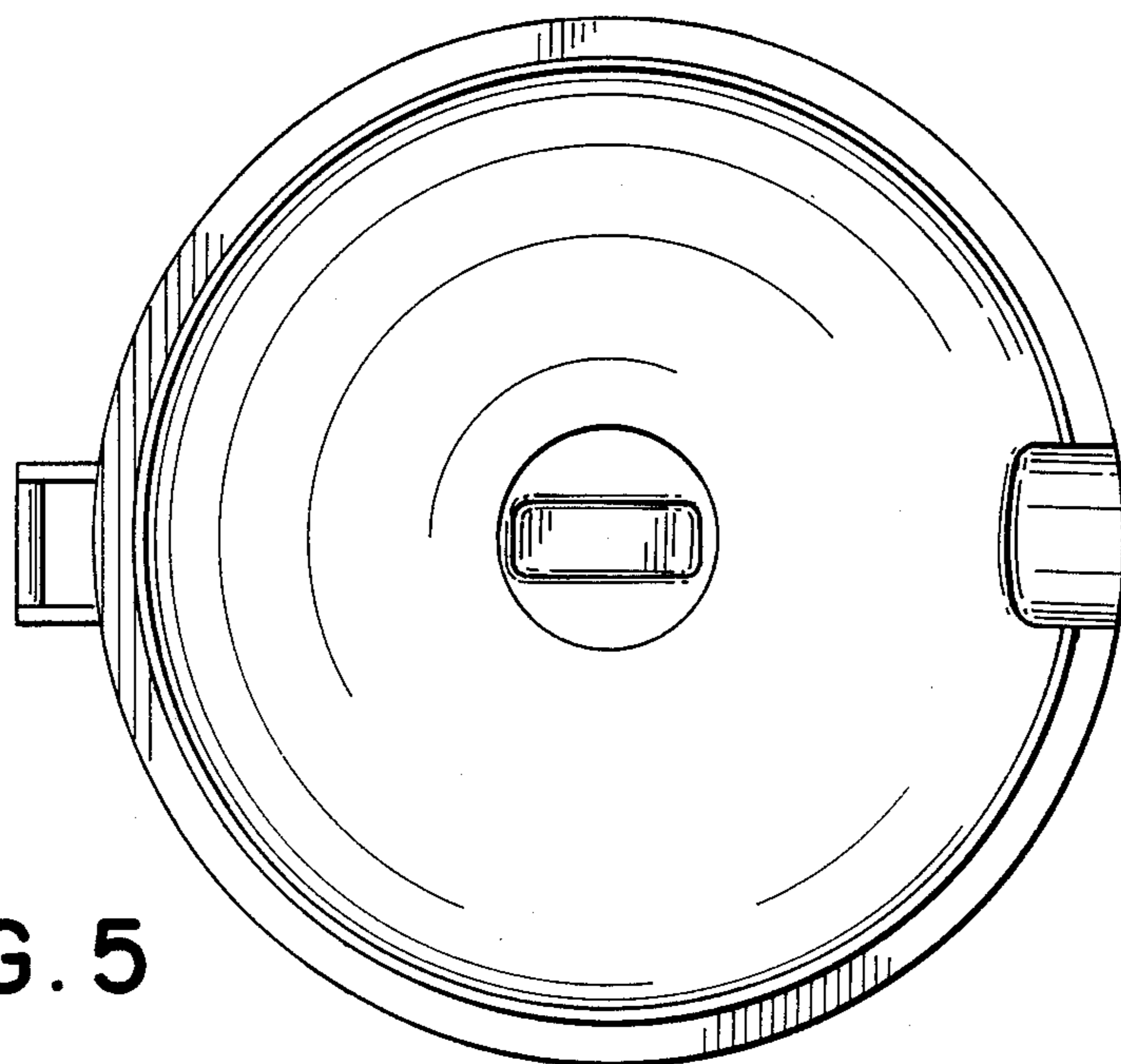


FIG. 5