

[54] **COMBINED POT LID AND UTENSIL HOLDER**

[76] **Inventor: Mark A. Leighton, 2200 Fifth Ave., Helena, Mont. 59601**

[\*\*] **Term: 14 Years**

[21] **Appl. No.: 16,860**

[22] **Filed: Feb. 20, 1987**

[52] **U.S. Cl. .... D7/73**

[58] **Field of Search ..... D7/73; 248/37.3, 37.6; 211/60.1, 41; D6/467**

[56] **References Cited**

**U.S. PATENT DOCUMENTS**

D. 265,622	8/1982	Bartels .....	D7/73
3,028,972	4/1962	Guillaumant .....	211/41
3,141,553	7/1964	Hatfield et al. ....	211/41

3,282,437	11/1966	Hansen .....	211/41
3,326,387	6/1967	Princevalle .....	211/41

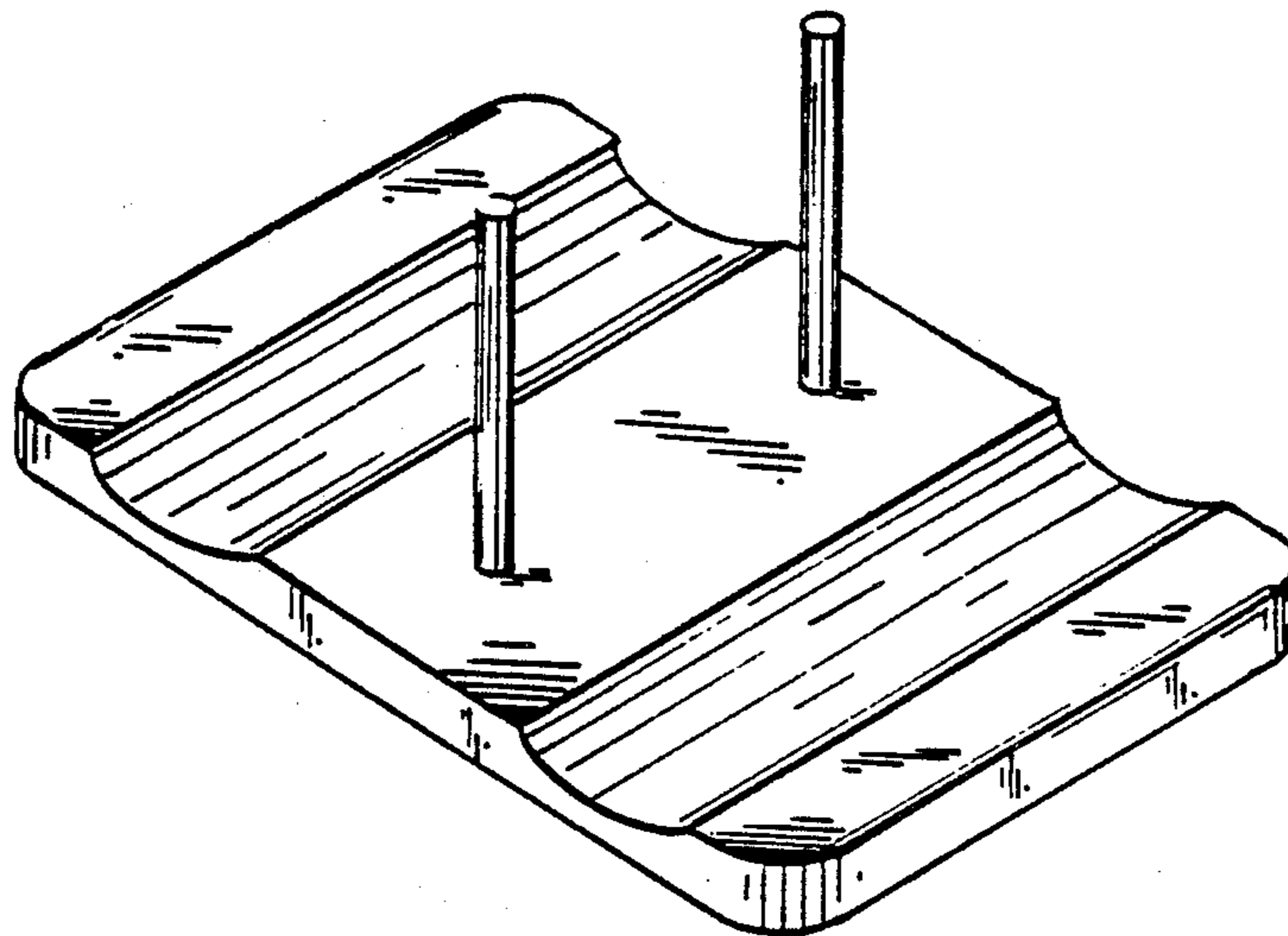
*Primary Examiner*—Bernard Ansher  
*Assistant Examiner*—Terry A. Pfeffer  
*Attorney, Agent, or Firm*—Henderson & Sturm

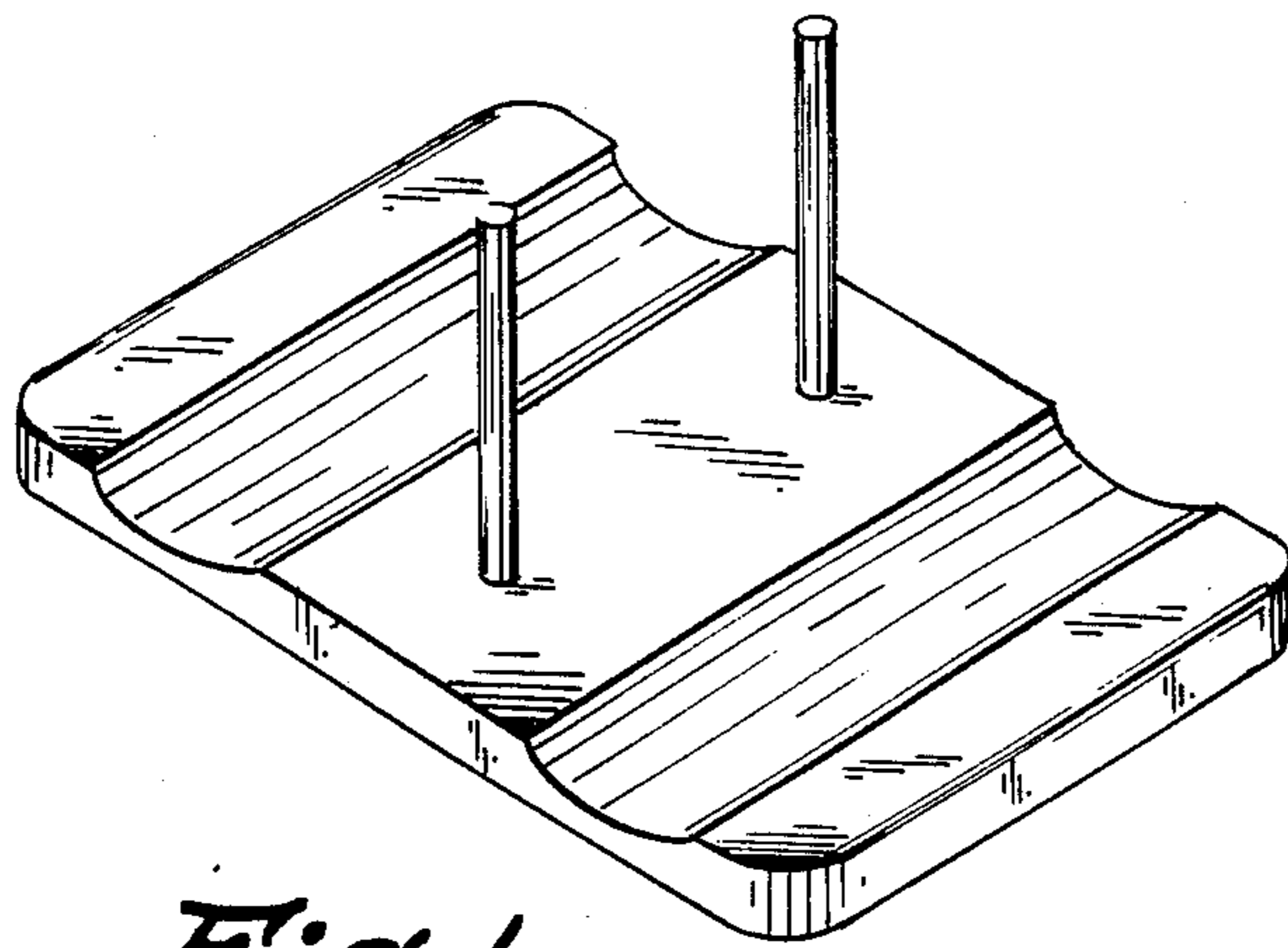
[57] **CLAIM**

The ornamental design for a combined pot lid and utensil holder, as shown and described.

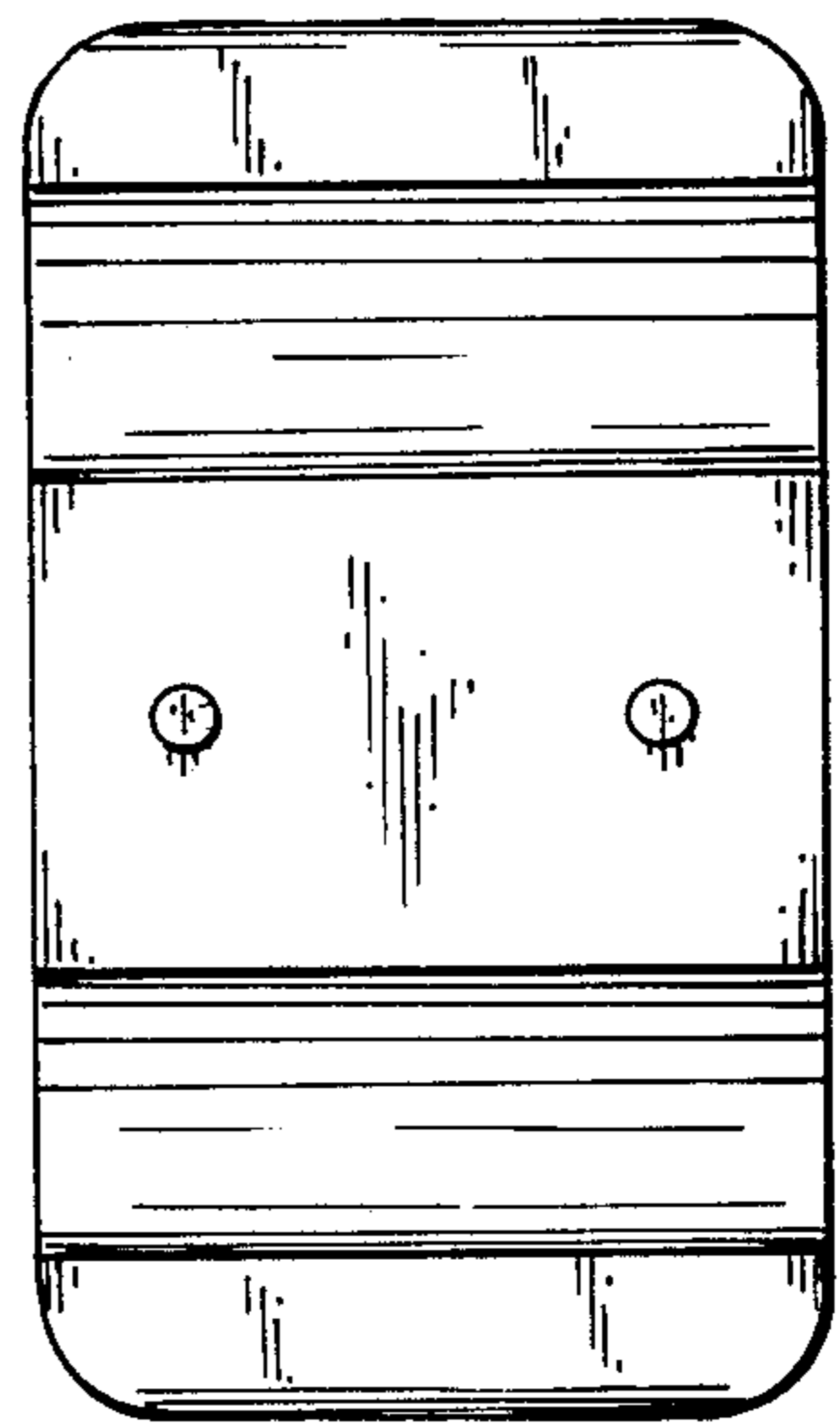
**DESCRIPTION**

FIG. 1 is a perspective view of a combined pot lid and utensil holder showing my new design; FIG. 2 is a top plan view thereof; FIG. 3 is a side elevational view thereof; FIG. 4 is a front elevational view thereof; FIG. 5 is a bottom plan view thereof; and FIG. 6 is a reduced perspective view thereof, the spatula and lid in broken lines for illustrative purposes only.

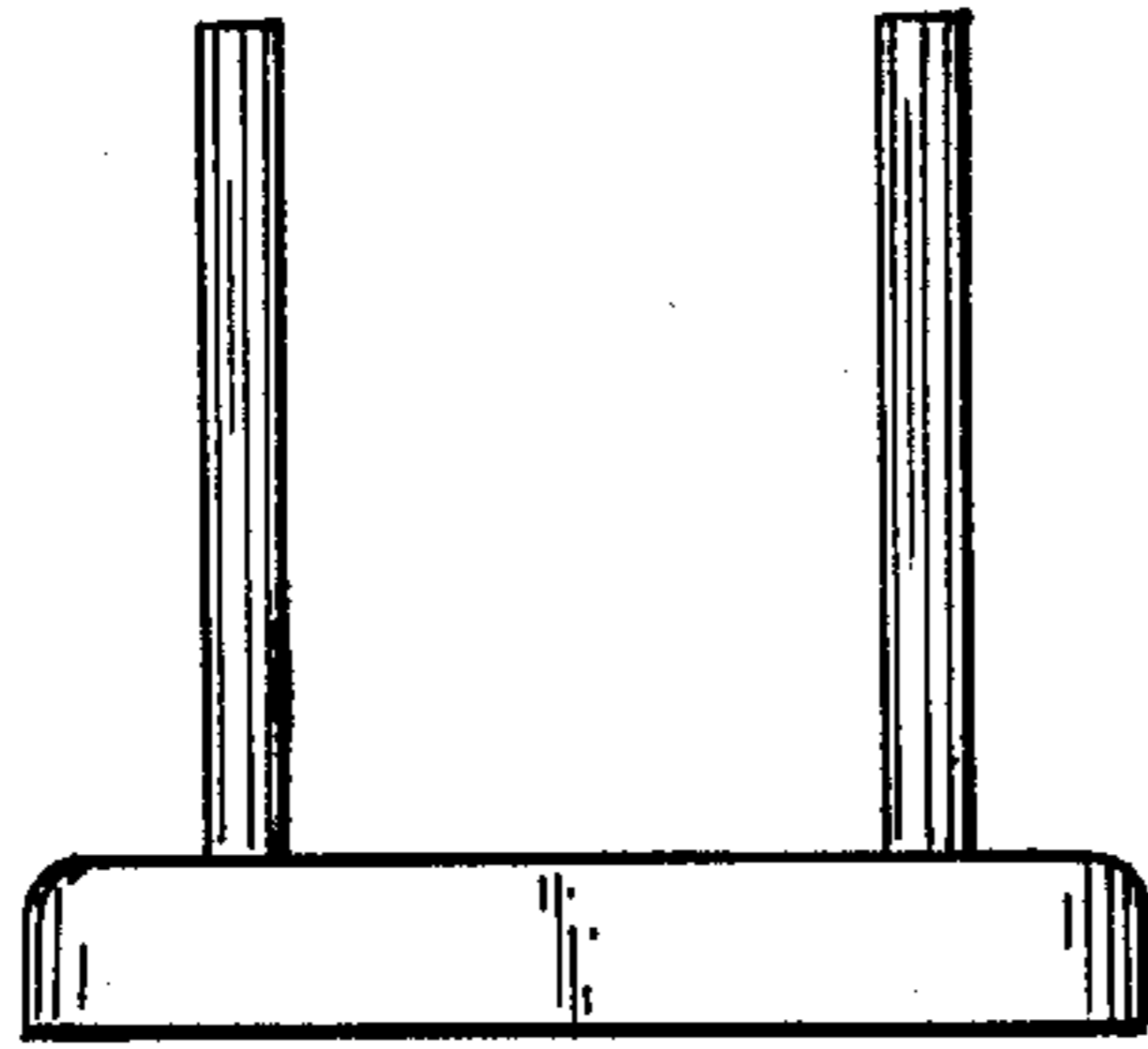




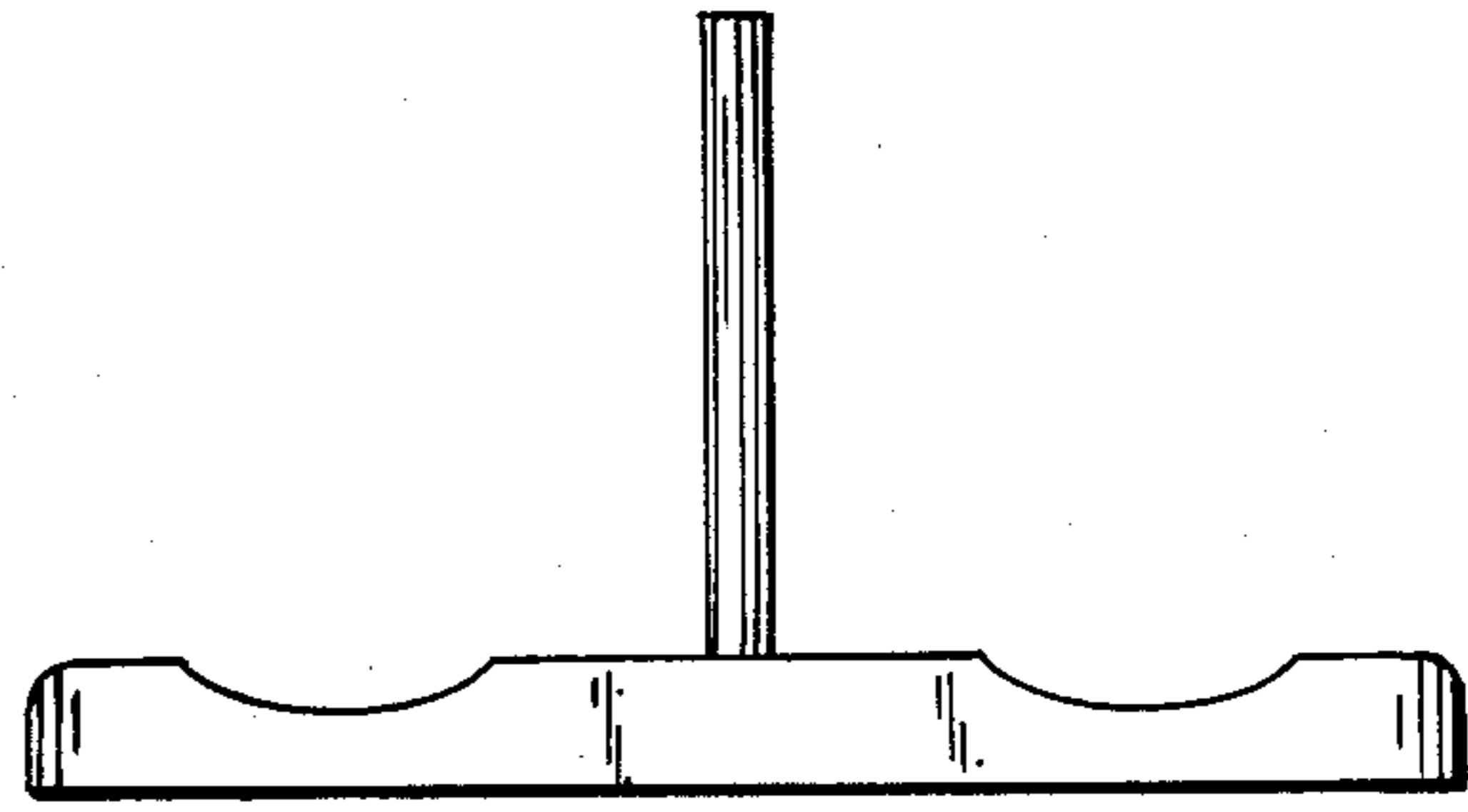
*Fig. 1*



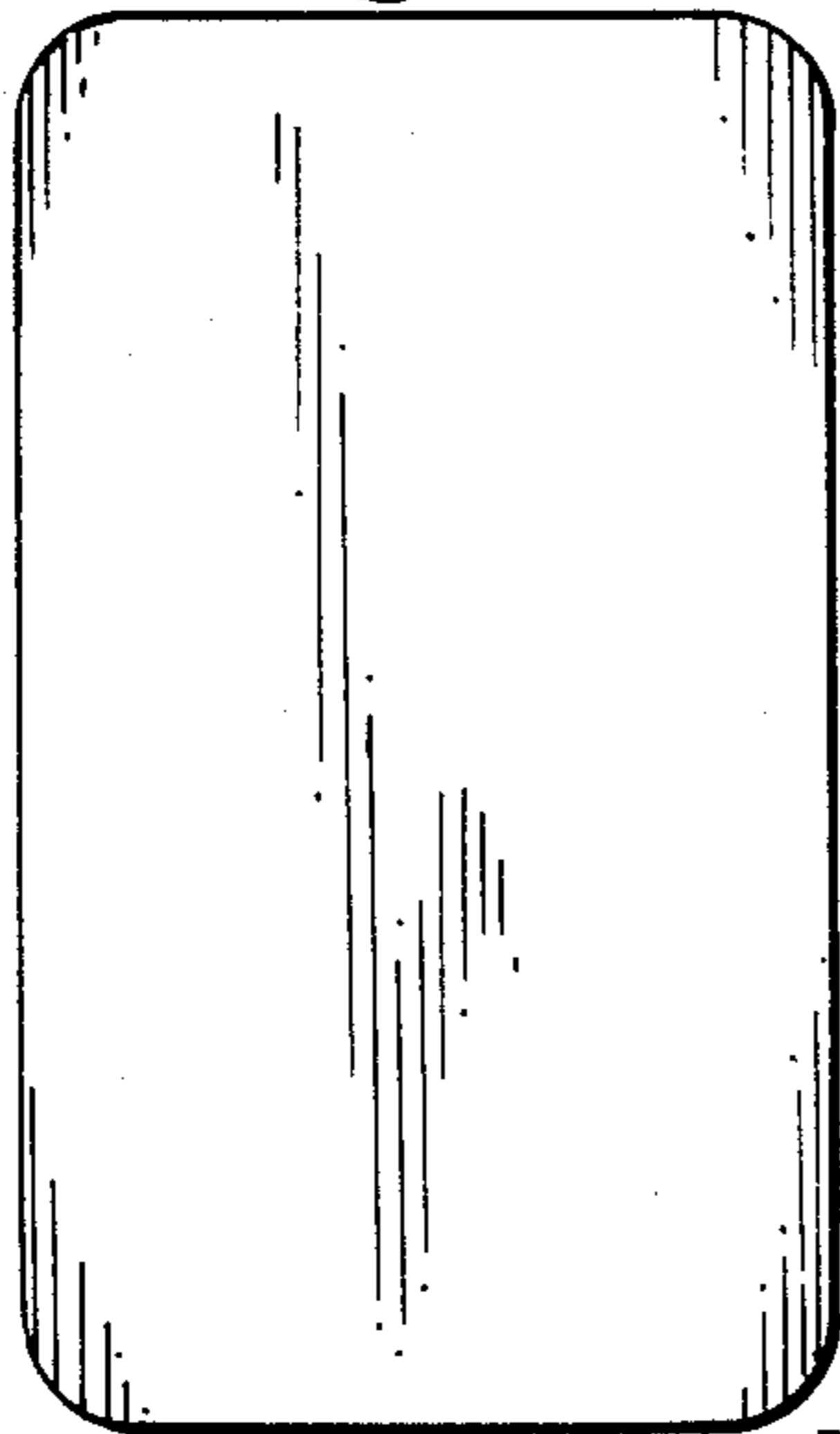
*Fig. 2*



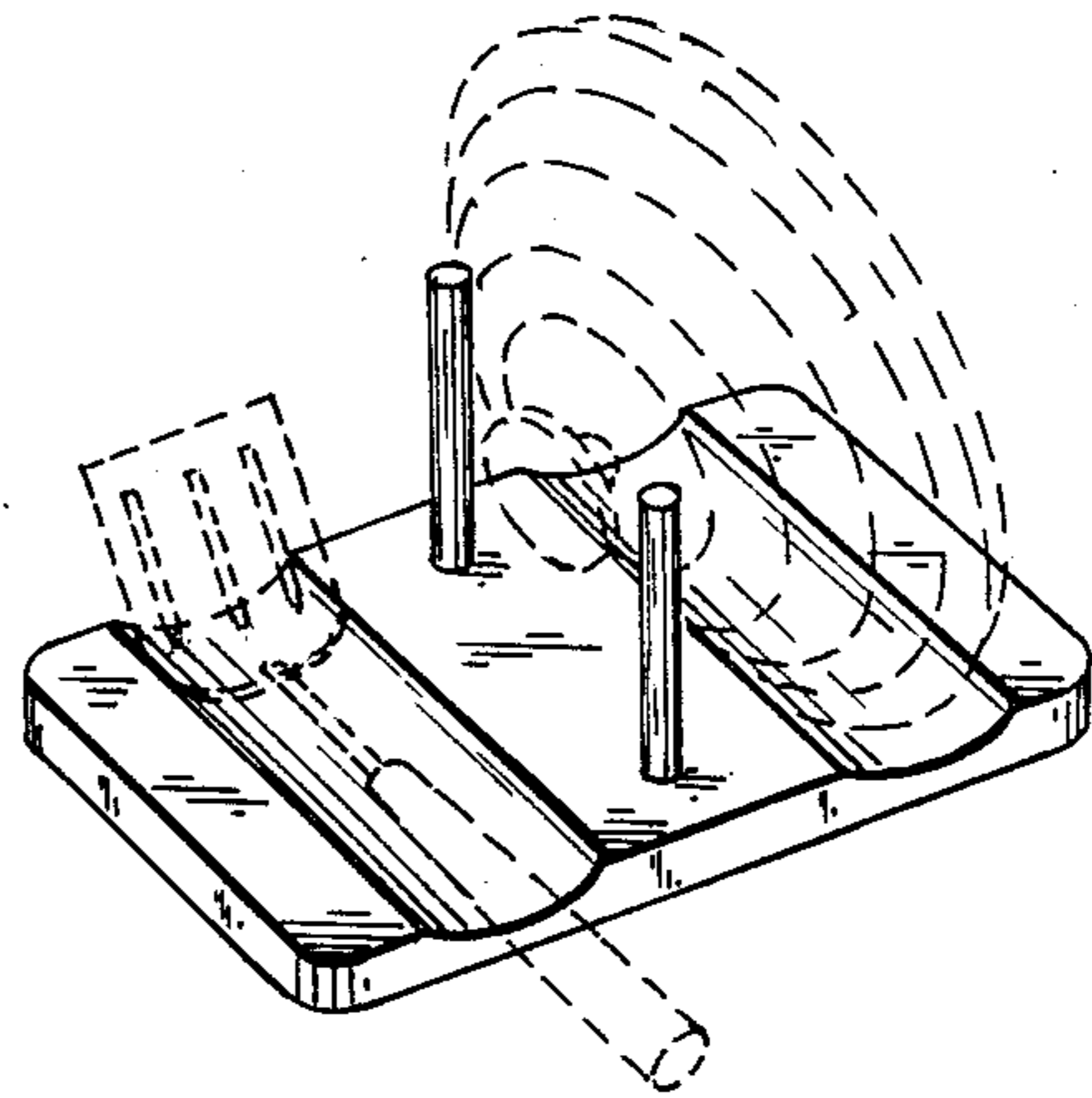
*Fig. 3*



*Fig. 4*



*Fig. 5*



*Fig. 6*