

[54] CONDIMENT MILL

[76] Inventor: William E. Bounds, P.O. Box 1547, Torrance, Calif. 90505

[\*\*] Term: 14 Years

[21] Appl. No.: 875,657

[22] Filed: Jun. 17, 1986

[52] U.S. Cl. .... D7/53

[58] Field of Search ..... D7/52-58; 222/142.1-142.9; 241/168, 169, 169.1; D9/366, 359, 418, 432

[56] References Cited

U.S. PATENT DOCUMENTS

- D. 287,088 12/1986 Bounds ..... D7/53
- D. 287,209 12/1986 Bounds ..... D7/53

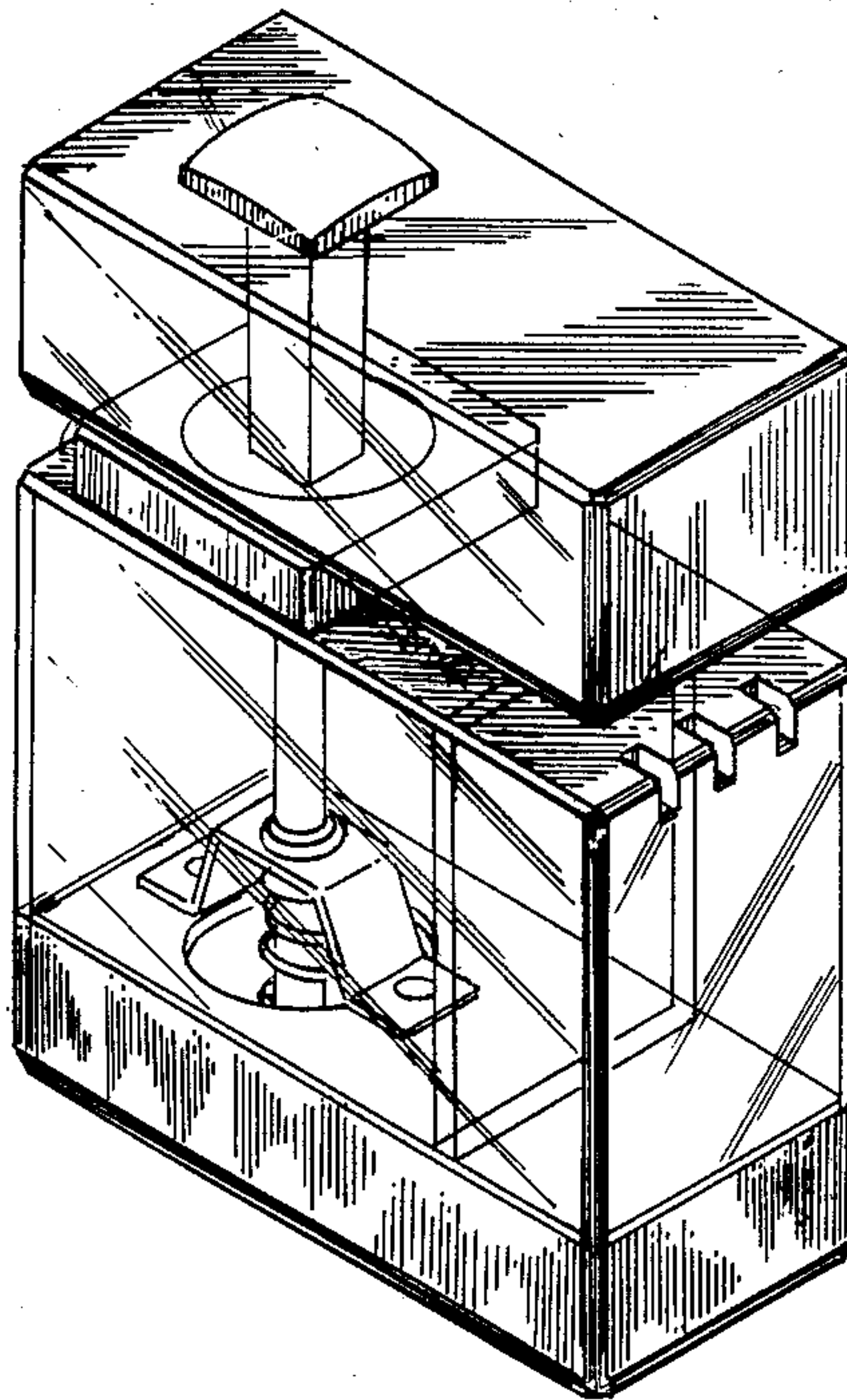
Primary Examiner—Bernard Ansher  
Assistant Examiner—Terry A. Pfeffer  
Attorney, Agent, or Firm—Edward A. Sokolski

[57] CLAIM

The ornamental design for a condiment mill, as shown and described.

DESCRIPTION

FIG. 1 is a top plan view of a condiment mill showing my new design;  
FIG. 2 is a right side elevational view thereof;  
FIG. 3 is a rear elevational view thereof;  
FIG. 4 is a front elevational view thereof;  
FIG. 5 is a bottom plan view thereof; and  
FIG. 6 is a perspective view thereof.  
The side opposite to that shown in FIG. 2 is the mirror image thereof.



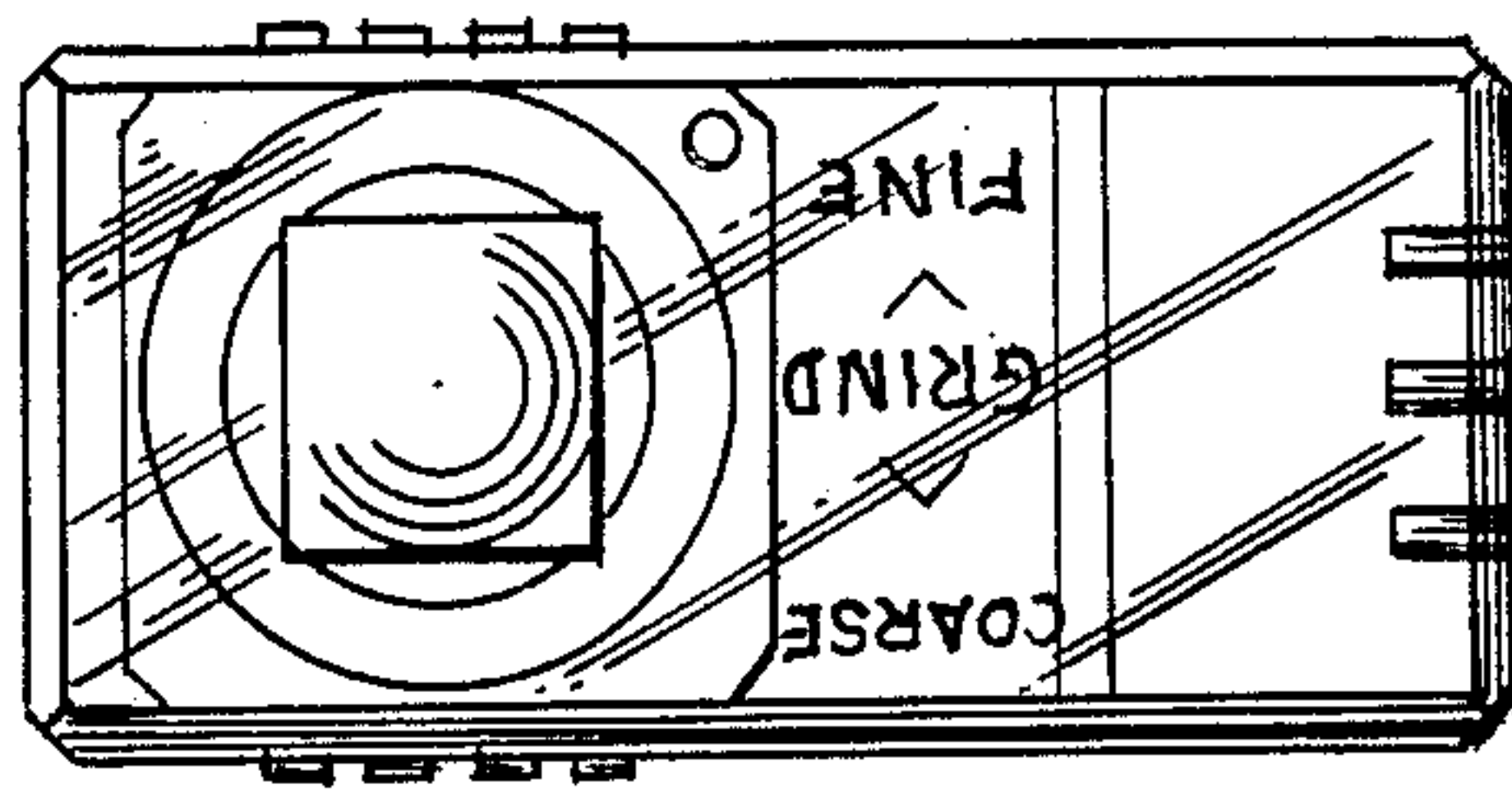


Fig. 1

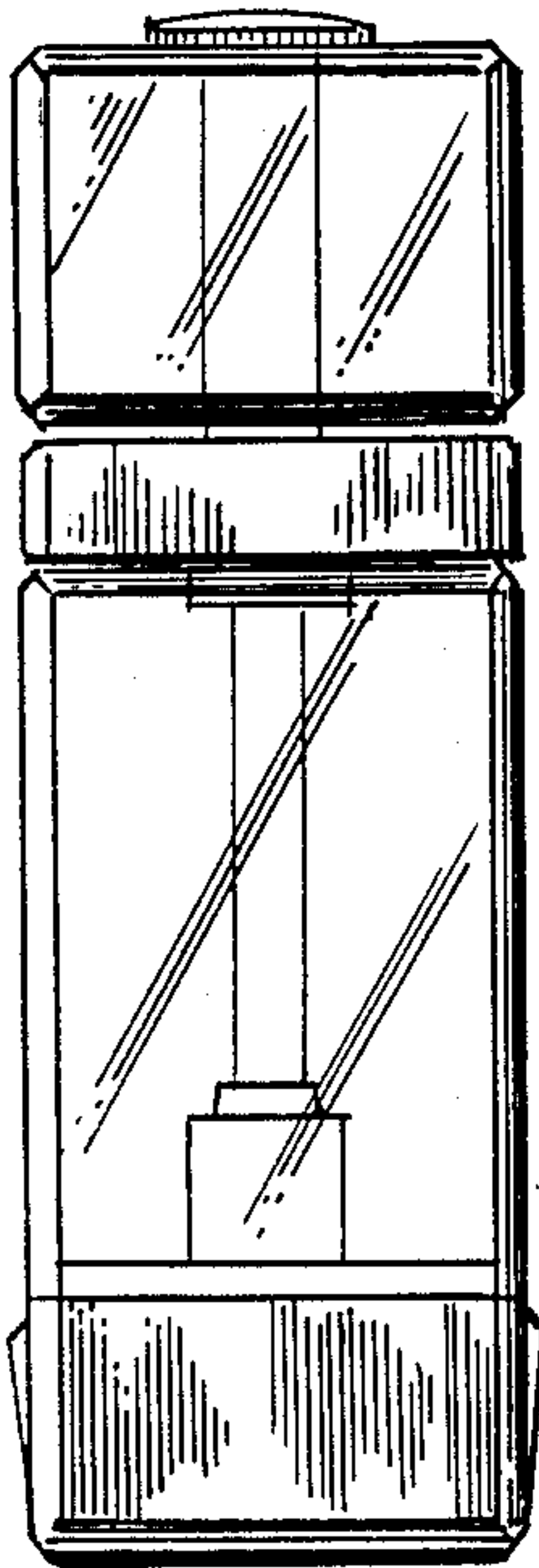


Fig. 3

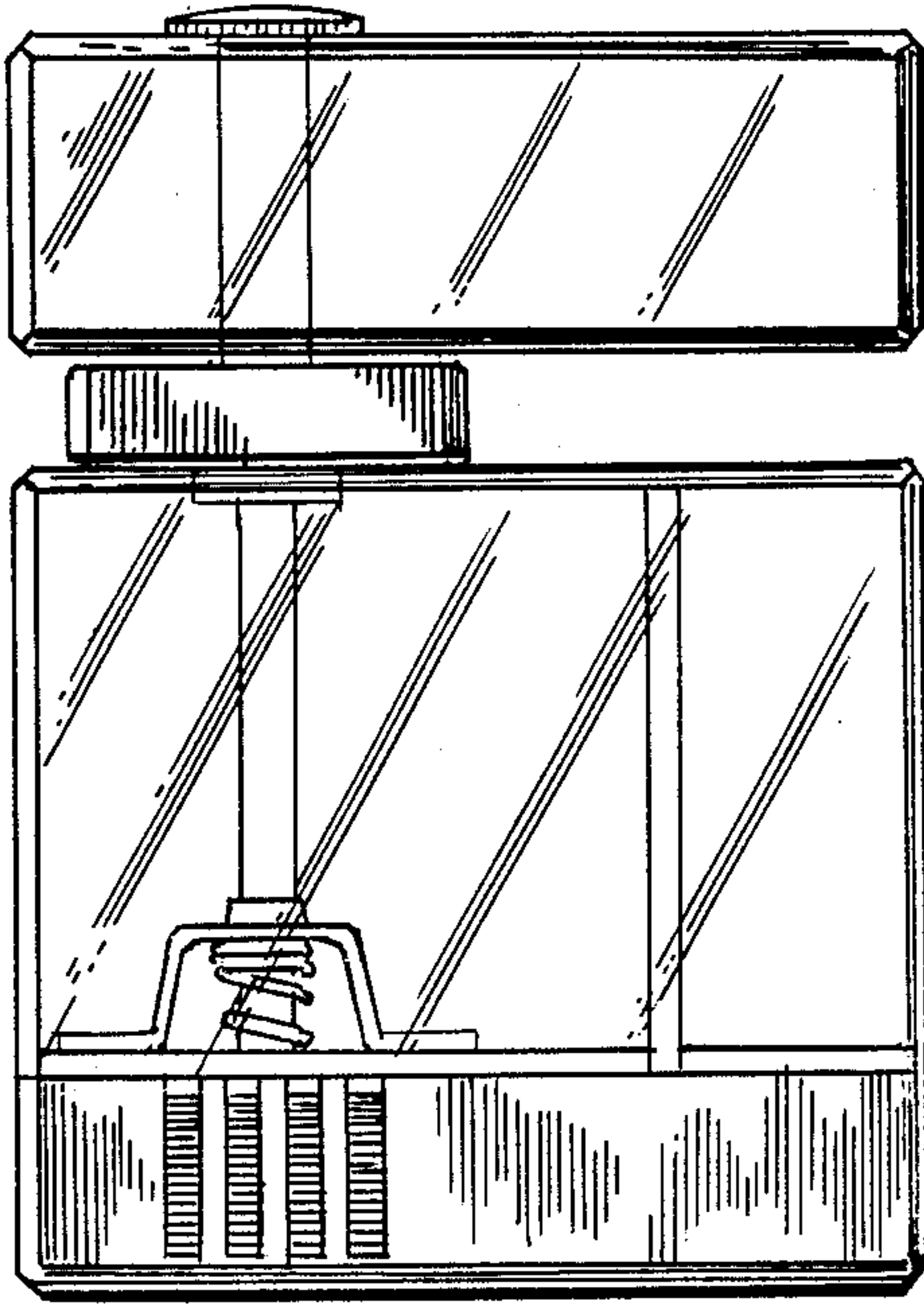


Fig. 2

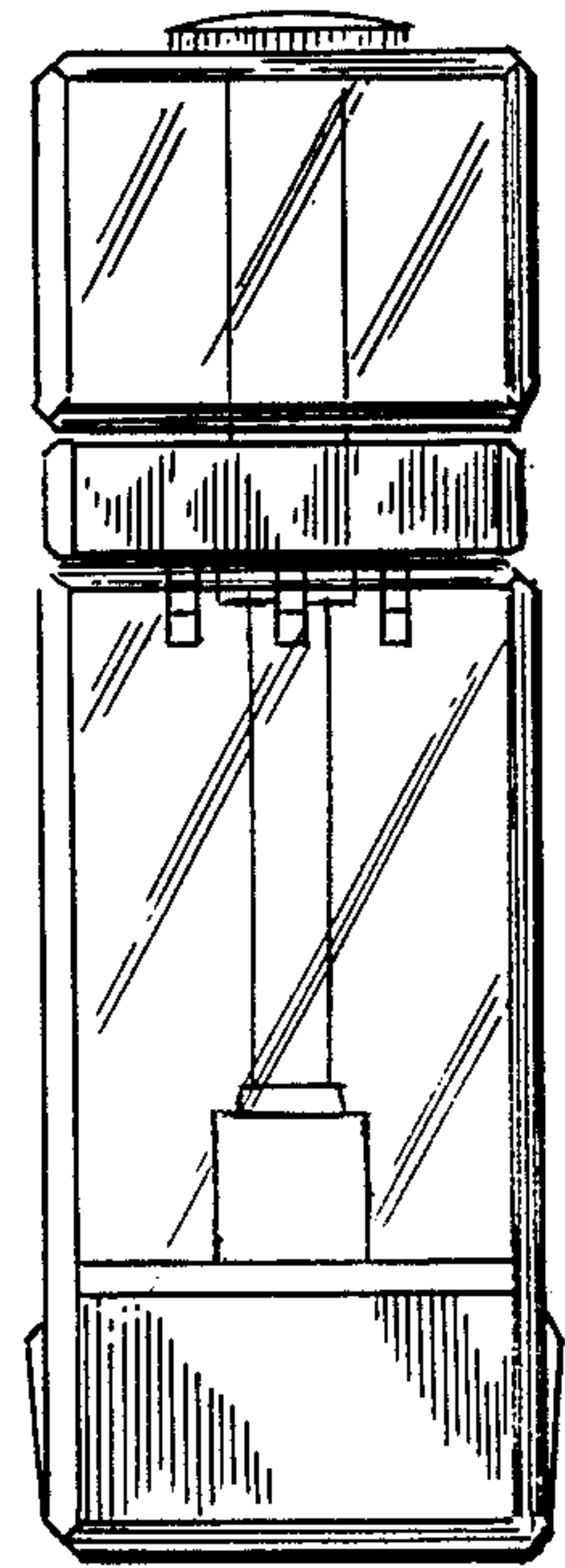


Fig. 4

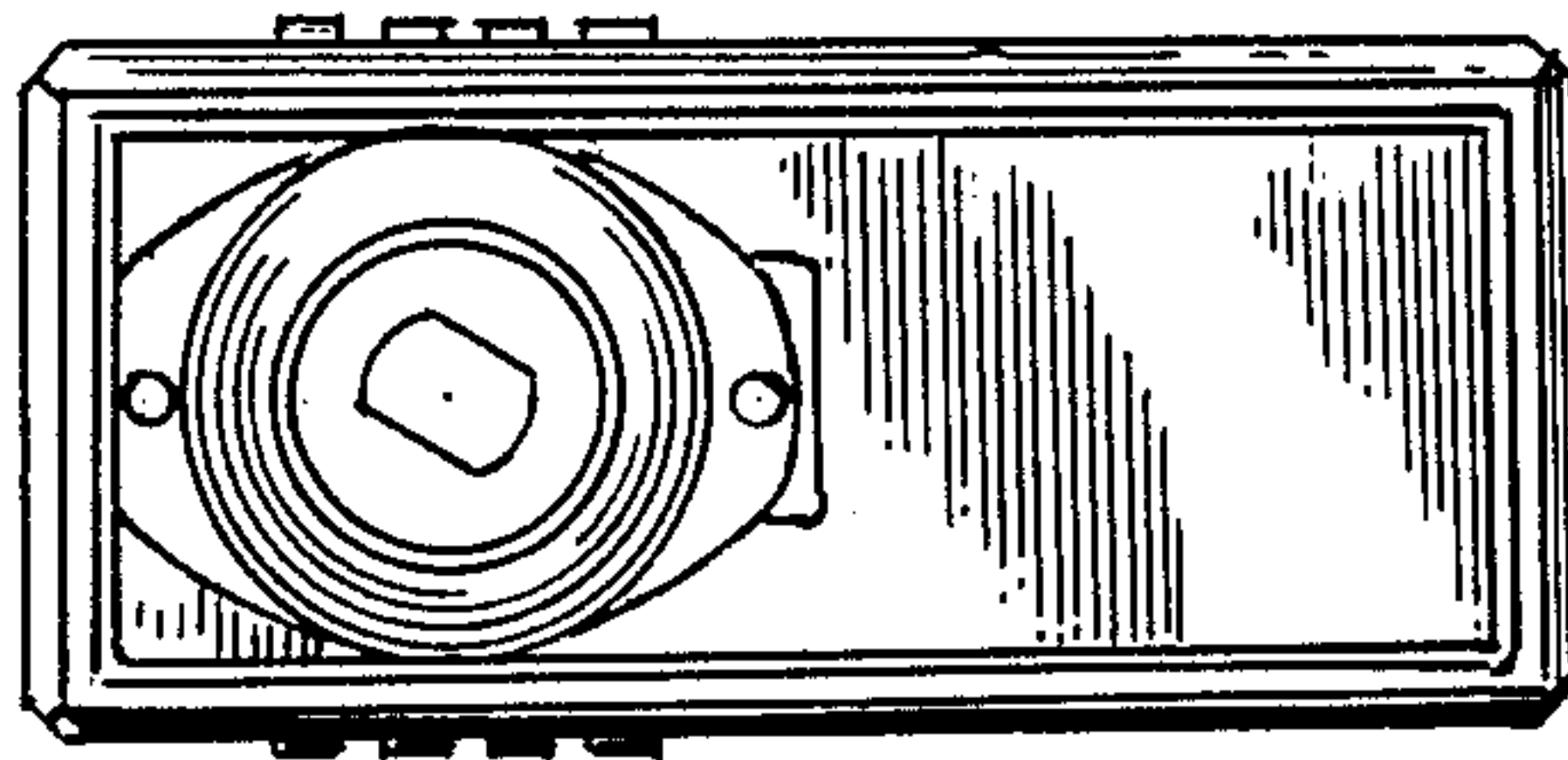


Fig. 5

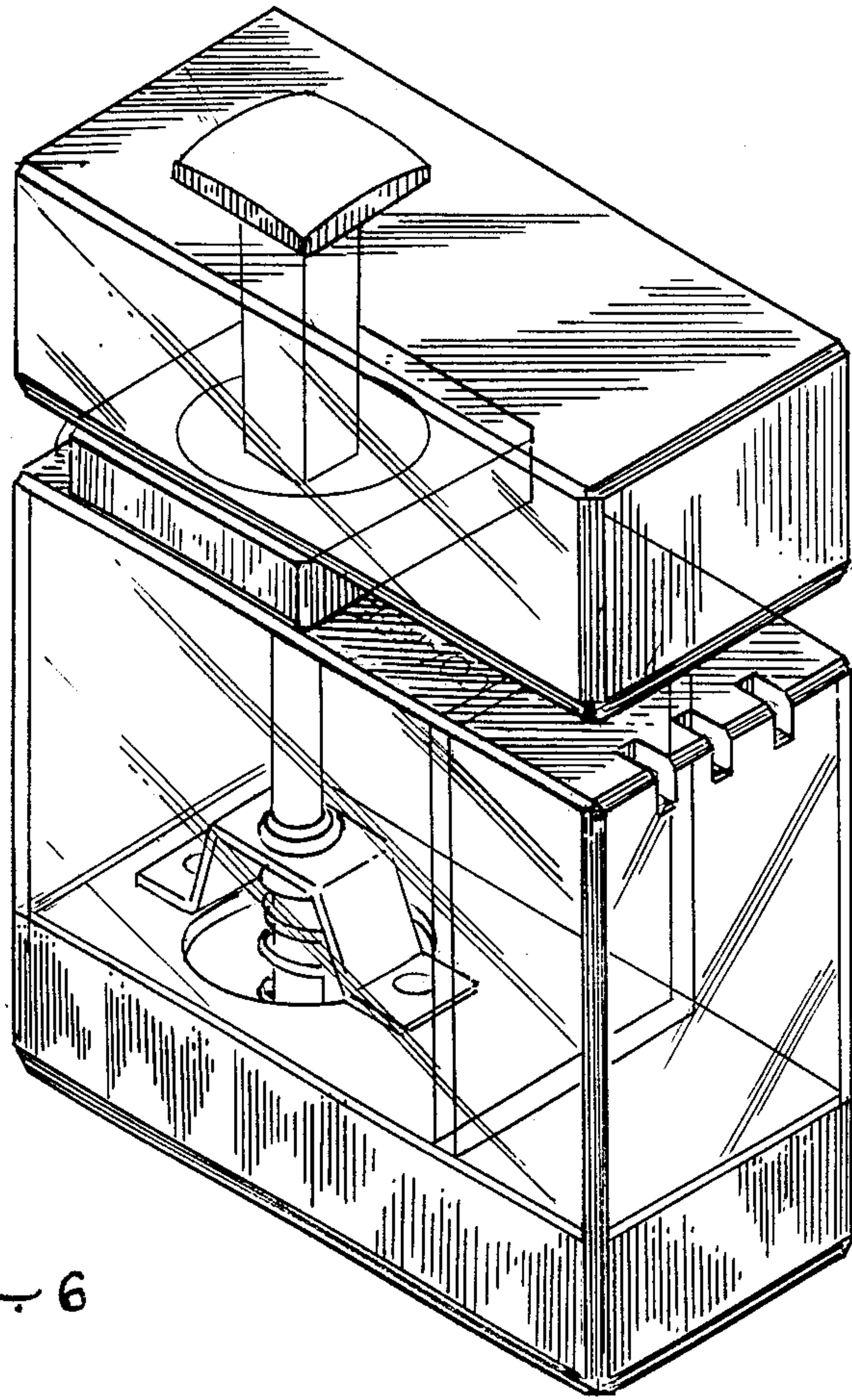


Fig. 6