

[54] COMBINED MIRRORED CABINET AND LIGHTS

4,267,430 5/1981 Downey 312/224 X

[76] Inventor: Heinz G. Baus, 35 Wartbodenstrasse, CH-3626 Hünibach-Thun, Switzerland

[**] Term: 14 Years

[21] Appl. No.: 85,693

[22] Filed: Aug. 17, 1987

[30] Foreign Application Priority Data

Mar. 16, 1987 [WO] World Int. Prop. O. DM/008330

[52] U.S. Cl. D6/561; D6/559

[58] Field of Search D6/553, 559-561, D6/432, 444-446, 447-448; D26/51, 56, 58; 312/209, 224, 227, 242, 245, 294-295

[56] References Cited

U.S. PATENT DOCUMENTS

- D. 144,594 4/1946 Simpson D6/559
- D. 163,448 5/1951 Eckert D6/559
- D. 220,762 5/1971 Dial, Jr. D6/559
- D. 259,160 5/1981 Crosbie, Sr. D6/559
- D. 280,876 10/1985 Chabanet D6/444 X
- D. 285,887 9/1986 Palka D6/559
- 3,684,344 8/1972 Gilinger 312/224 X

OTHER PUBLICATIONS

Standard Steel Cabinet Co. Cat. (1959), p. 7. Marienbad Catalogue (1983).

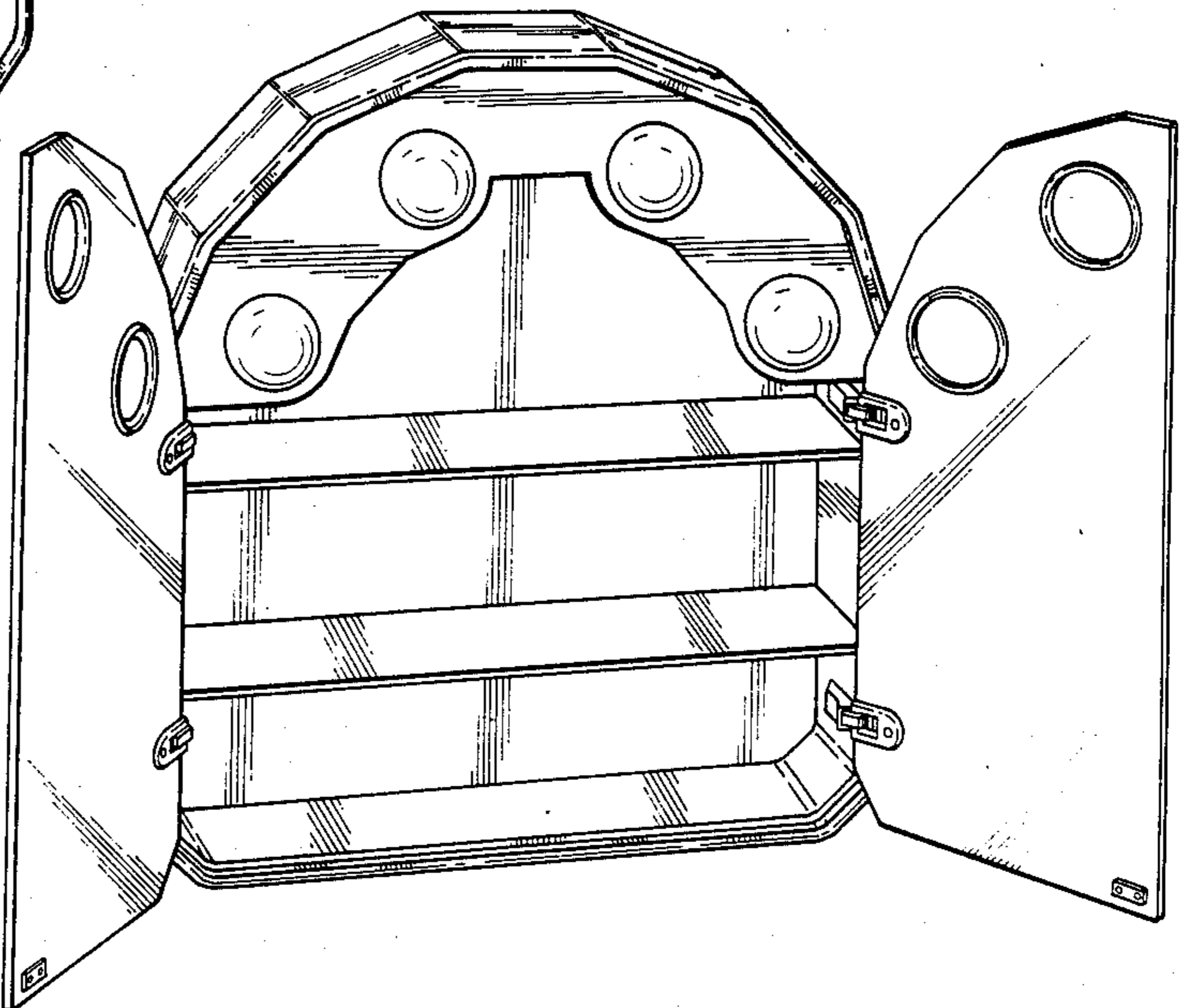
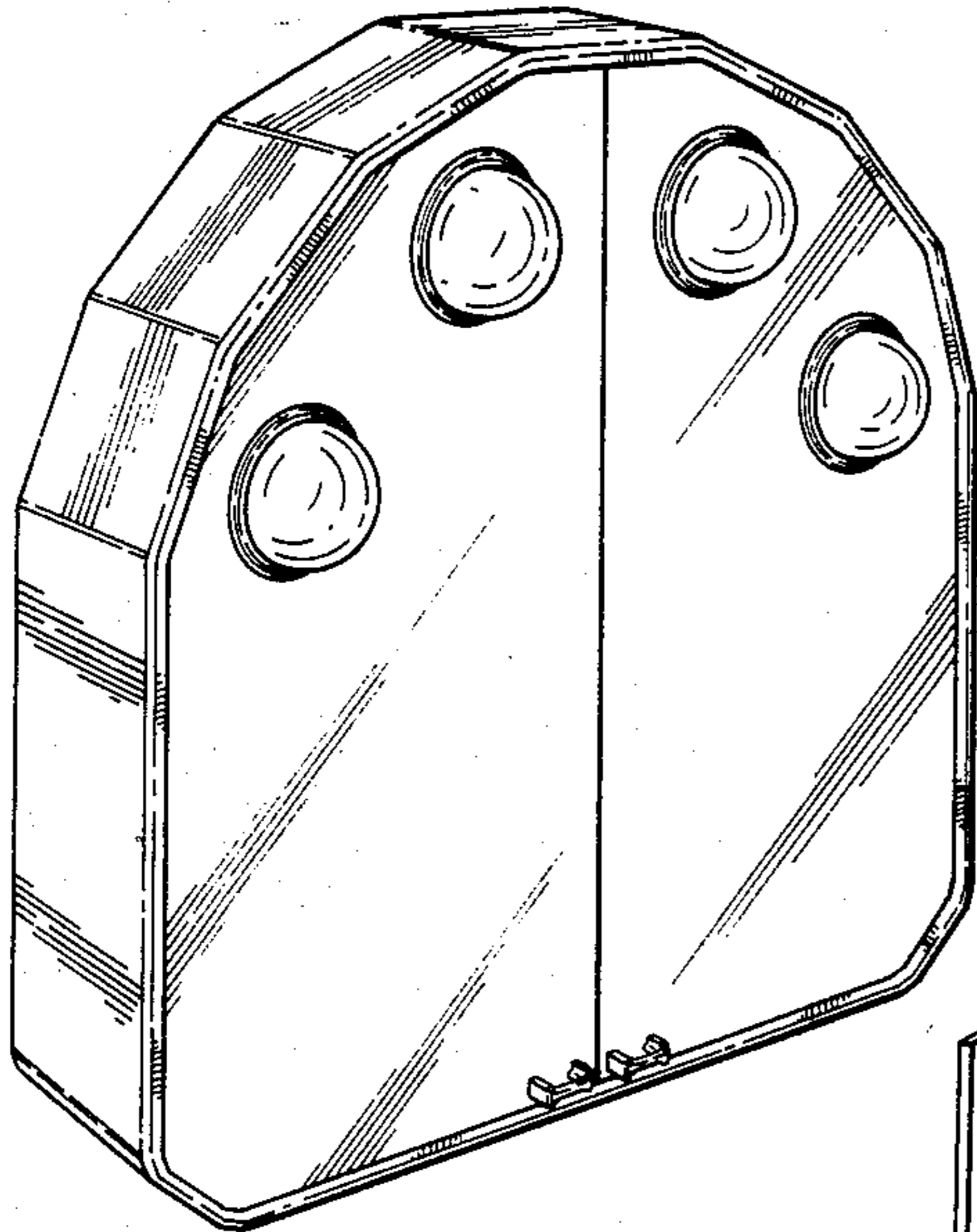
Primary Examiner—Wallace R. Burke
Assistant Examiner—Brian N. Vinson
Attorney, Agent, or Firm—Foley & Lardner, Schwartz, Jeffery, Schwaab, Mack, Blumenthal & Evans

[57] CLAIM

The ornamental design for a combined mirrored cabinet and lights, as shown and described.

DESCRIPTION

FIG. 1 is a top, front and left side perspective view of a combined mirrored cabinet and lights showing my new design;
FIG. 2 is a top, front and left side perspective view thereof, with the cabinet doors shown in open position;
FIG. 3 is a front elevational view thereof;
FIG. 4 is a top plan view thereof;
FIG. 5 is a left side elevational view thereof, the right side being a mirror image of that shown;
FIG. 6 is a rear elevational view thereof; and
FIG. 7 is a bottom plan view thereof.
The electrical power cord in the views is shown broken-away to indicate indeterminate length.



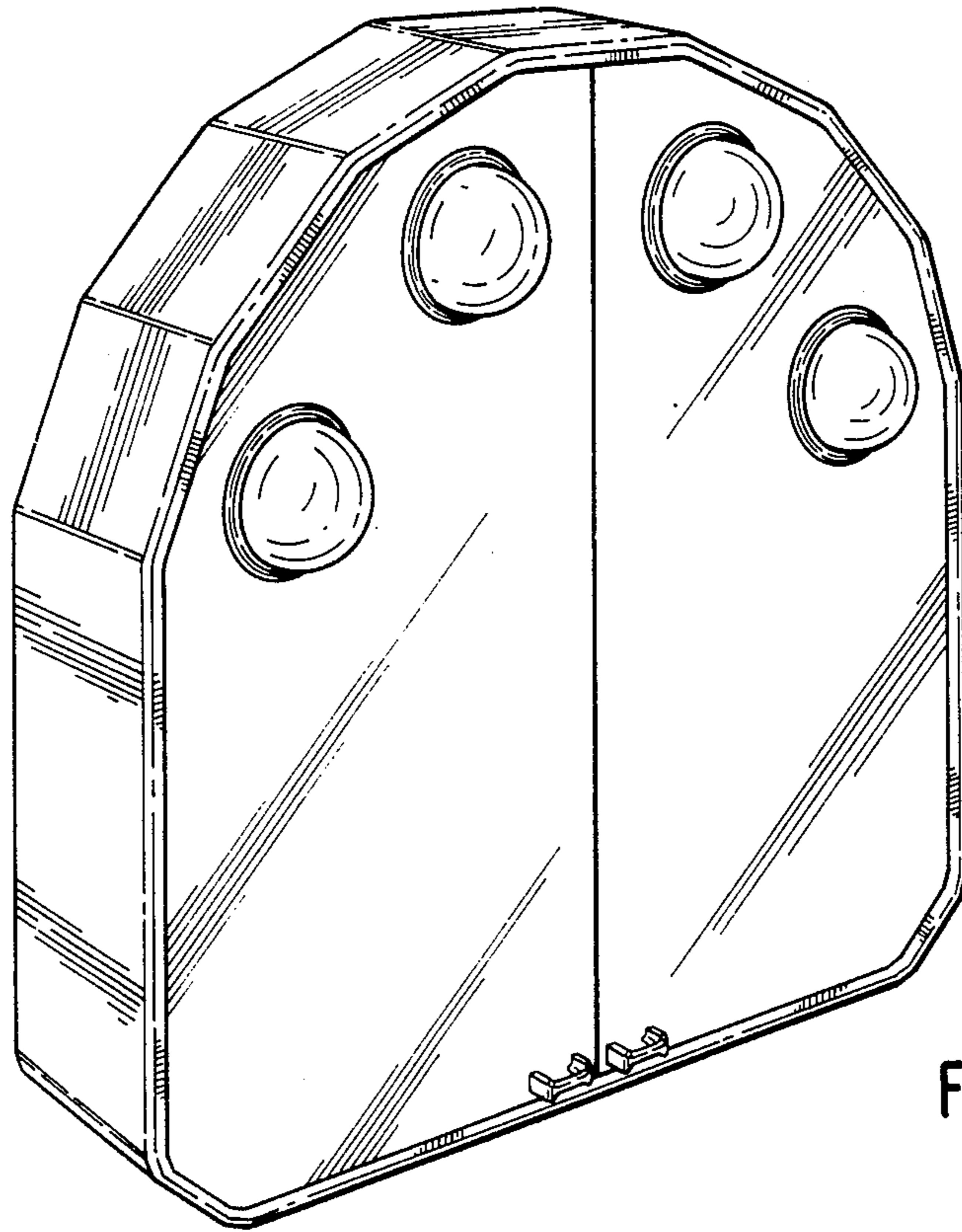


FIG. 1

FIG. 6

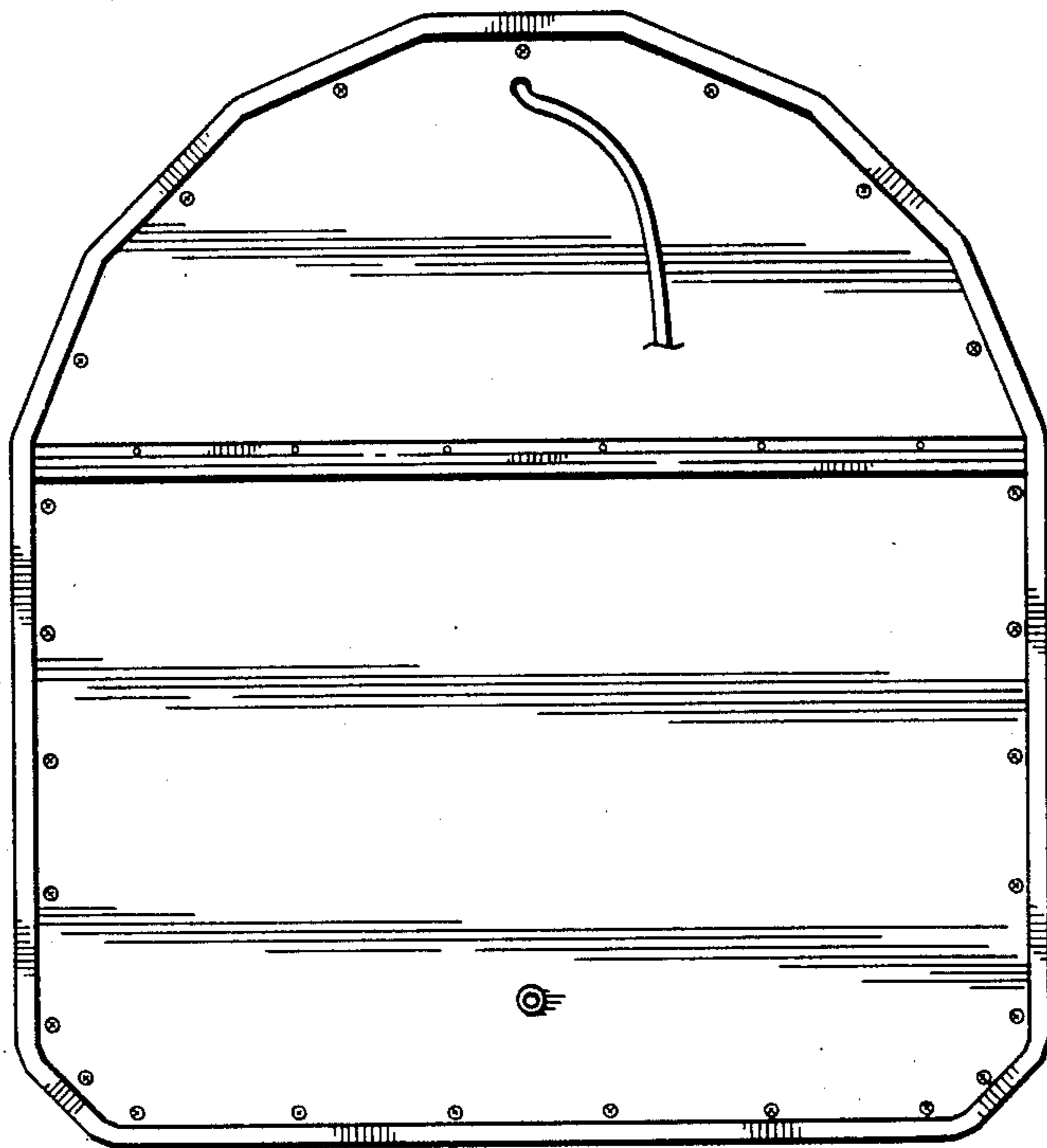


FIG. 2

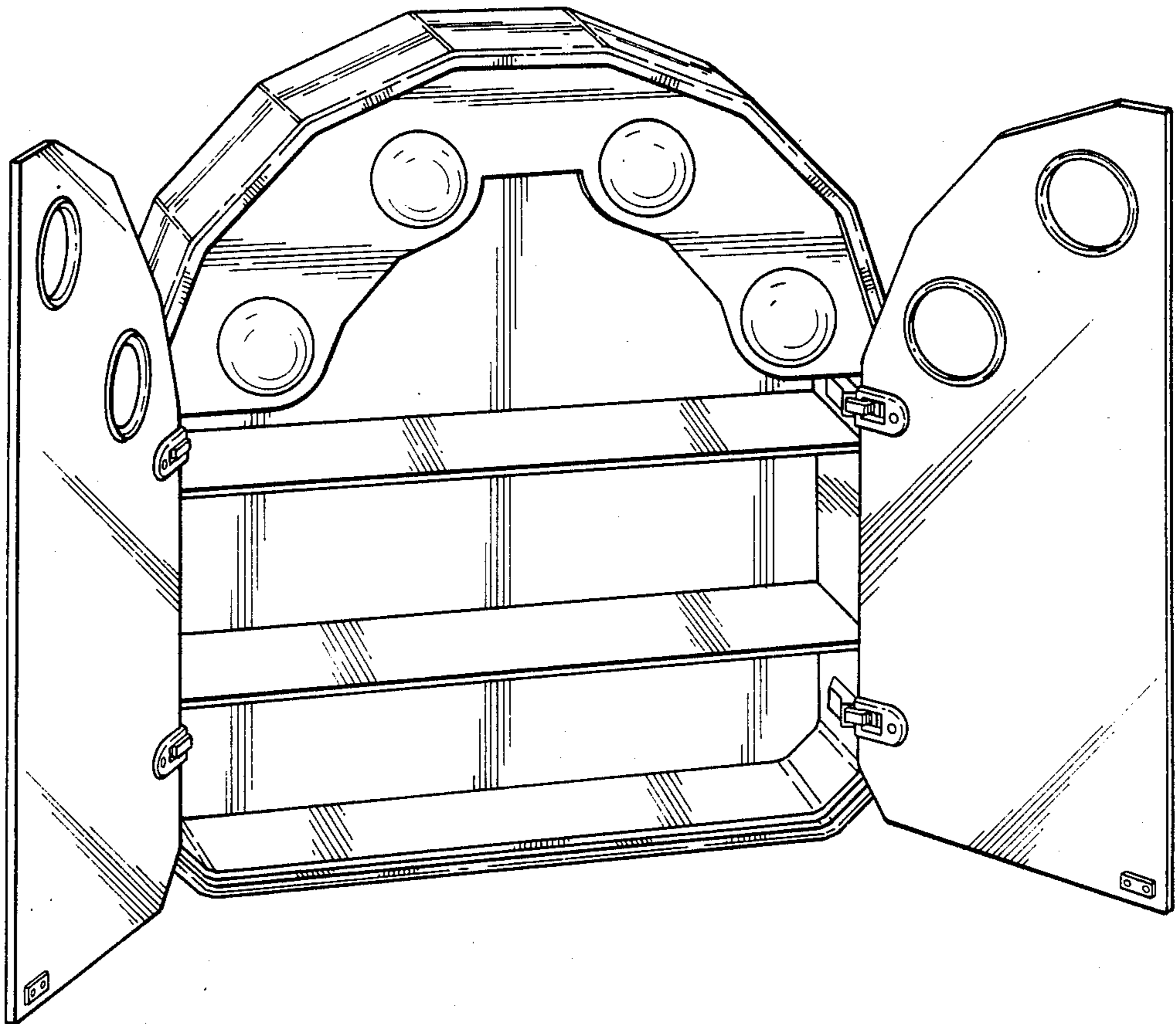


FIG. 4

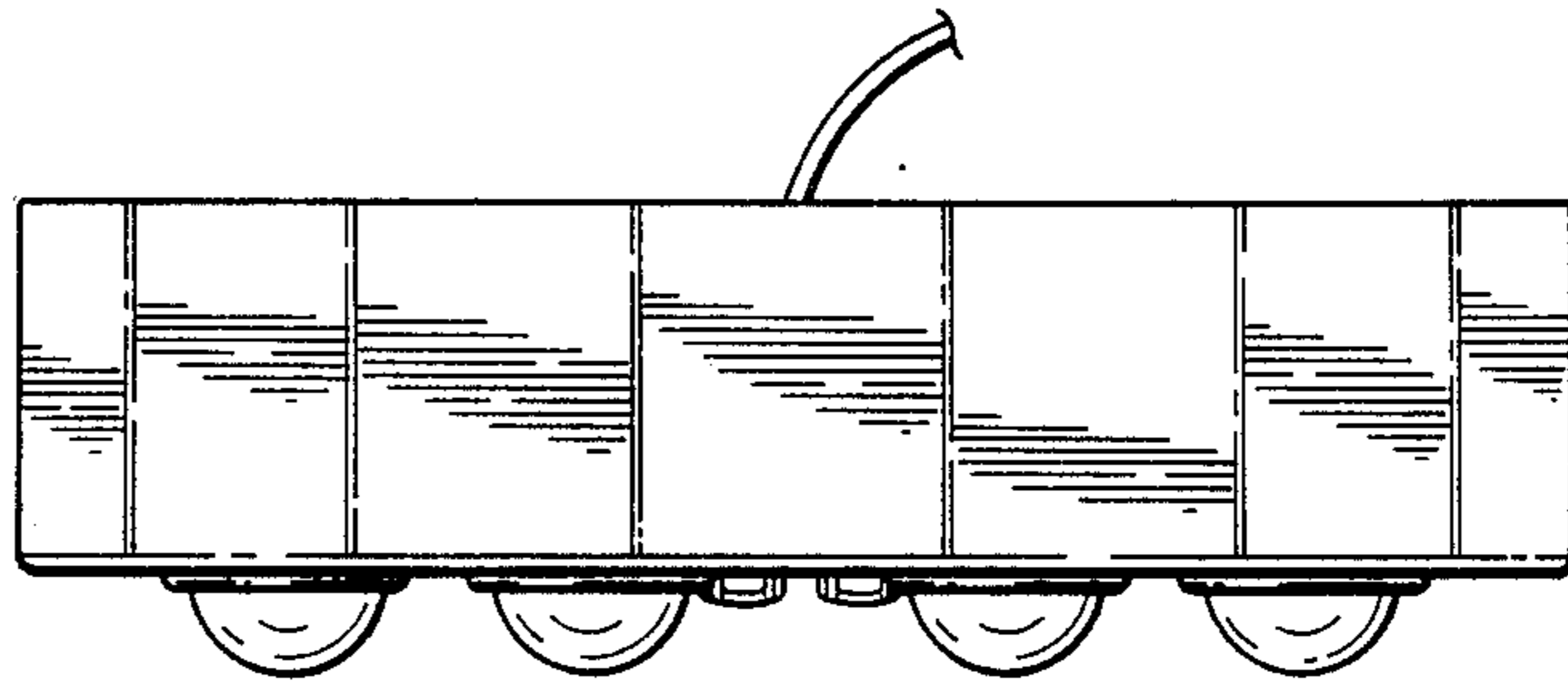


FIG. 3

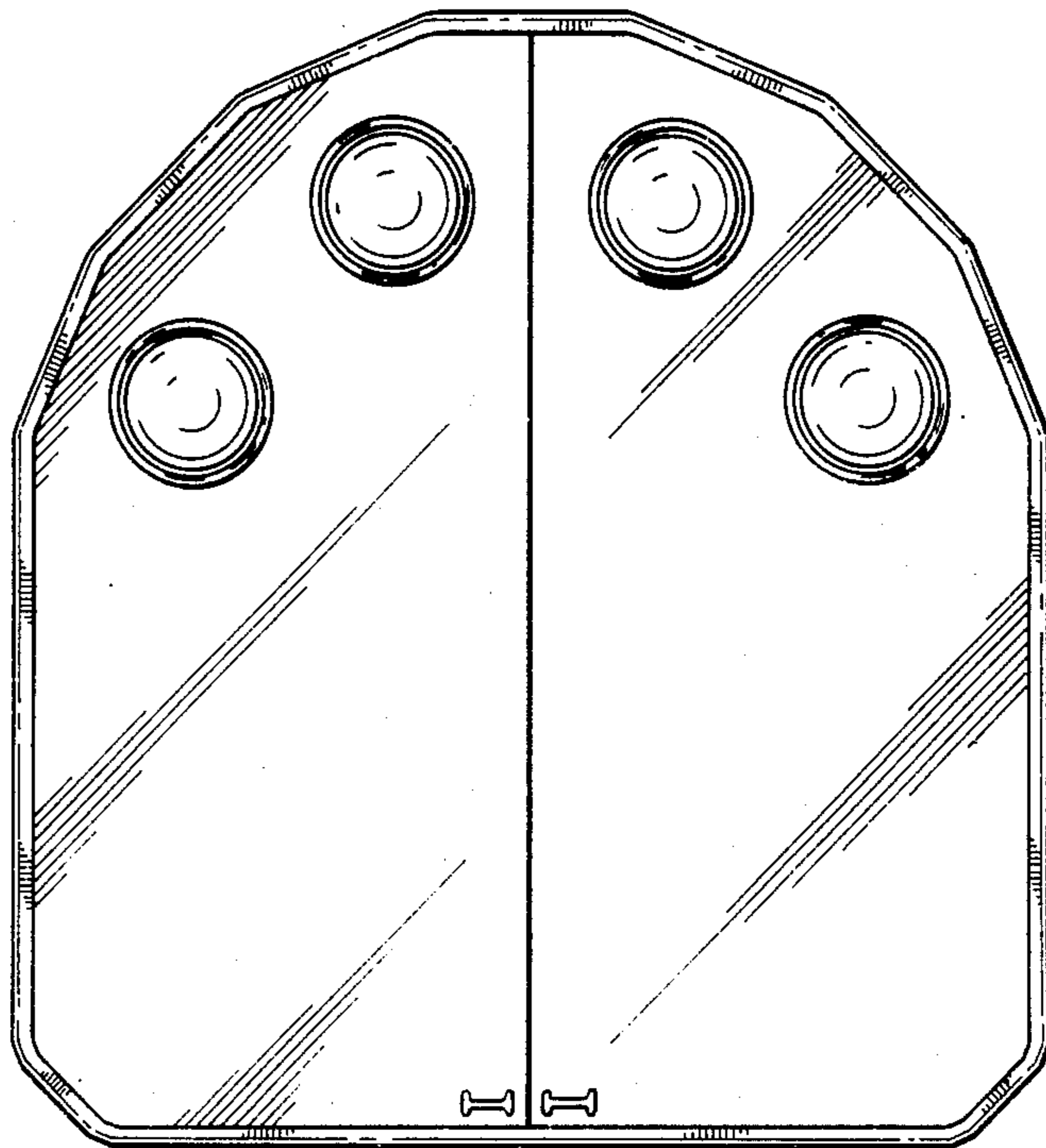


FIG. 5

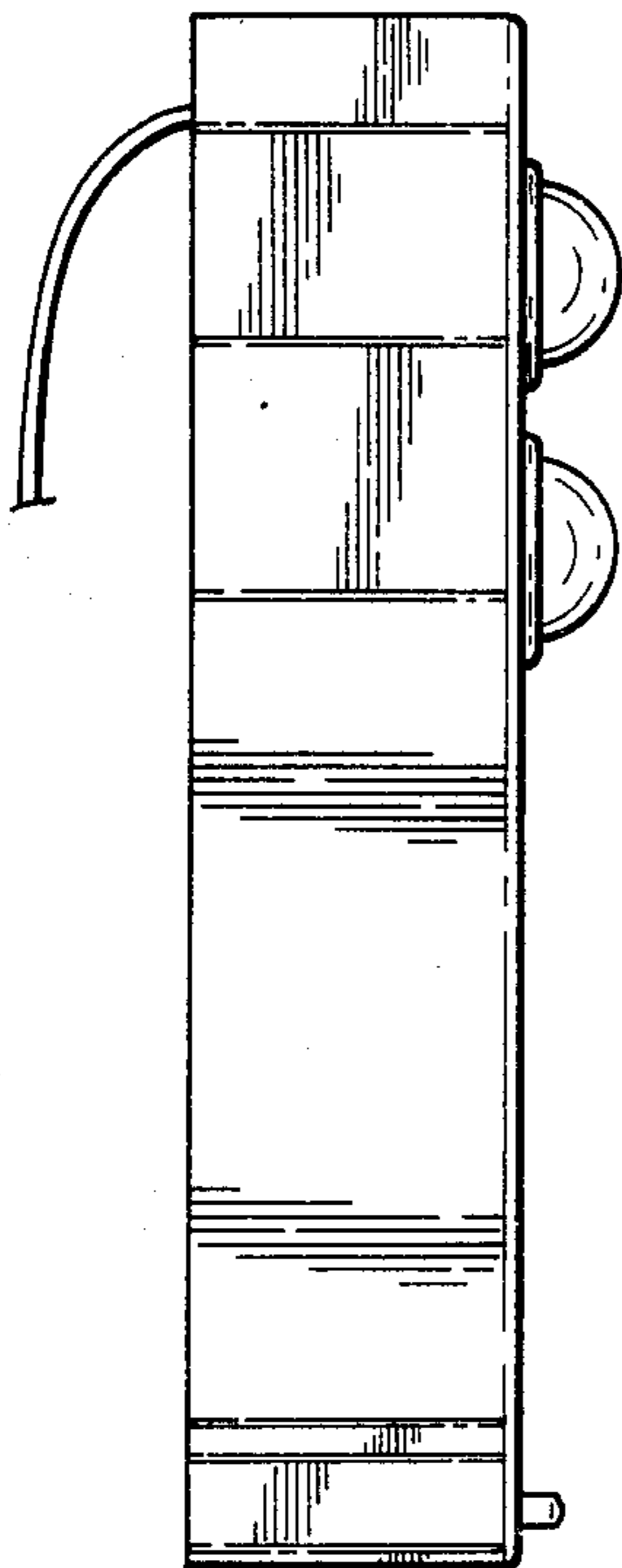


FIG. 7

