

[54] **MIRRORED CABINET**

[76] **Inventor:** Heinz G. Baus, 35 Wartbodenstrasse, CH-3626 Hünibach-Thun, Switzerland

[**] **Term:** 14 Years

[21] **Appl. No.:** 85,657

[22] **Filed:** Aug. 17, 1987

[52] **U.S. Cl.** D6/559

[58] **Field of Search** D6/553, 559-561, D6/567-568, 569-570, 574, 399, 432, 444-448; D26/51, 56, 58; 312/209, 224, 227, 242, 245, 294, 295

[56] **References Cited**

U.S. PATENT DOCUMENTS

D. 271,353	11/1983	Raz	D6/561
D. 280,876	10/1985	Chabanet	D6/444 X
D. 280,877	10/1985	Chabanet	D6/561
3,737,646	6/1973	Burrows	312/224 X
4,066,306	1/1978	Klinder	312/224
4,267,430	5/1981	Downey	312/224 X
4,610,489	9/1986	Dibert, Jr. et al.	312/227
4,695,929	9/1987	Smith	312/227
4,752,863	6/1988	Parrott	312/224 X

OTHER PUBLICATIONS

NuTone Bath Cabinets Catalogue (1979), p. L15, "Side-lighted Sovereign" Cabinet.
 NuTone Bath Cabinets Catalogue (1979), p. L33, "Economy Toplighted" Cabinet.

Standard Steel Cabinet Co. Cat. (1959), p. 4, Model 6301TL.

Standard Steel Cabinet Co. Cat. (1959), p. 7, Model 500 (top left).

Primary Examiner—Wallace R. Burke
Assistant Examiner—Brian N. Vinson
Attorney, Agent, or Firm—Foley & Lardner, Schwartz, Jeffery, Schwaab, Mack, Blumenthal & Evans

[57] **CLAIM**

The ornamental design for a mirrored cabinet, as shown and described.

DESCRIPTION

FIG. 1 is a top, front and left side perspective view of a mirrored cabinet showing my new design; FIG. 2 is a front elevational view thereof; FIG. 3 is a top plan view thereof, the bottom being a mirror image of that shown; FIG. 4 is a left side elevational view thereof, the right side being a mirror image of that shown; FIG. 5 is a rear elevational view thereof; FIG. 6 is a top, front and right side perspective view of an alternate embodiment thereof; FIG. 7 is a front elevational view of the embodiment of FIG. 6; FIG. 8 is a top plan view of the embodiment of FIG. 6, the bottom being a mirror image of that shown; FIG. 9 is a left side elevational view of the embodiment of FIG. 6, the right side being a mirror image of that shown; and FIG. 10 is a rear elevational view of the embodiment of FIG. 6. The electrical power cord in the views is shown broken-away to indicate indeterminate length.

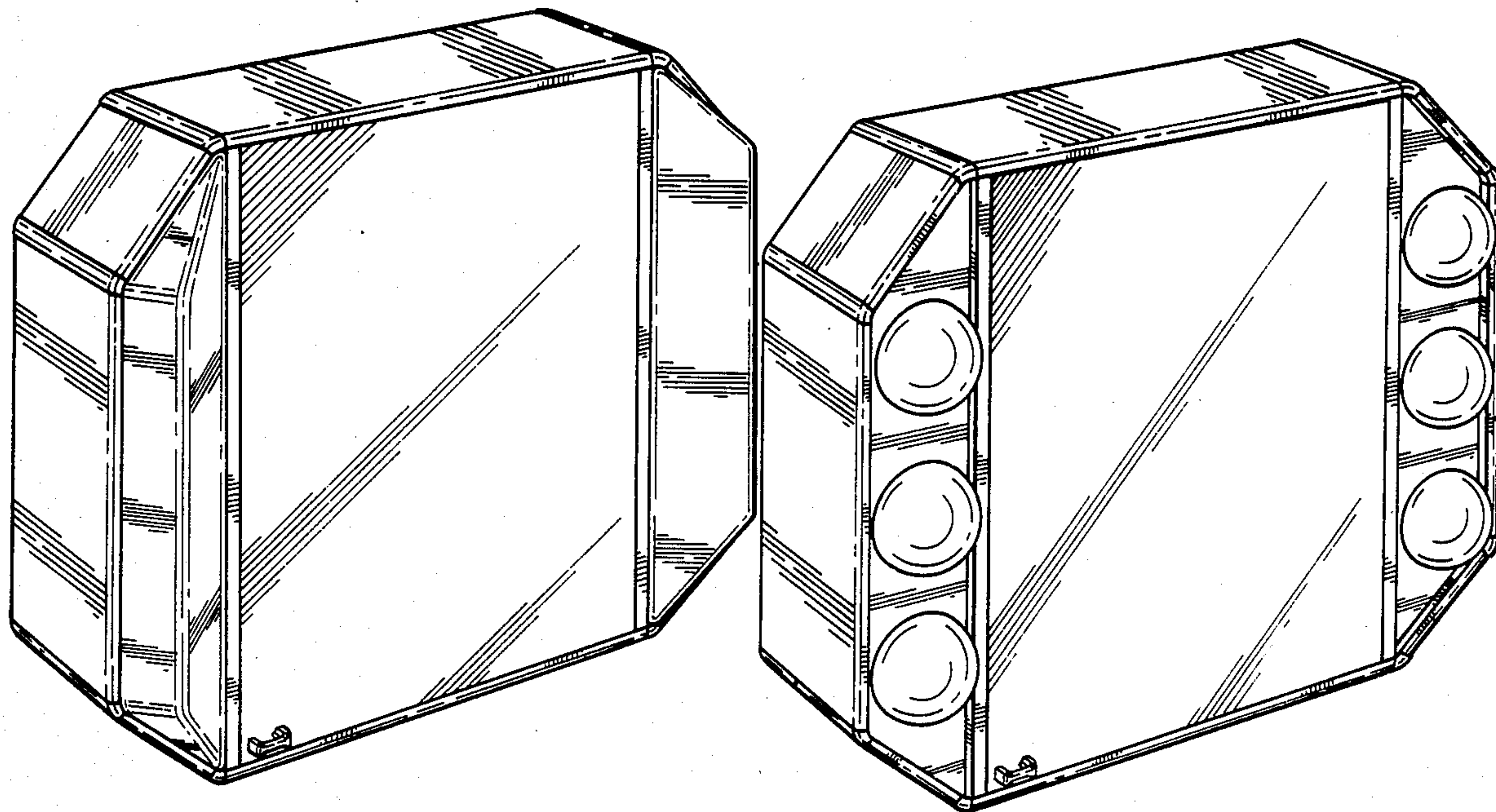


FIG. 1

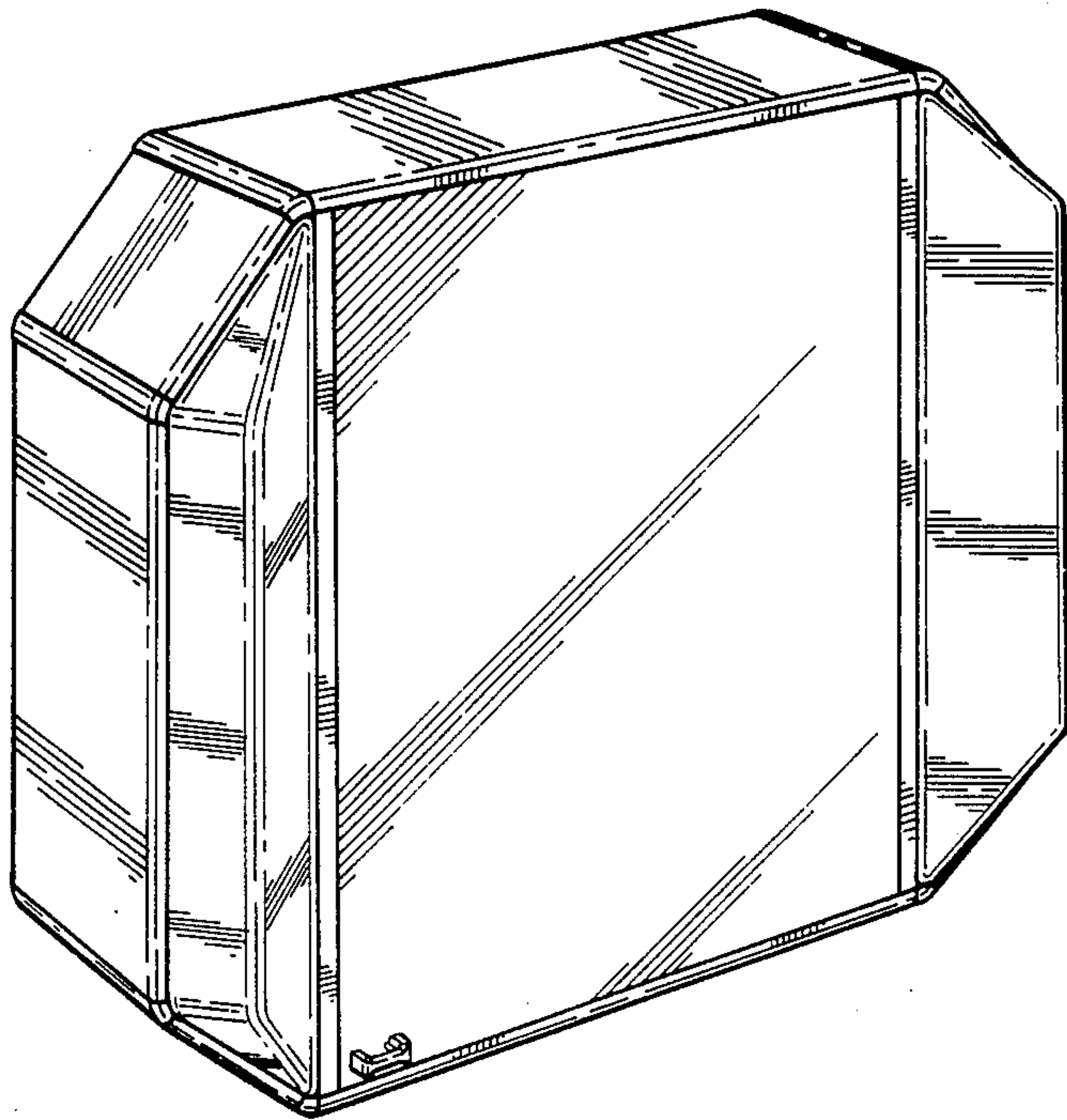


FIG. 3

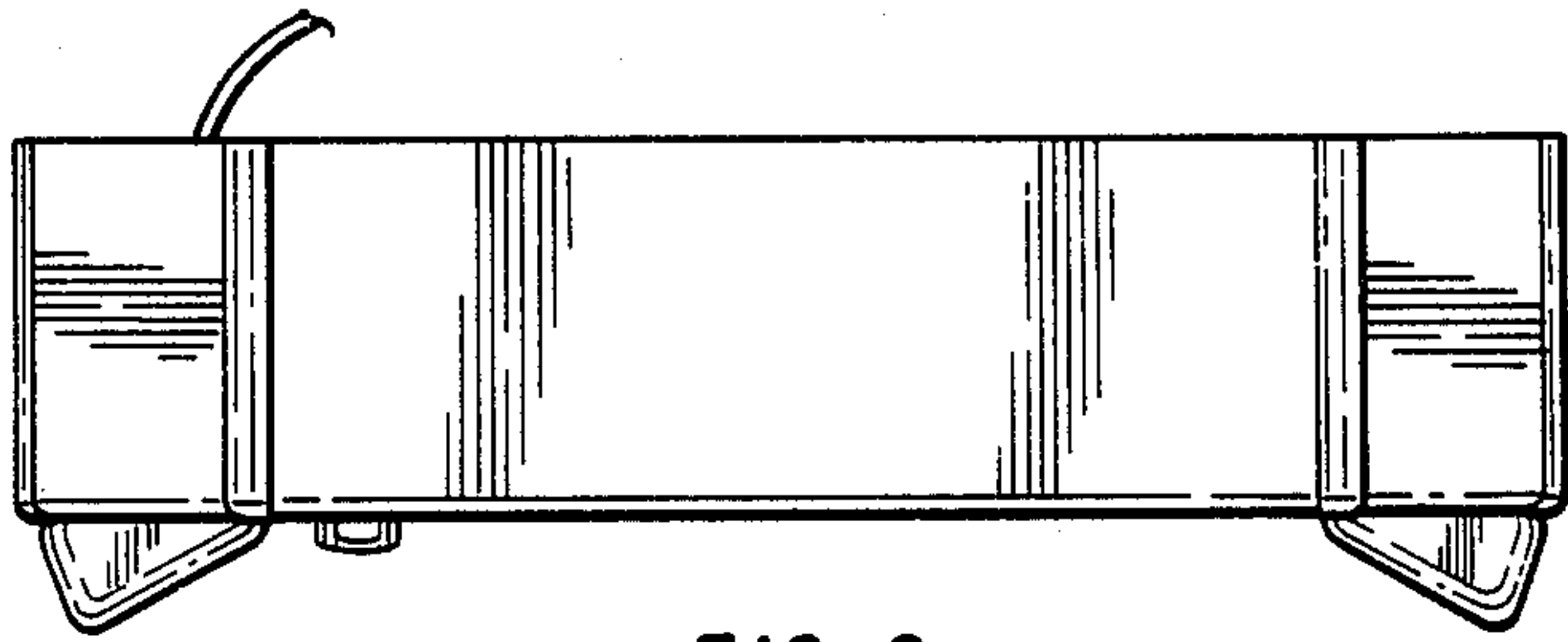


FIG. 2

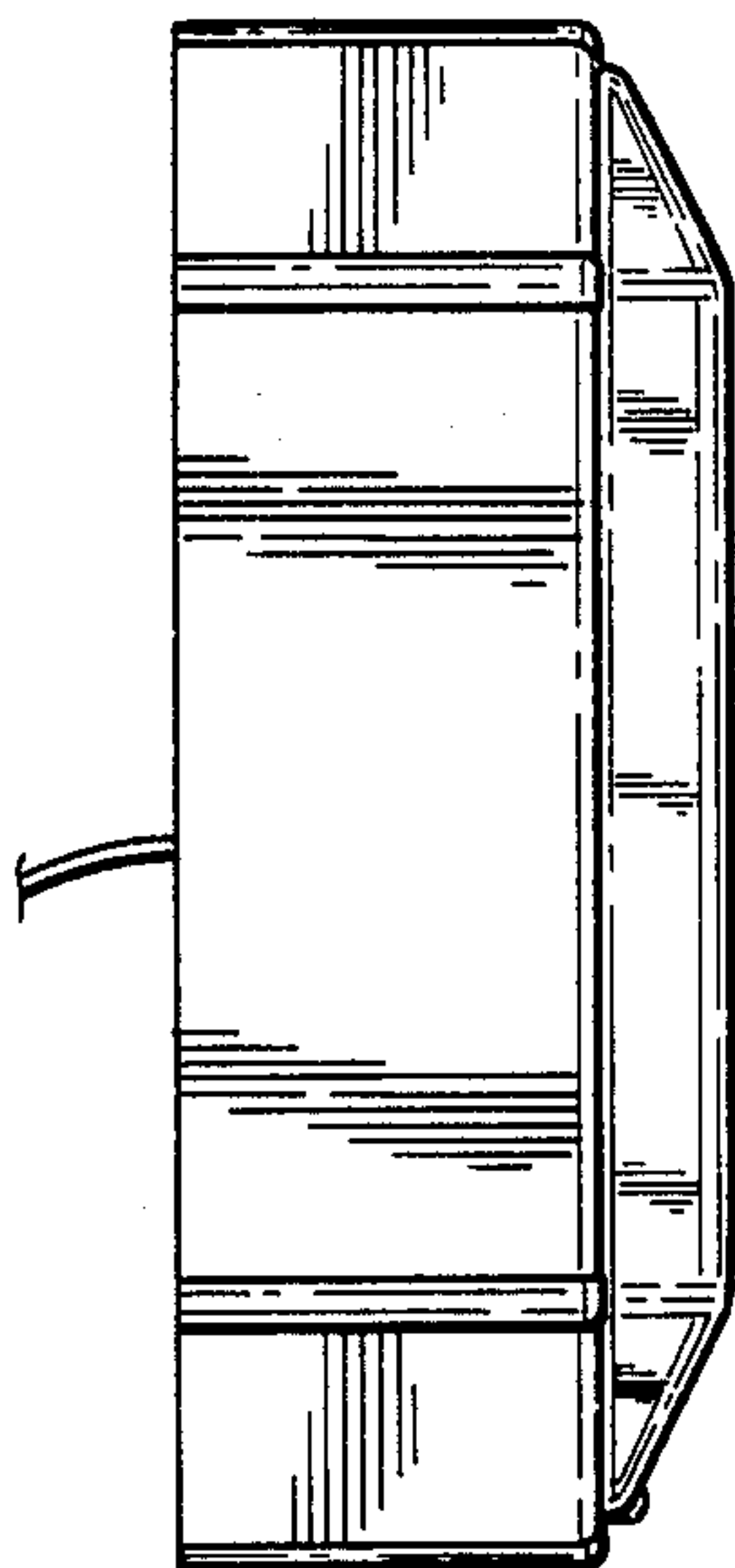
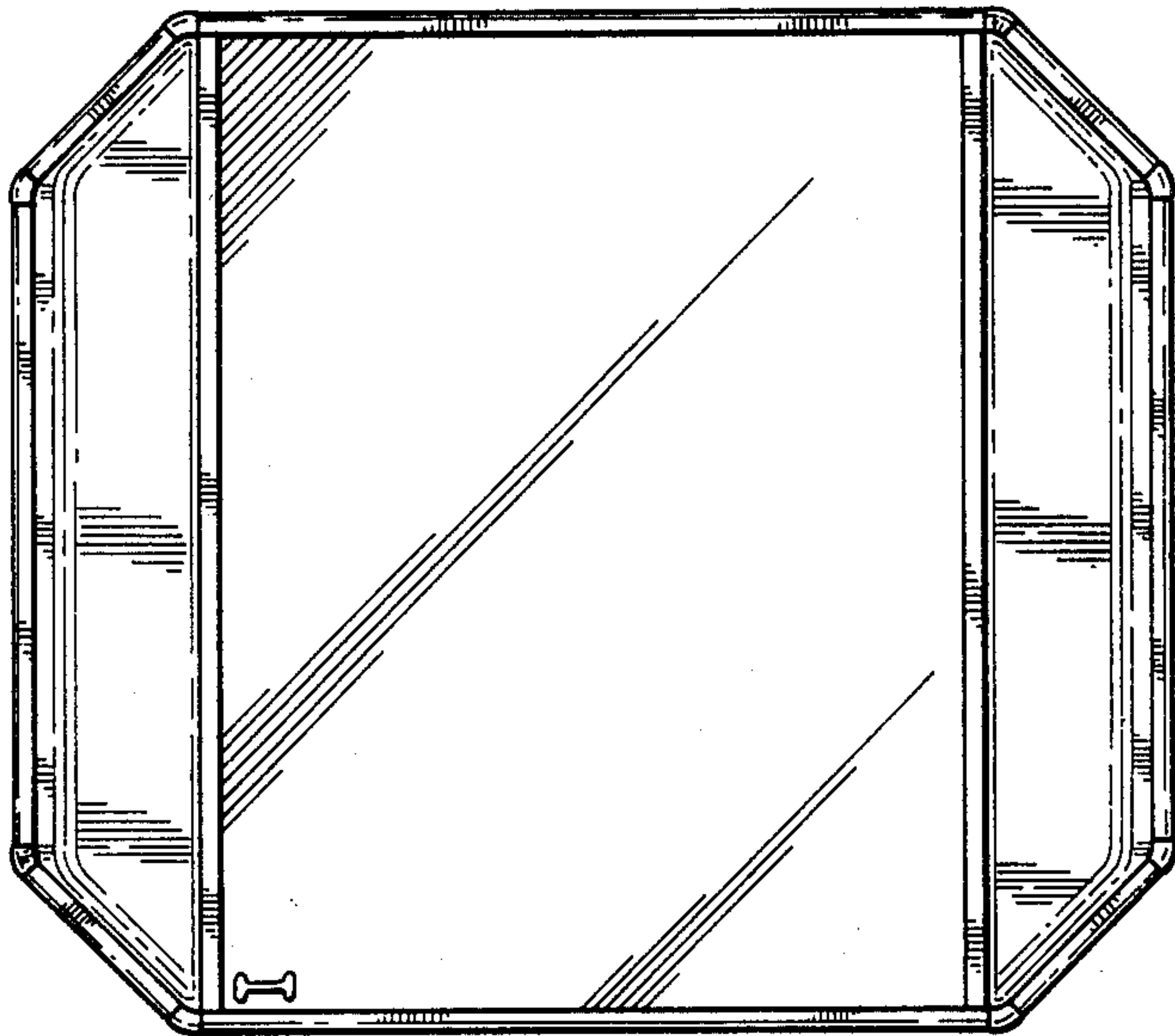


FIG. 4

FIG. 5

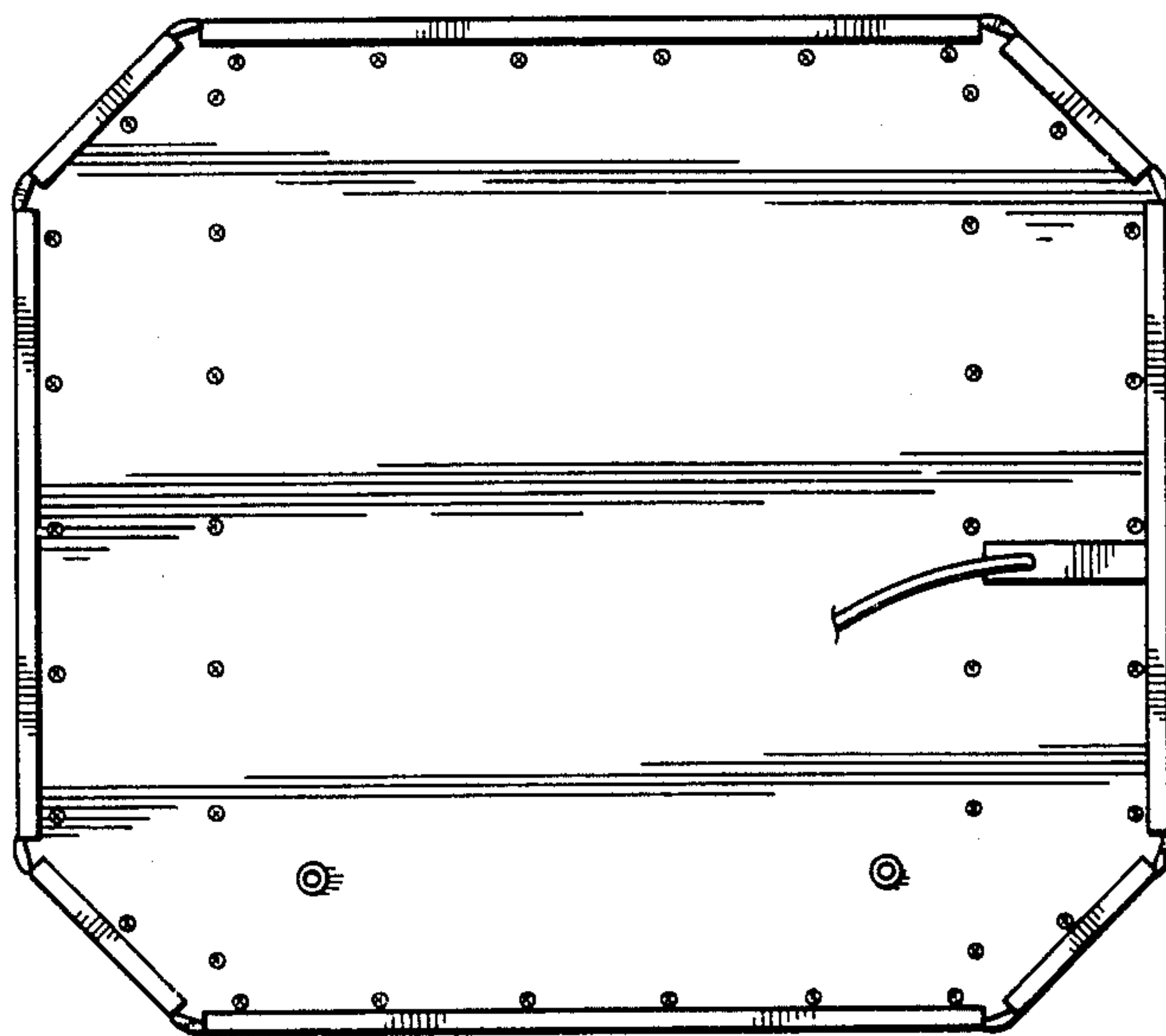


FIG. 6

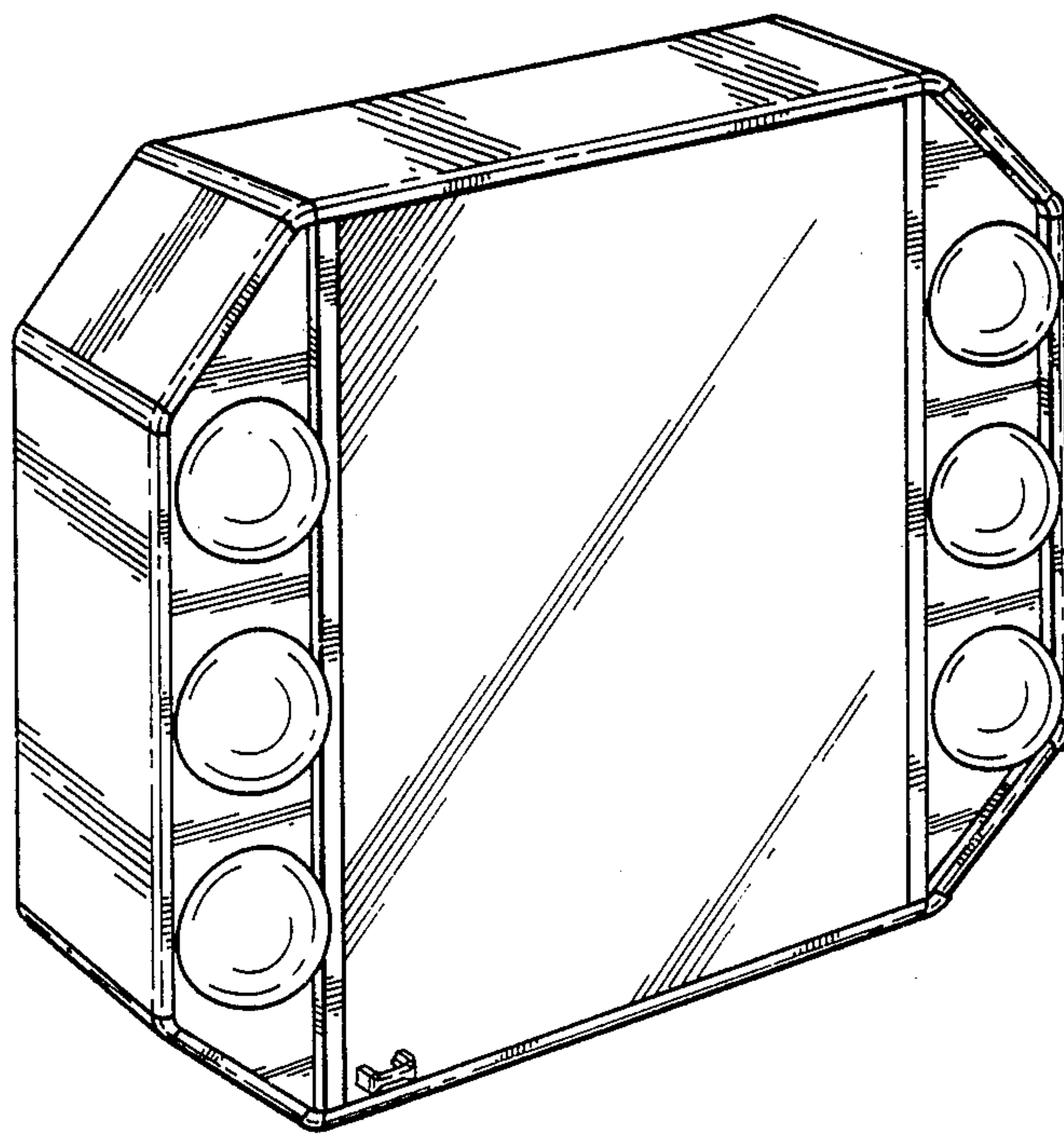


FIG. 8

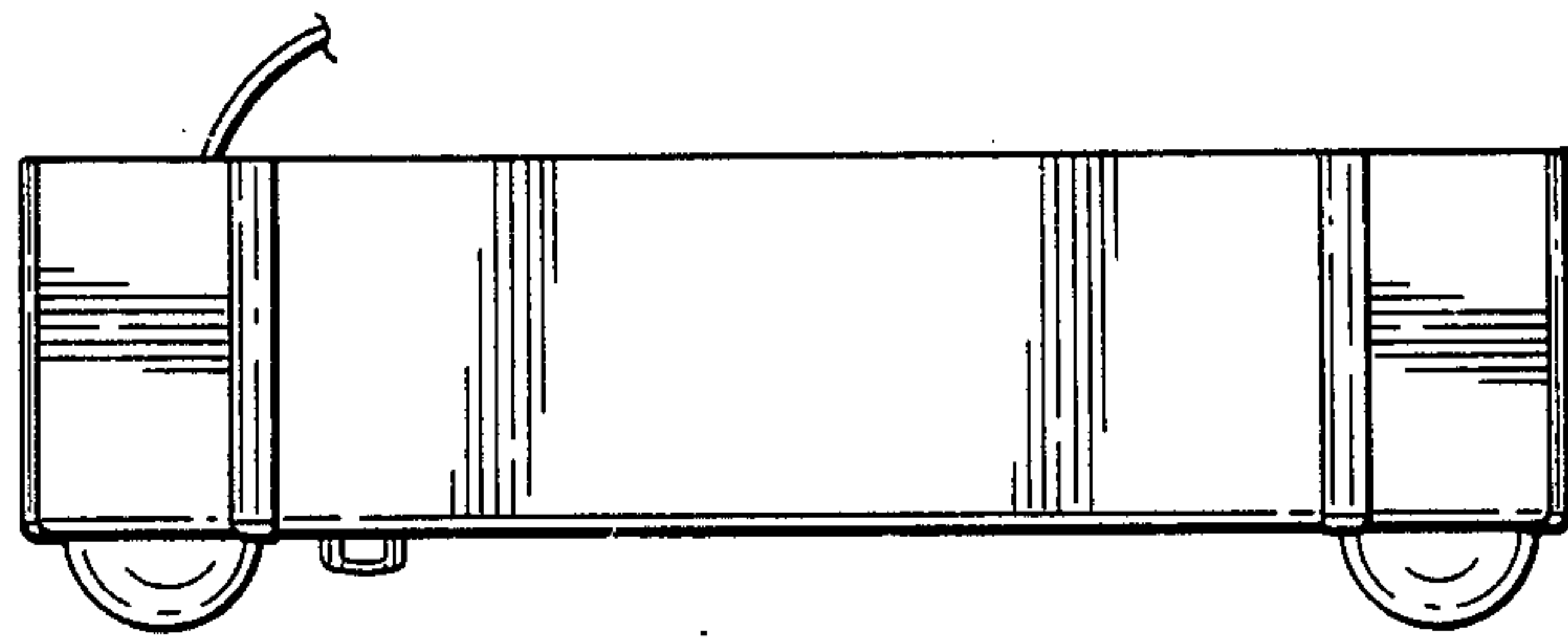


FIG. 7

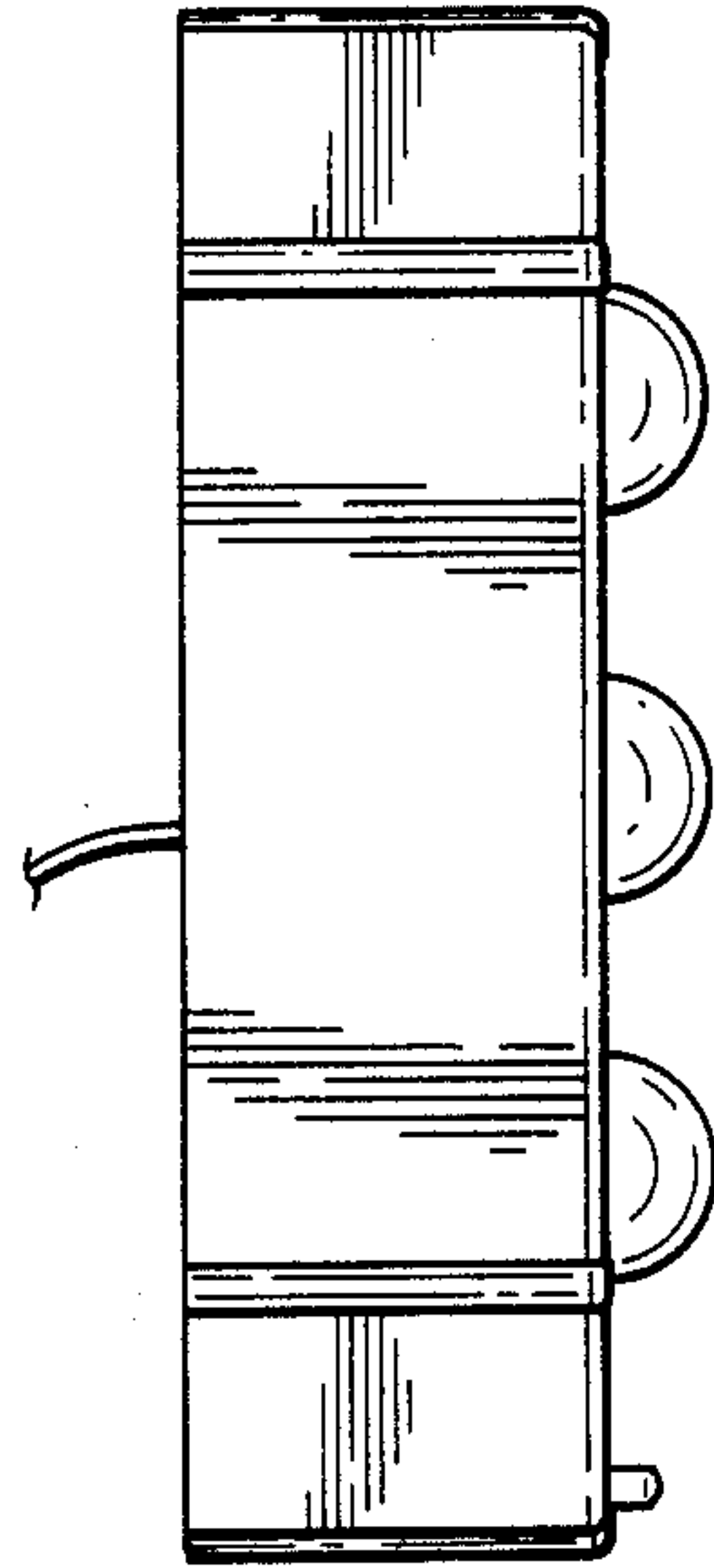
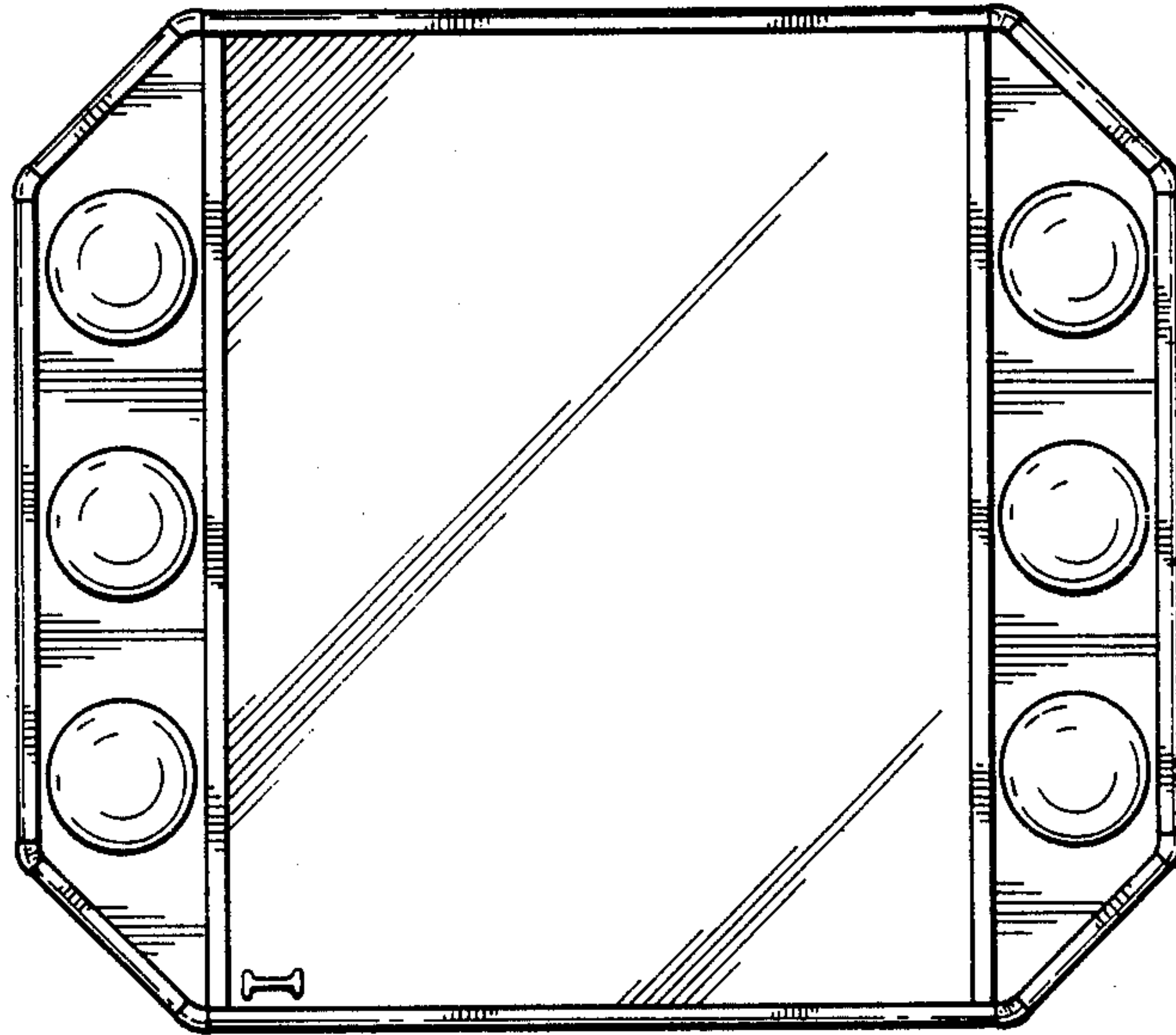


FIG. 9

FIG. 10

