

United States Patent [19]

Warren

[11] Patent Number: Des. 304,267

[45] Date of Patent: ** Oct. 31, 1989

[54] SOFA

[75] Inventor: Frank A. Warren, Denville, N.J.

[73] Assignee: Universal Furniture Industries, Inc.,
High Point, N.C.

[**] Term: 14 Years

[21] Appl. No.: 929,659

[22] Filed: Nov. 12, 1986

[52] U.S. Cl. D6/381

[58] Field of Search D6/363, 371, 335

[56] References Cited

U.S. PATENT DOCUMENTS

D. 284,046 6/1986 Staats et al. D6/371
D. 284,625 7/1986 Culler D6/381
D. 298,389 11/1988 Culler D6/381

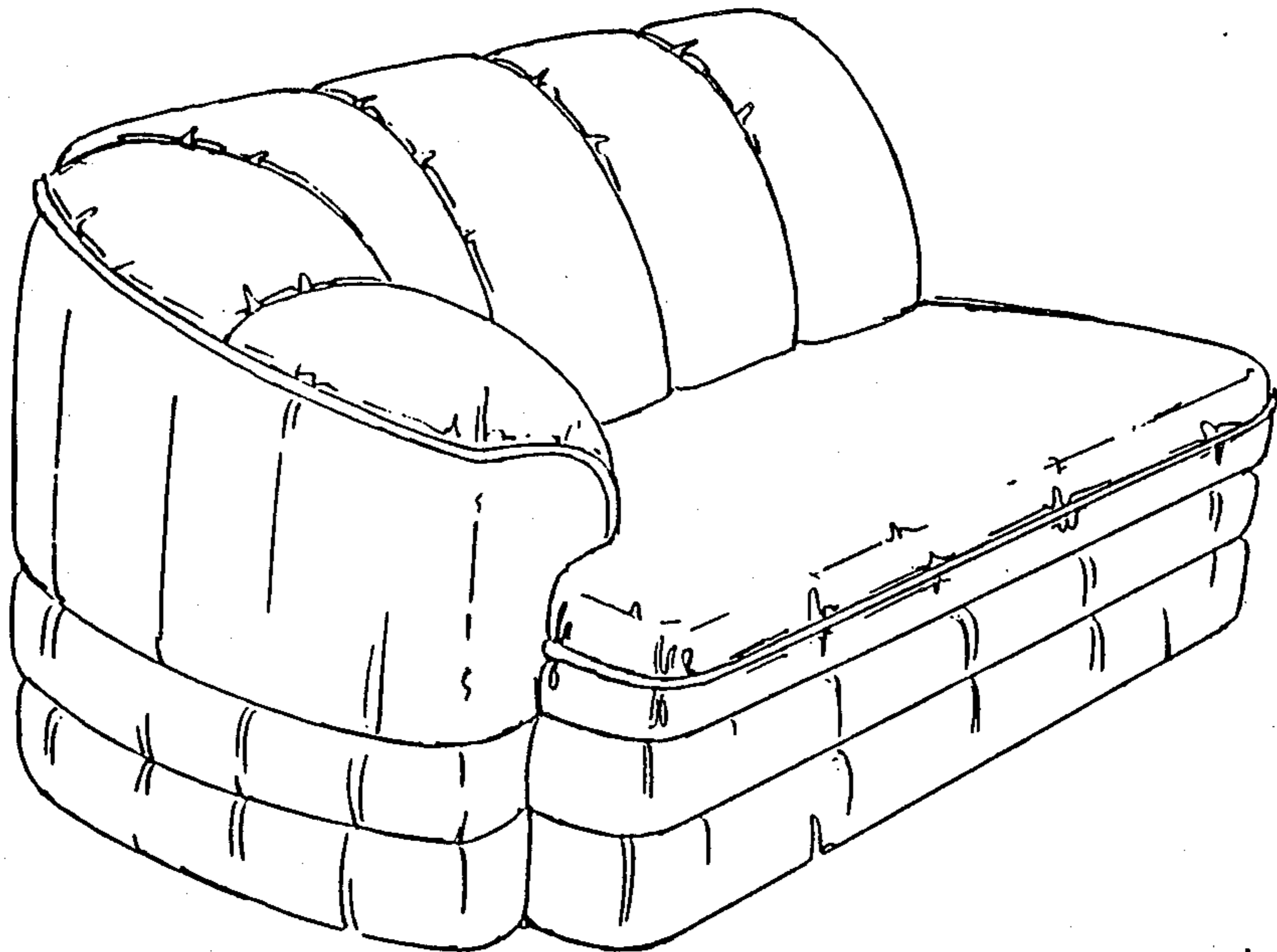
Primary Examiner—Bruce W. Dunkins
Assistant Examiner—Ann S. Hunt
Attorney, Agent, or Firm—Pravel, Gambrell, Hewitt,
Kimball & Krieger

[57] CLAIM

The ornamental design for a sofa, as shown and described.

DESCRIPTION

FIG. 1 is a front elevational view of a sofa showing my design;
FIG. 2 is a front perspective view;
FIG. 3 is a side elevational view taken from the right in FIG. 1;
FIG. 4 is a front elevational view of a sofa showing a second embodiment of my design;
FIG. 5 is a front perspective view; and
FIG. 6 is an end elevational view taken from the right in FIG. 4.



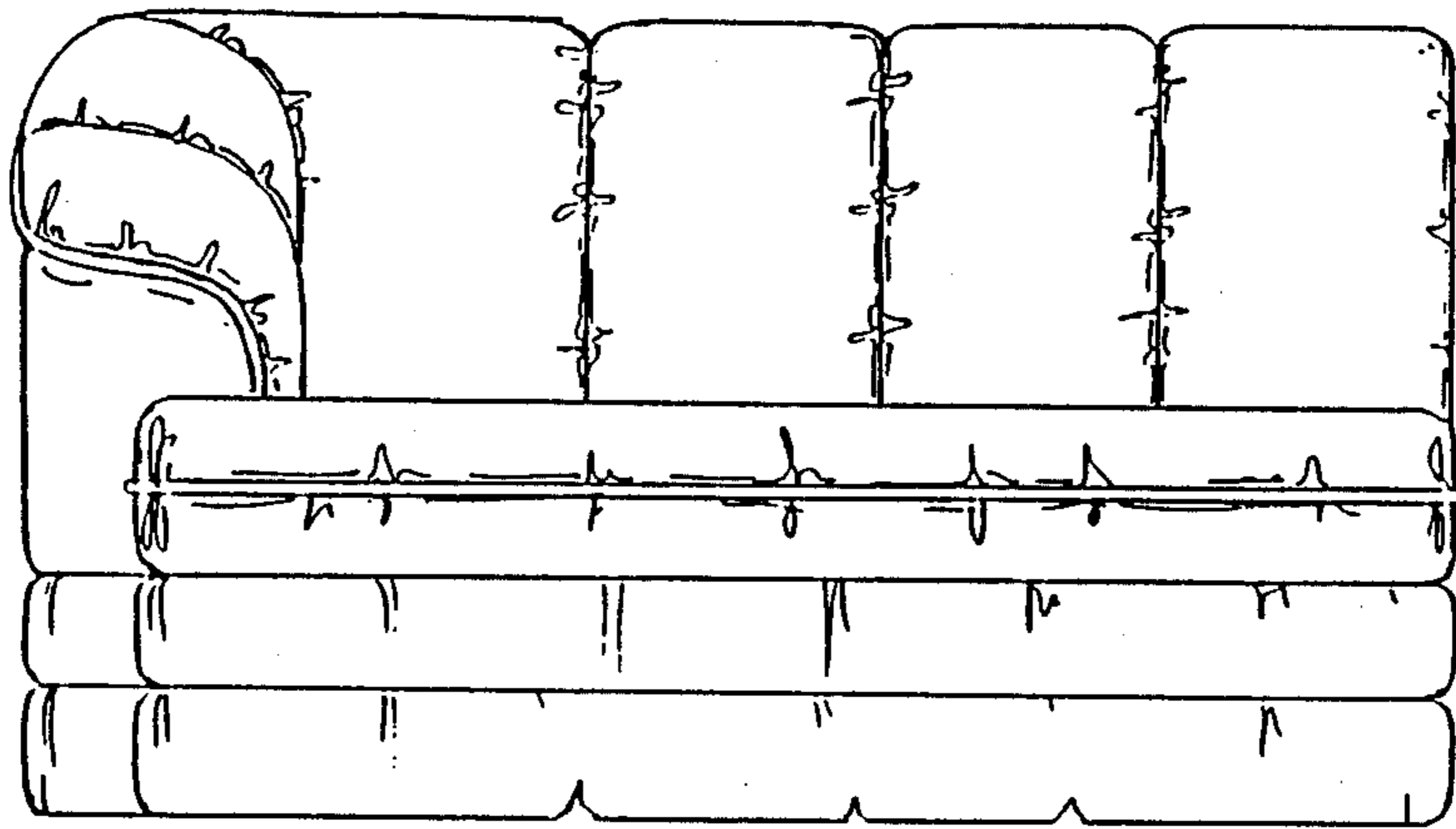


FIG. 1

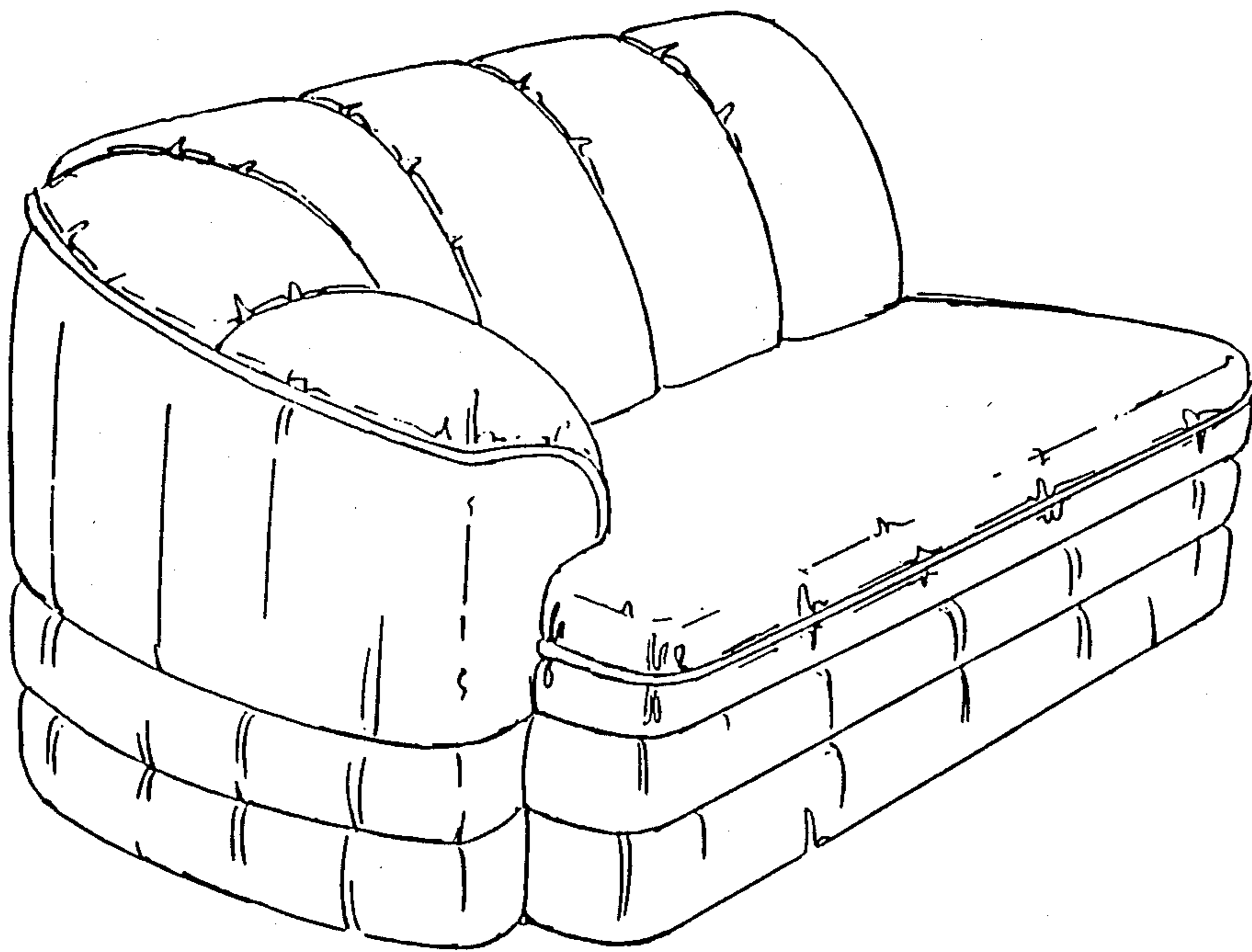


FIG. 2

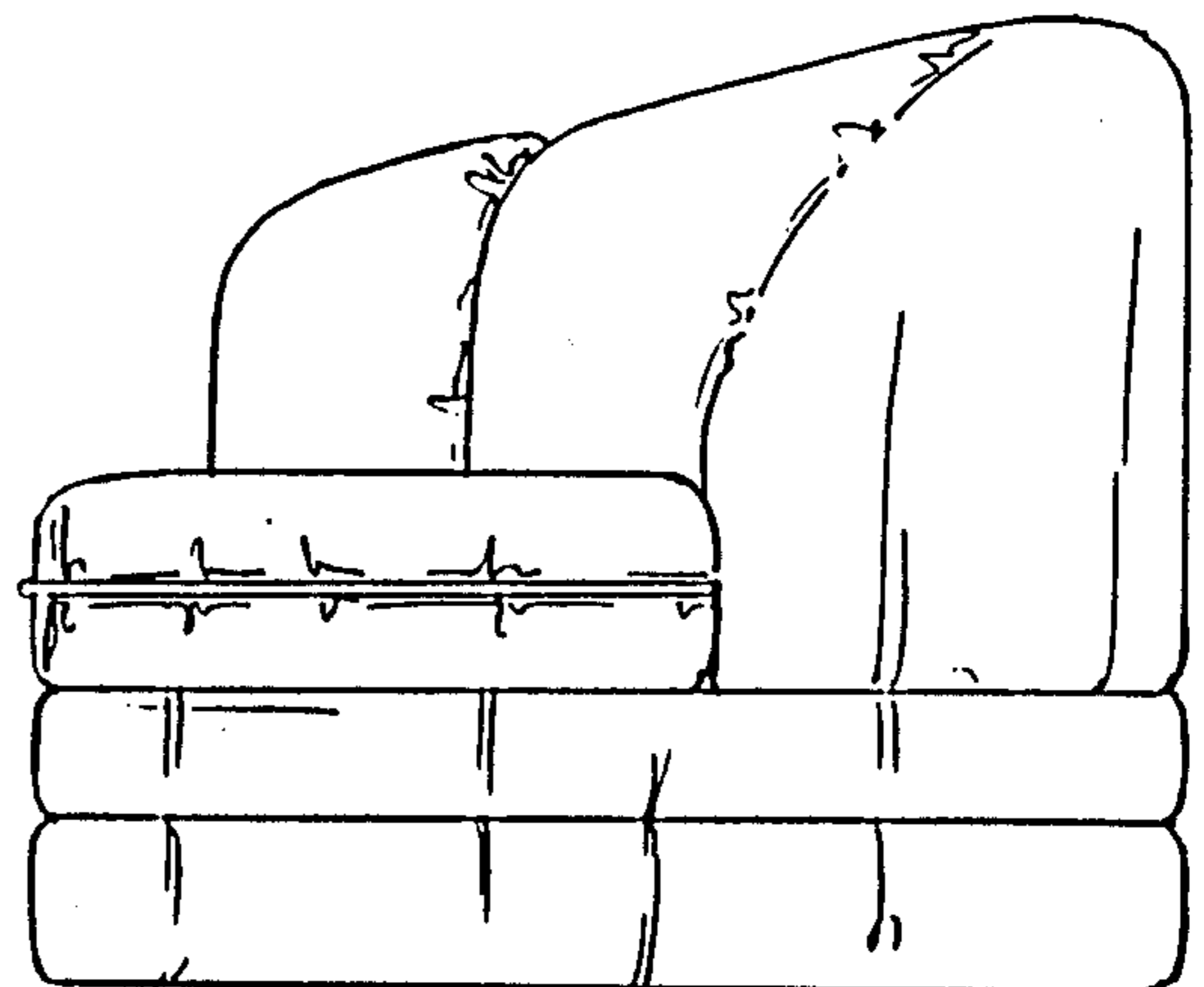


FIG. 3

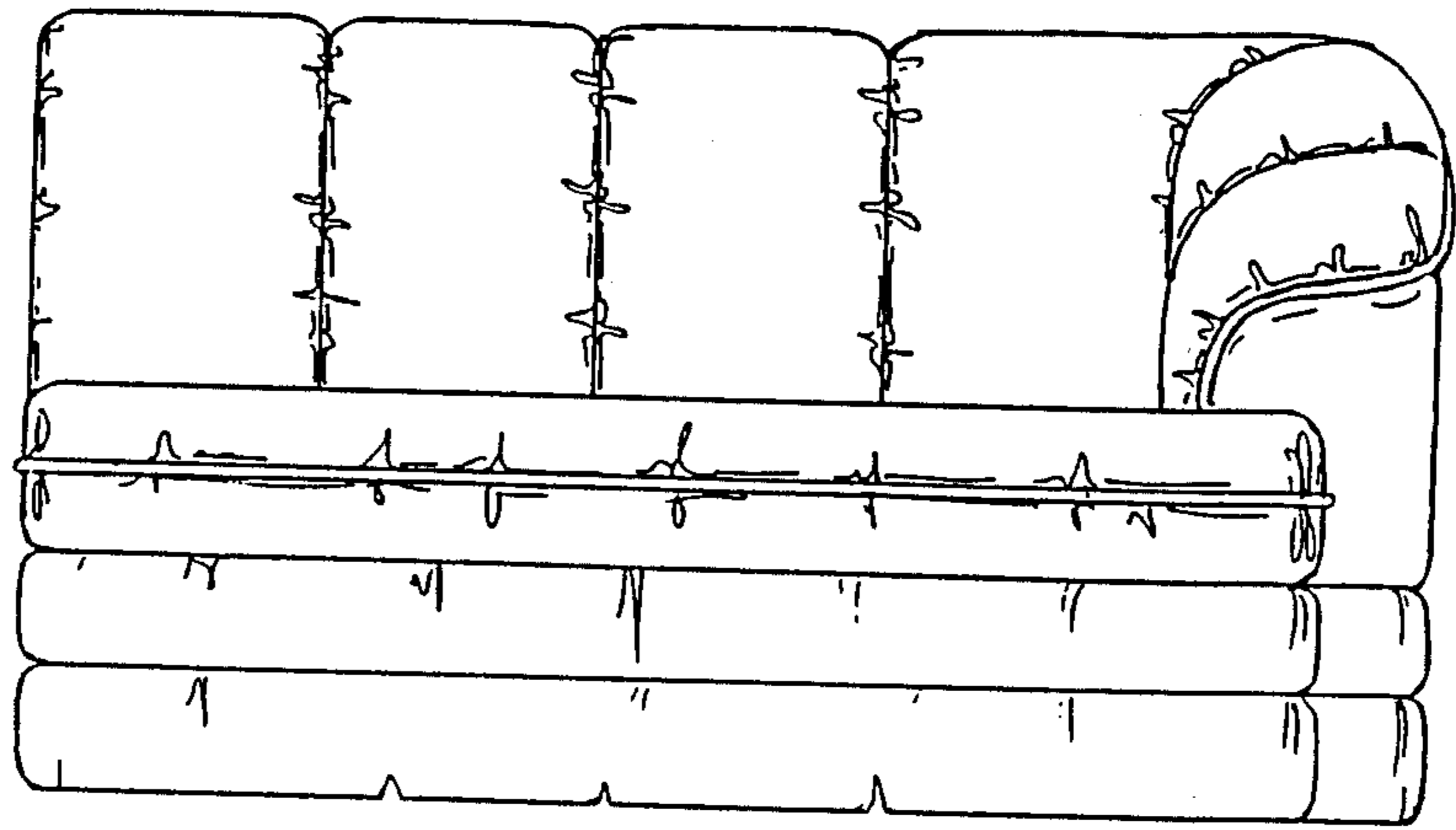


FIG. 4

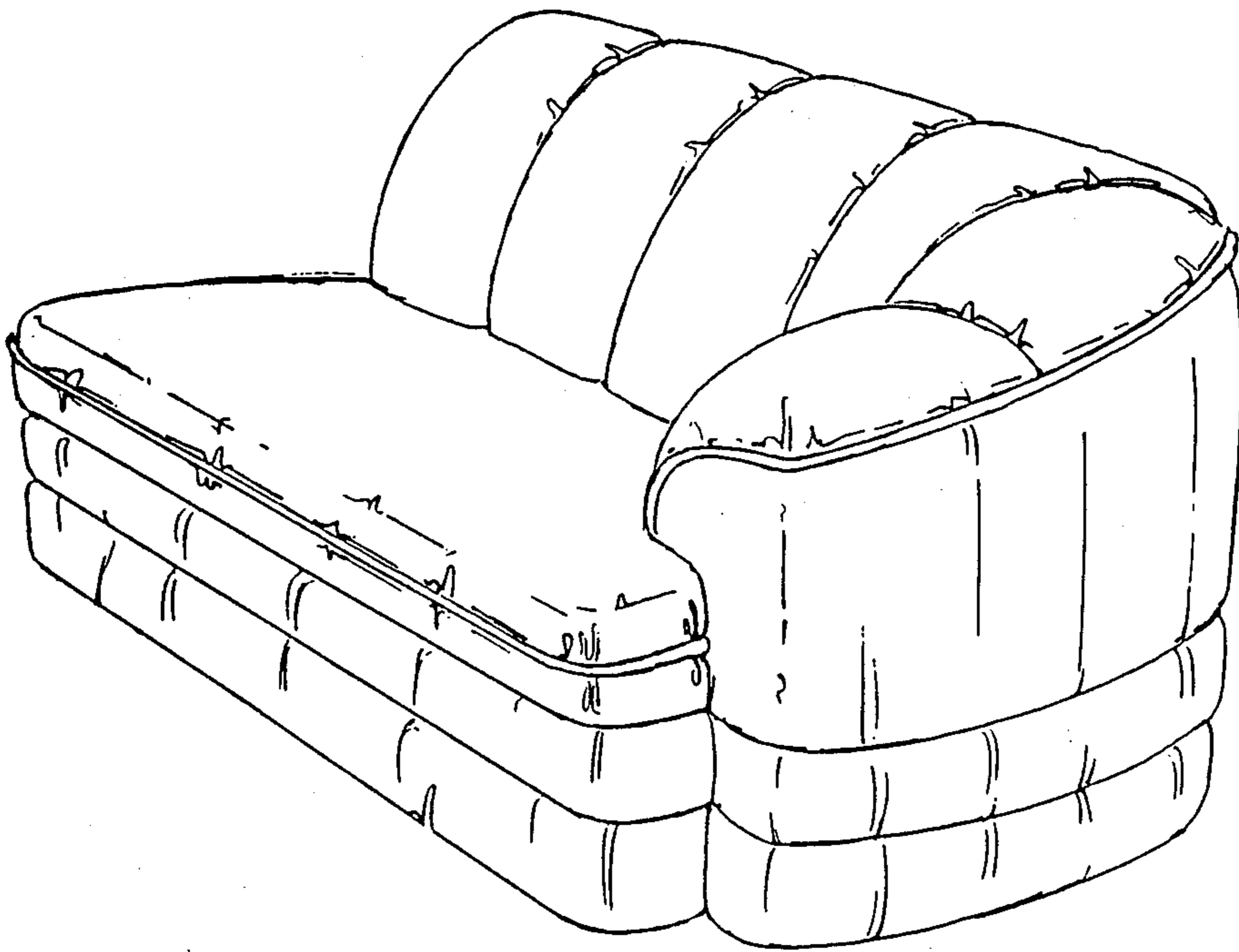


FIG. 5

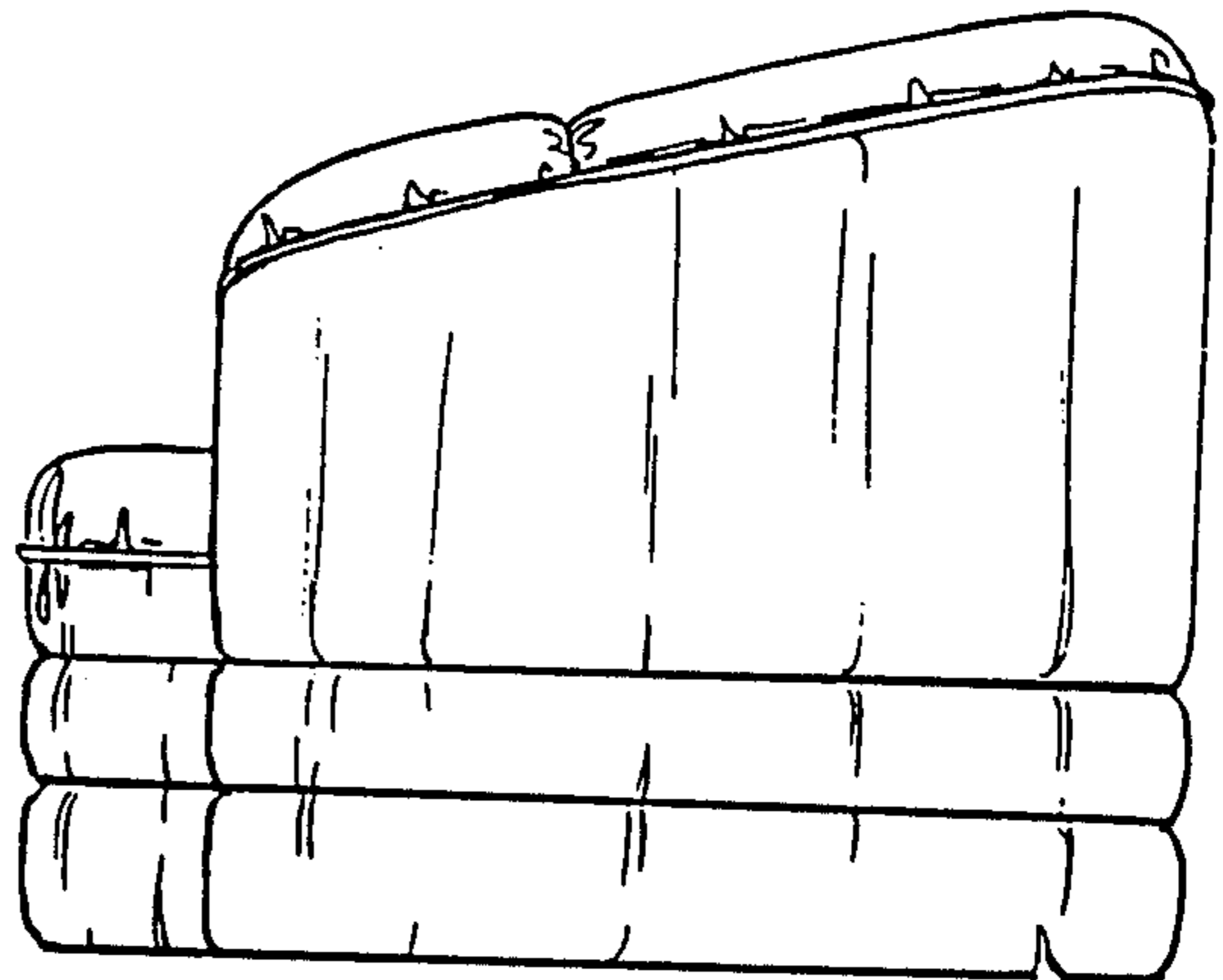


FIG. 6