

[54] **COMBINED AUTOMOTIVE CONSOLE AND LITTER CONTAINER**

[76] **Inventor: Donald R. Mull, 823 Holloway St., Alcoa, Tenn. 37701**

[\*\*] **Term: 14 Years**

[21] **Appl. No.: 862,575**

[22] **Filed: May 12, 1986**

**Related U.S. Application Data**

[63] **Continuation-in-part of Ser. No. 659,082, Dec. 14, 1984.**

[52] **U.S. Cl. .... D3/40**

[58] **Field of Search ..... 220/427, DIG. 13, DIG. 14; D3/40, 73, 39; D7/77, 78, 213, 311**

[56] **References Cited**

**U.S. PATENT DOCUMENTS**

- D. 201,224 5/1965 Schroeder ..... D7/77
- D. 212,440 10/1968 Cannon ..... D7/77
- D. 247,152 2/1978 Rayfield ..... D7/77
- D. 252,540 8/1979 Murphy ..... D3/40
- D. 270,804 10/1983 Caves ..... D7/77
- D. 271,634 12/1983 Rockwell ..... D3/40

D. 276,019 10/1984 Koustis ..... D3/73

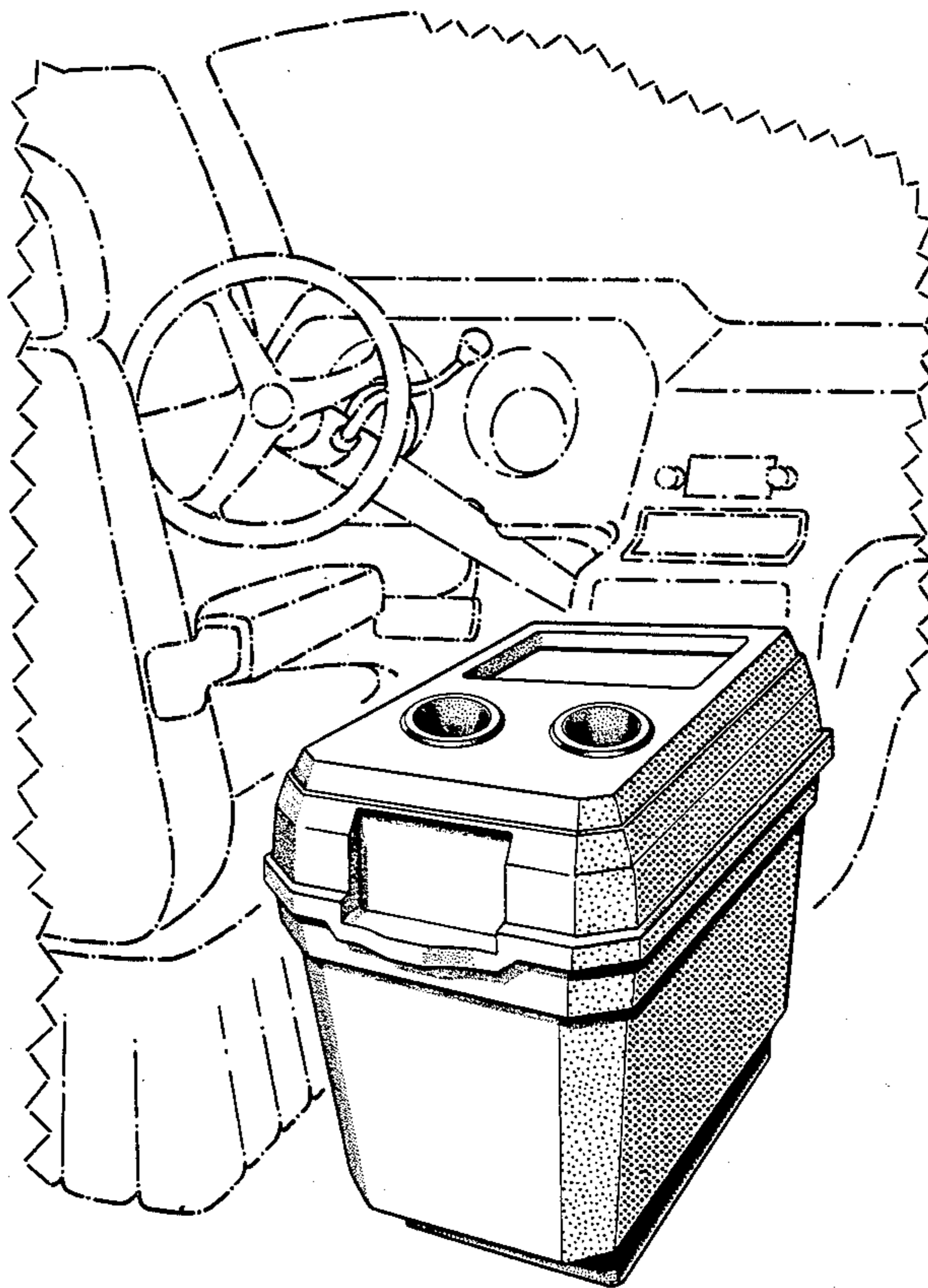
*Primary Examiner*—Bruce W. Dunkins  
*Assistant Examiner*—Y. Brunot  
*Attorney, Agent, or Firm*—Pitts and Brittan

[57] **CLAIM**

The ornamental design for a combined automotive console and litter container, as shown and described.

**DESCRIPTION**

FIG. 1 is a perspective view of the litter disposable console;  
FIG. 2 represents a side elevation view of the console shown in FIG. 1;  
FIG. 3 shows a top plan view of the console shown in FIG. 1;  
FIG. 4 shows a bottom plan view of the console shown in FIG. 1.  
FIG. 5 shows a front view of the console shown in FIG. 1; and  
FIG. 6 shows a rear view of the console shown in FIG. 1.  
The interior of an automotive vehicle depicted in FIG. 1 is shown in broken lines for illustrative purposes only and forms no part of the claimed design.



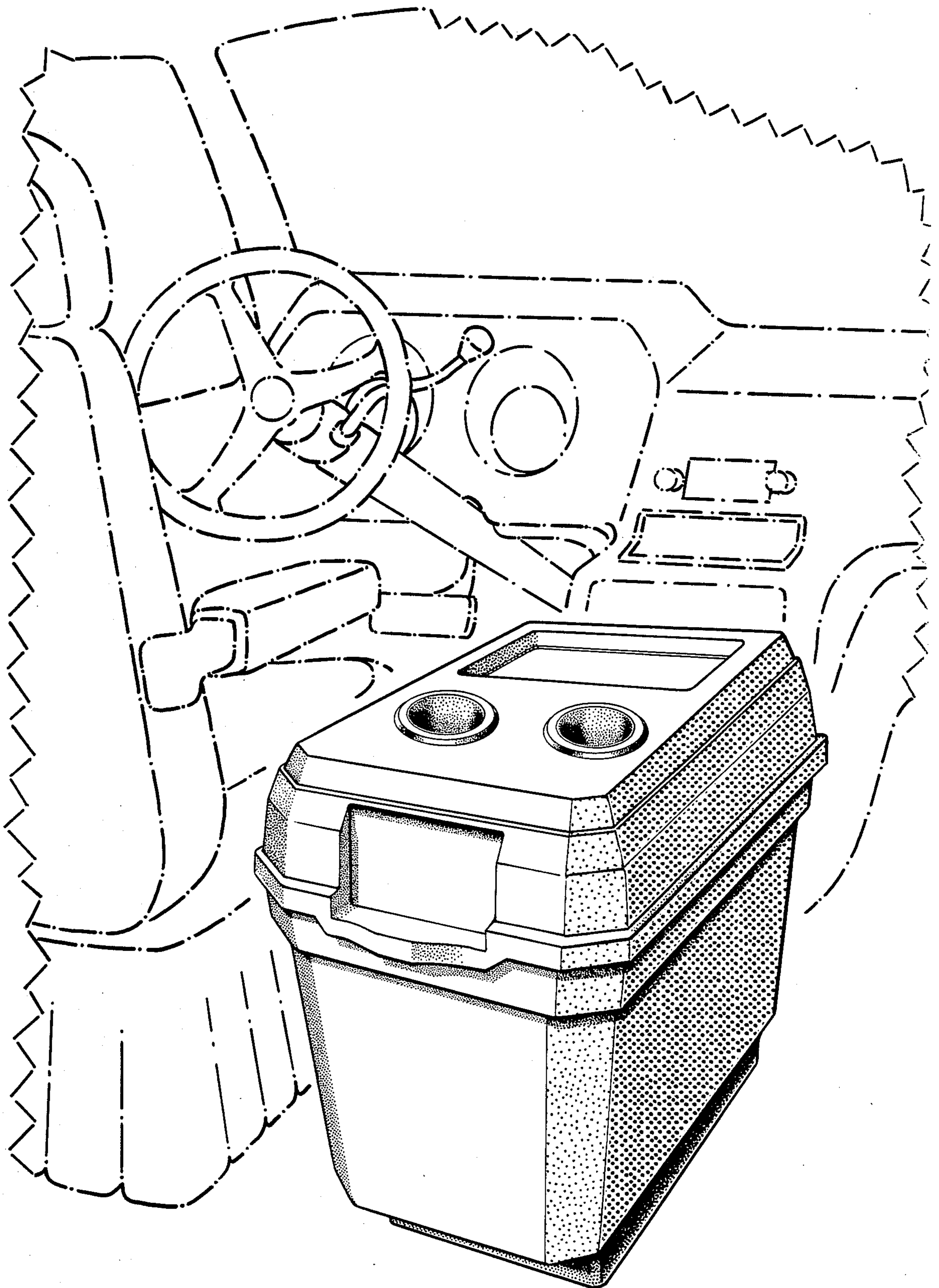


Fig: 1

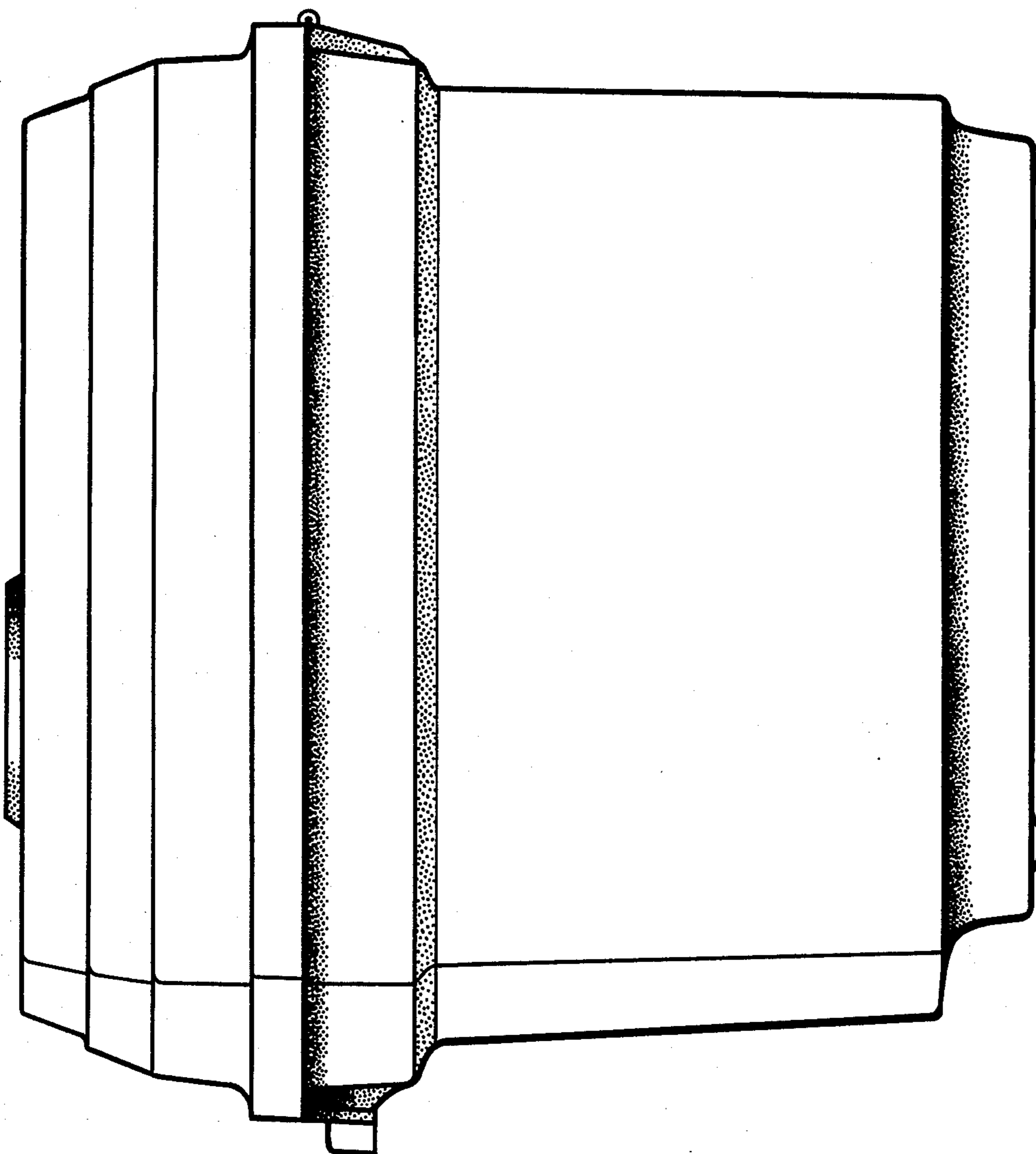


Fig. 2



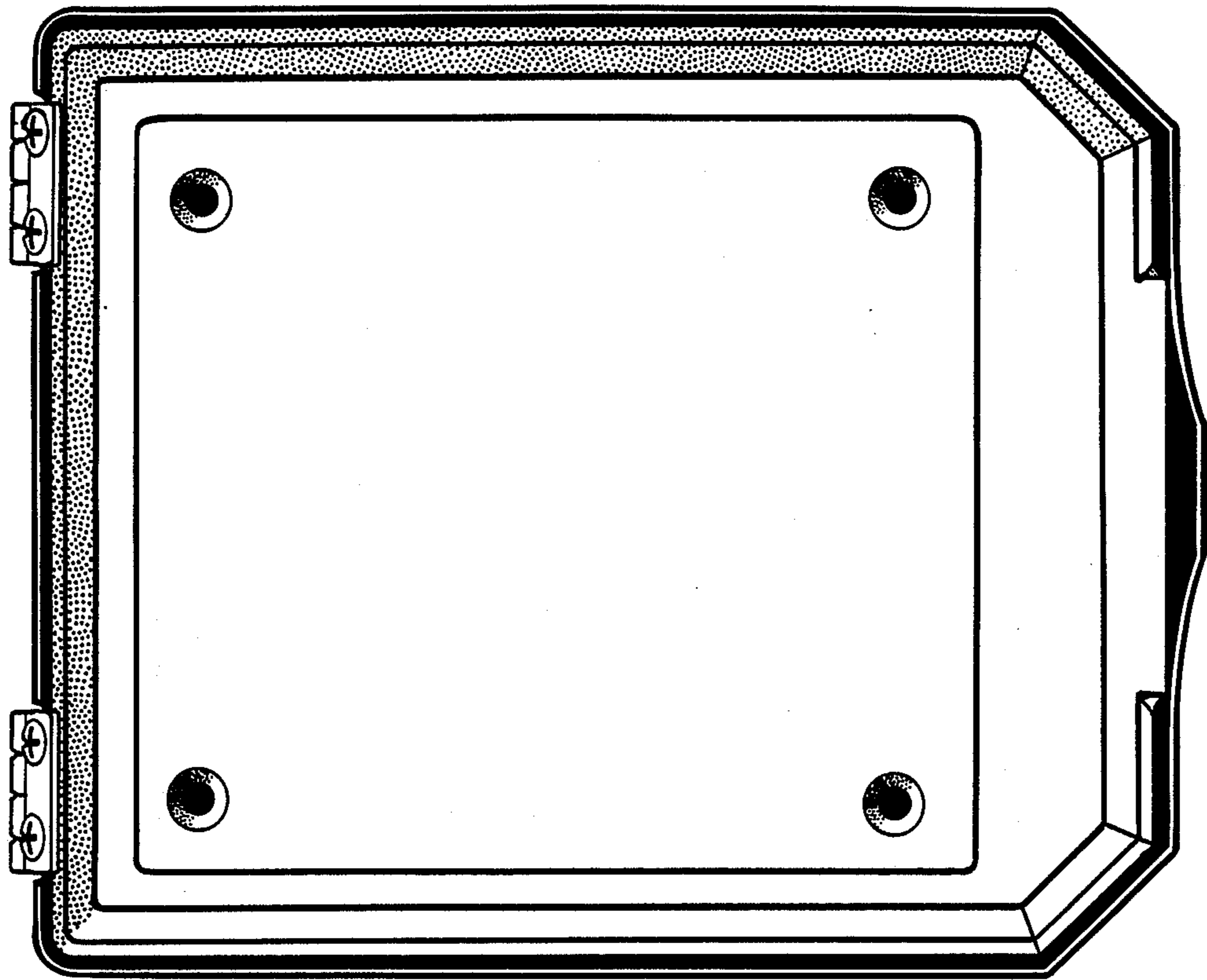


Fig. 4

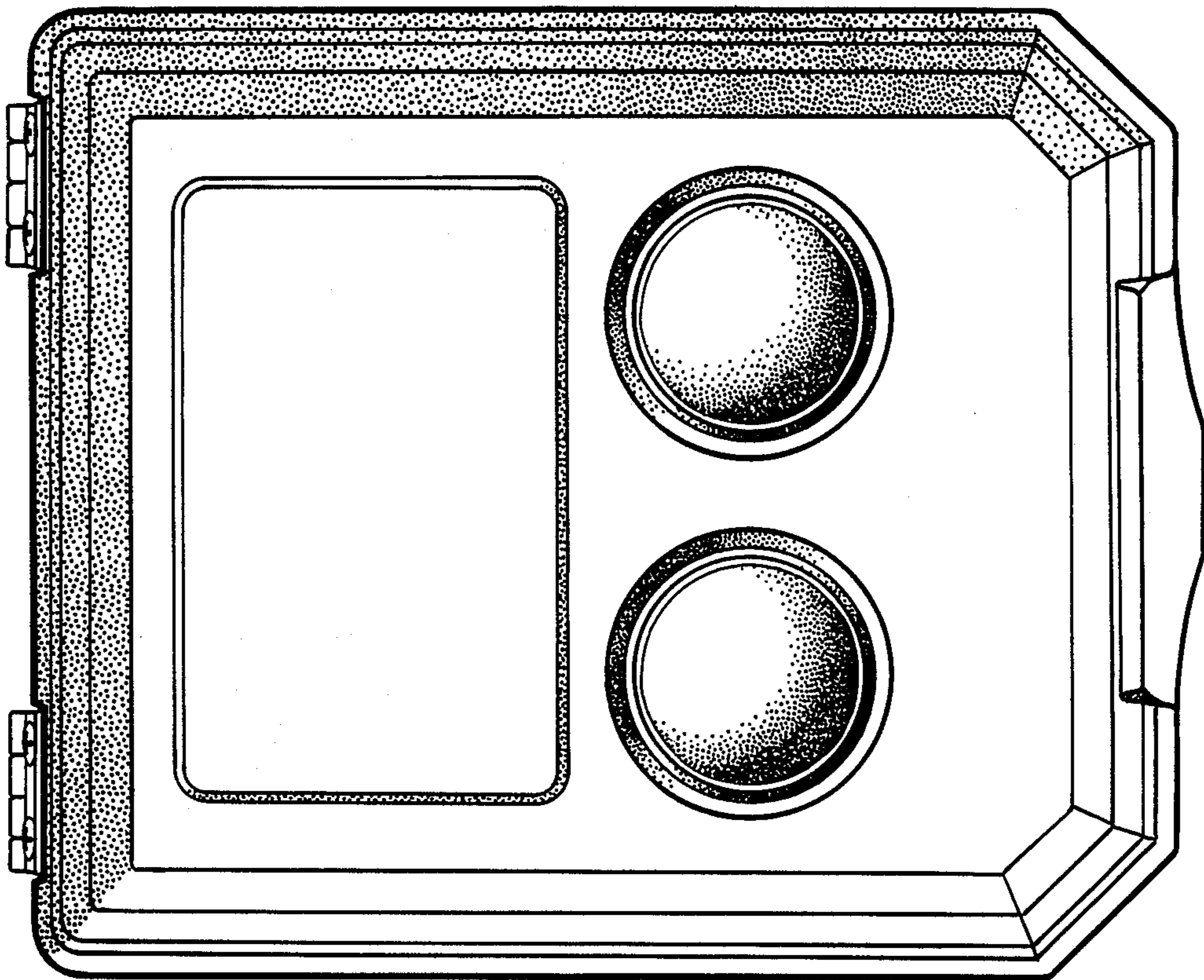


Fig. 3

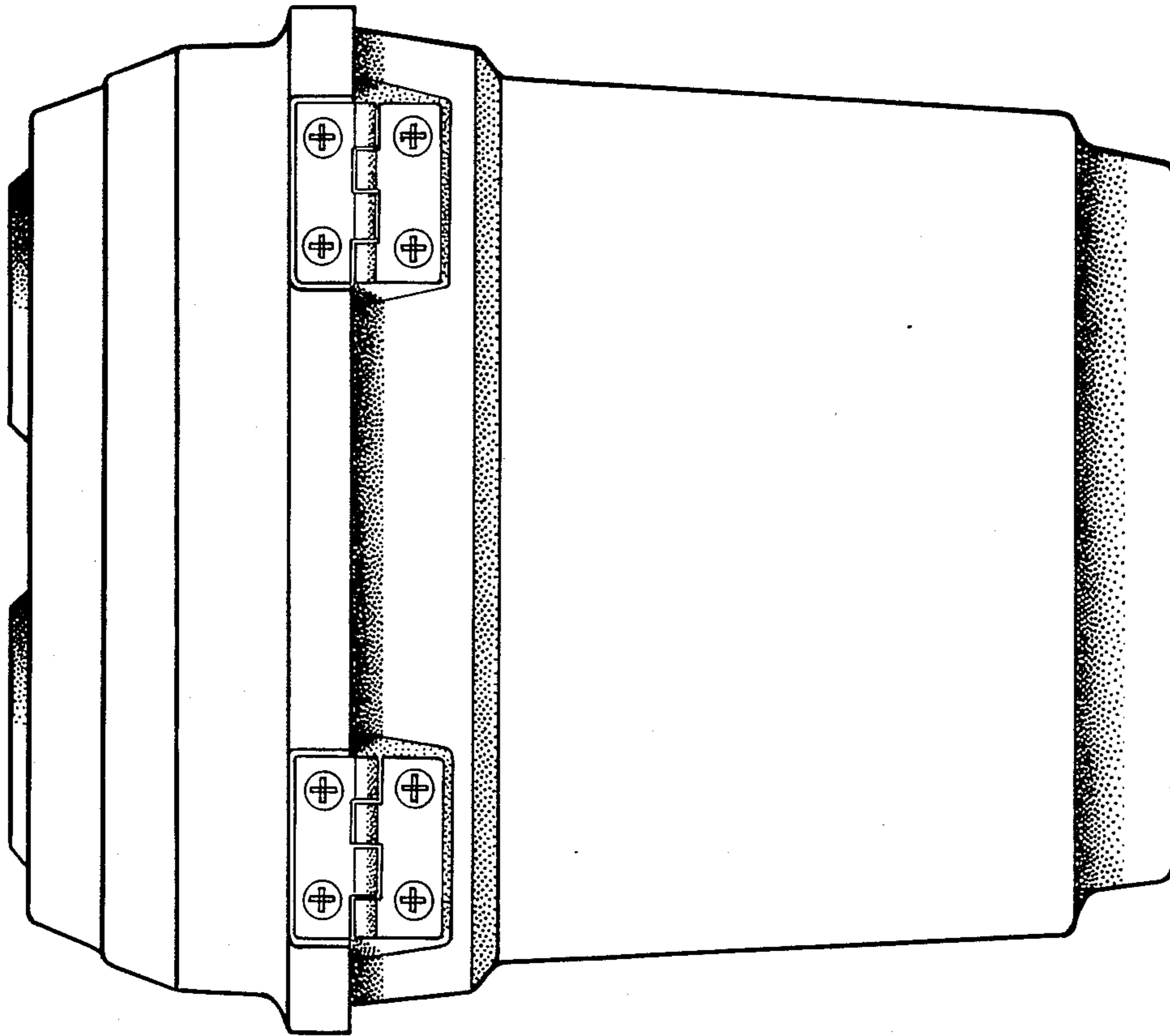


Figure 6

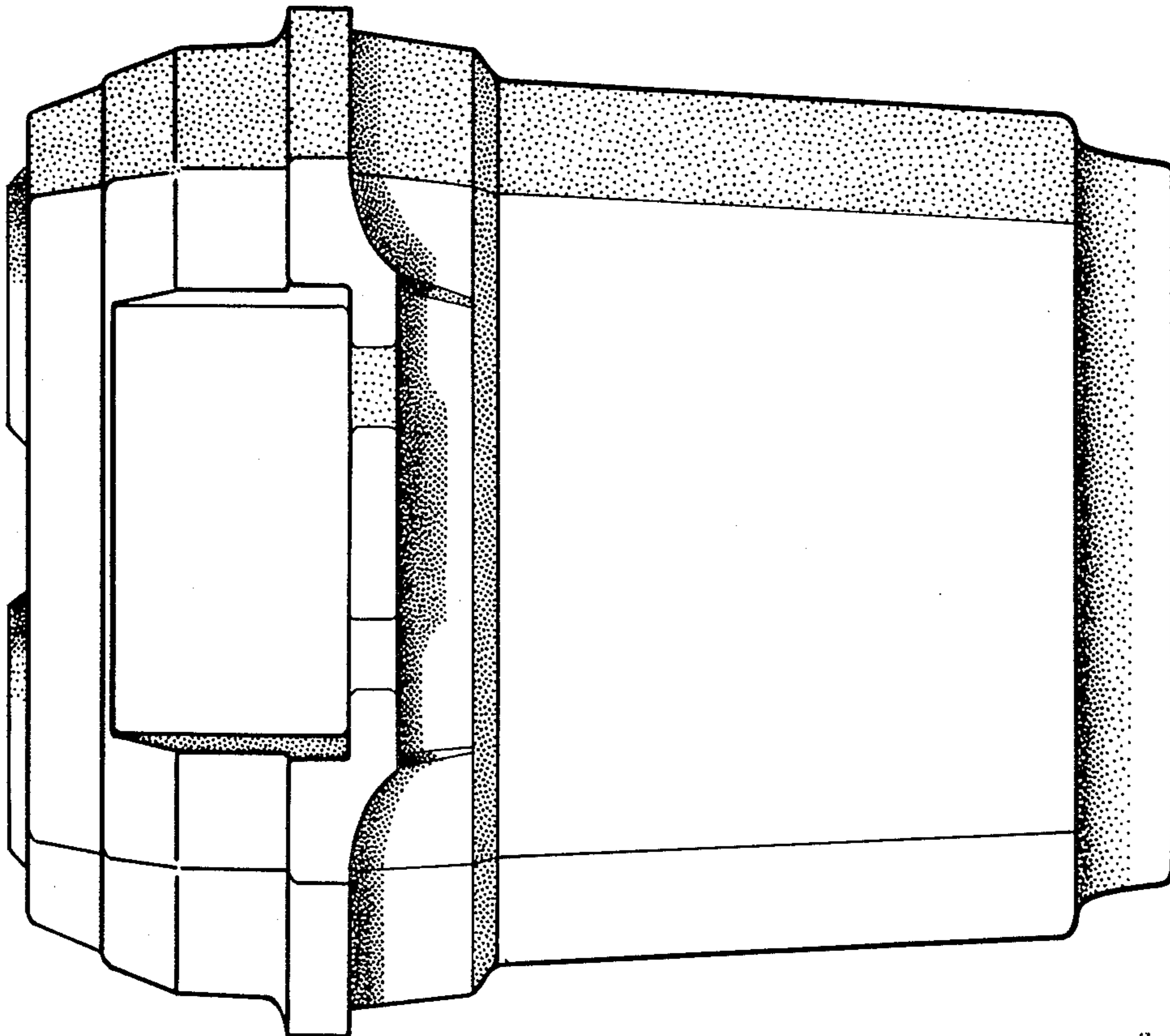


Figure 5