

United States Patent [19]

Dorning

[11] Patent Number: **Des. 304,257**

[45] Date of Patent: **** Oct. 31, 1989**

[54] **DICKEY AND HOOD COMBINATION**

[76] Inventor: **Larry R. Dorning, 11-B S. Court St., Hohenwald, Tenn. 38462**

[**] Term: **14 Years**

[21] Appl. No.: **869,922**

[22] Filed: **Jun. 2, 1986**

[52] U.S. Cl. **D2/181; D2/515**

[58] Field of Search **D2/44, 48, 52, 53, 129, D2/180, 181, 182, 183, 208, 225, 512, 515; 2/1, 87, 88, 104**

[56] **References Cited**

U.S. PATENT DOCUMENTS

D. 905,270	12/1908	Abraham	D2/183
2,131,248	9/1938	Astrove	2/88
2,370,158	2/1945	Grice et al.	2/88
2,417,271	3/1947	Snyder	D2/48
2,417,888	3/1947	Schuster	D2/183
2,528,630	11/1950	Winkler	2/114

OTHER PUBLICATIONS

Simplicity Patterns: 9-1977; p. 1286, Item No. 7681, Dickey.

Eddie Bauer: Mid Winter 1979; p. 4, Item No. 0130, Goose Down Chest Protector. Popular Club Plan; Fall & Winter, 1984-1985, p. 53, Item No. 1613; Fox Run Jacket.

Primary Examiner—B. J. Bullock
Assistant Examiner—Celia A. Murphy
Attorney, Agent, or Firm—Walker & McKenzie

[57] **CLAIM**

The ornamental design for a dickey and hood combination, as shown and described.

DESCRIPTION

FIG. 1 is a front elevational view of a dickey and hood combination showing my new design; the collar being shown folded;

FIG. 2 is a rear elevational view thereof;

FIG. 3 is a right side elevational view thereof; the left side being a mirror image;

FIG. 4 is an exploded front elevational view thereof;

FIG. 5 is a fragmentary front elevational view of the design, shown separately for clarity of illustration the collar being shown unfolded.

FIG. 6 is a fragmentary front elevational view of FIG. 5; the collar shown open.

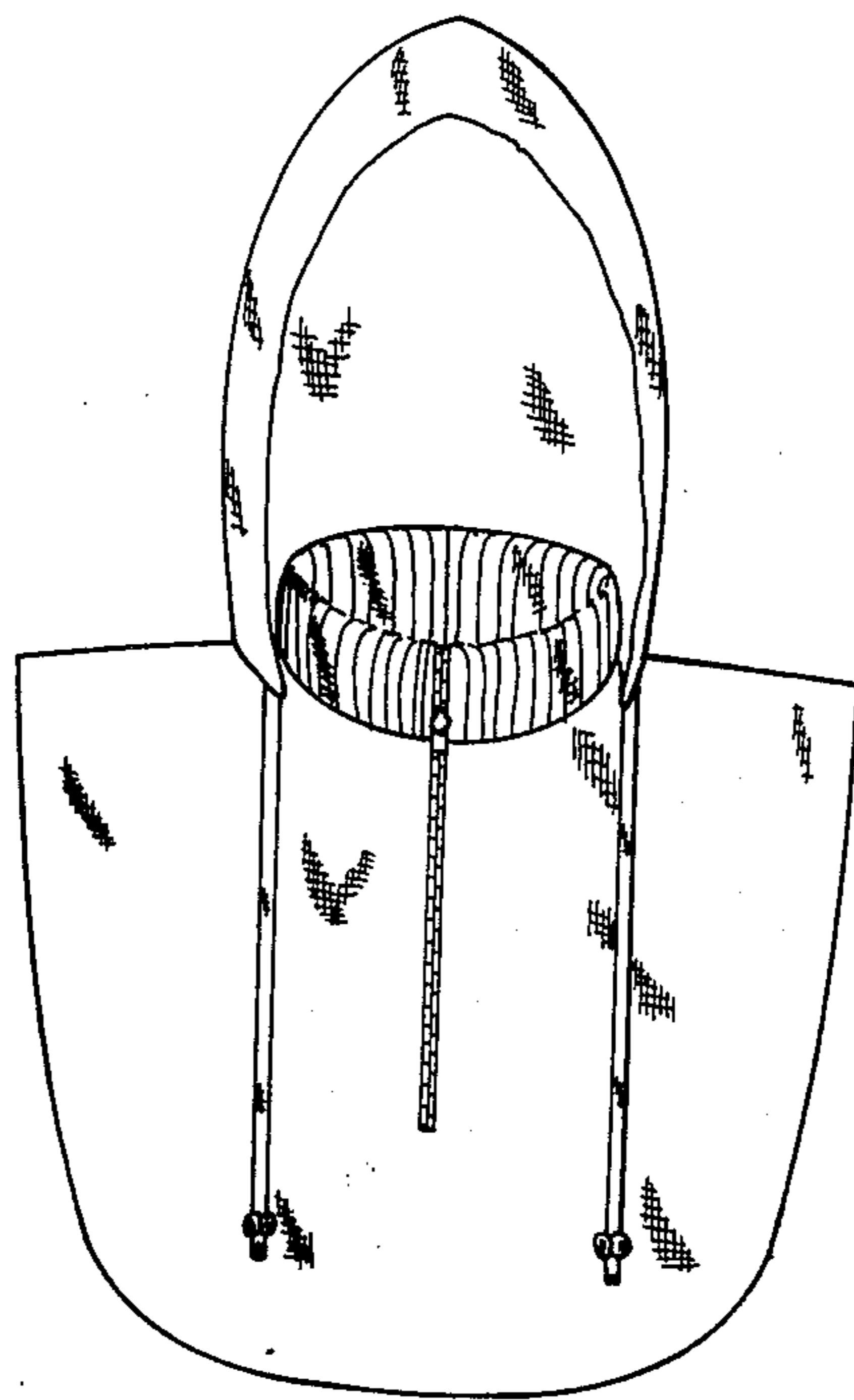


FIG. 1

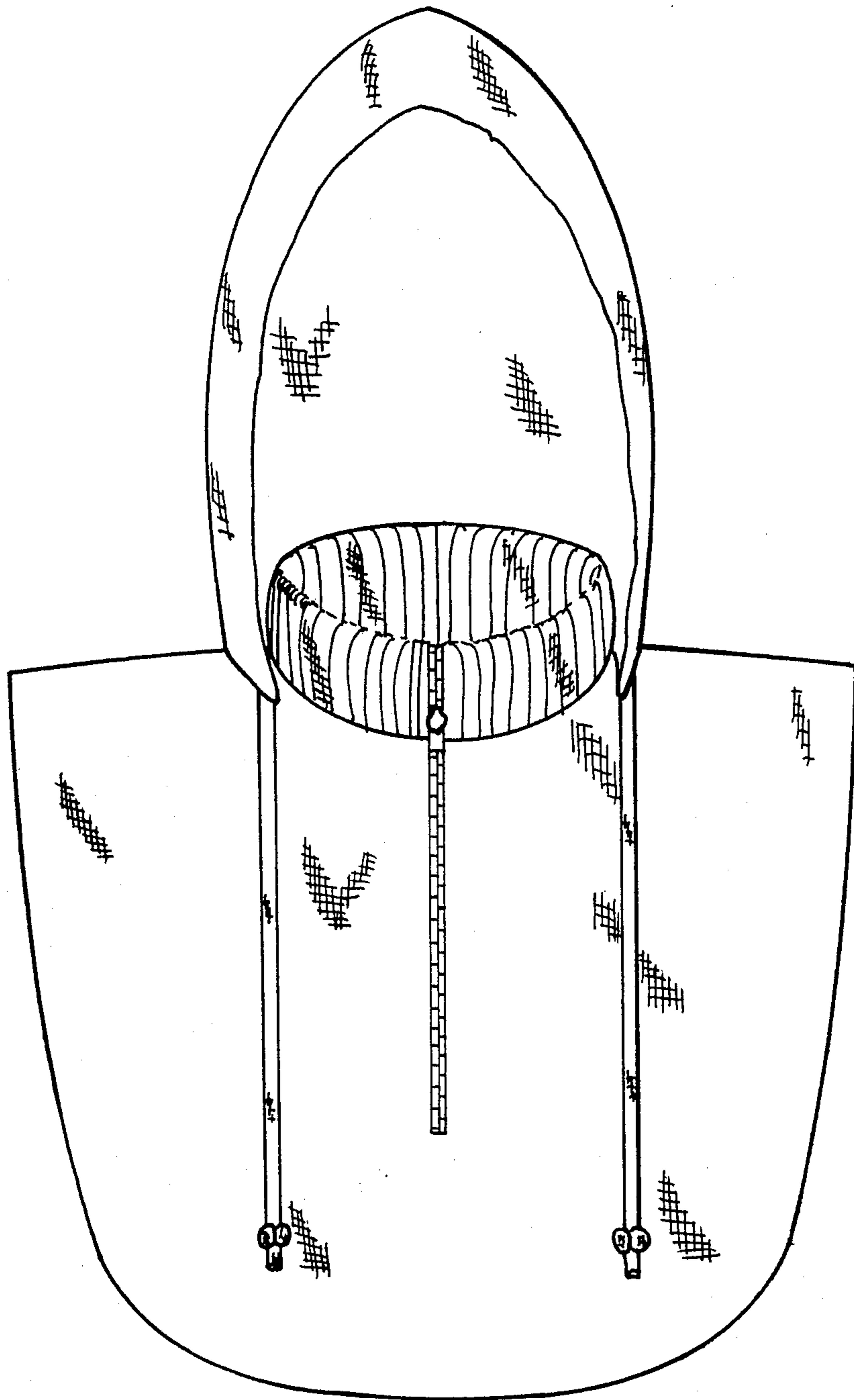


FIG. 2

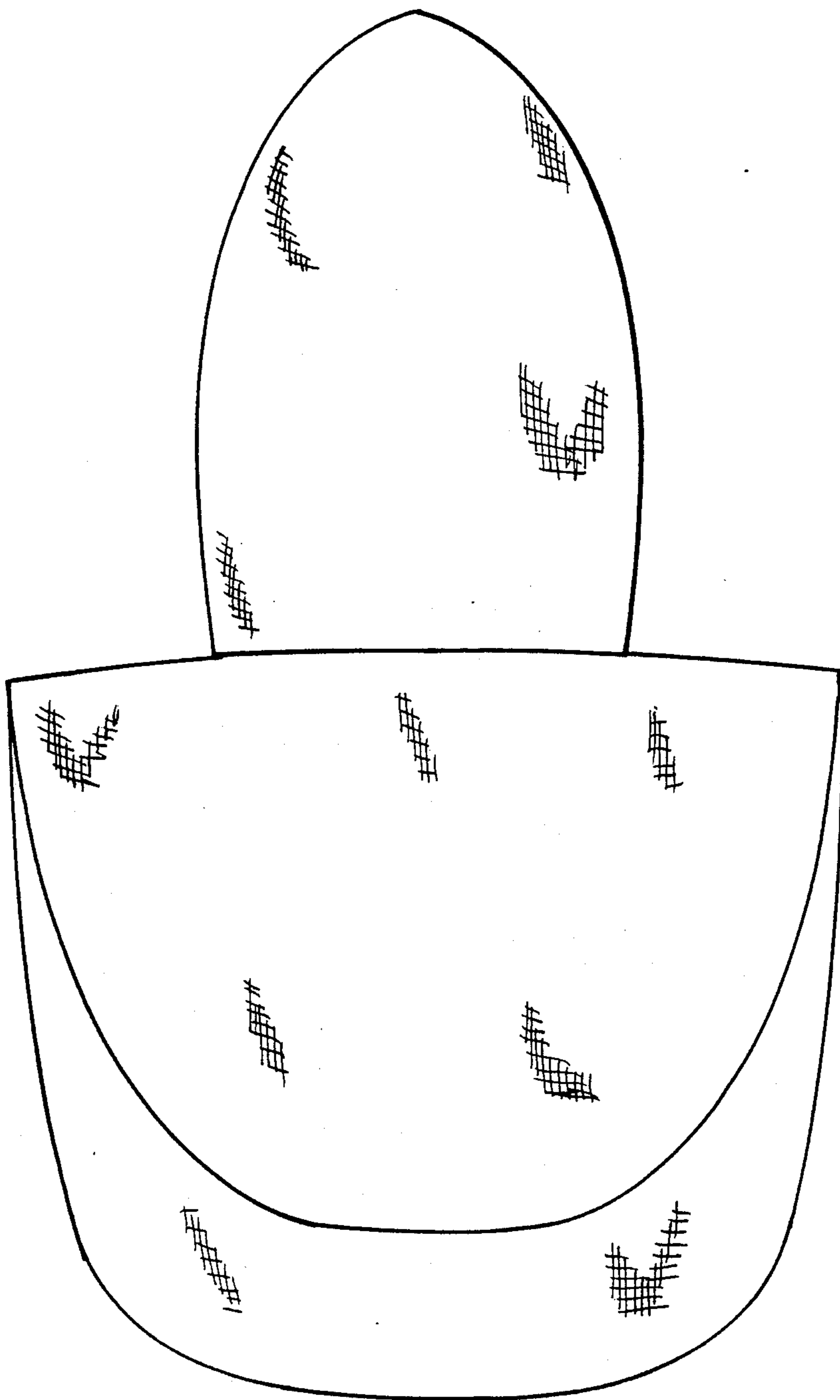


FIG. 3

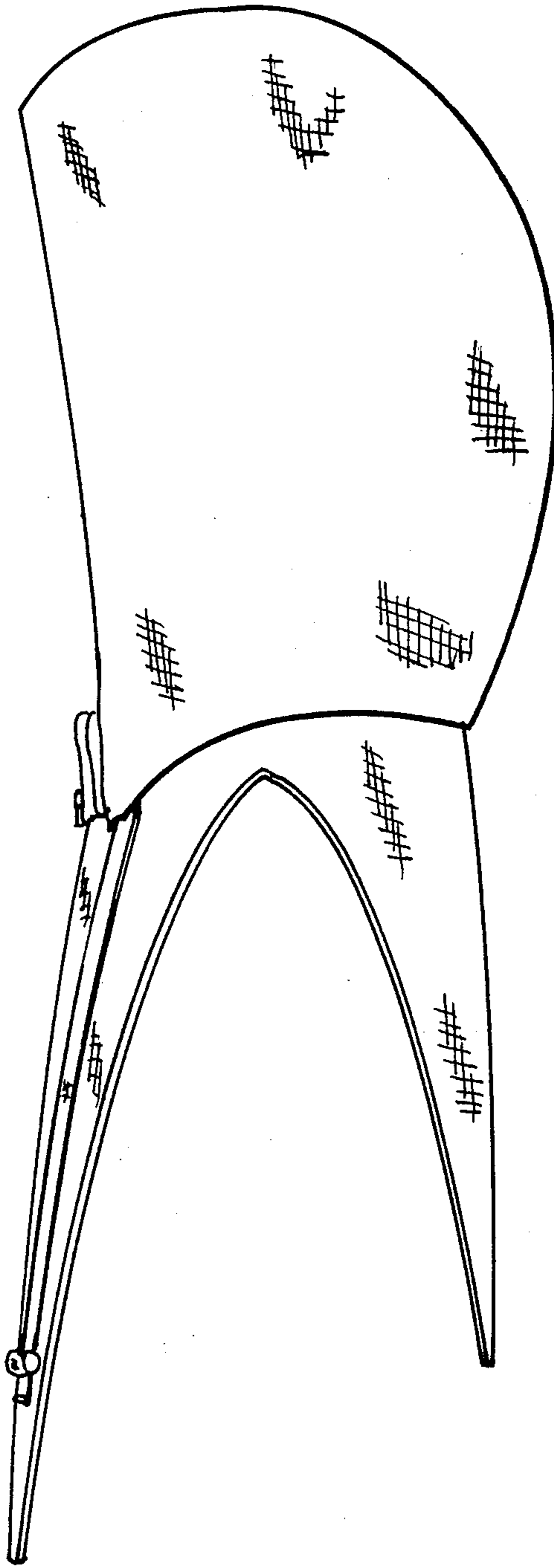


FIG. 4

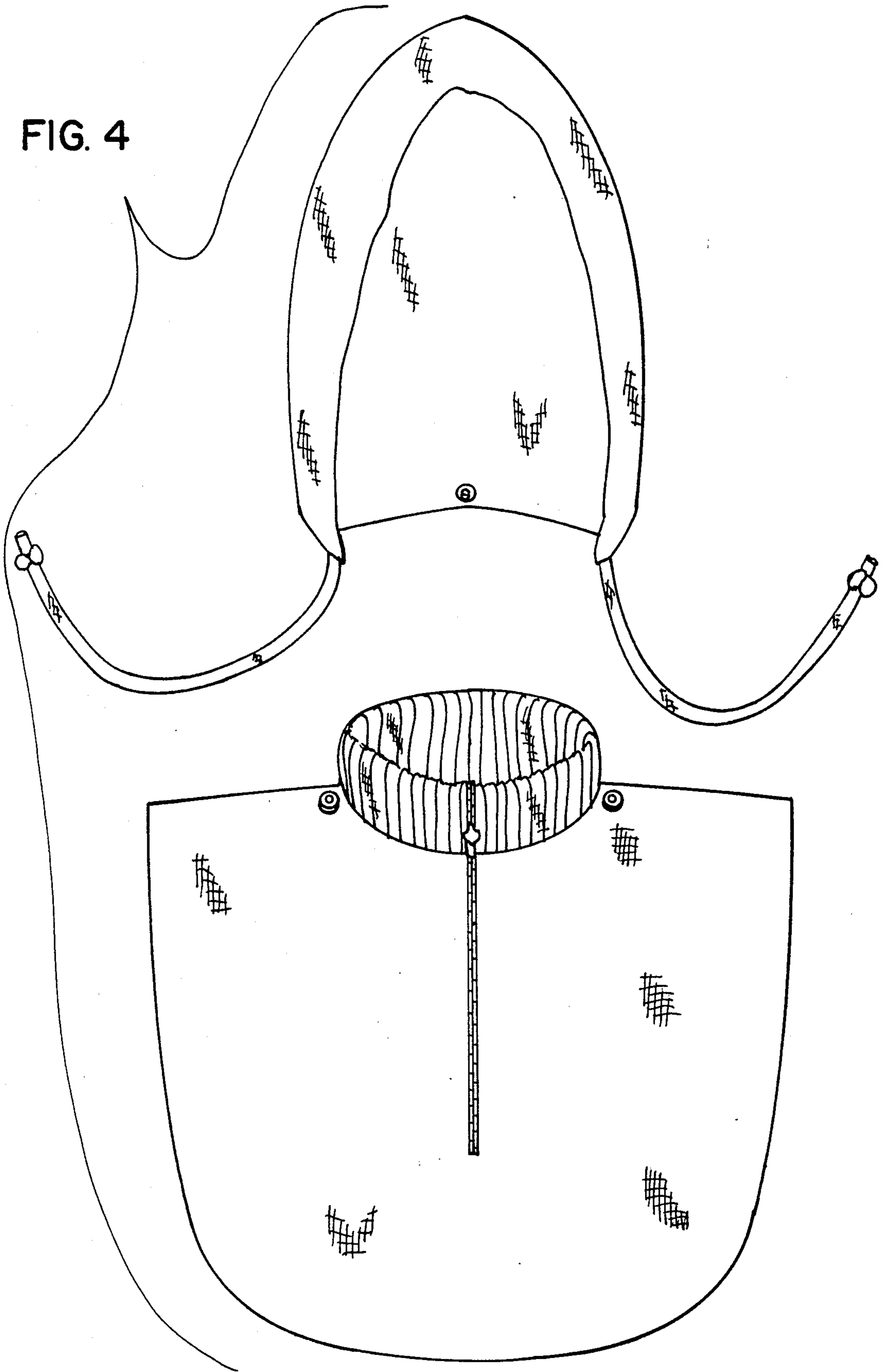


FIG. 5

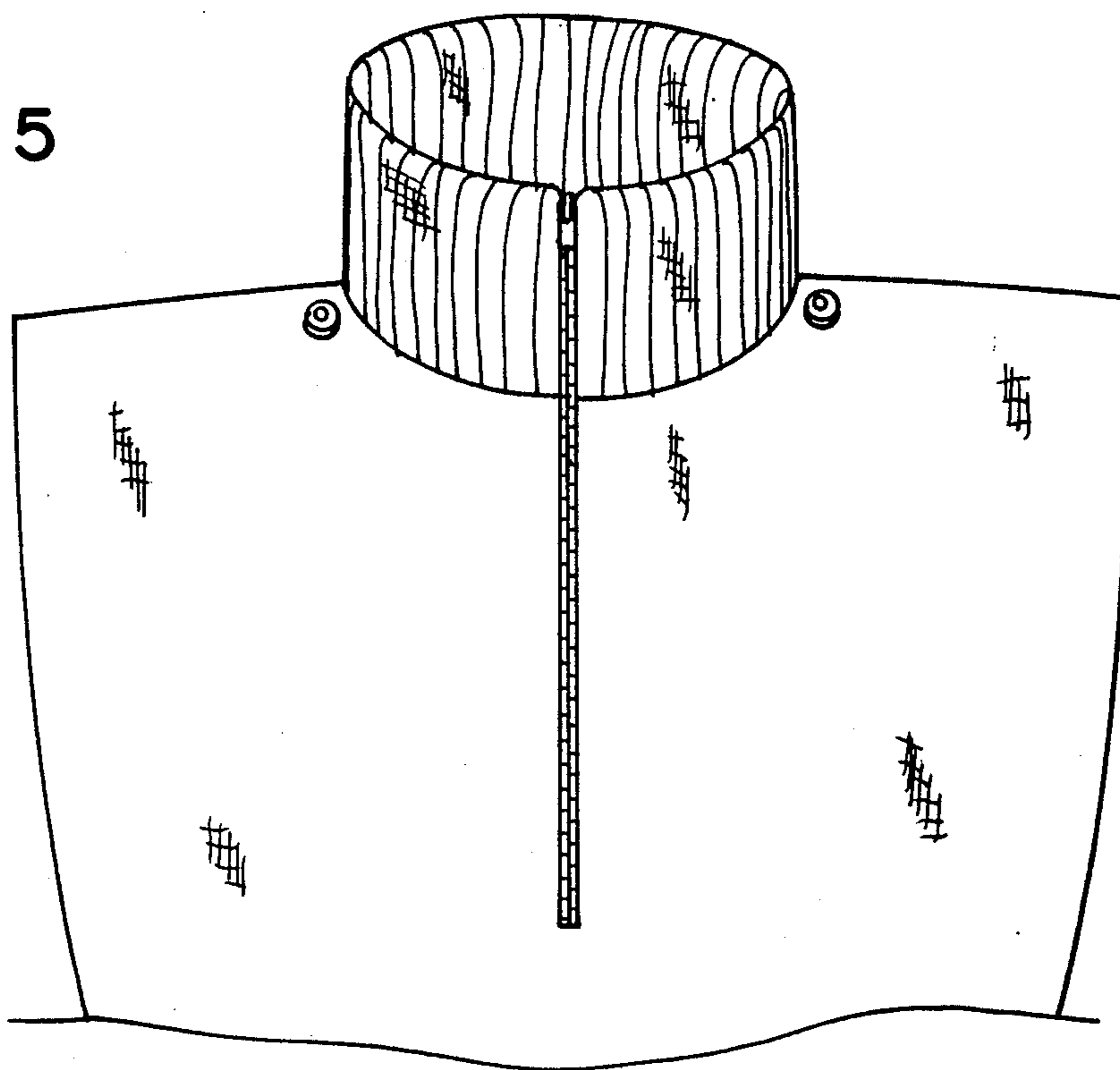


FIG. 6

