

[54] **VERTICAL MARINE WINDLASS**

[75] **Inventors: Gordon M. Lyall, Glasgow; Philip F. McCarron, Paisley, both of Scotland**

[73] **Assignee: Simpson-Lawrence Limited, Glasgow, Scotland**

[\*\*] **Term: 14 Years**

[21] **Appl. No.: 834,033**

[22] **Filed: Feb. 14, 1986**

[52] **U.S. Cl. .... D34/33; D12/317**

[58] **Field of Search ..... D12/317; D34/33, 34, D34/35, 28; 114/249, 253; 254/369, 218, 371, 374, 265; 280/480**

[56] **References Cited**

**U.S. PATENT DOCUMENTS**

D. 272,900 3/1984 Obst ..... D12/317

D. 292,137	9/1987	Andersen .....	D34/33
1,754,691	4/1930	Melbye .....	D34/33
4,523,744	6/1985	Bonassi .....	254/371
4,595,173	6/1986	Anderson .....	254/371

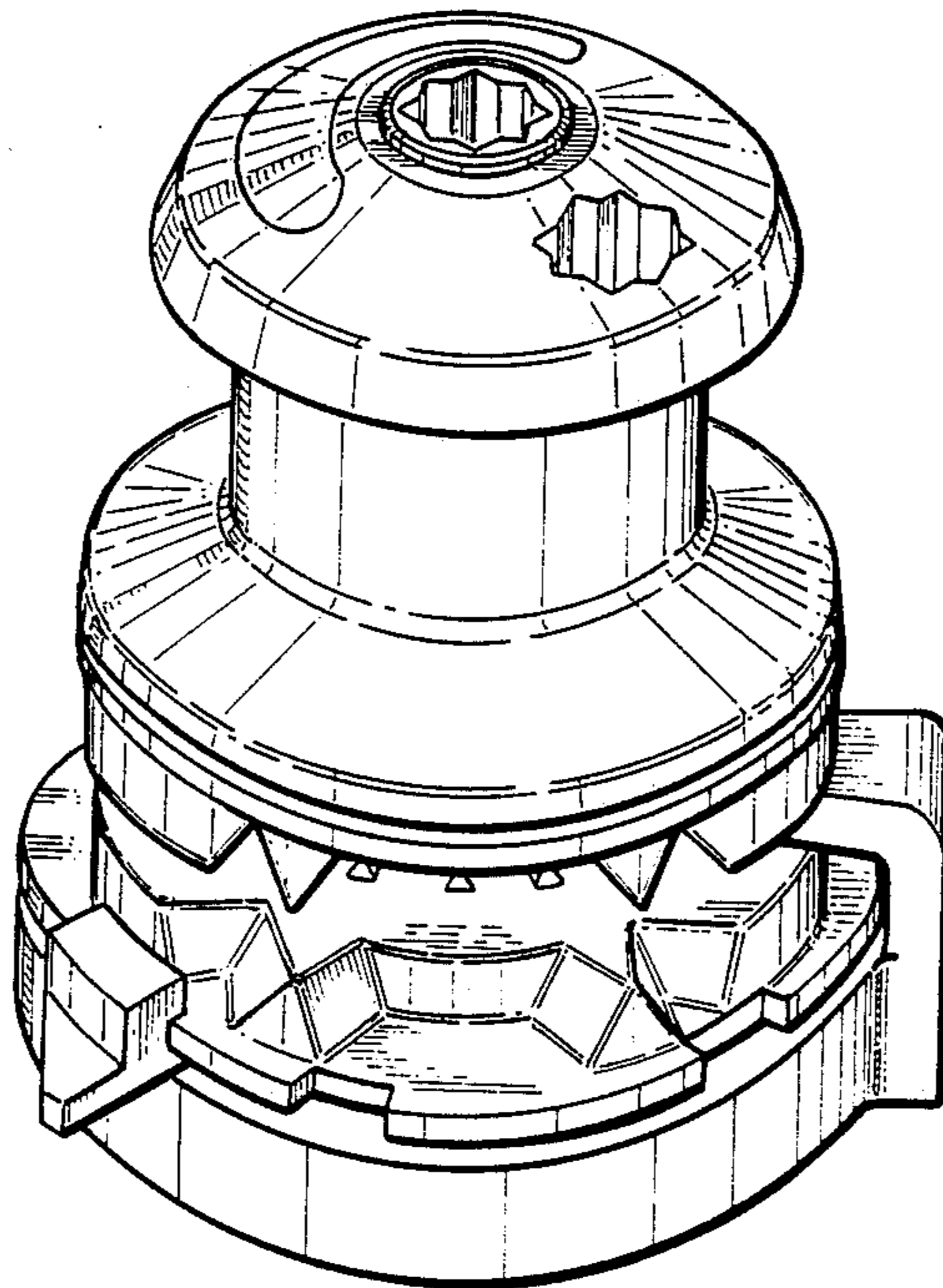
*Primary Examiner*—Wallace R. Burke  
*Assistant Examiner*—Kay H. Chin  
*Attorney, Agent, or Firm*—Stephen G. Rudisill

[57] **CLAIM**

The ornamental design for a vertical marine windlass, as shown and described.

**DESCRIPTION**

FIG. 1 is a top plan view of a vertical marine windlass showing our new design;  
FIG. 2 is a bottom plan view thereof;  
FIG. 3 is a side elevational view thereof, the opposite side elevational view being a mirror image of that shown; and  
FIG. 4 is a top perspective view thereof.



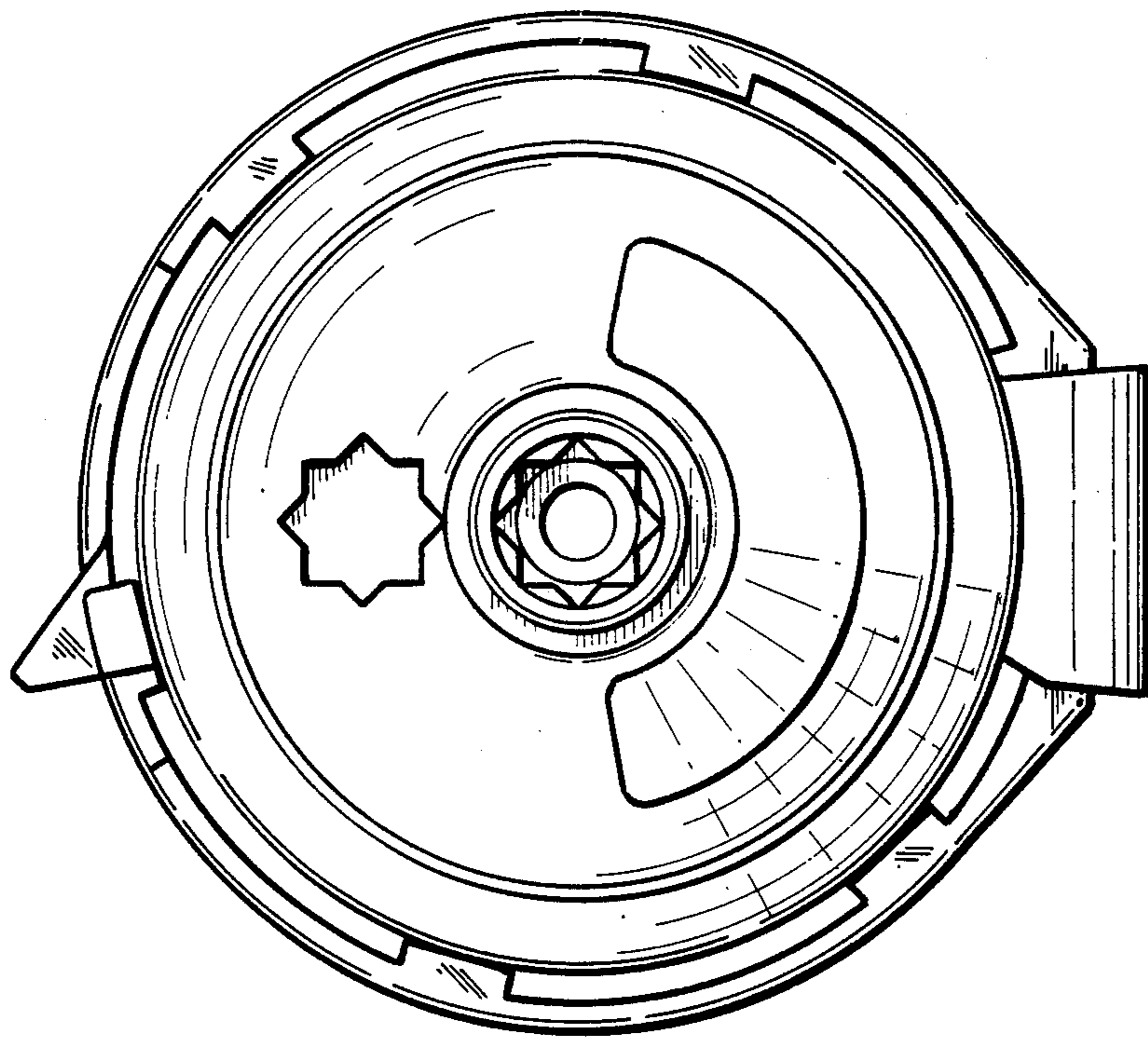


FIG. 1

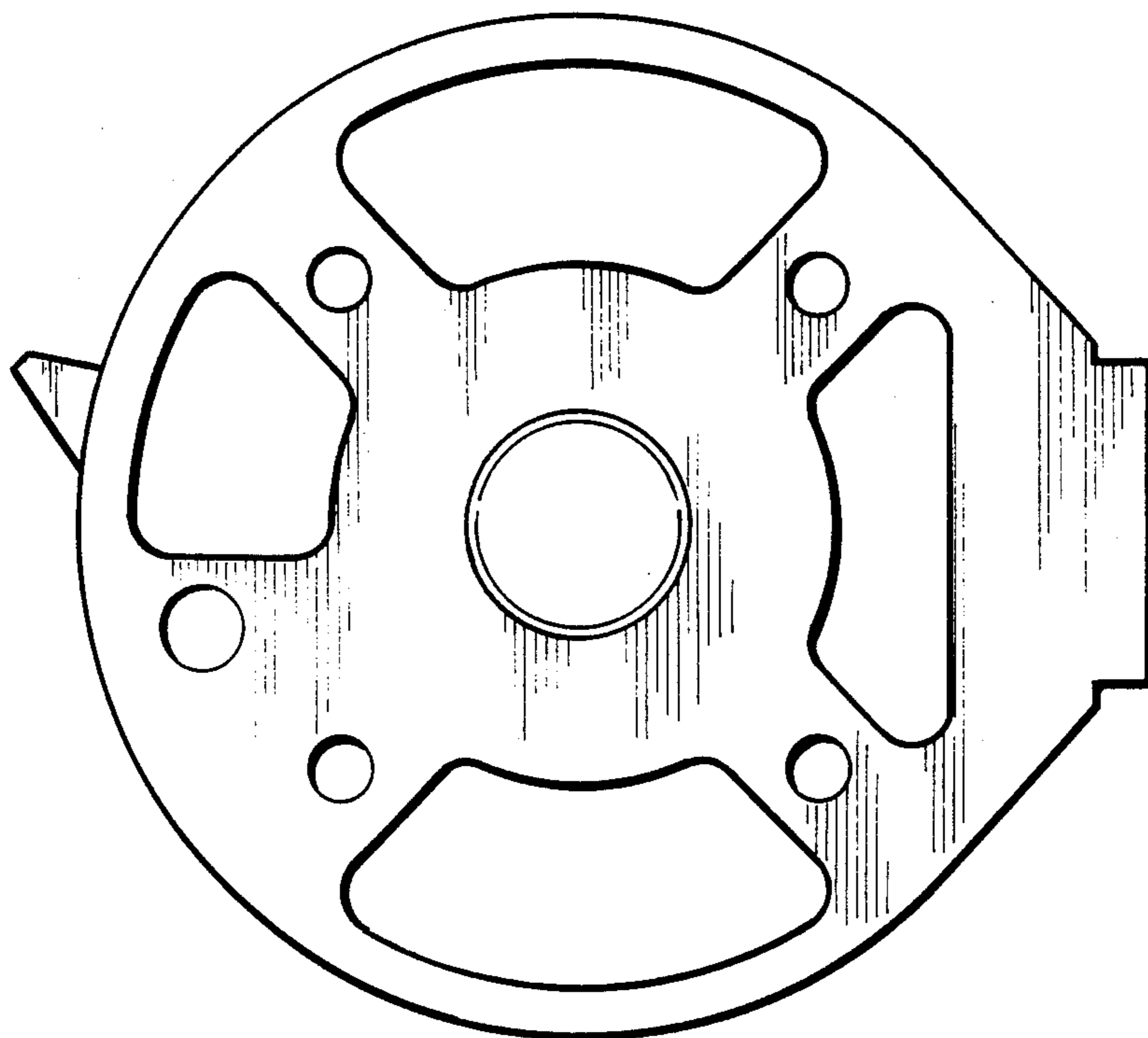


FIG. 2

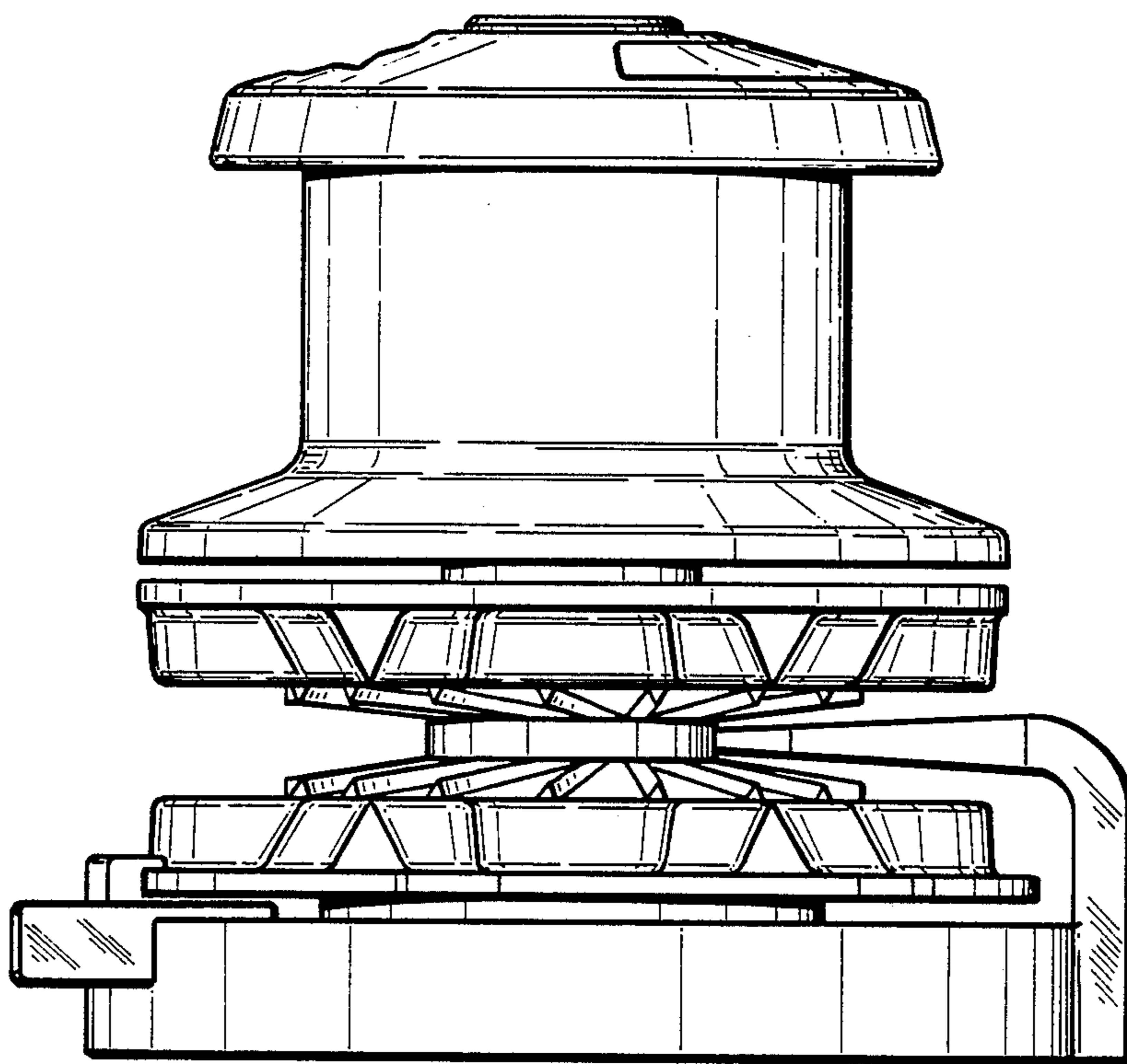


FIG. 3

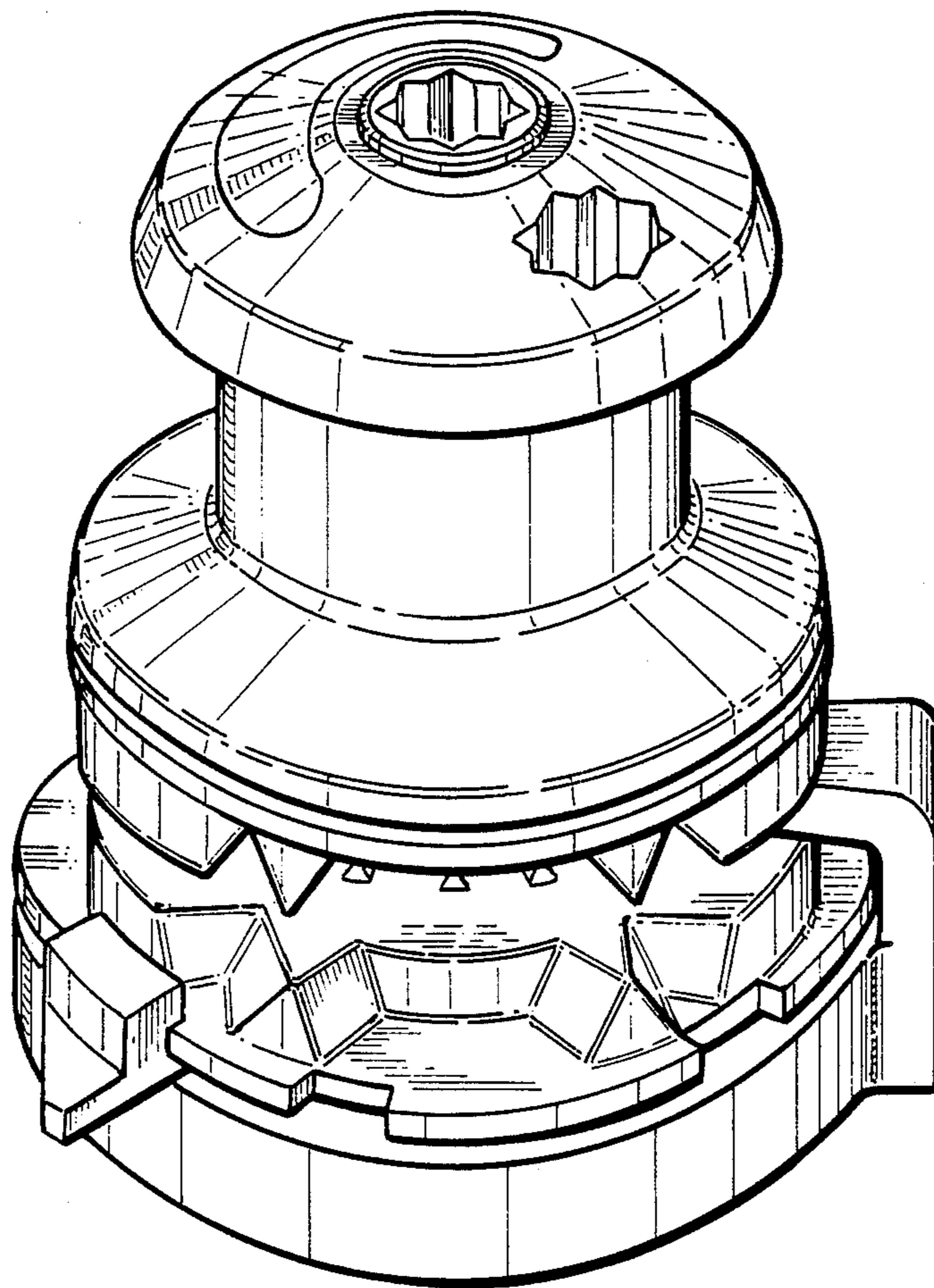


FIG 4