

[54] DUAL VACUUM CLEANER DESIGN

[75] Inventor: Emerson J. Purkapile, Chicago, Ill.

[73] Assignee: Philips Home Products, Akron, Ohio

[\*\*] Term: 14 Years

[21] Appl. No.: 136,642

[22] Filed: Feb. 22, 1988

[52] U.S. Cl. .... D32/21

[58] Field of Search ..... D32/21, 23-24; 15/320-321, 323, 327 R, 327 F, 327 D, 327 E, 353, 412, 328; 55/417, 337, 472-473

[56] References Cited

U.S. PATENT DOCUMENTS

D. 190,112	4/1961	Peterson	.....	D32/21
D. 212,710	11/1968	Mango et al.	.....	D32/21
D. 213,639	3/1969	Fegan	.....	D32/21
2,986,765	6/1961	Ernolf et al.	.....	15/412
4,266,317	5/1981	Duda	.....	15/321

Primary Examiner—Bruce W. Dunkins

Assistant Examiner—Ruth Takemoto

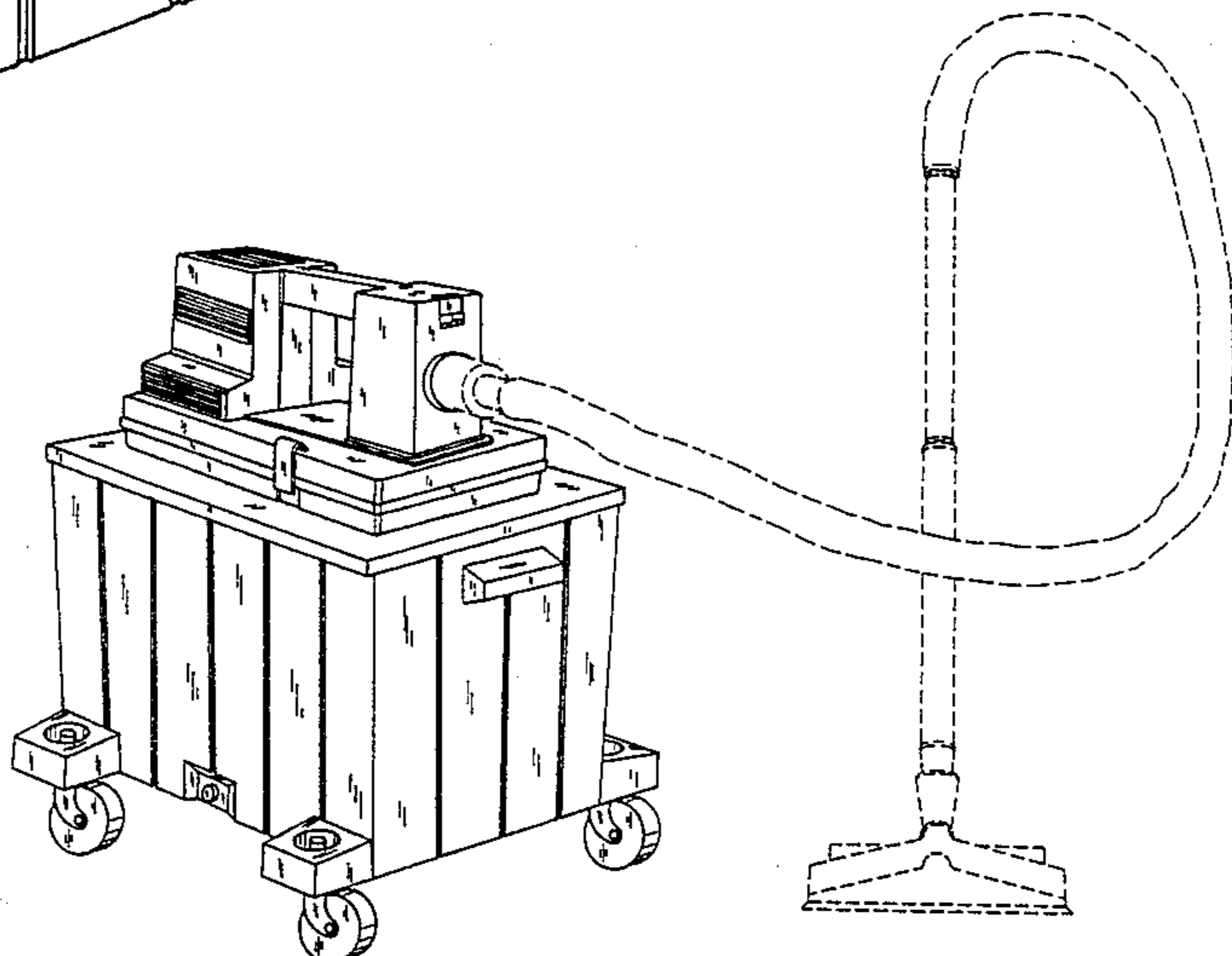
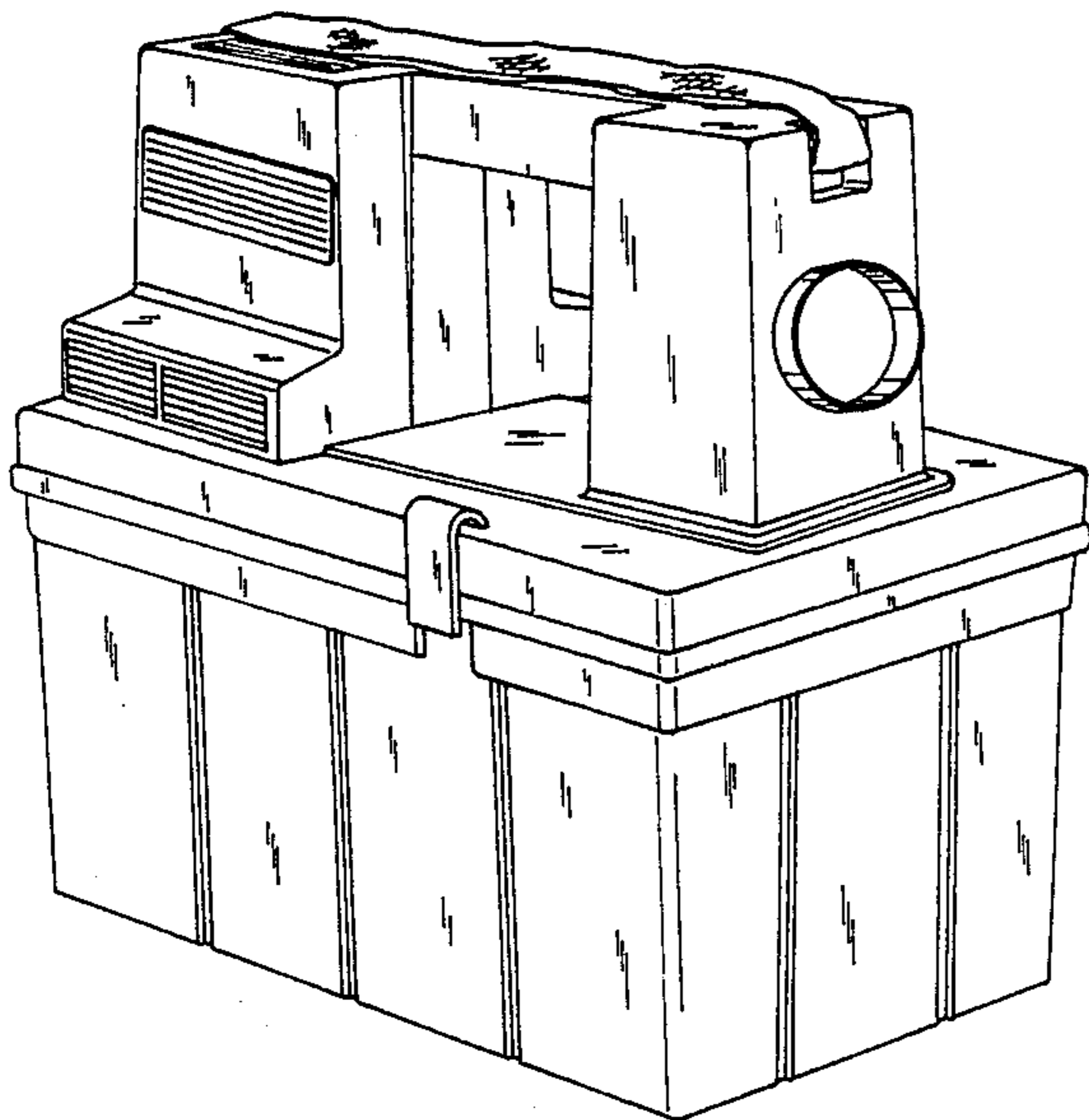
Attorney, Agent, or Firm—Pearne, Gordon, McCoy & Granger

[57] CLAIM

The ornamental design for a vacuum cleaner, as shown.

DESCRIPTION

FIG. 1 is a perspective view of a vacuum cleaner showing my new design;  
 FIG. 2 is a top plan view thereof, with the carrying strap removed;  
 FIG. 3 is an end elevational view thereof;  
 FIG. 4 is a side elevational view thereof;  
 FIG. 5 is a bottom plan view thereof;  
 FIG. 6 is a perspective view of a second embodiment thereof, the nozzle and hose are shown in broken lines for illustrative purposes only and form no part of the claimed design;  
 FIG. 7 is a top plan view thereof;  
 FIG. 8 is an end elevational view thereof;  
 FIG. 9 is a side elevational view thereof; and  
 FIG. 10 is a bottom plan view thereof;  
 The electric cord shown broken away in FIGS. 2-4 and 7-9 is understood to represent indeterminate length.



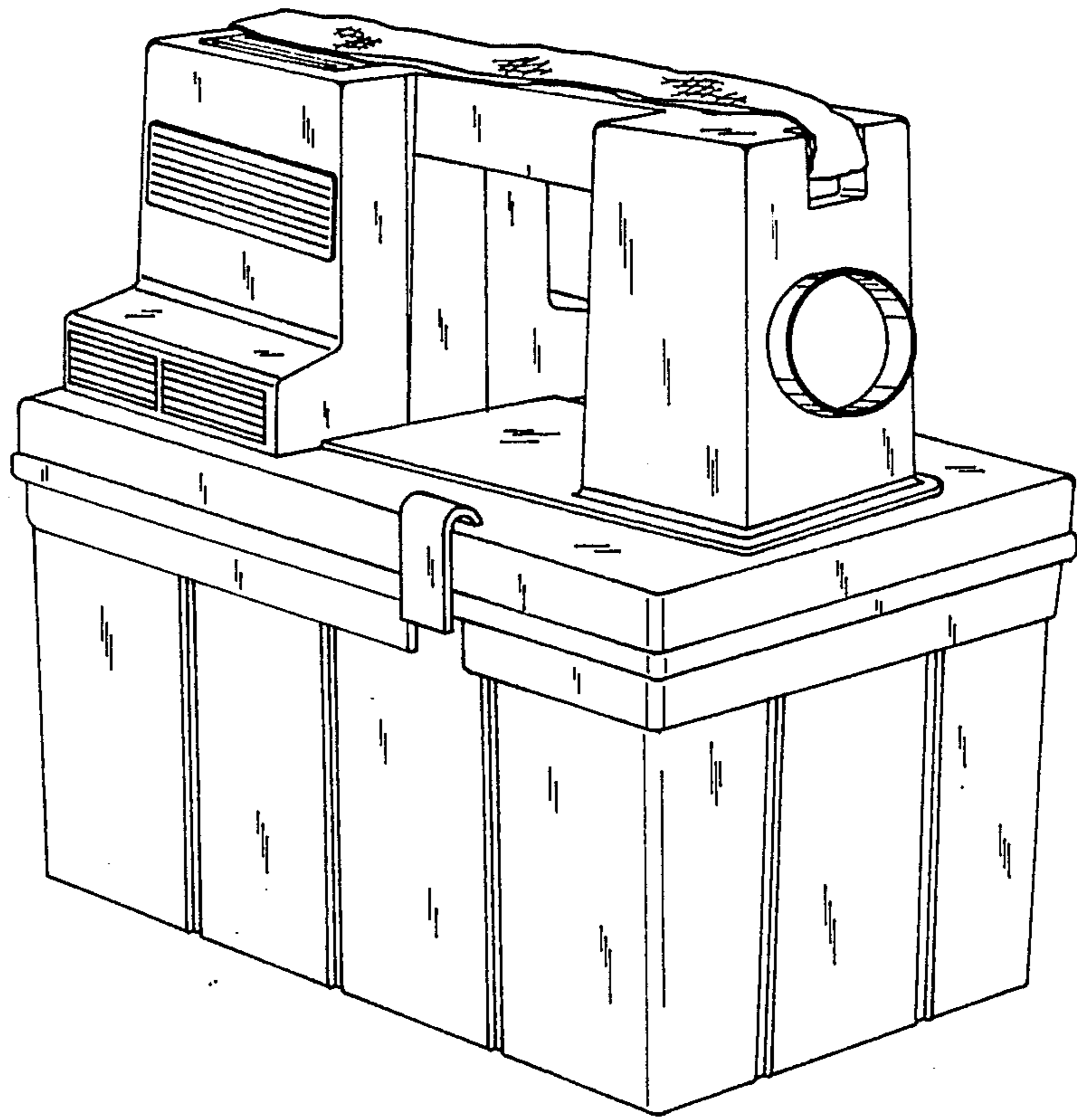


FIG. 1

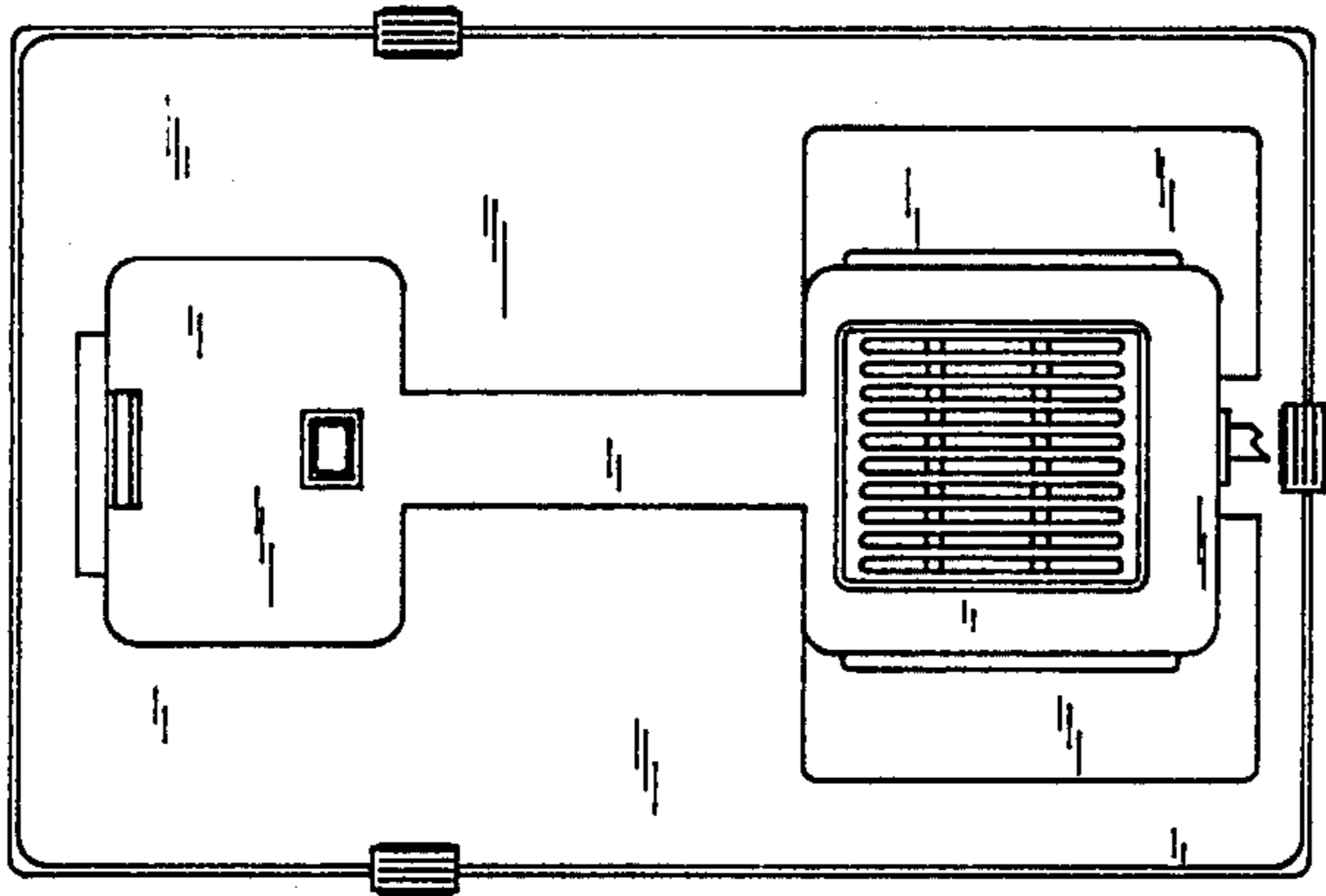


FIG. 2

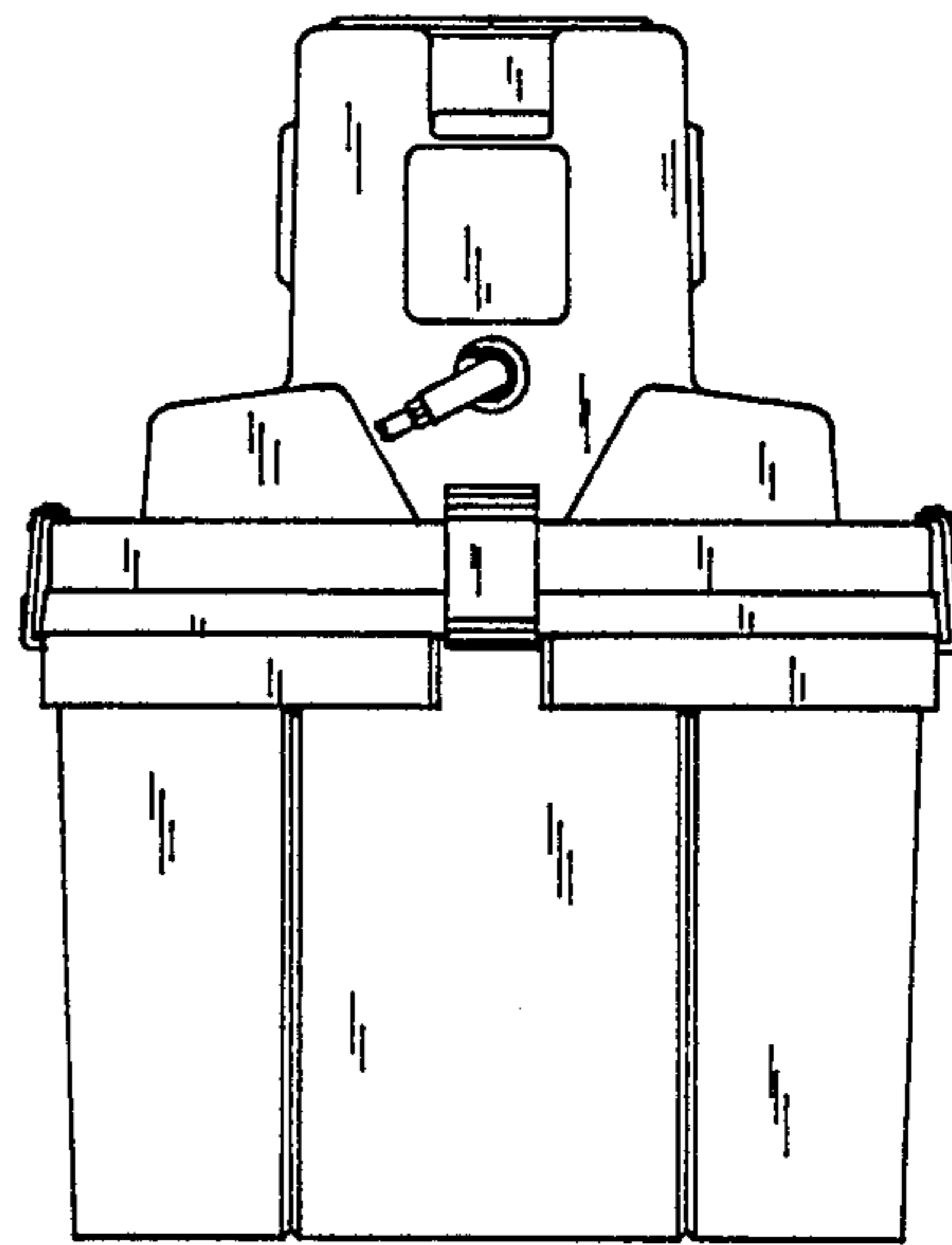


FIG. 3

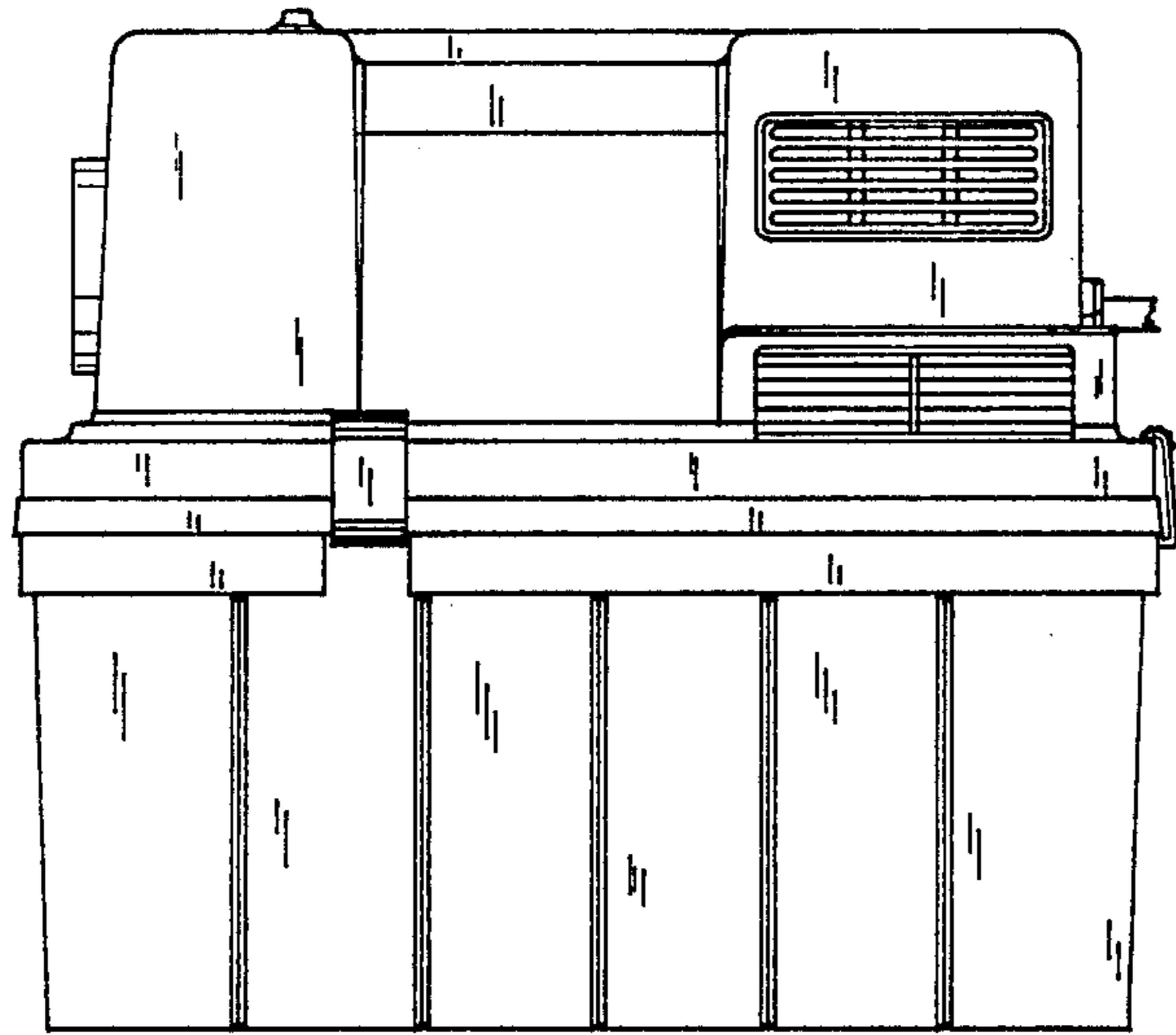


FIG. 4

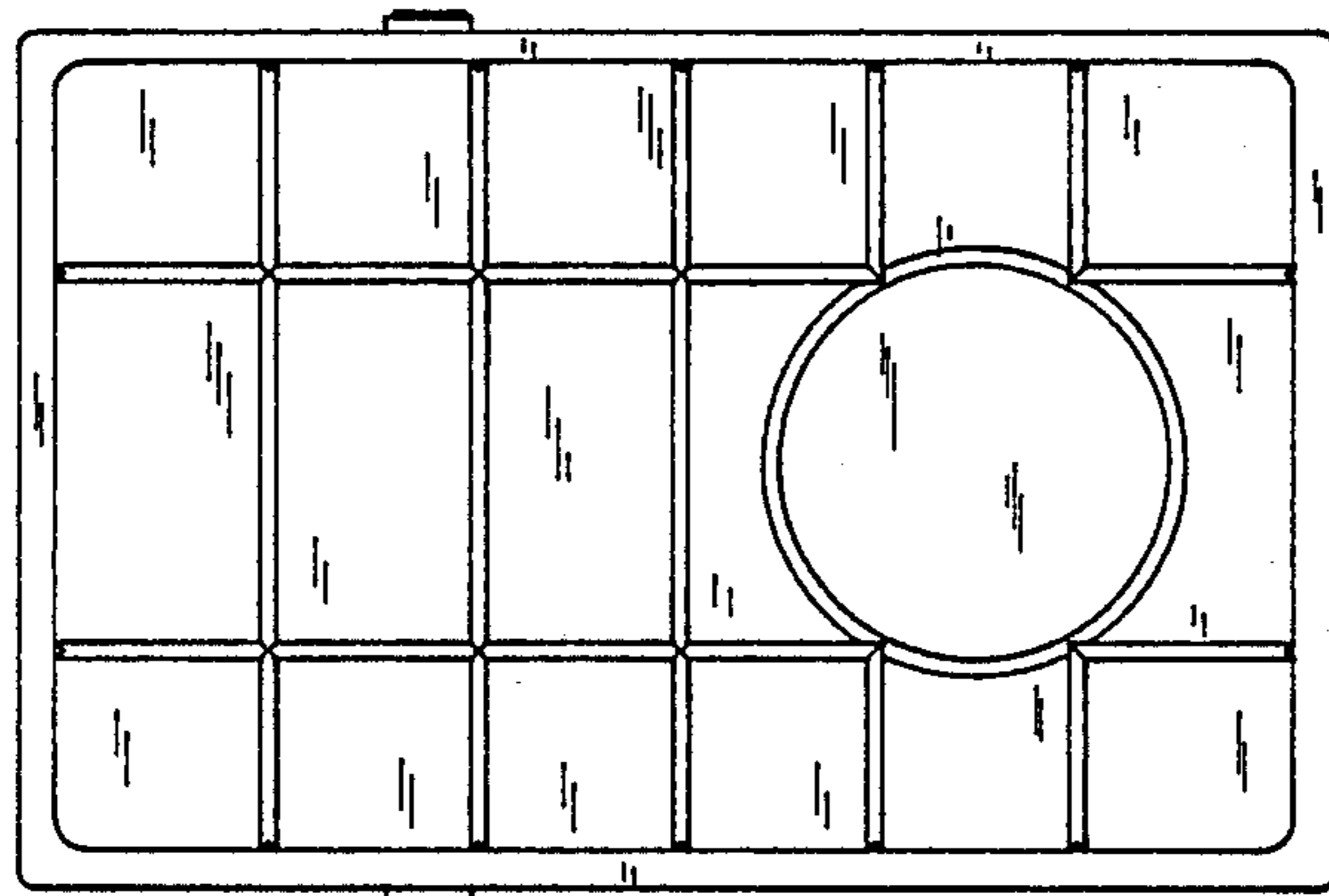


FIG. 5

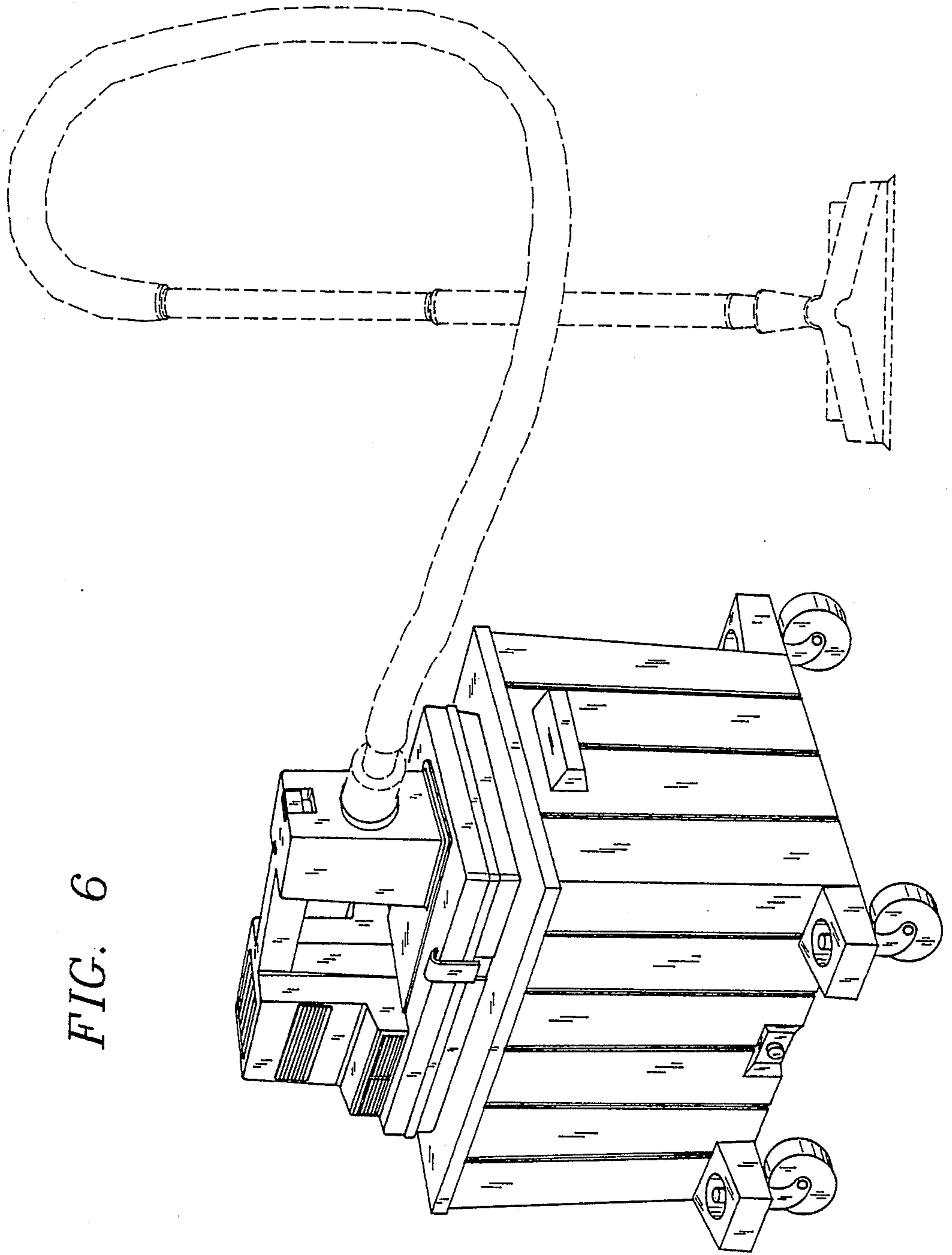


FIG. 6

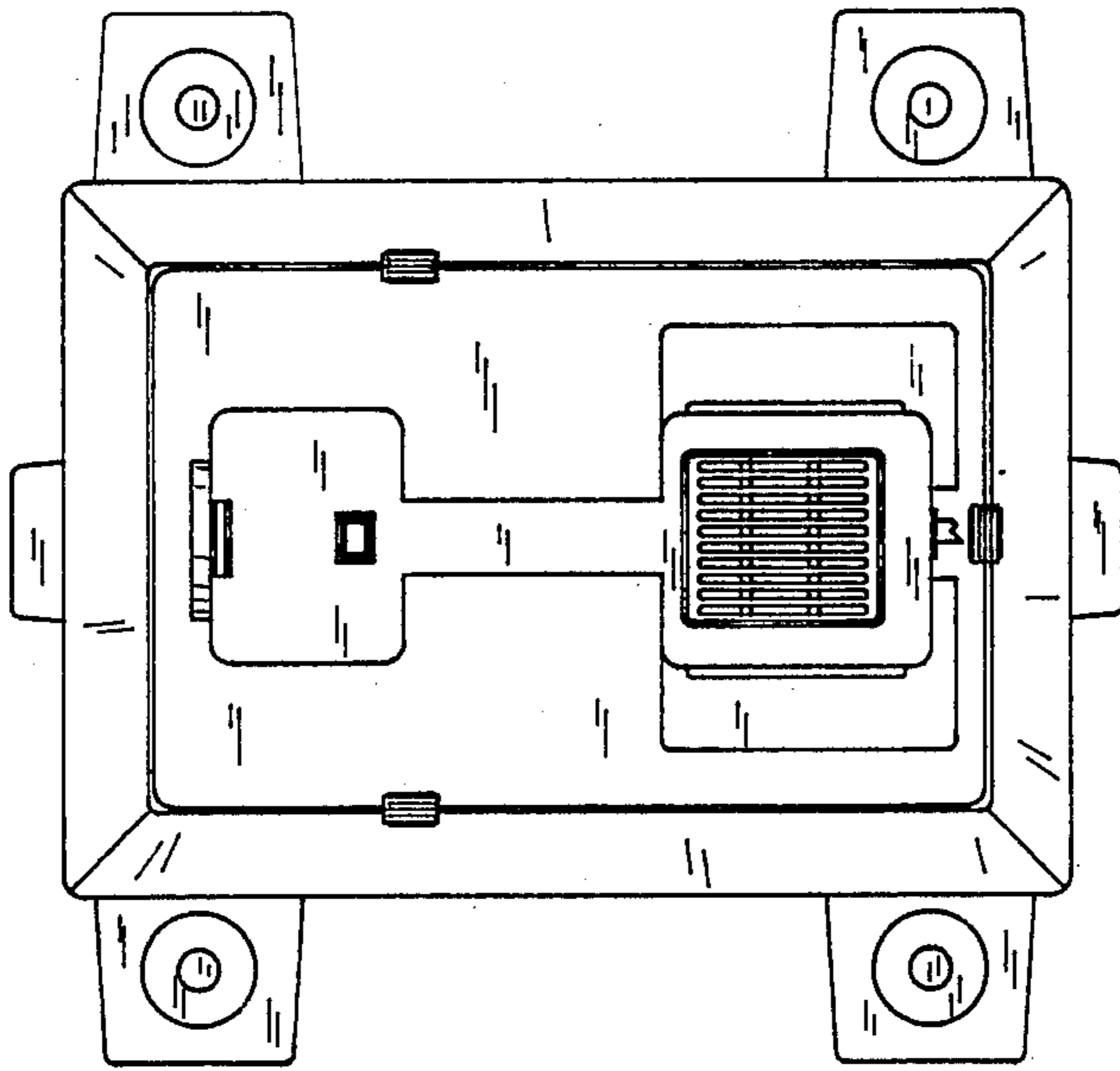


FIG. 7

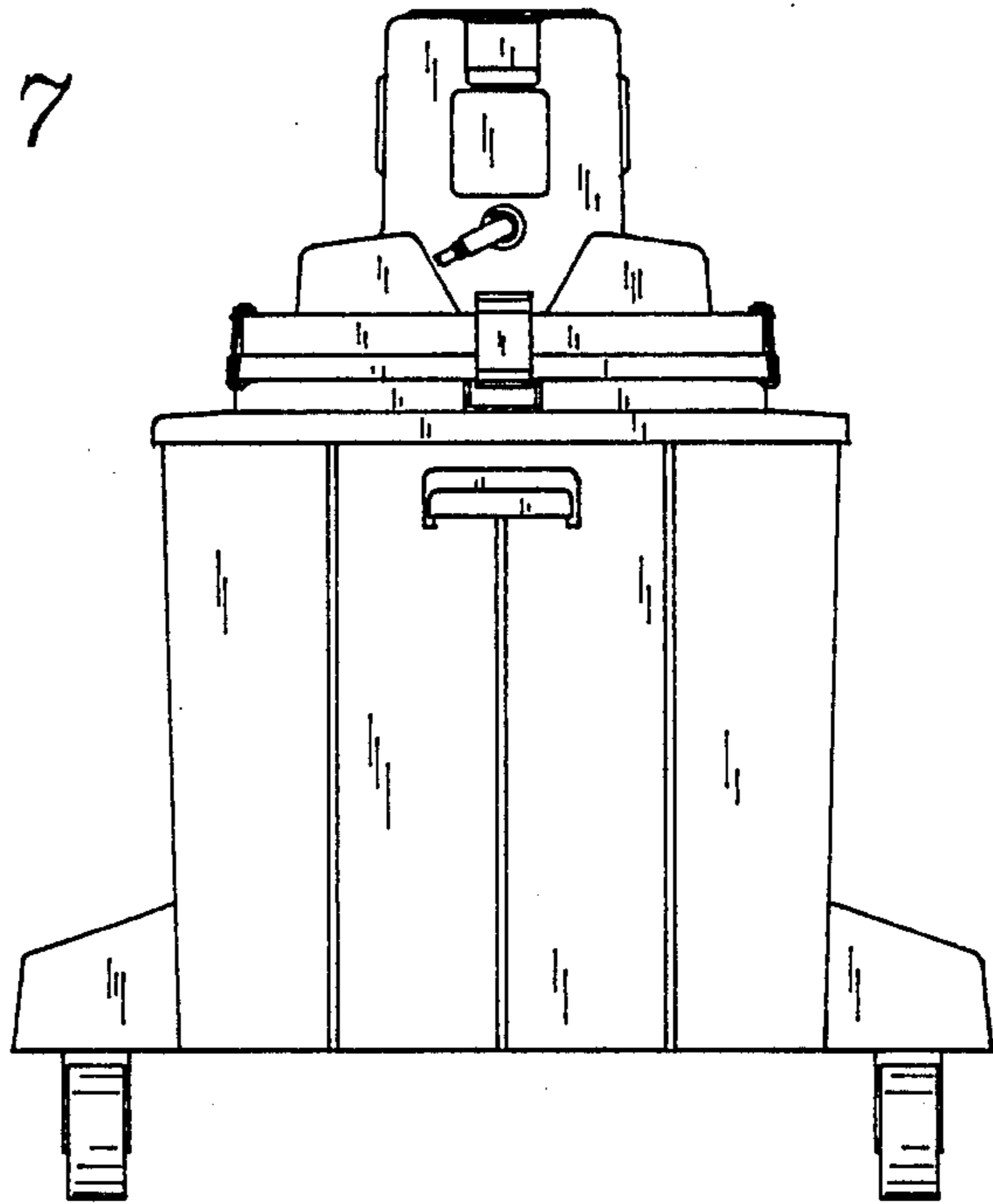


FIG. 8

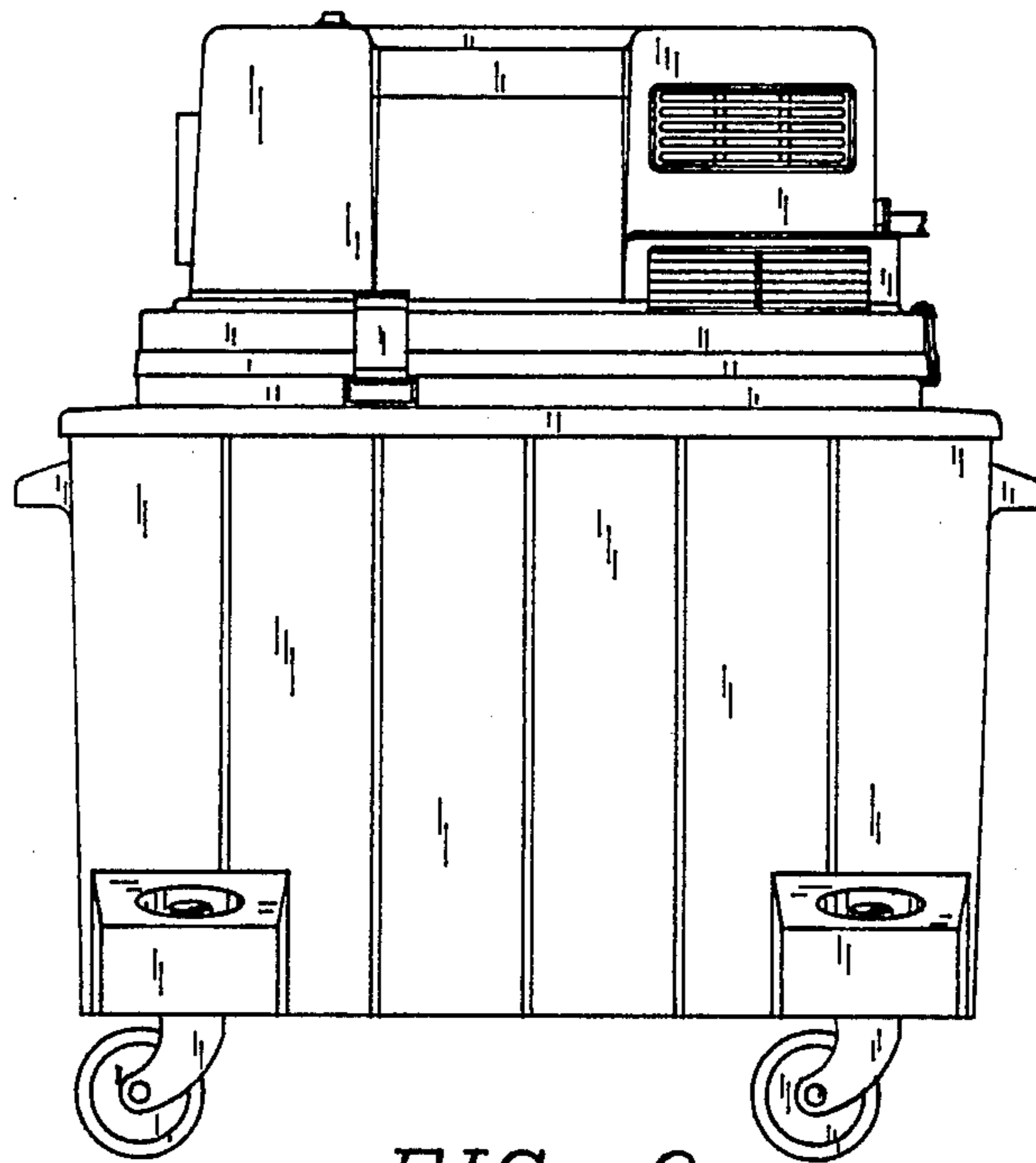


FIG. 9

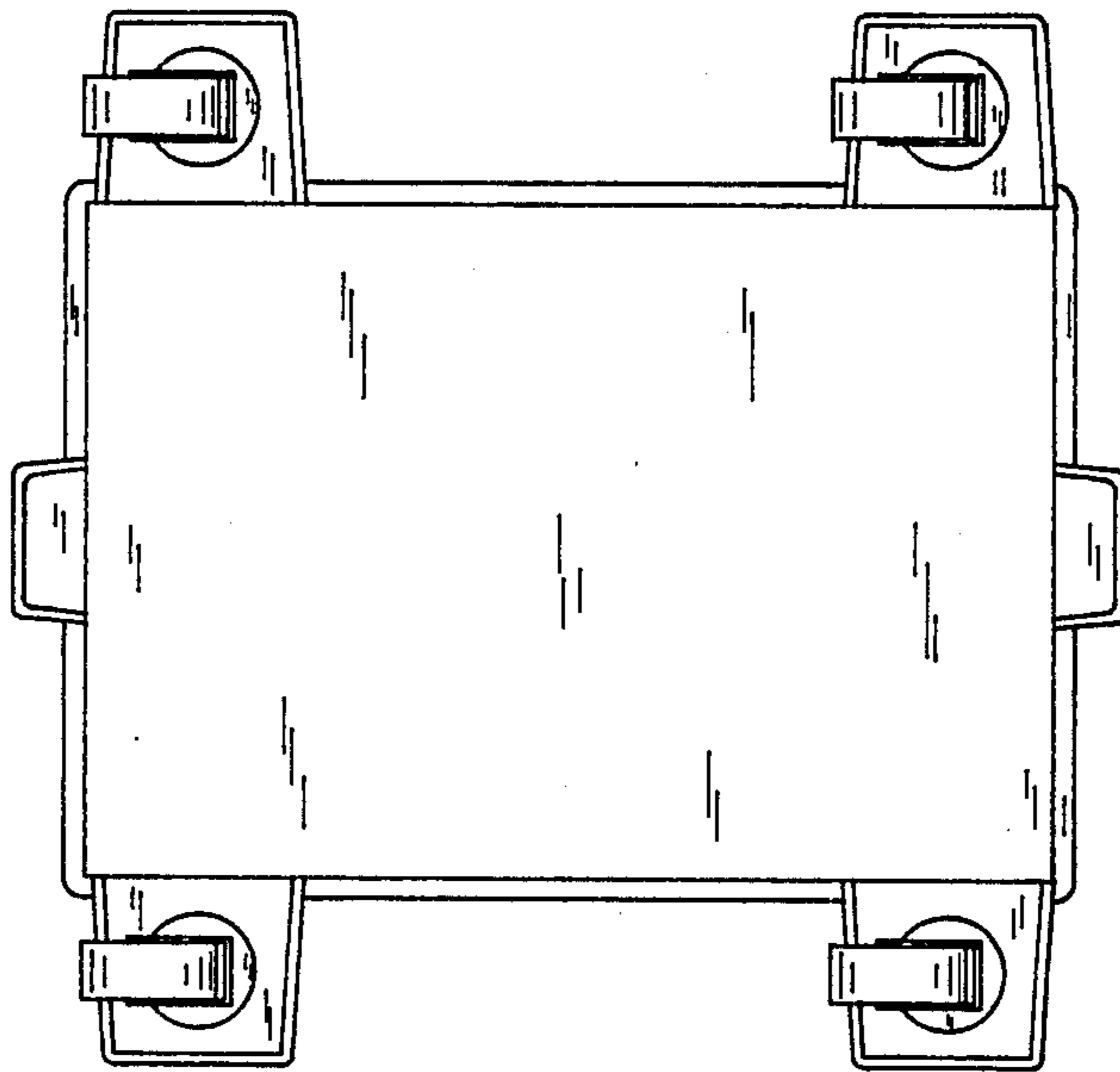


FIG. 10