

[54] HAND HELD VACUUM CLEANER

- [75] Inventors: H. Charles Hassel, Los Angeles, Calif.; Clifford Ghetti, Belvidere, N.J.
- [73] Assignee: MicroComputer Accessories Inc., Los Angeles, Calif.
- [**] Term: 14 Years
- [21] Appl. No.: 103,506
- [22] Filed: Oct. 1, 1987
- [52] U.S. Cl. D32/18
- [58] Field of Search D32/17, 18, 21, 22; 15/329, 344, 350, 351

OTHER PUBLICATIONS

Copy of partial package, Company Unknown, Address Unknown, No date on copy.
 Catalog Page, Company Unknown, Address Unknown, Publication Date Unknown.
 Metro, Address Unknown, Publication Date Unknown.
 Page 54, Varco Computer Supplies, 121 N. 9th St., Dekalb, IL 60115, Publication Date Unknown.
 Page 57, Moore Catalog, P.O. Box 20, Wheeling, IL 60090, Winter, 1986.

Primary Examiner—Bruce W. Dunkins
Assistant Examiner—Ruth Takemoto
Attorney, Agent, or Firm—Richard B. O’Planick

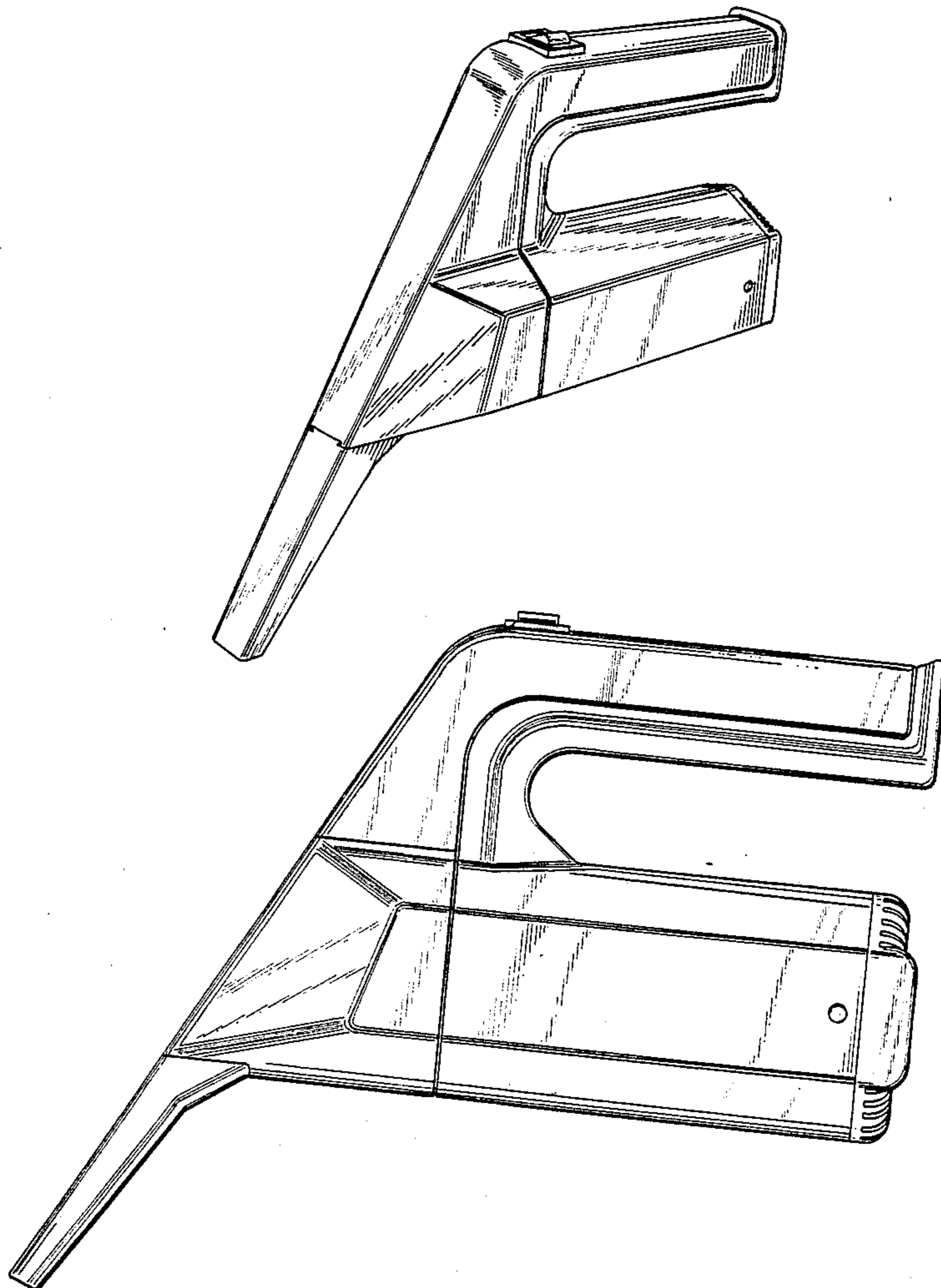
CLAIM

[57] The ornamental design for a hand held vacuum cleaner, as shown and described.

DESCRIPTION

FIG. 1 is a front perspective view of a hand held vacuum cleaner showing our new design.
 FIG. 2 is a side elevational view thereof;
 FIG. 3 is a front elevational view thereof;
 FIG. 4 is a rear elevational view thereof;
 FIG. 5 is a bottom plan view thereof; and
 FIG. 6 is a top plan view thereof.

- [56] **References Cited**
U.S. PATENT DOCUMENTS
- | | | | | |
|------------|---------|--------------|-------|--------|
| D. 211,751 | 7/1968 | Richards | | D32/18 |
| D. 274,150 | 6/1984 | Hoesch | | D32/18 |
| D. 291,376 | 8/1987 | Hetherington | | D32/18 |
| D. 298,874 | 12/1988 | Nakamura | | D32/18 |
| 3,872,539 | 3/1975 | Doyel | | 15/344 |



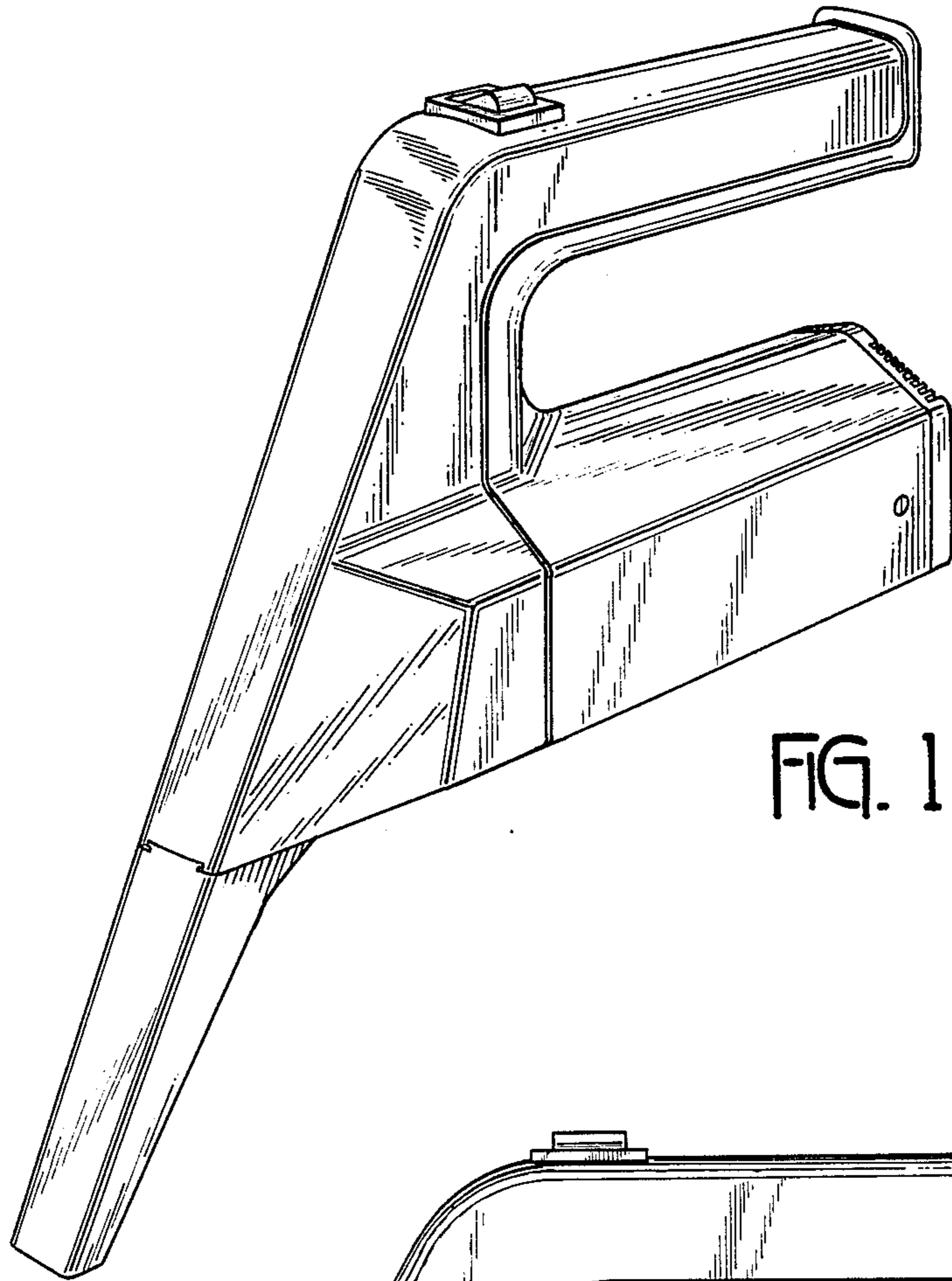


FIG. 1

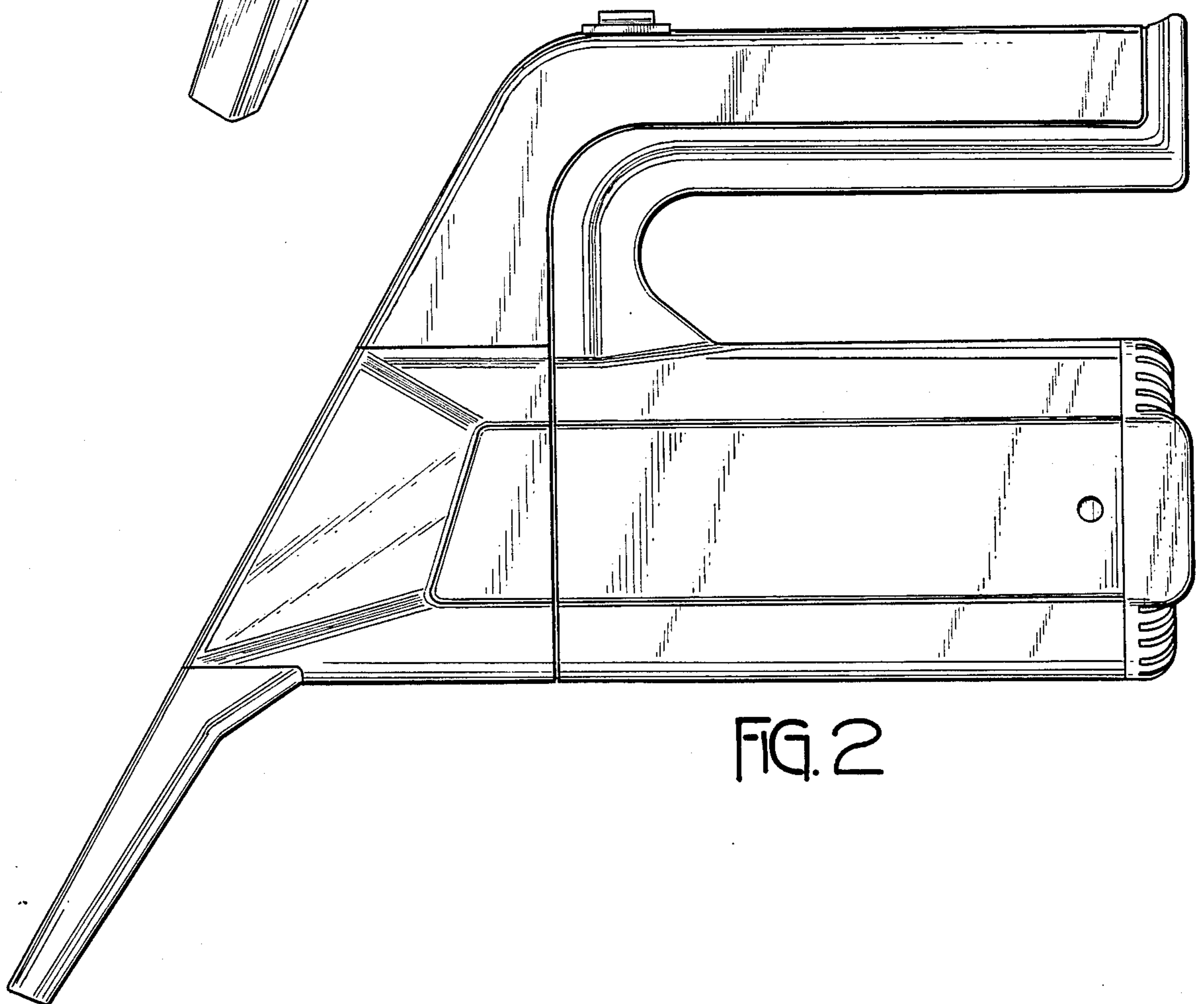


FIG. 2

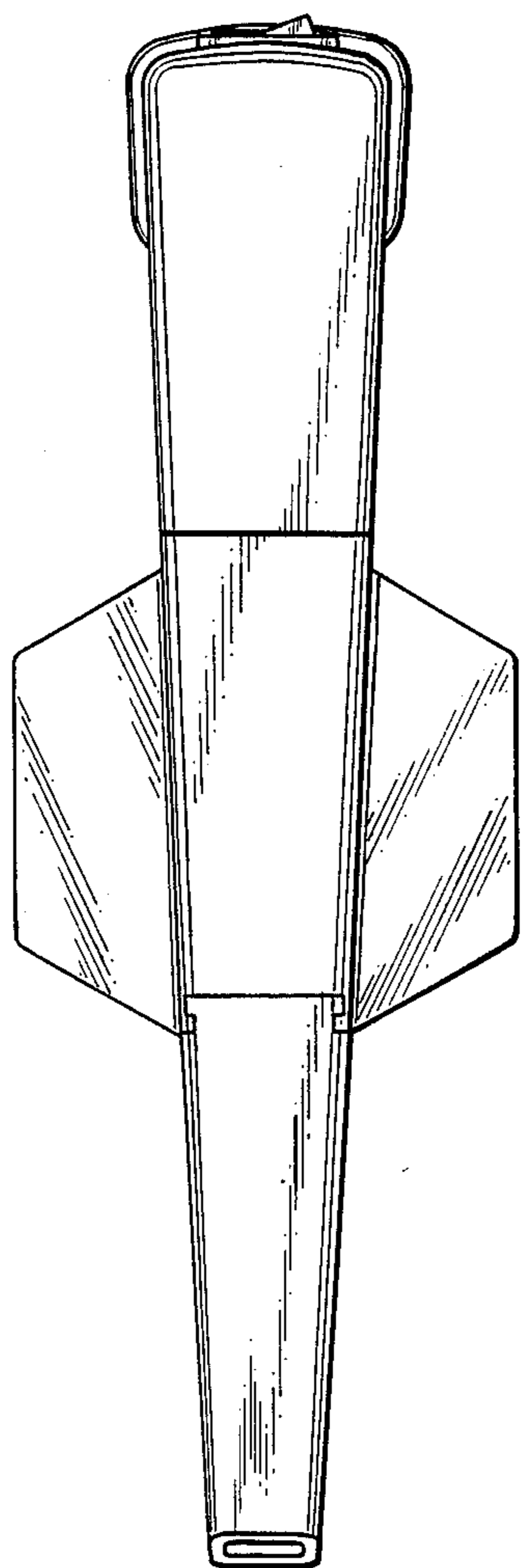


FIG. 3

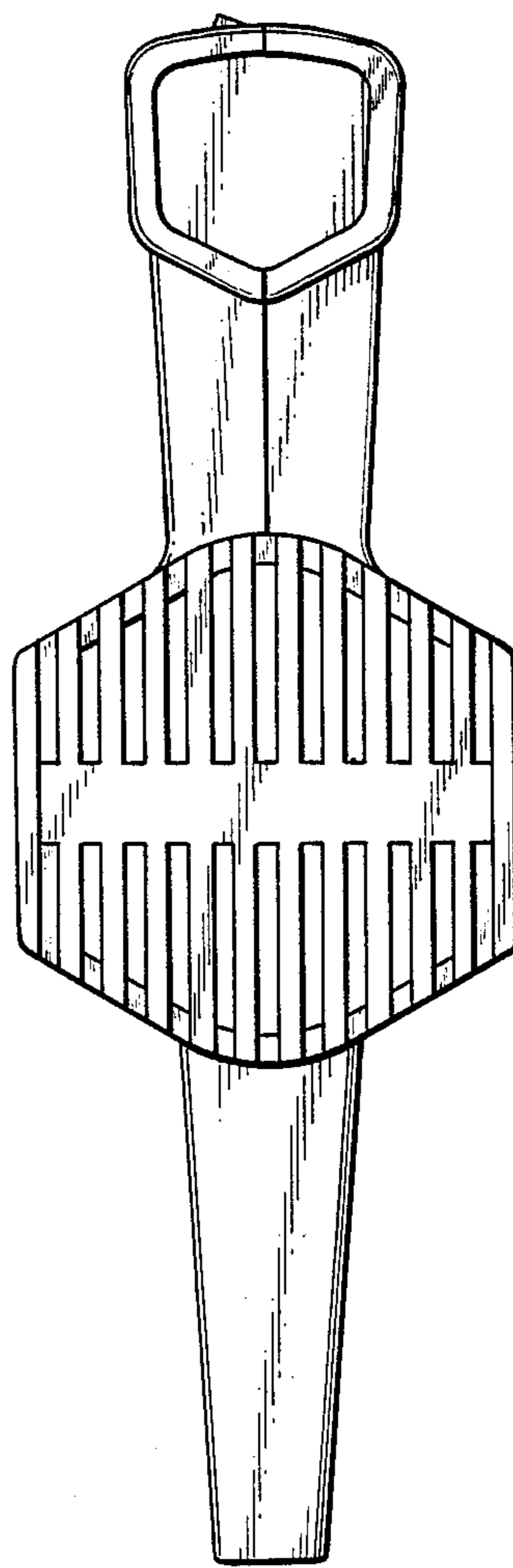


FIG. 4

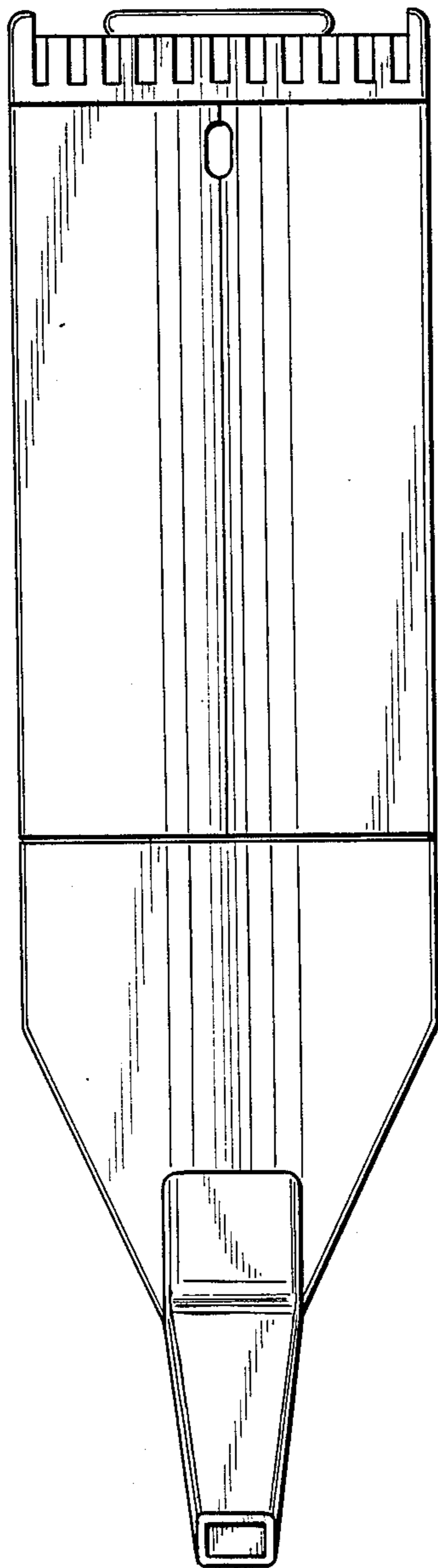


FIG. 5

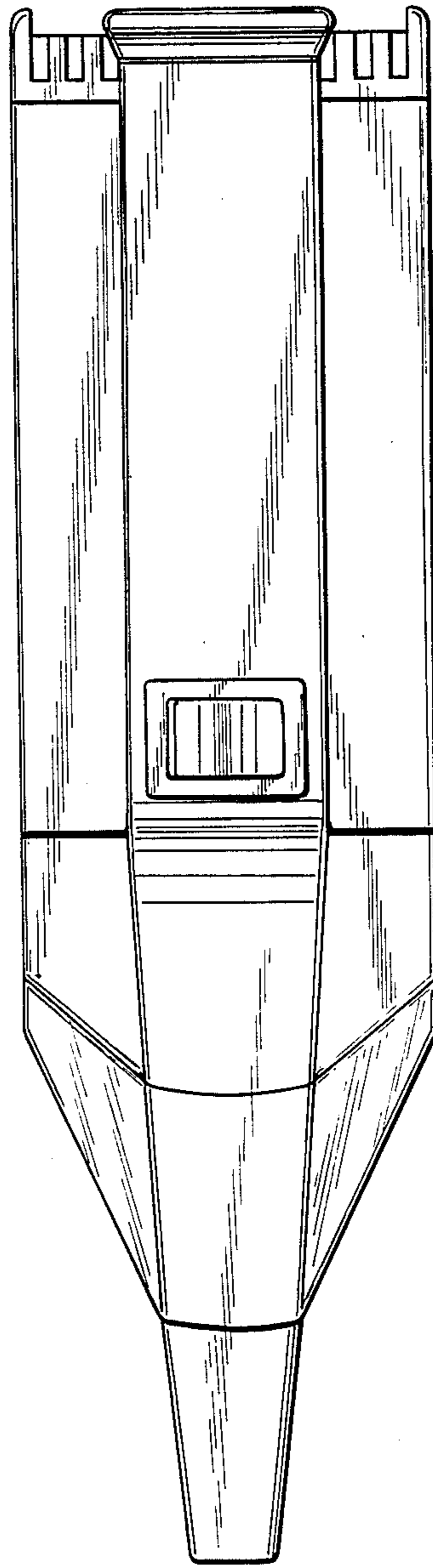


FIG. 6