

[54] VACUUM CLEANER WITH ADJUSTABLE HANDLE

[75] Inventor: John S. Yuen, Kowloon, Hong Kong

[73] Assignee: John Manufacturing Limited, Kowloon, Hong Kong

[**] Term: 14 Years

[21] Appl. No.: 84,109

[22] Filed: Aug. 12, 1987

[30] Foreign Application Priority Data

Mar. 30, 1987 [GB] United Kingdom 1 041 128

[52] U.S. Cl. D32/18

[58] Field of Search D32/17, 18, 21, 22; 15/329, 344, 350, 351

[56] References Cited

U.S. PATENT DOCUMENTS

- D. 275,427 9/1984 Kishi et al. D32/18
- D. 279,513 7/1985 Rinaldi et al. D32/18
- D. 287,893 1/1987 Fujii et al. D32/18
- 4,682,384 7/1987 Prahl et al. 15/344

OTHER PUBLICATIONS

Consumer Reports, 1/1986, p. 21, "Douglass Readivac 6.0" lower rt. corner of pg.

Primary Examiner—Bruce W. Dunkins

Assistant Examiner—Ruth Takemoto

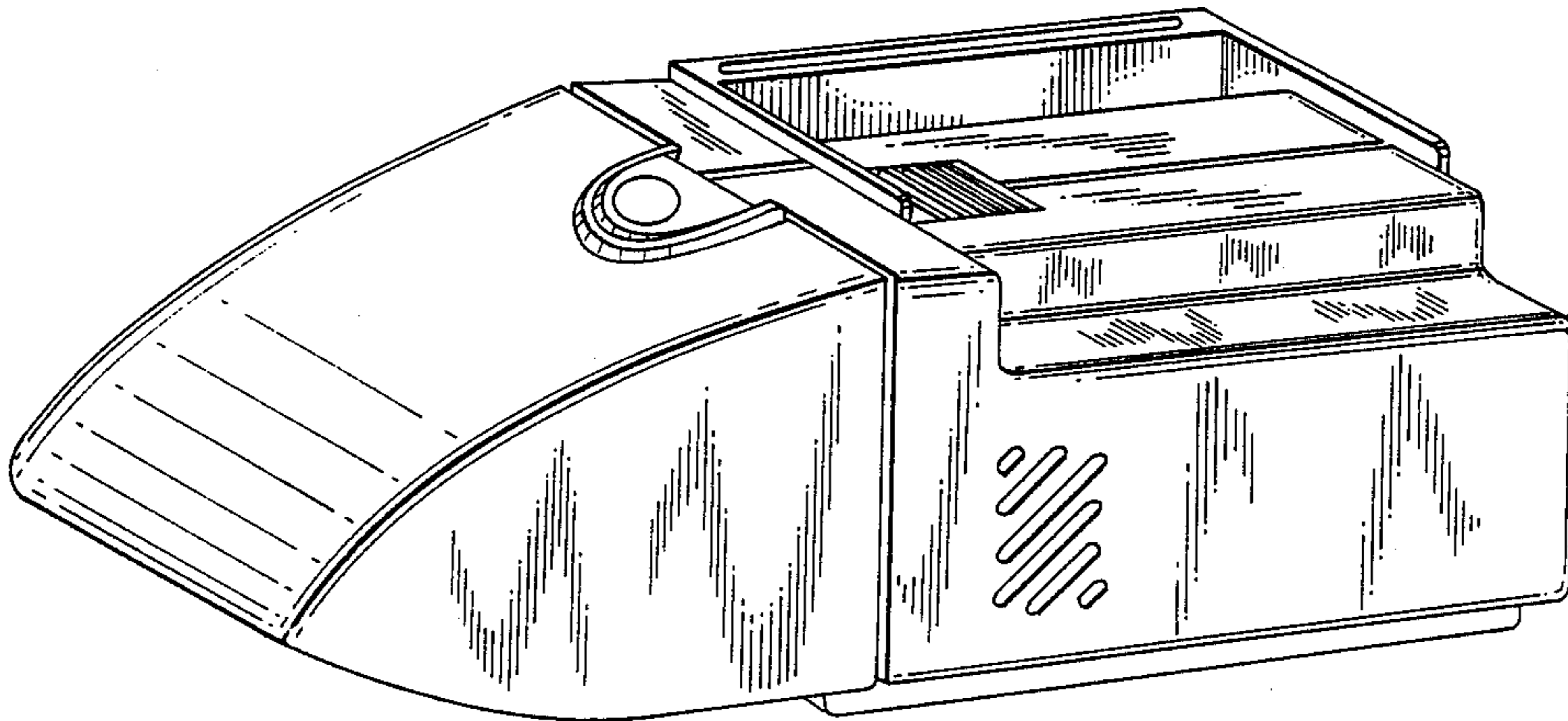
Attorney, Agent, or Firm—Fay, Sharpe, Beall, Fagan, Minnich & McKee

[57] CLAIM

The ornamental design for a vacuum cleaner with adjustable handle, as shown and described.

DESCRIPTION

FIG. 1 is a left side elevational view of a vacuum cleaner with adjustable handle showing my new design; FIG. 2 is a top plan view thereof; FIG. 3 is a right side elevational view thereof; FIG. 4 is a bottom plan view thereof; FIG. 5 is a front elevational view thereof; FIG. 6 is a rear elevational view thereof; FIG. 7 is a rear elevational view thereof with the handle in a raised position; and FIG. 8 is a perspective view thereof as seen from the top front and one side.



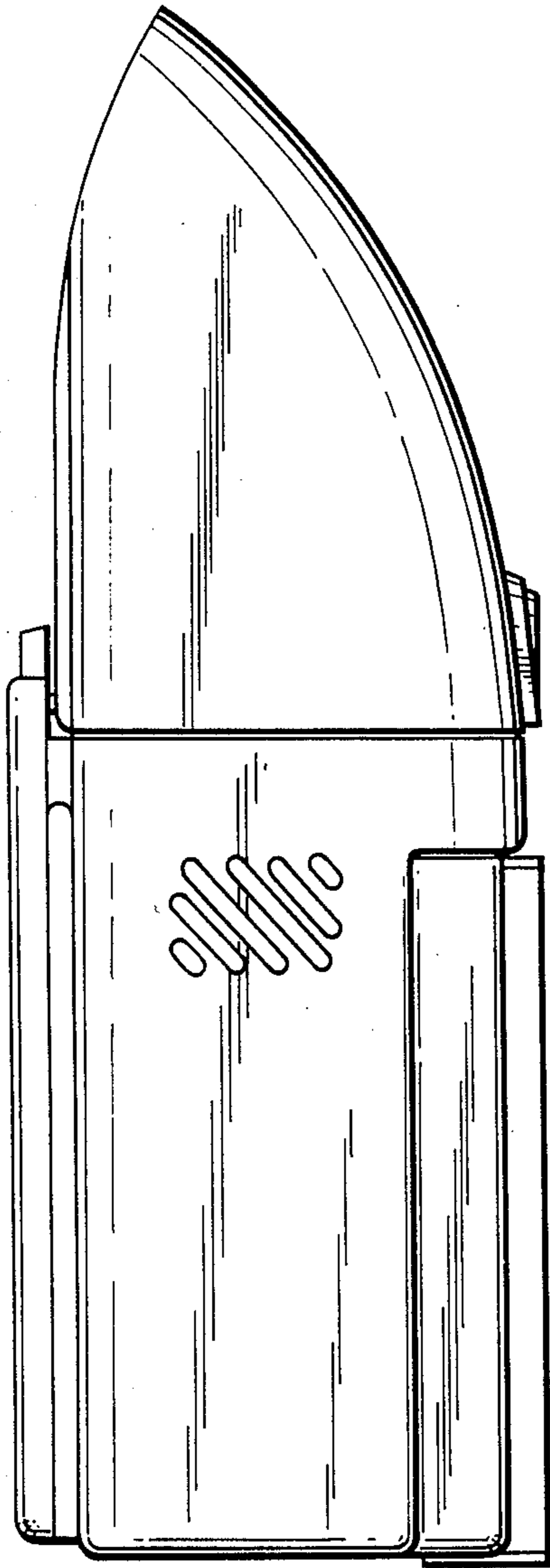


FIG. 1.

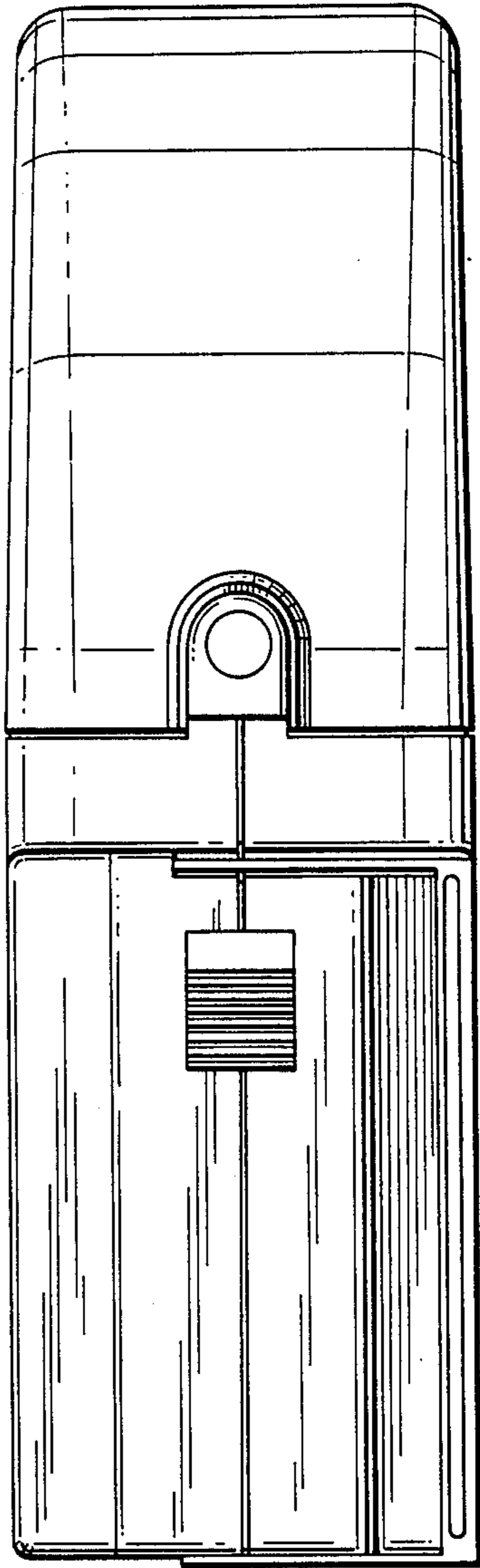


FIG. 2.

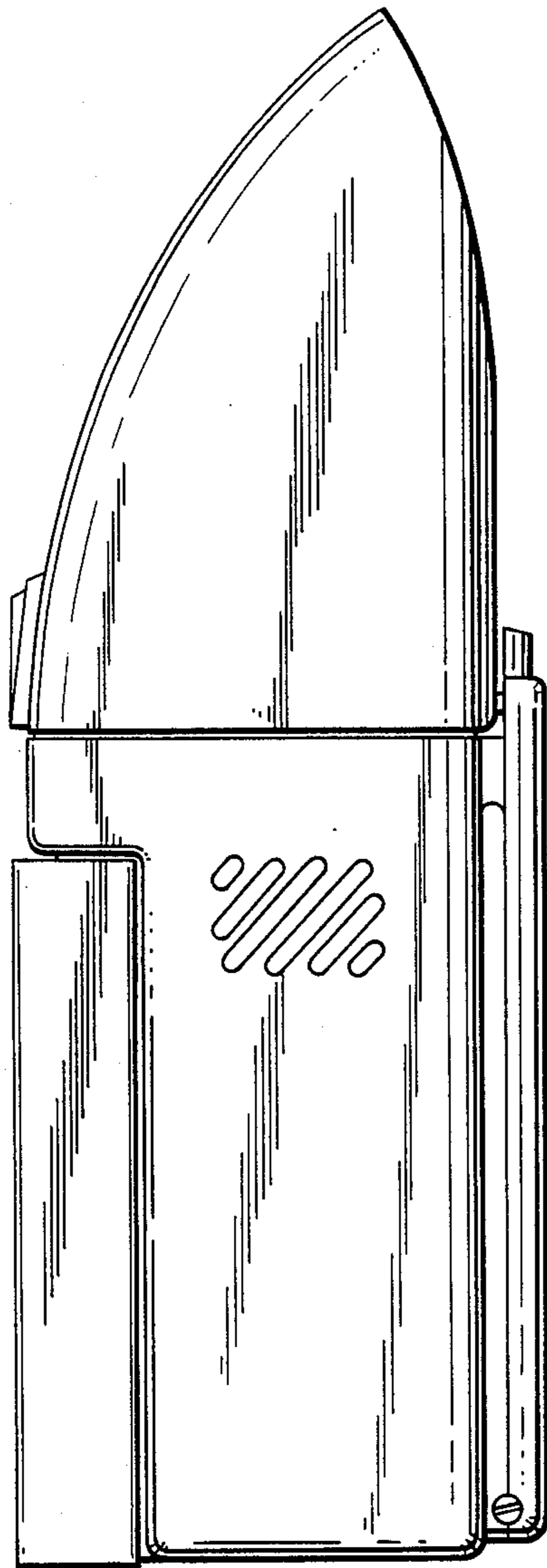


FIG. 3.

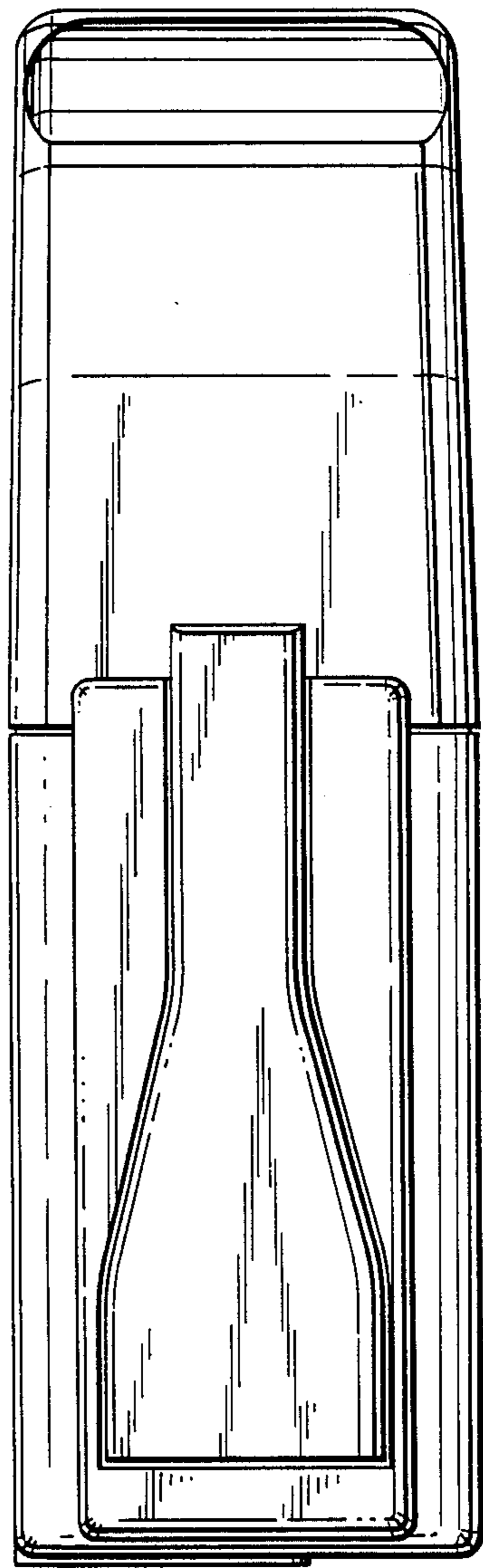


FIG. 4.

FIG. 5.

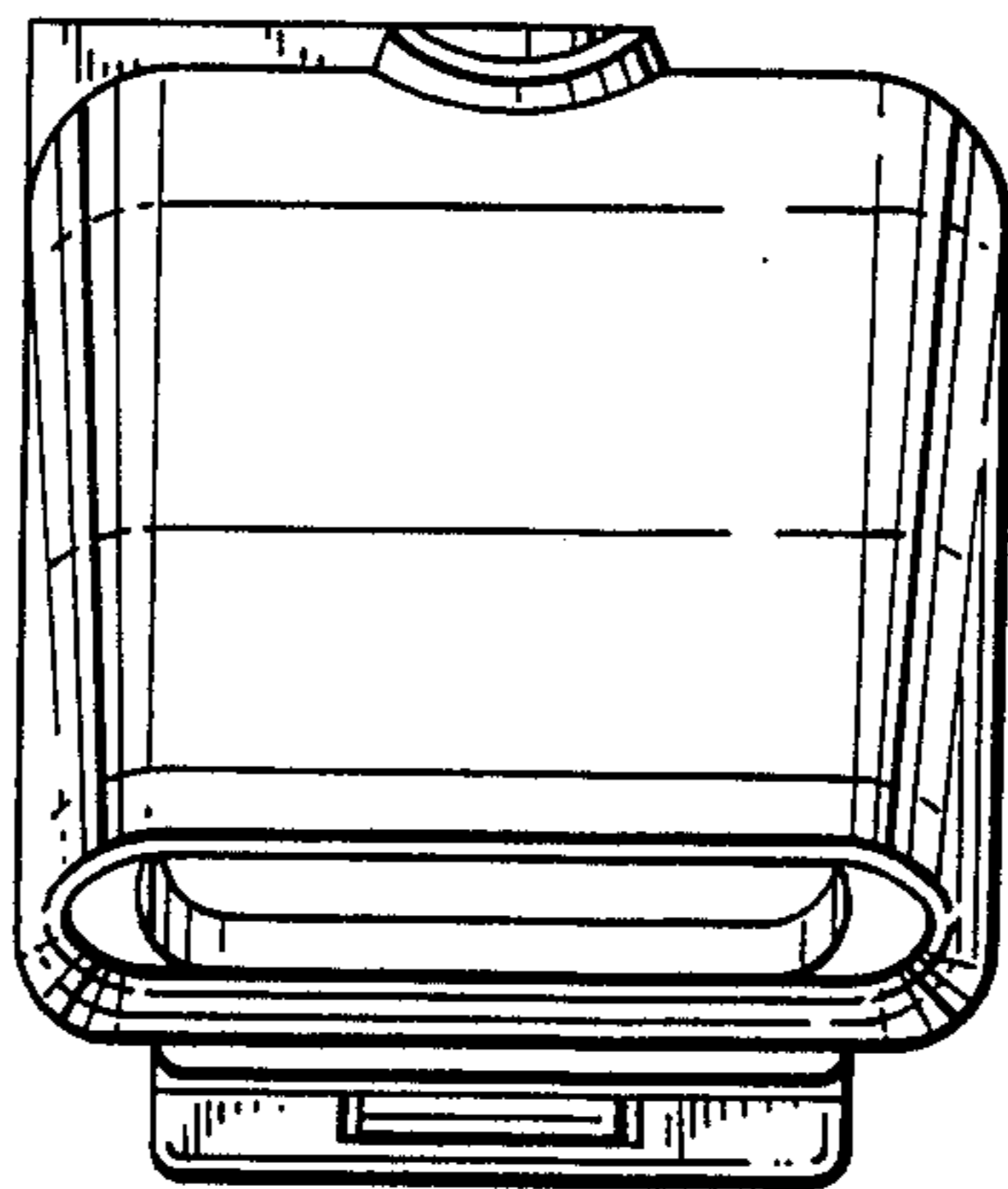
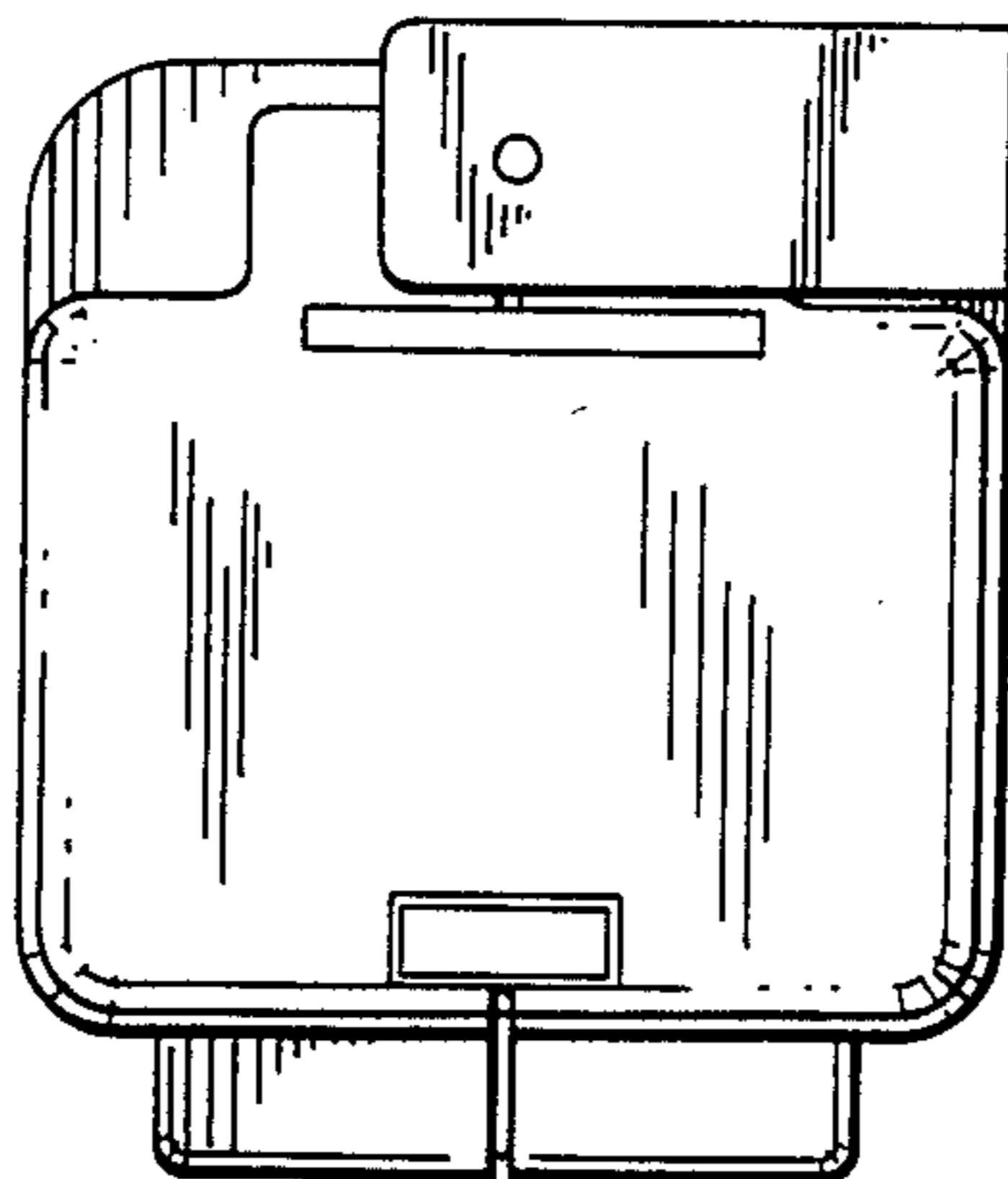


FIG. 6.



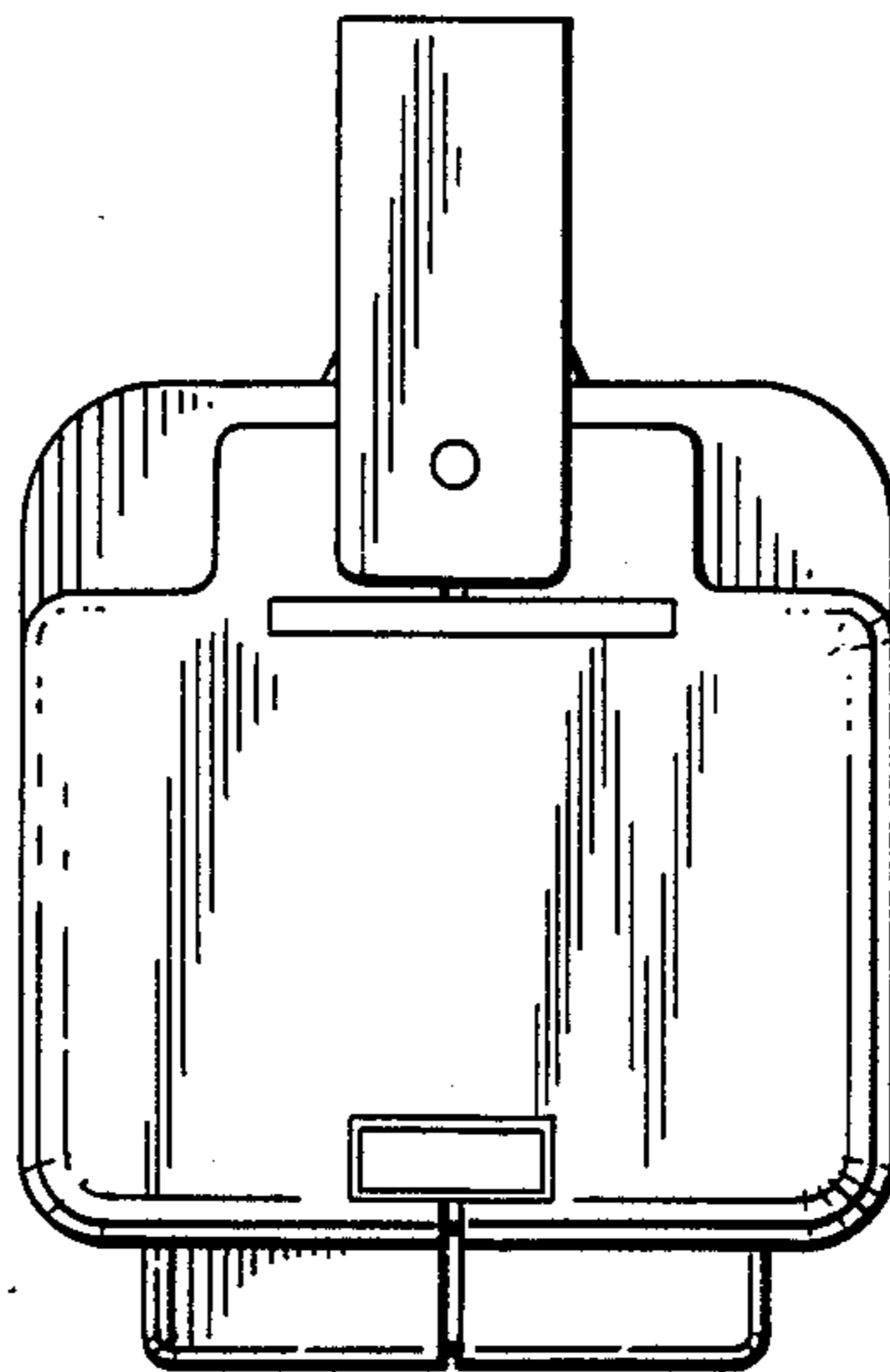


FIG. 7.

FIG. 8

