

[54] **PHARMACEUTICAL TABLET**

[75] **Inventor:** Geoffrey D. Tovey, Harpenden, England
[73] **Assignee:** Smith Kline & French Laboratories, Ltd., Welwyn Garden City, England

[*] **Notice:** The portion of the term of this patent subsequent to Aug. 29, 2003 has been disclaimed.

[**] **Term:** 14 Years

[21] **Appl. No.:** 28,626

[22] **Filed:** Mar. 20, 1987

[30] **Foreign Application Priority Data**

Sep. 26, 1986 [GB] United Kingdom 1037014
[52] **U.S. Cl.** D28/2; D28/8.1
[58] **Field of Search** D28/1, 2, 3, 8.1, 8.2;
424/464, 465, 466, 467, 468, 472, 473, 474;
426/97, 98; 252/92; D1/100, 106, 112, 121, 127,
128, 129, 199

[56] **References Cited**

U.S. PATENT DOCUMENTS

4,258,027 3/1981 Ullman et al. 424/467

FOREIGN PATENT DOCUMENTS

70720 1/1983 European Pat. Off. 424/467

OTHER PUBLICATIONS

PDR 34th Edition (1980), p. 17, Product Identification, McNeil Grifulvin V® (top left).

Primary Examiner—Wallace R. Burke

Assistant Examiner—Kay H. Chin

Attorney, Agent, or Firm—Joseph A. Marlino; Stuart R. Suter; Alan D. Lourie

[57] **CLAIM**

The ornamental design for a pharmaceutical tablet, as shown and described.

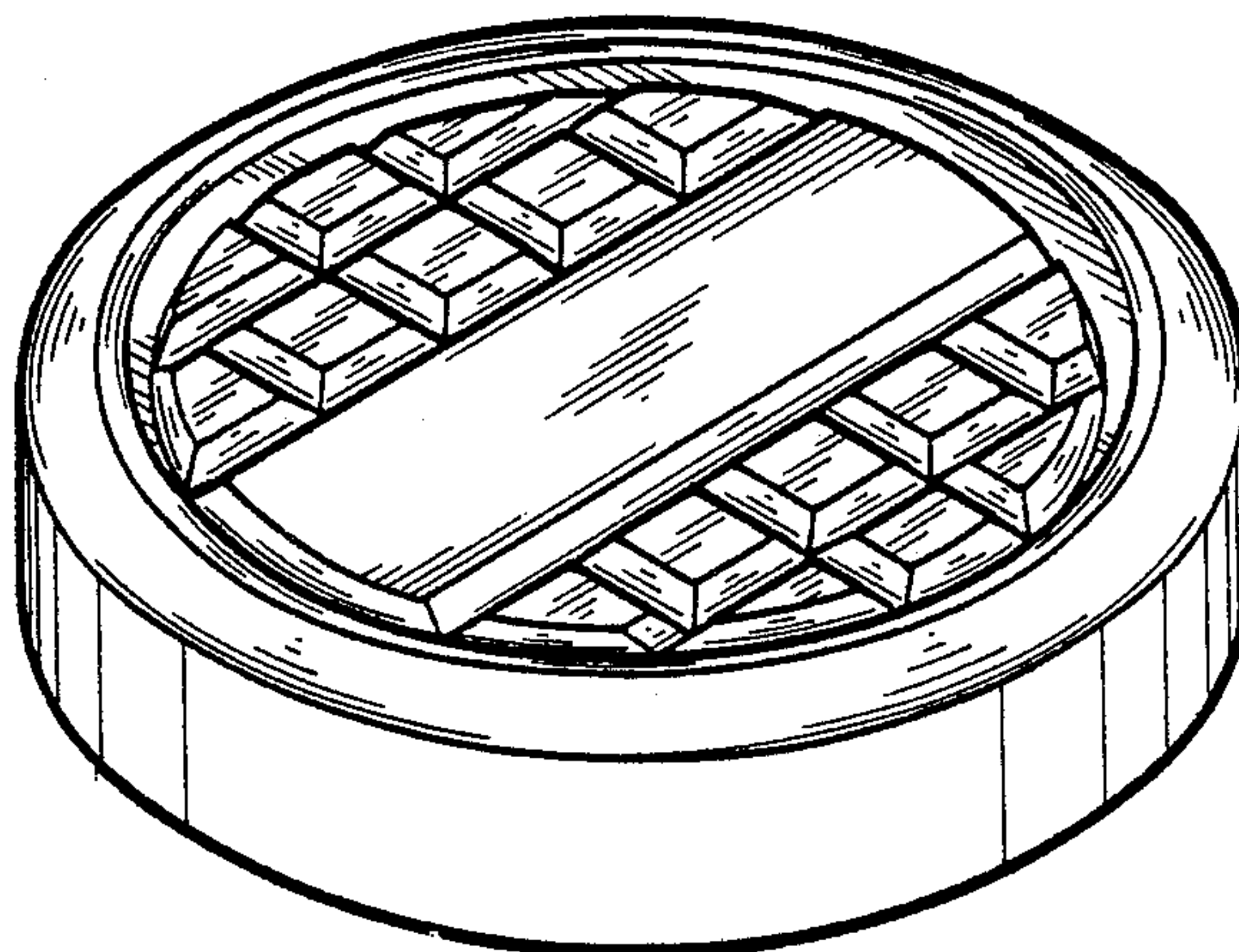
DESCRIPTION

FIG. 1 is a top perspective view of a pharmaceutical tablet showing my design.

FIG. 2 is a rear elevation view thereof, the opposite view being the same as that shown.

FIG. 3 is a top plan view thereof, the bottom view being the same as that shown.

FIG. 4 is a side elevation view thereof, the opposite side being the same as that shown.



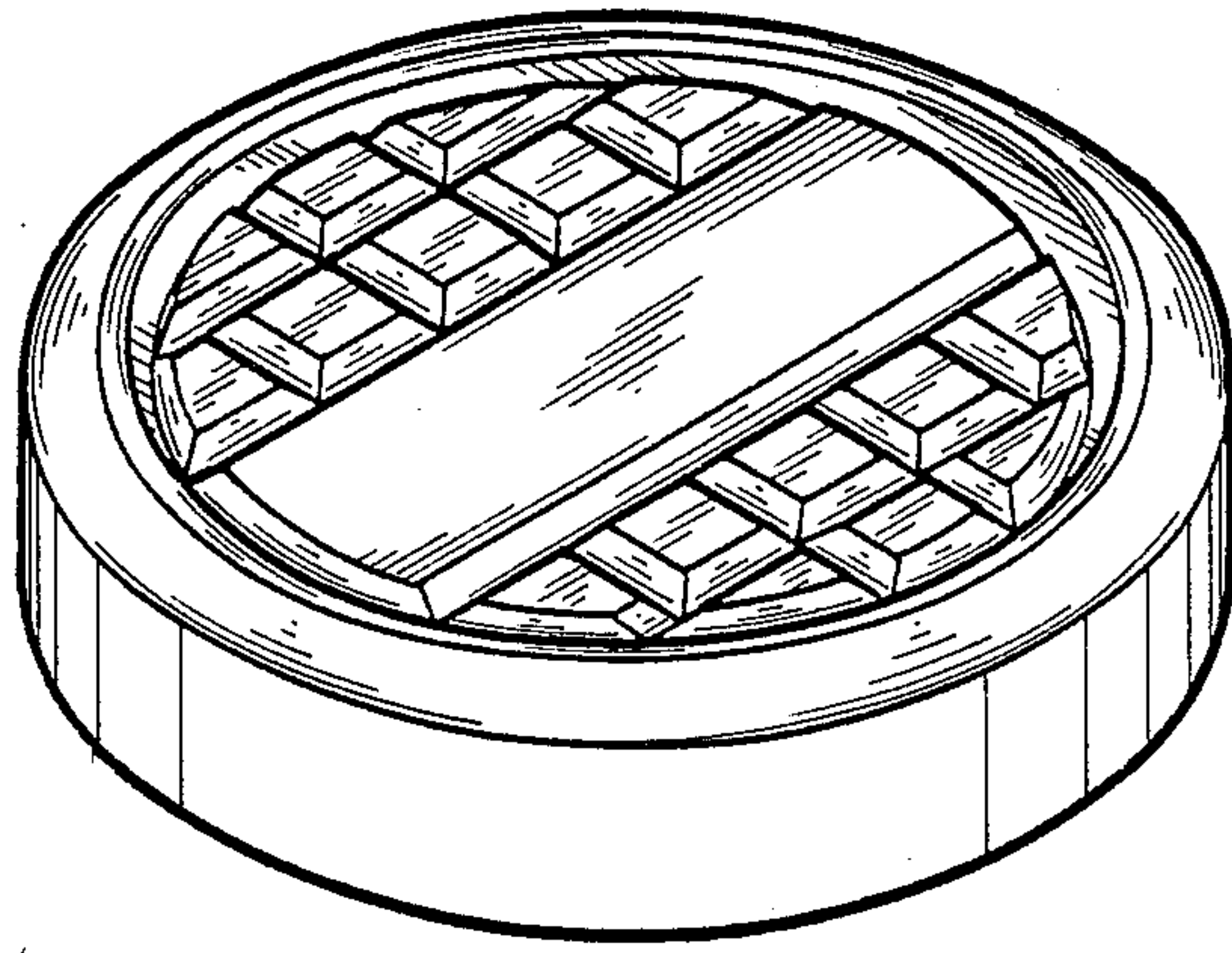


Fig. 1

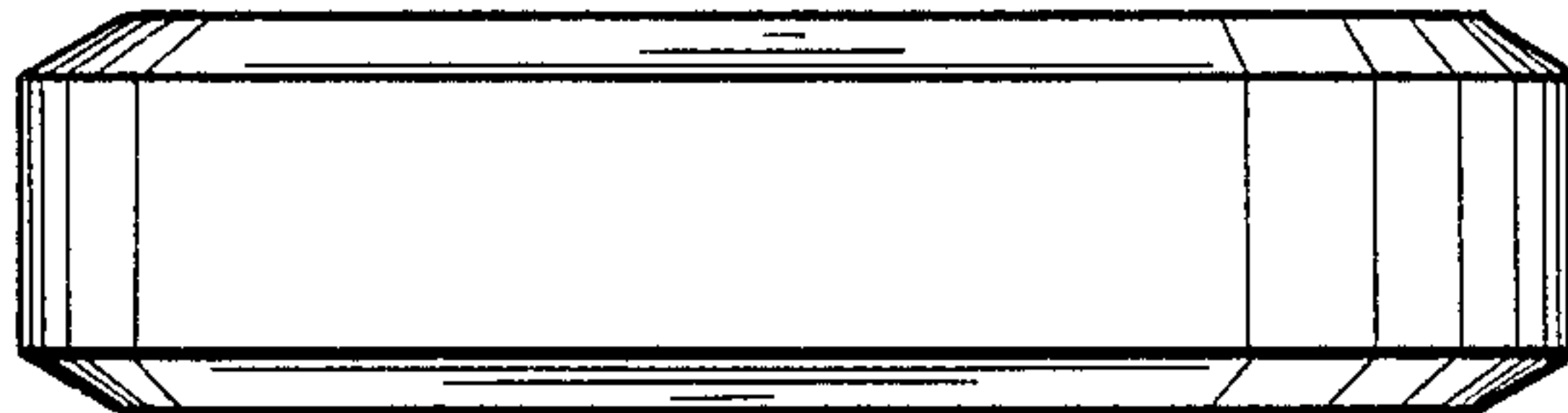


Fig. 2

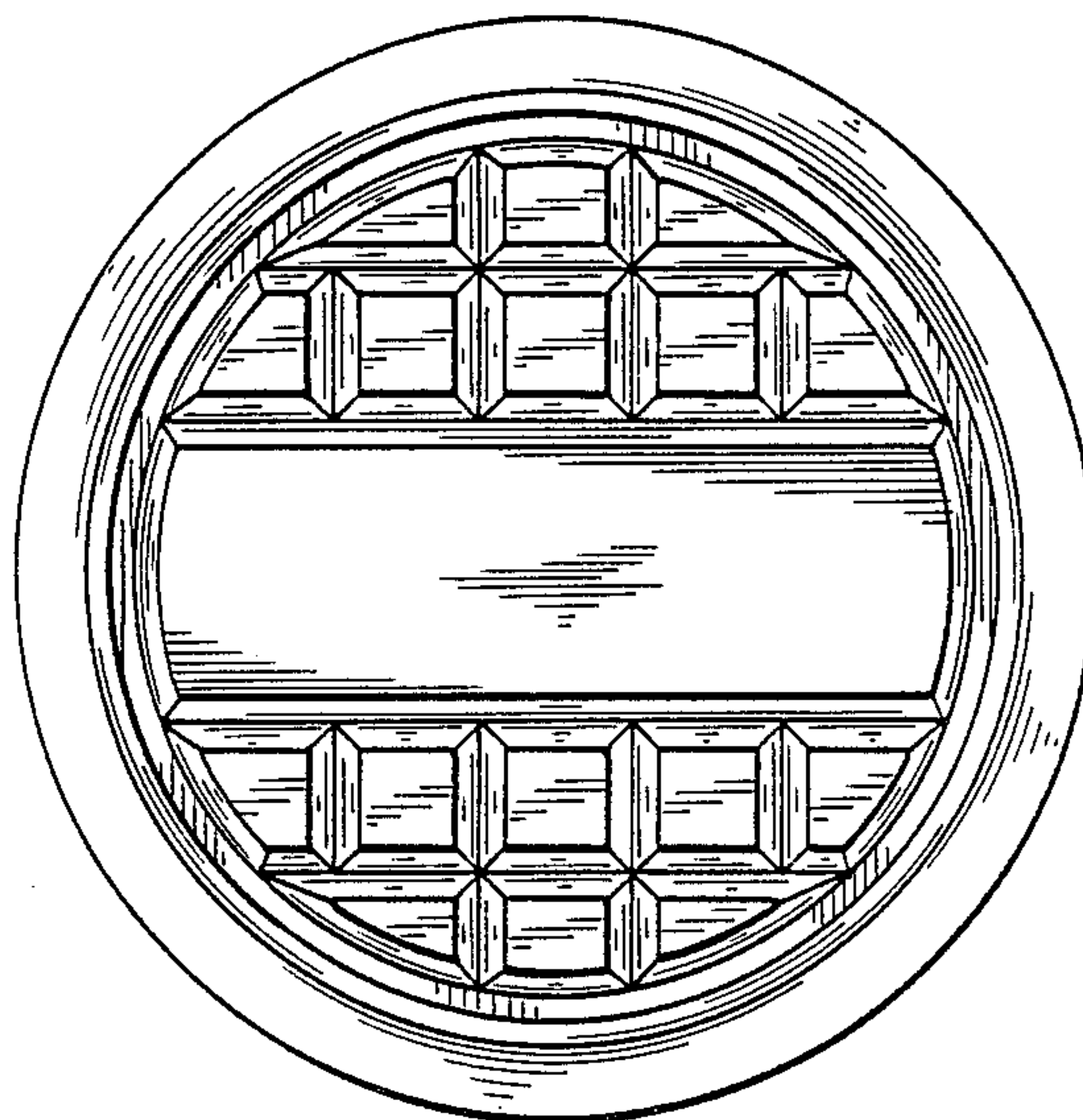


Fig. 3

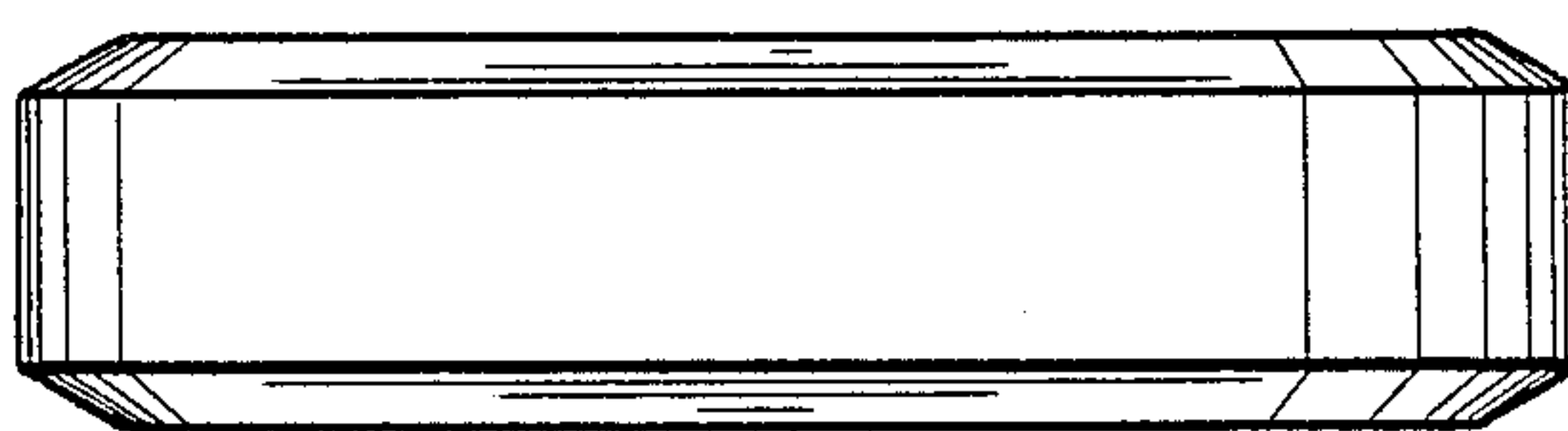


Fig. 4