

[54] FOOT BATH

[76] Inventor: Arthur E. Chambers, 21421 N. Seventh Avenue, Phoenix, Ariz. 85027

[**] Term: 14 Years

[21] Appl. No.: 49,416

[22] Filed: May 14, 1987

[52] U.S. Cl. D24/38

[58] Field of Search D24/38; 128/66, 65, 128/51, 52 R, 24.1, 24 R, 370, 25 B; 4/574, 622; 604/290, 293

[56] References Cited

U.S. PATENT DOCUMENTS

D. 197,948 4/1964 Barker D24/38

D. 247,511 3/1978 Lee et al. D24/38
4,047,522 9/1977 Plugge 128/66
4,184,488 1/1980 Bielich 128/66
4,497,313 2/1985 Kurosawa 128/66 X
4,620,529 11/1986 Kurosawa 128/66

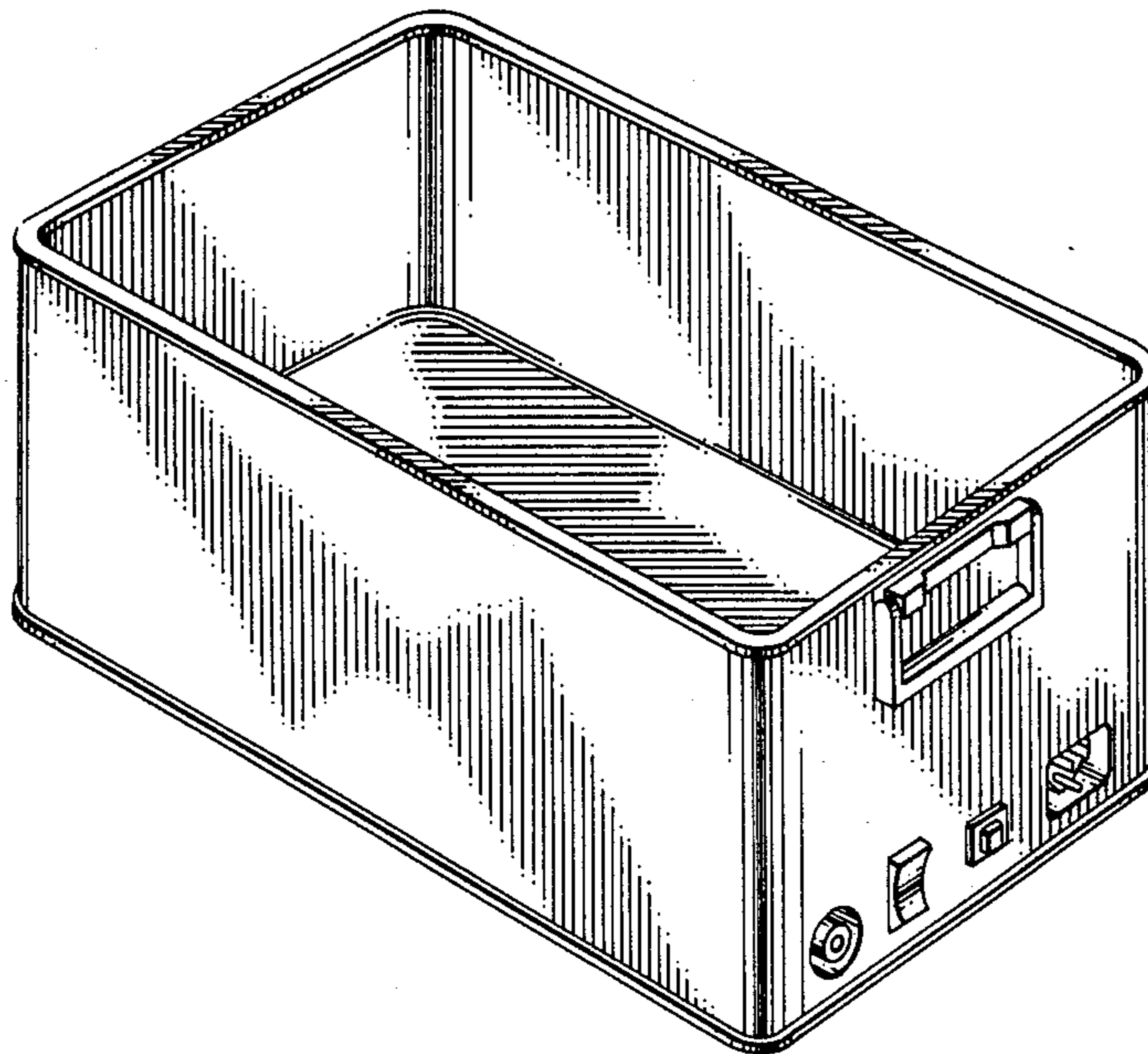
Primary Examiner—Wallace R. Burke
Assistant Examiner—Stella M. Reid
Attorney, Agent, or Firm—Warren F. B. Lindsley

[57] CLAIM

The ornamental design for a foot bath, as shown and described.

DESCRIPTION

FIG. 1 is a top, front and right perspective view of a foot bath, showing my new design;
FIG. 2 is a right side elevational view thereof;
FIG. 3 is a left end elevational view thereof; and
FIG. 4 is a top plan view thereof.



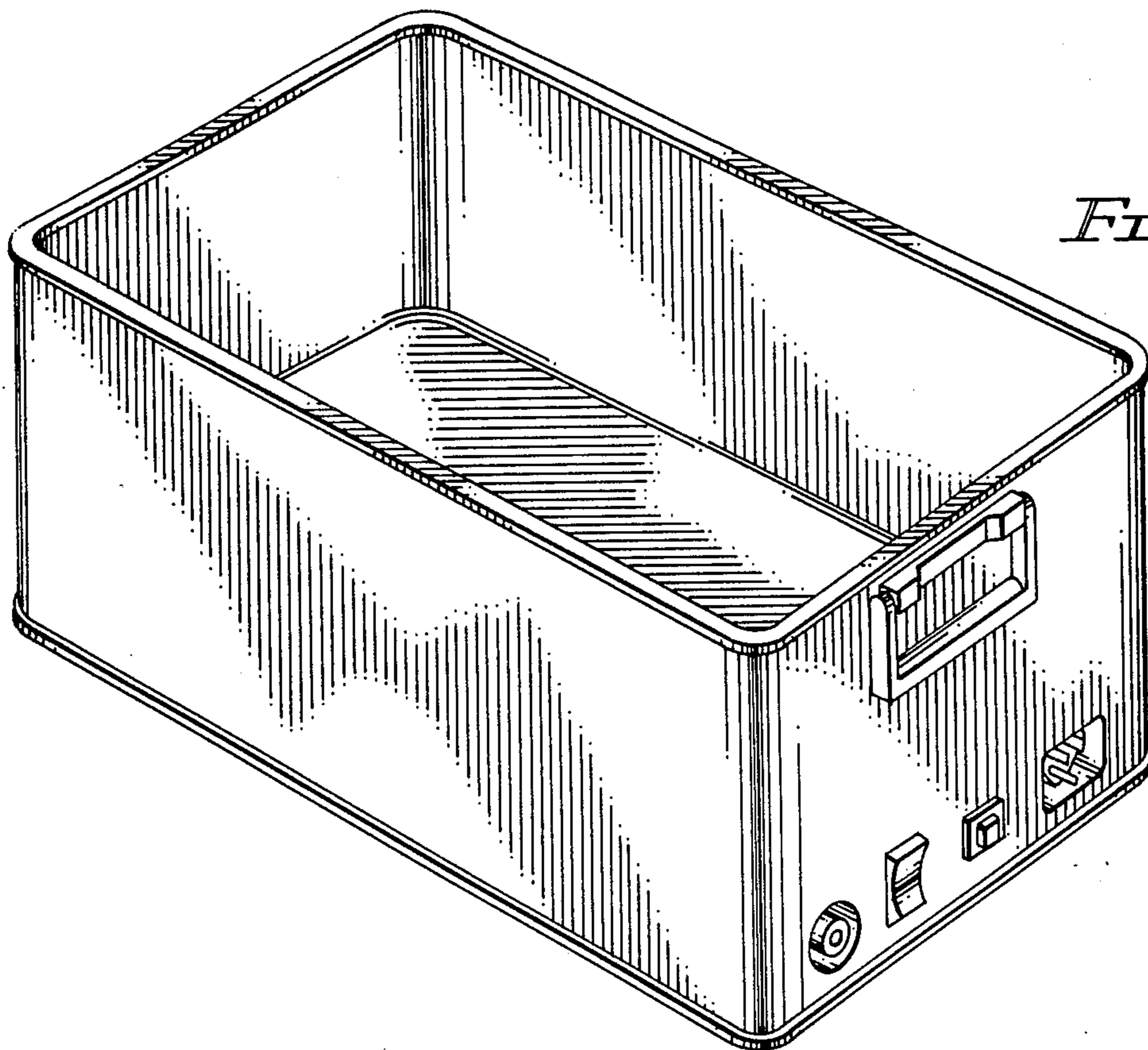


FIG. 1

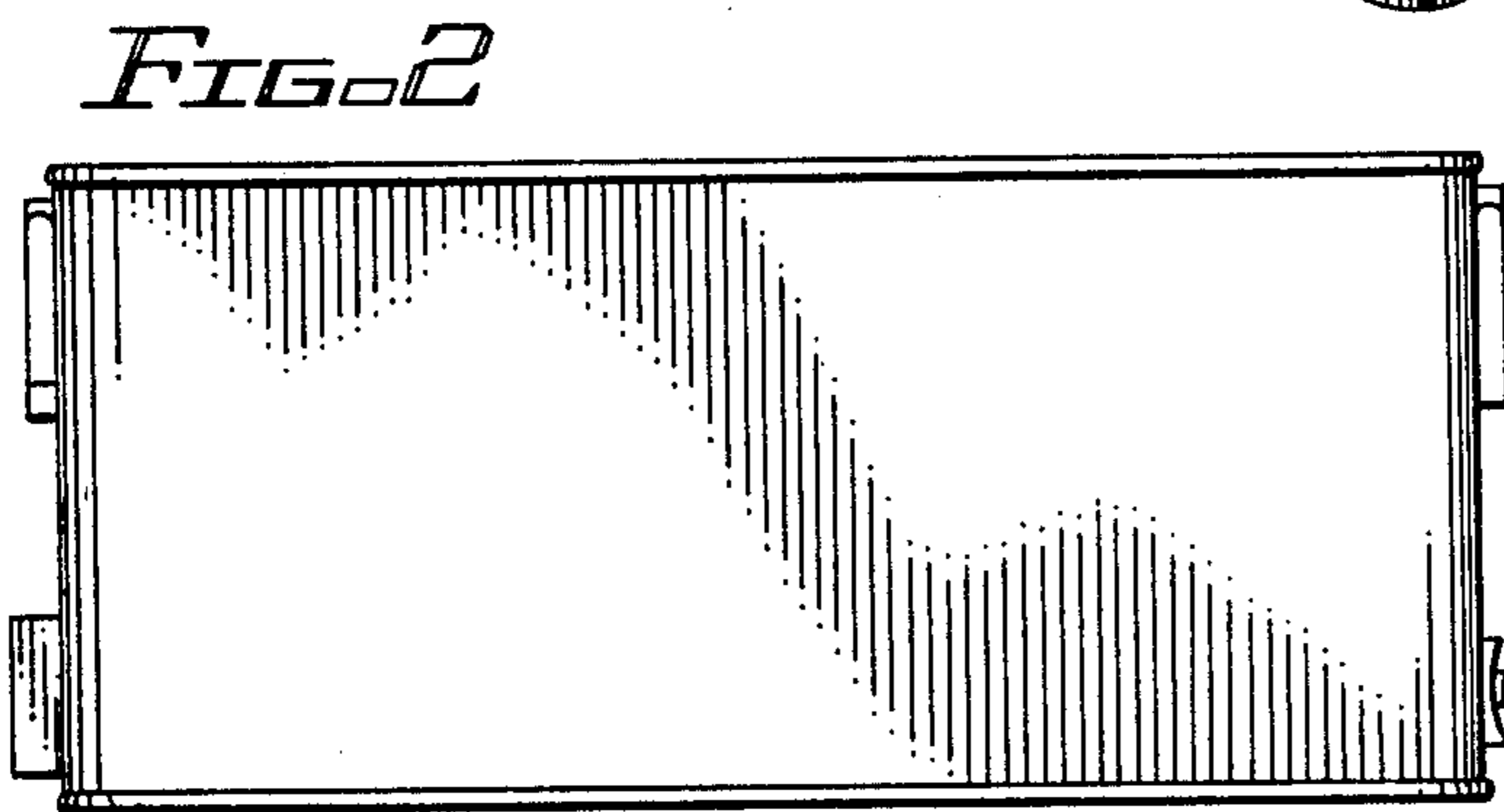


FIG. 2

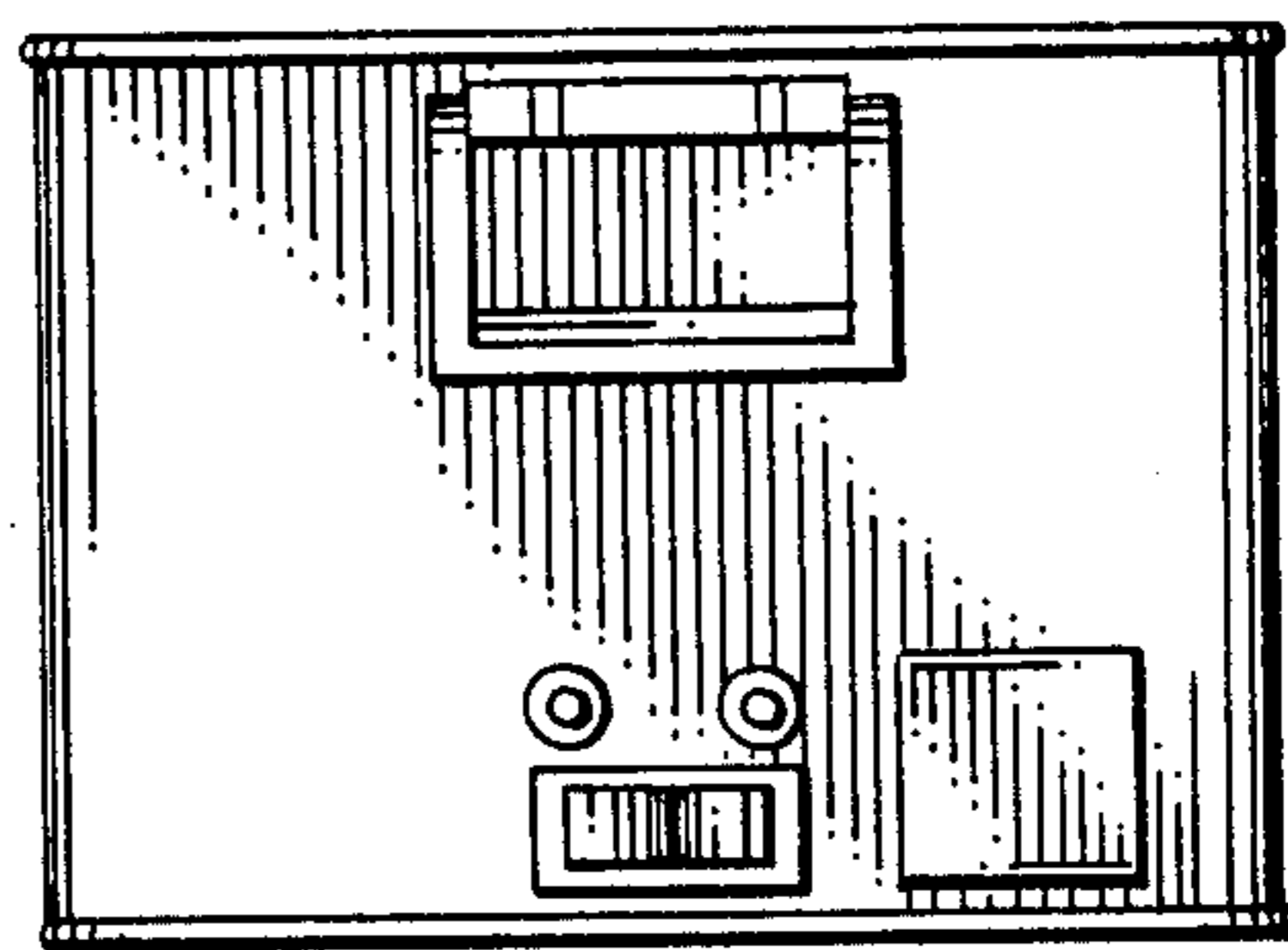


FIG. 3

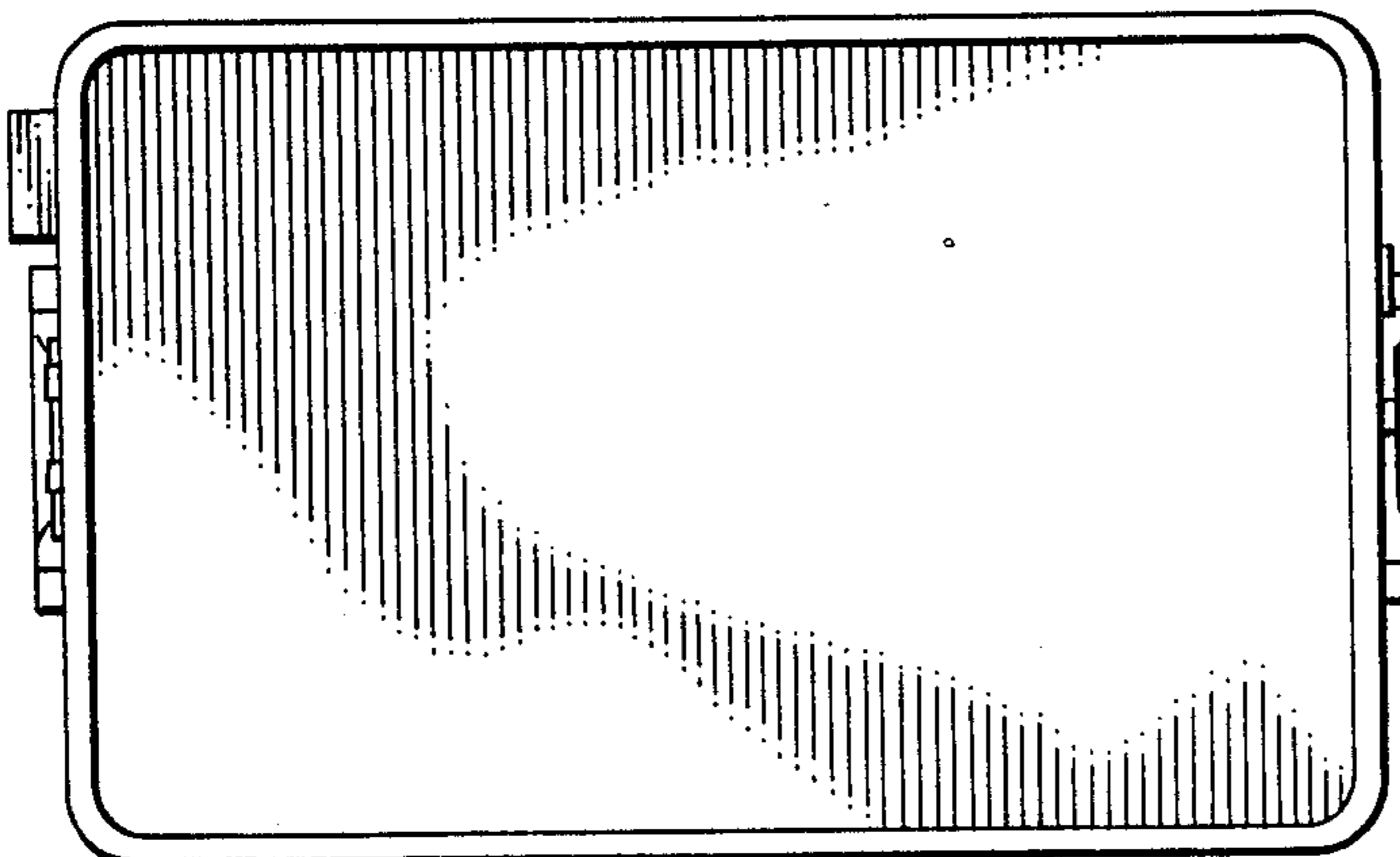


FIG. 4