

[54] HOUSING FOR AN AUTOMATED BLOOD PRESSURE AND OTHER VITAL SIGNS MONITORING DEVICE

4,397,317 8/1983 Villa-Real 128/680
4,796,184 1/1989 Bahr et al. 128/681 X

[75] Inventors: Maynard Ramsey, III; James Muskatello, both of Tampa, Fla.; Arthur Burton, Califon, N.J.; Kenneth Alexander, Palm Harbor; John George, Clearwater, both of Fla.

Primary Examiner—Wallace R. Burke
Assistant Examiner—Stella M. Reid

[73] Assignee: Critikon, Inc., Tampa, Fla.

[**] Term: 14 Years

[21] Appl. No.: 43,679

[22] Filed: Apr. 28, 1987

[52] U.S. Cl. D24/21; D24/17

[58] Field of Search D24/17, 21; 128/680, 128/681, 682, 683, 670, 556-669, 661, 662, 672, 677-679, 687, 689, 692, 709, 710, 712, 419 D, 419 N, 419 P

[57] CLAIM

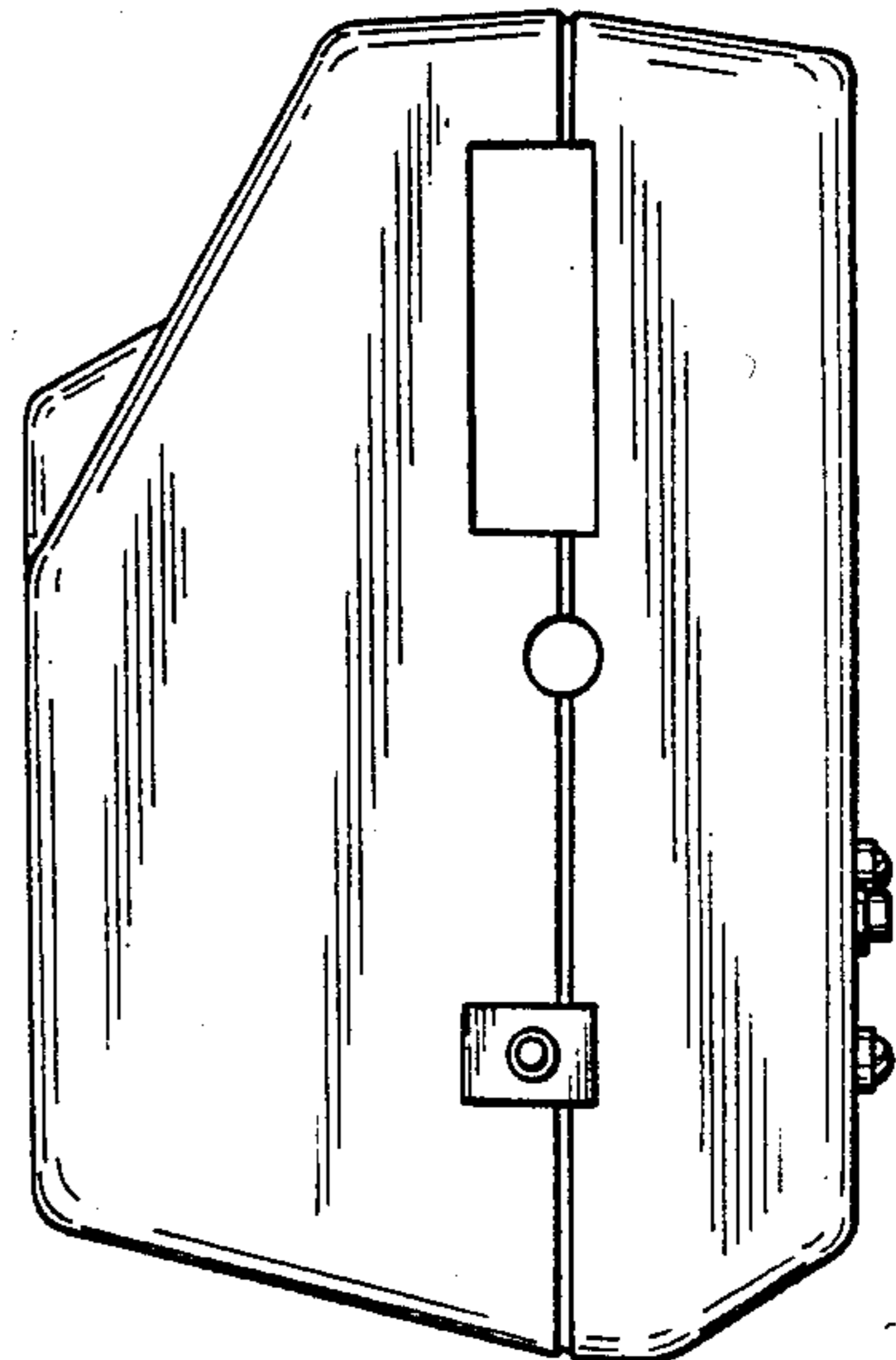
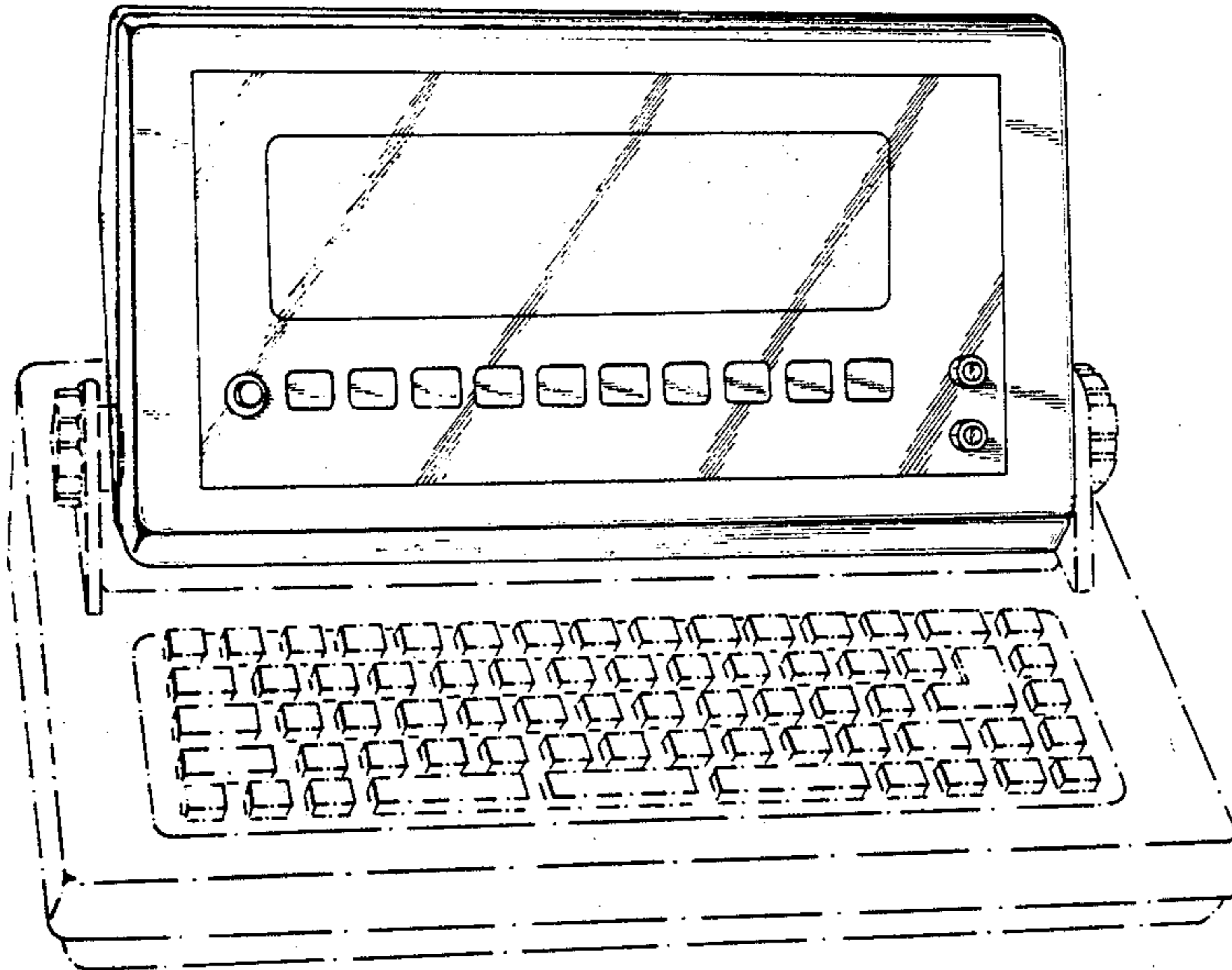
The ornamental design for a housing for an automated blood pressure and other vital signs monitoring device, as shown and described.

DESCRIPTION

FIG. 1 is a perspective view of a housing for an automated blood pressure and other vital signs monitoring device, showing our new design, the broken line showing being for illustrative purposes only and forming no part of the claimed design;
FIG. 2 is a top plan view of the housing shown in FIG. 1;
FIG. 3 is a front elevational view of the housing shown in FIG. 1;
FIG. 4 is a left-side elevational view of the housing shown in FIG. 1;
FIG. 5 is a right-side elevational view of the housing shown in FIG. 1;
FIG. 6 is a back elevational view of the housing shown in FIG. 1; and,
FIG. 7 is a bottom plan view of the housing shown in FIG. 1.

[56] References Cited
U.S. PATENT DOCUMENTS

- D. 247,251 2/1978 Napoli D24/17
- D. 264,128 4/1982 Barnes et al. D24/17
- D. 287,052 12/1986 Avoy et al. D24/17 X



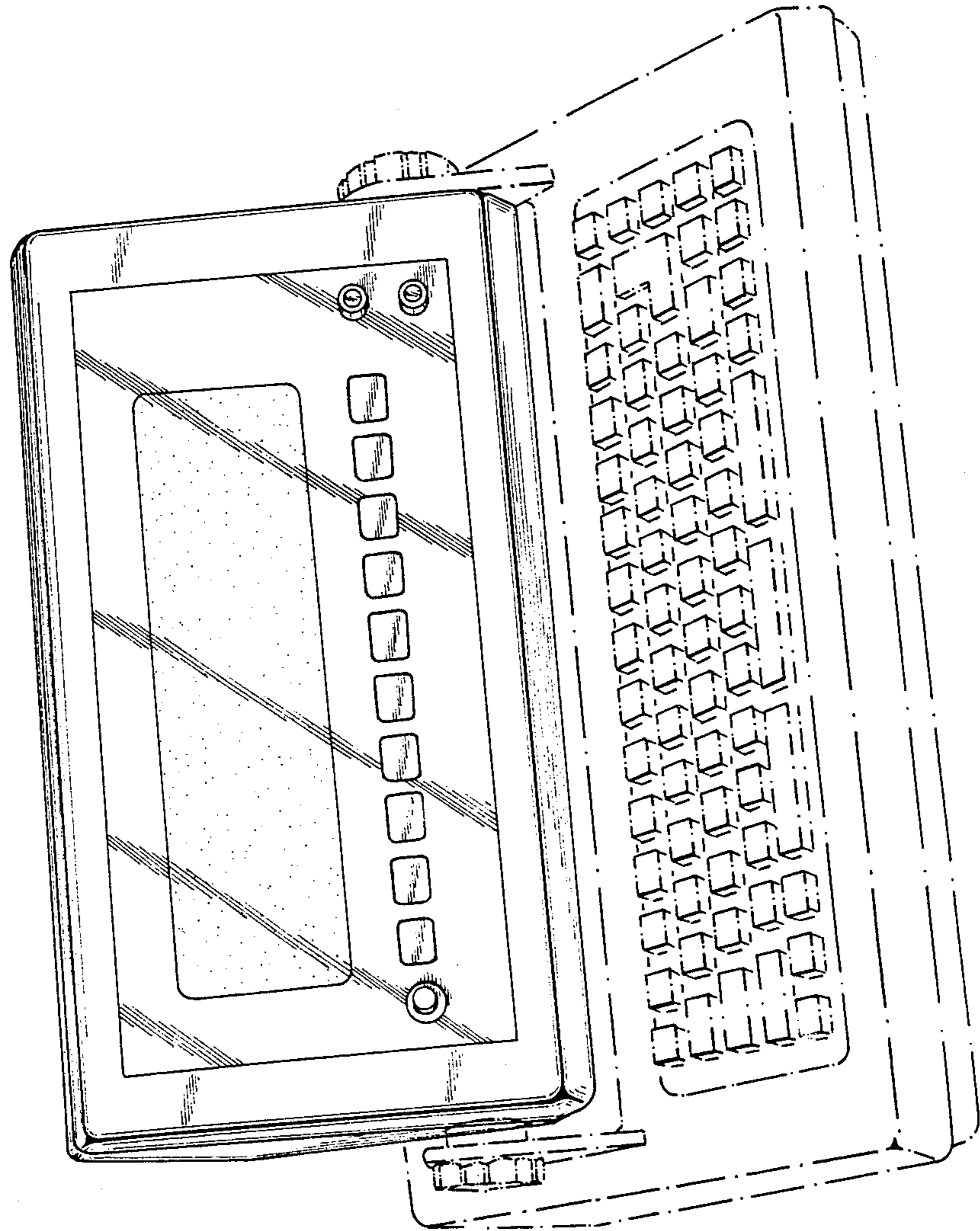


FIG-1

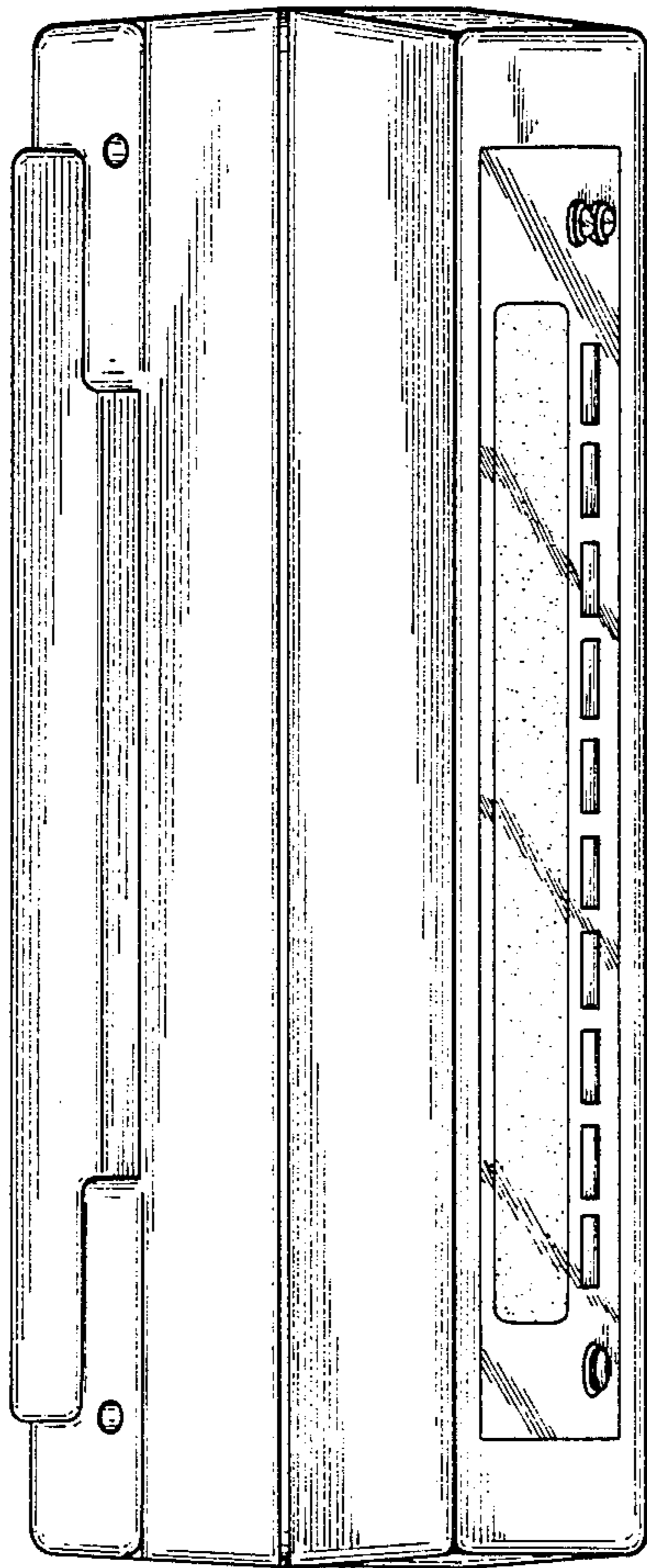


FIG-2

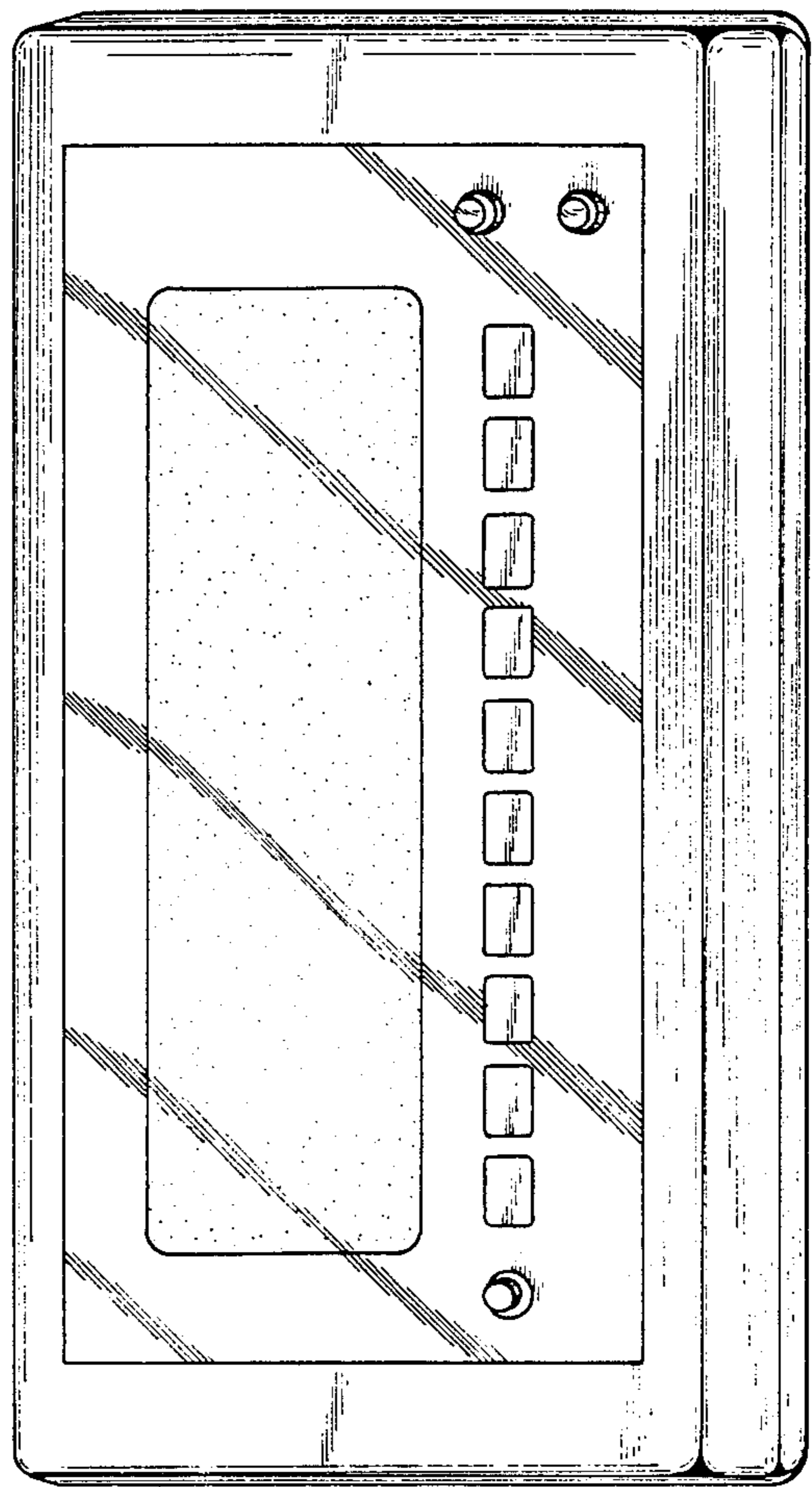


FIG-3

FIG-4

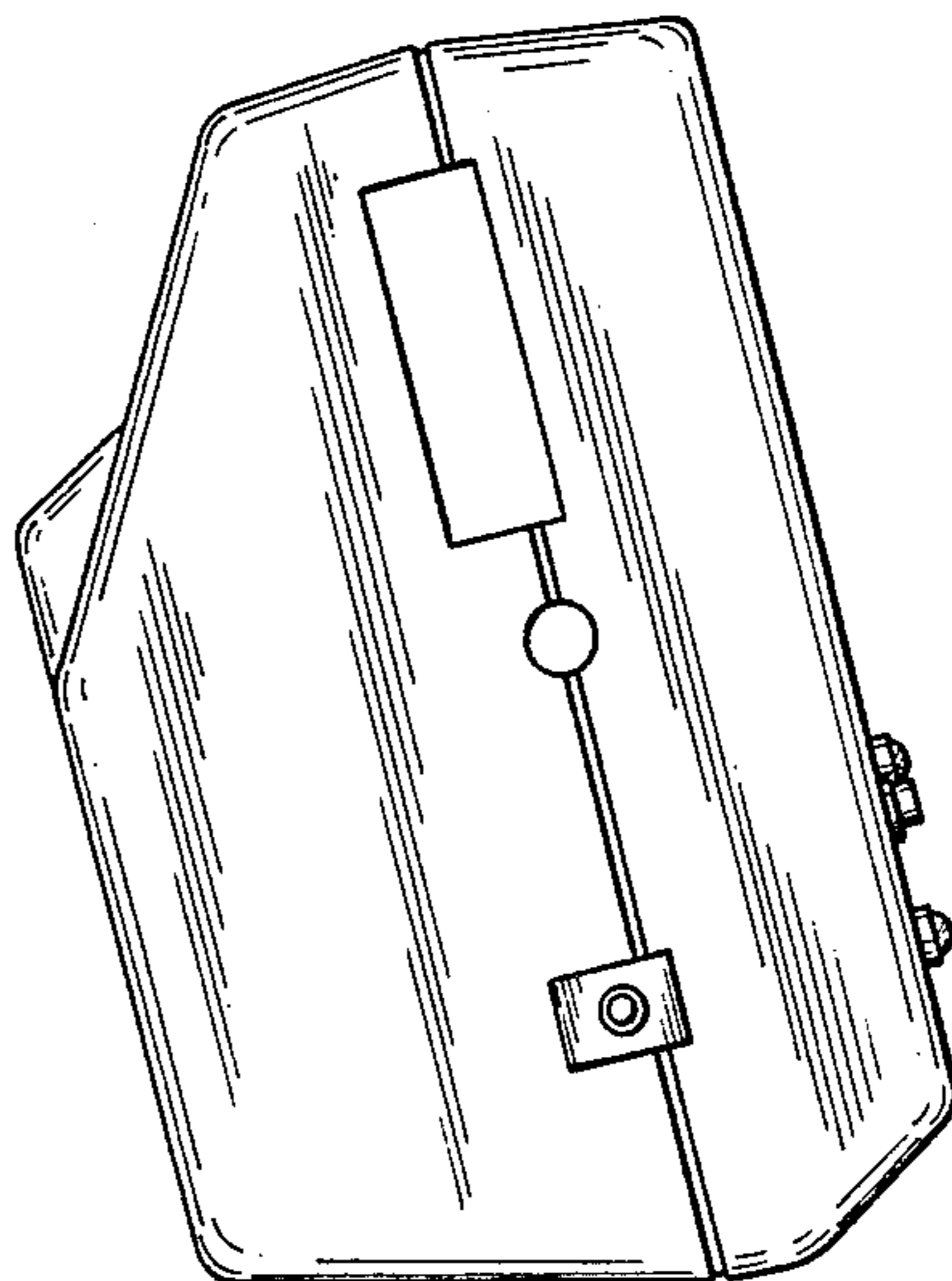
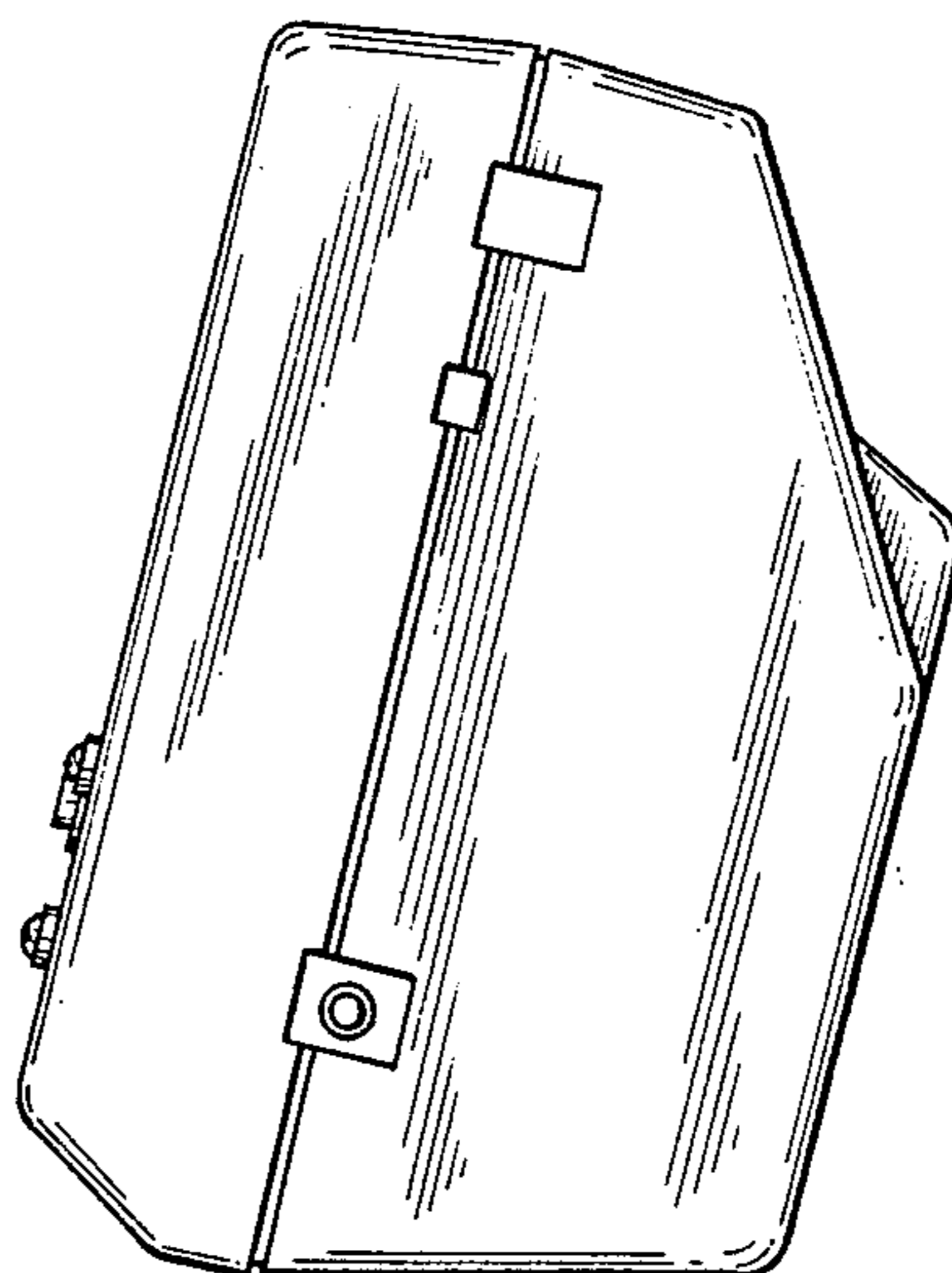


FIG-5



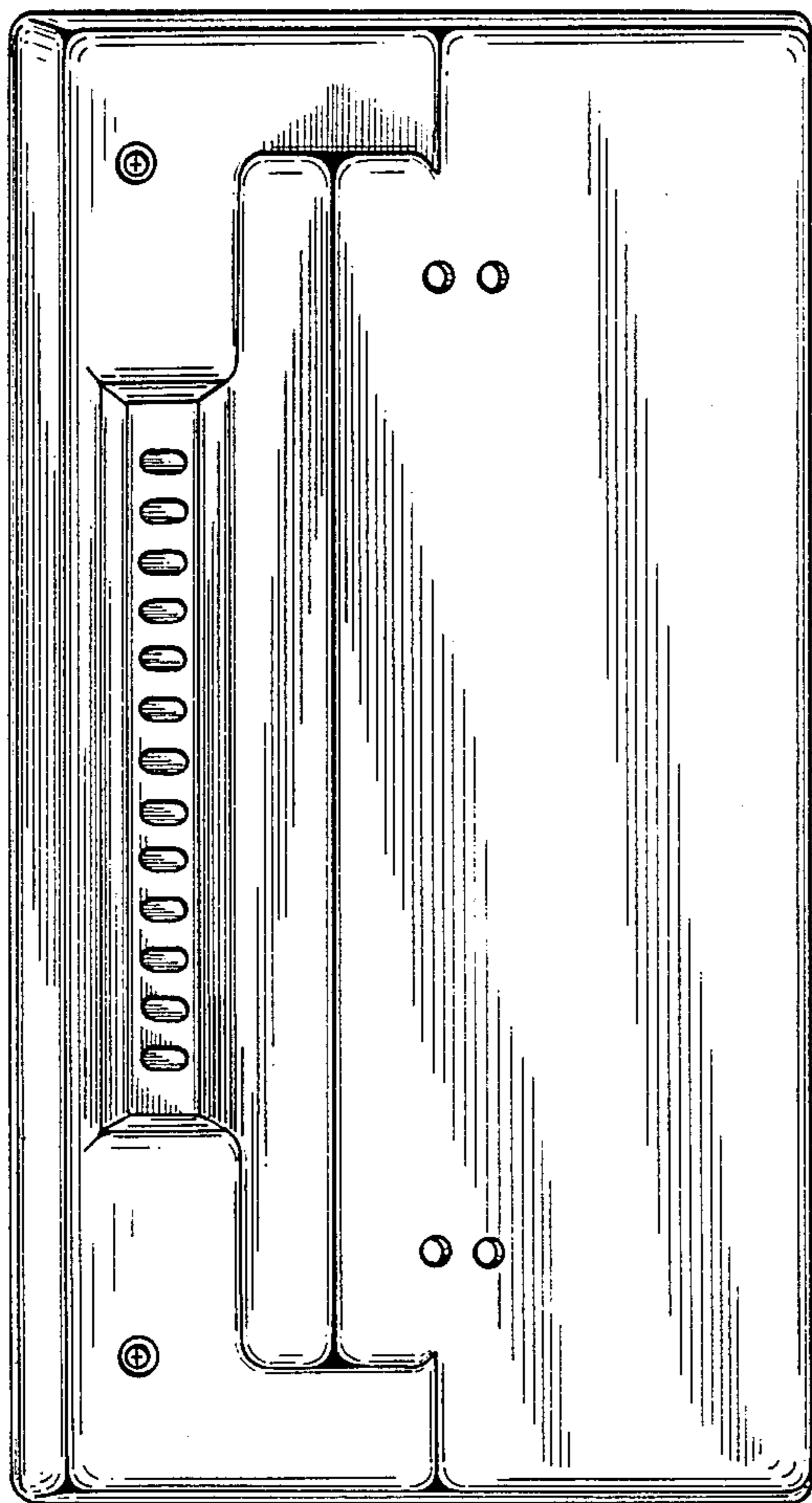


FIG-6

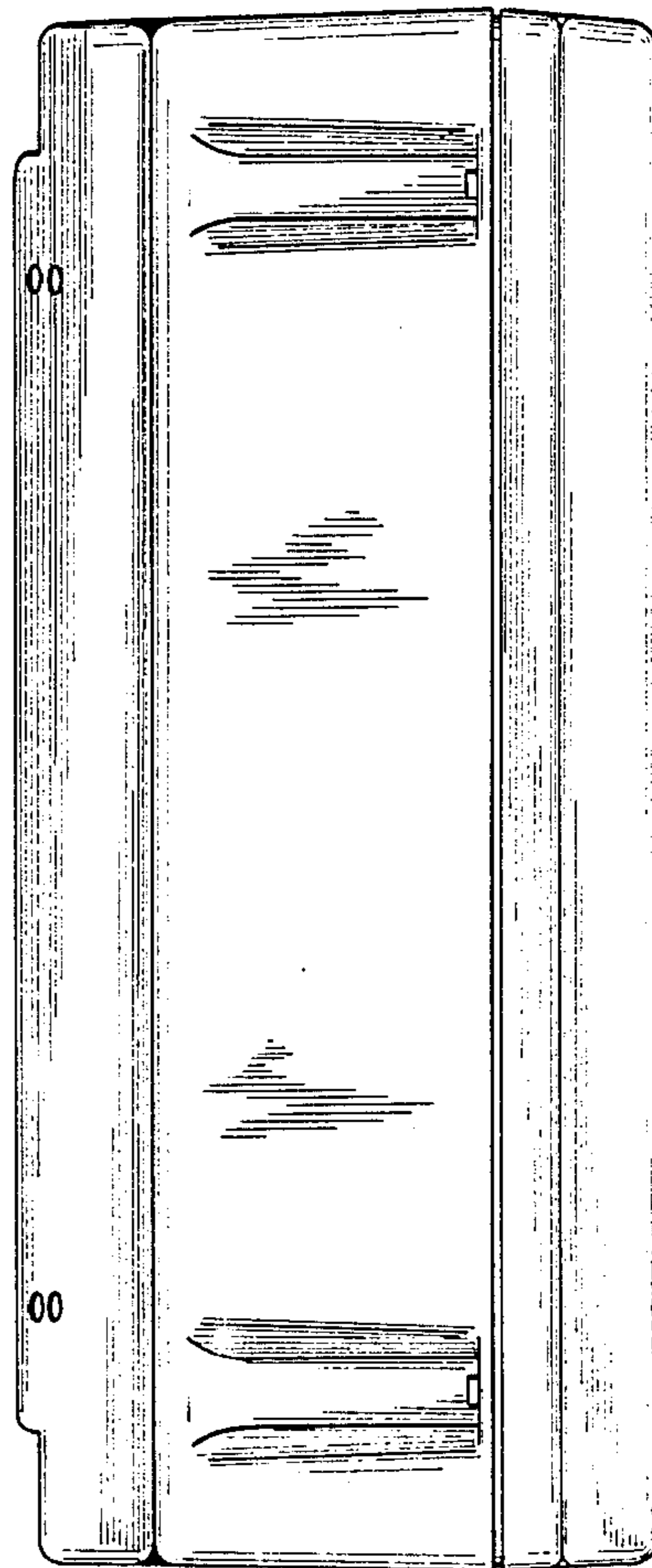


FIG-7