

United States Patent [19]

Fuller

[11] Patent Number: Des. 304,232

[45] Date of Patent: ** Oct. 24, 1989

[54] BREATH SAMPLE RECEIVING MOUTHPIECE

[75] Inventor: Kip L. Fuller, Denver, Colo.

[73] Assignee: Guardian Technologies, Inc., Cincinnati, Ohio

[**] Term: 14 Years

[21] Appl. No.: 45,871

[22] Filed: May 1, 1987

[52] U.S. Cl. D24/17

[58] Field of Search D24/17, 29, 8; 436/900; 128/717-719, 725-727, 730; 422/84

[56] **References Cited**

U.S. PATENT DOCUMENTS

D. 242,489 11/1976 Burroughs .

D. 263,166 2/1982 Bushman D24/17
D. 281,011 10/1985 Helfer D24/17
4,564,021 1/1986 Siegmann et al. .

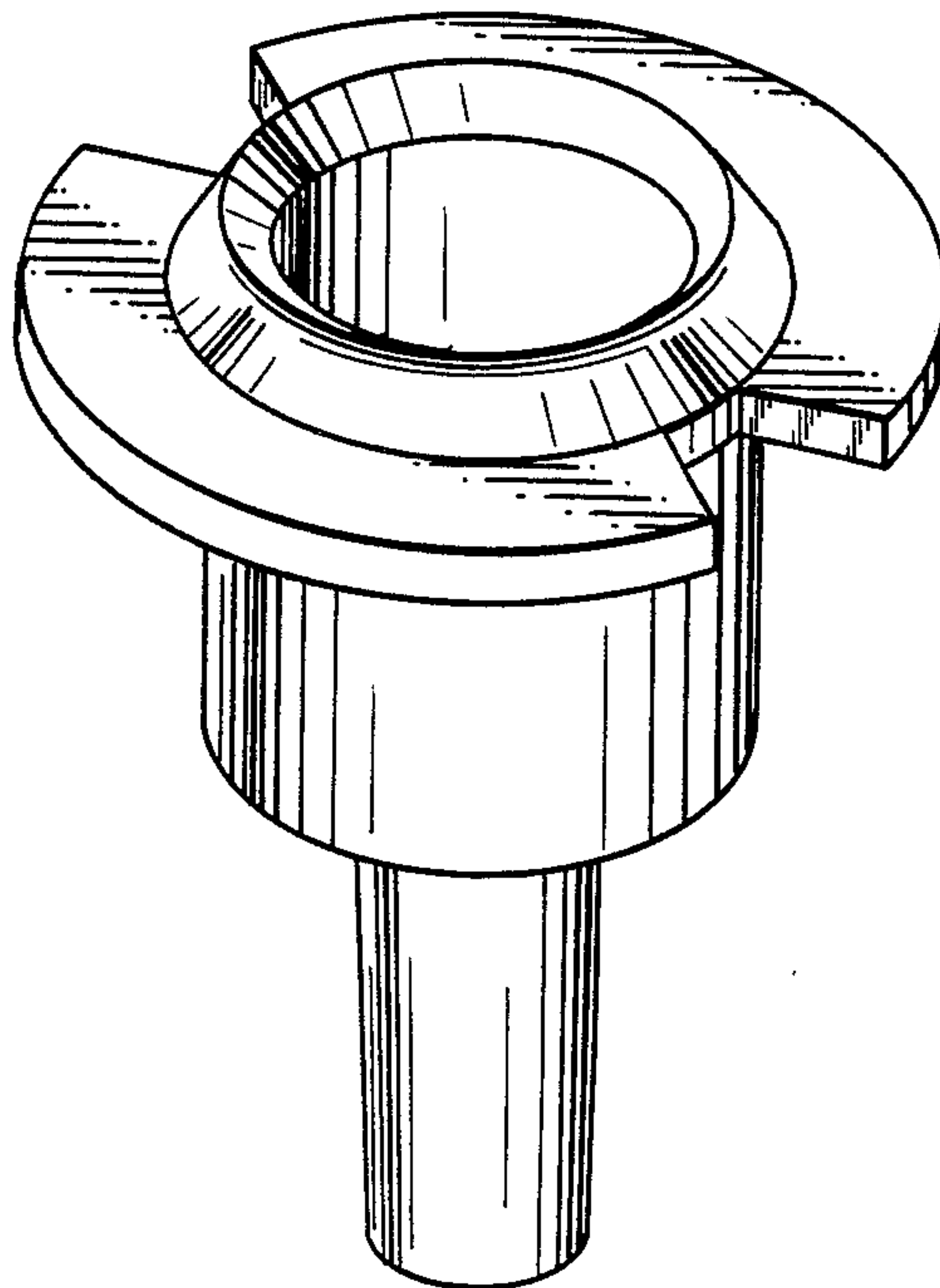
Primary Examiner—Wallace R. Burke
Assistant Examiner—Stella M. Reid
Attorney, Agent, or Firm—Wood, Herron & Evans

[57] **CLAIM**

The ornamental design for a breath sample receiving mouthpiece, as shown and described.

DESCRIPTION

FIG. 1 is a perspective view of a breath sample receiving mouthpiece showing my new design;
FIG. 2 is a front elevational view thereof;
FIG. 3 is a right side elevational view thereof, with the left side elevational view being identical thereto;
FIG. 4 is a top plan view thereof; and
FIG. 5 is a bottom plan view thereof.



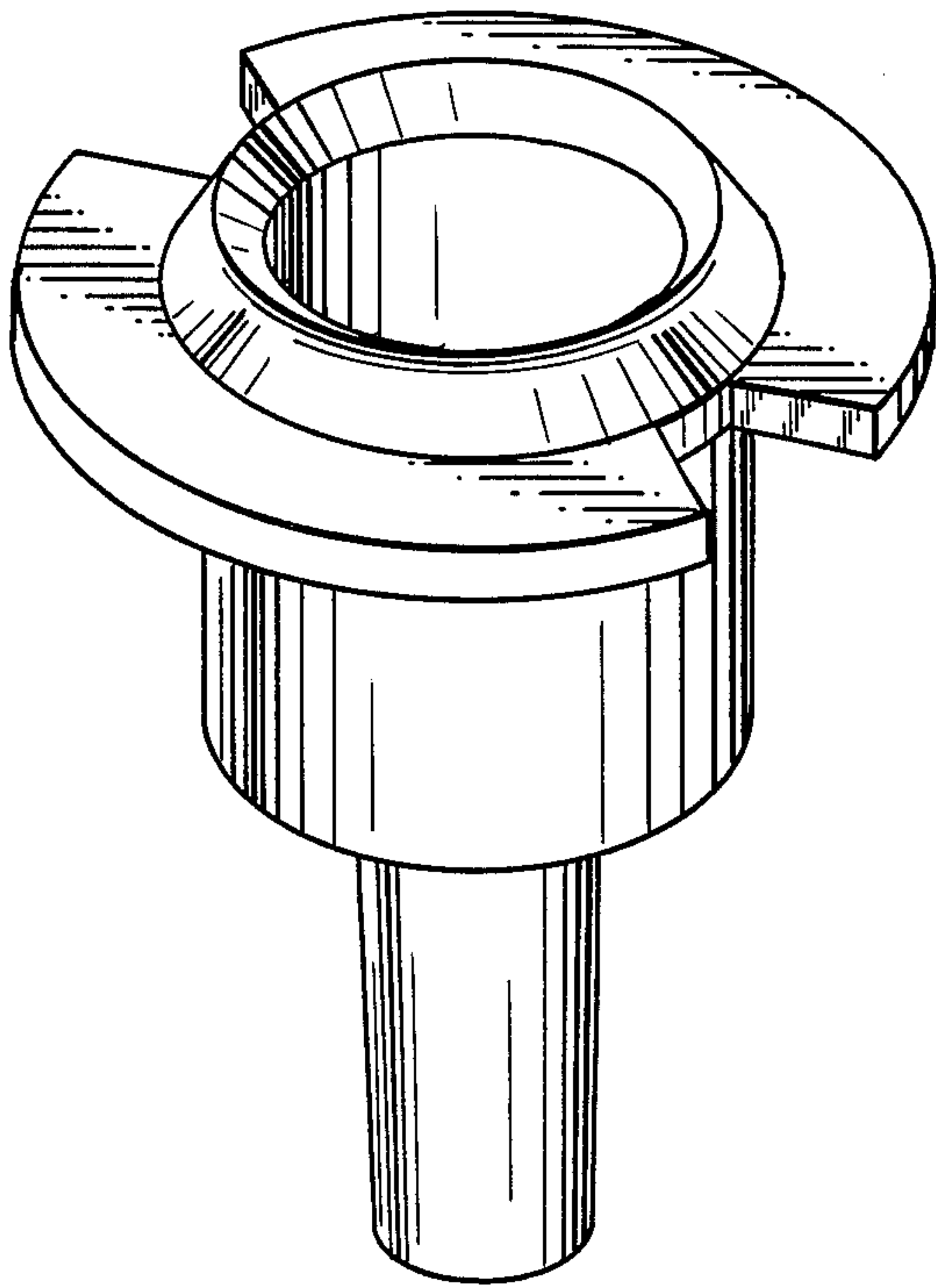


FIG. 1

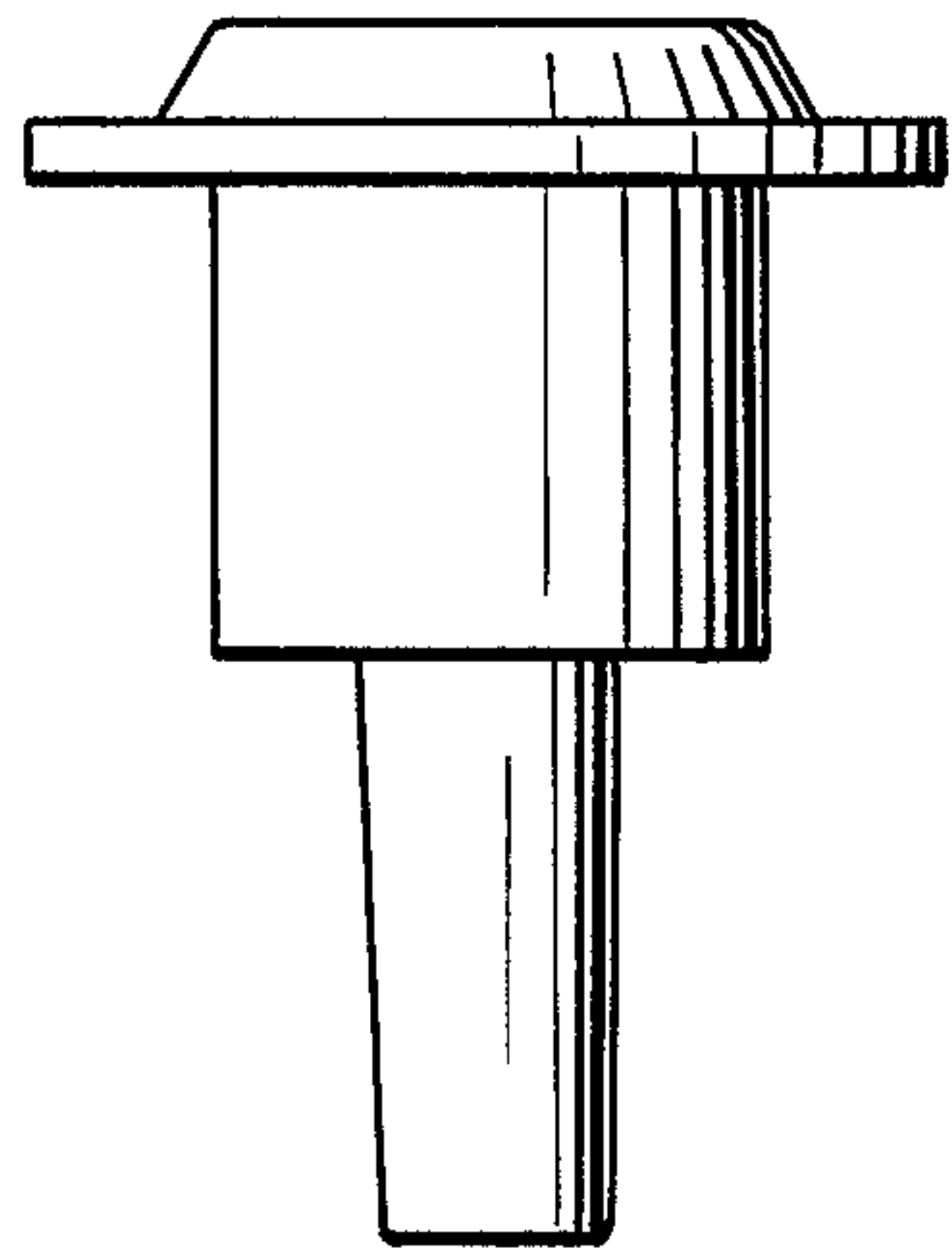


FIG. 2

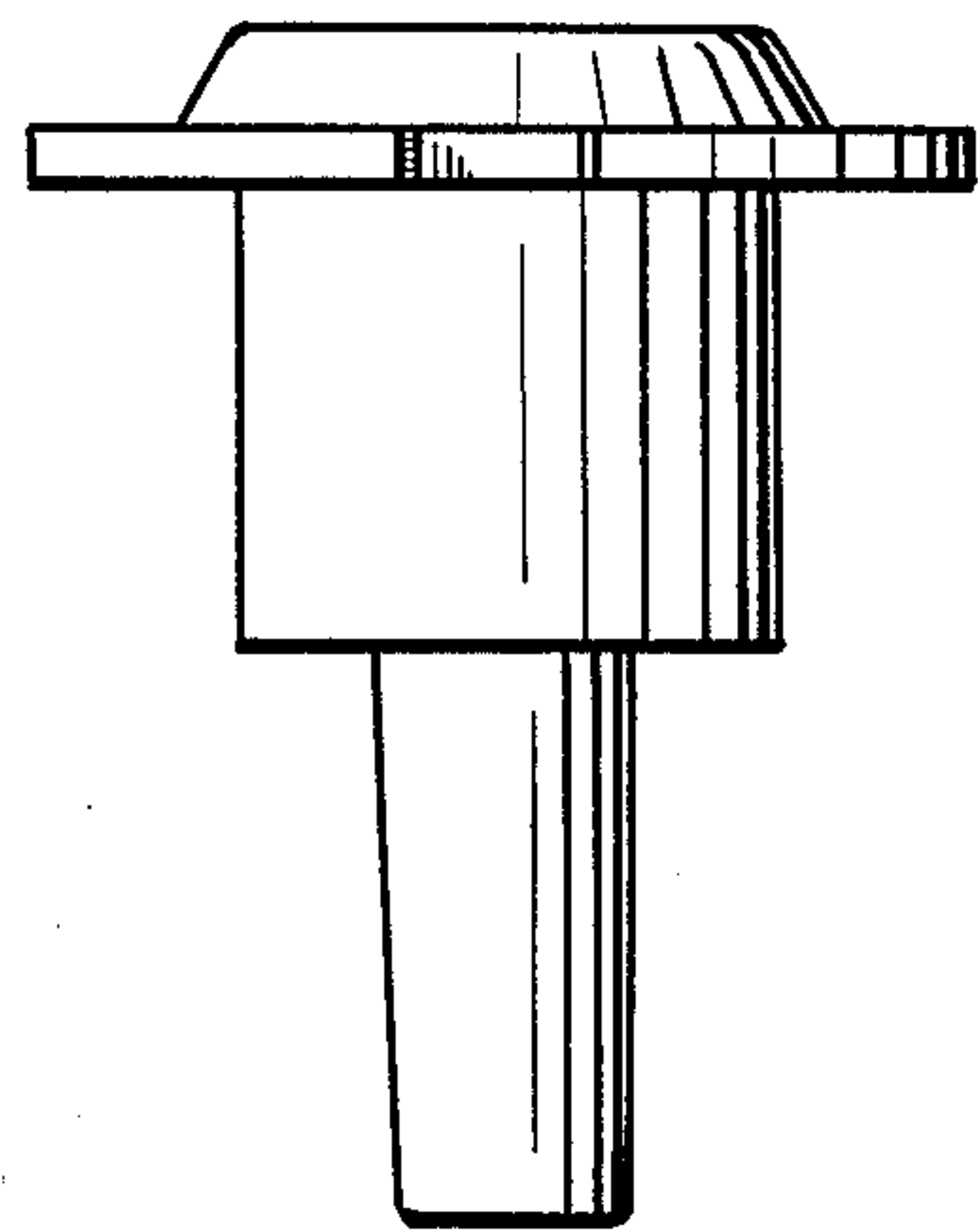


FIG. 3

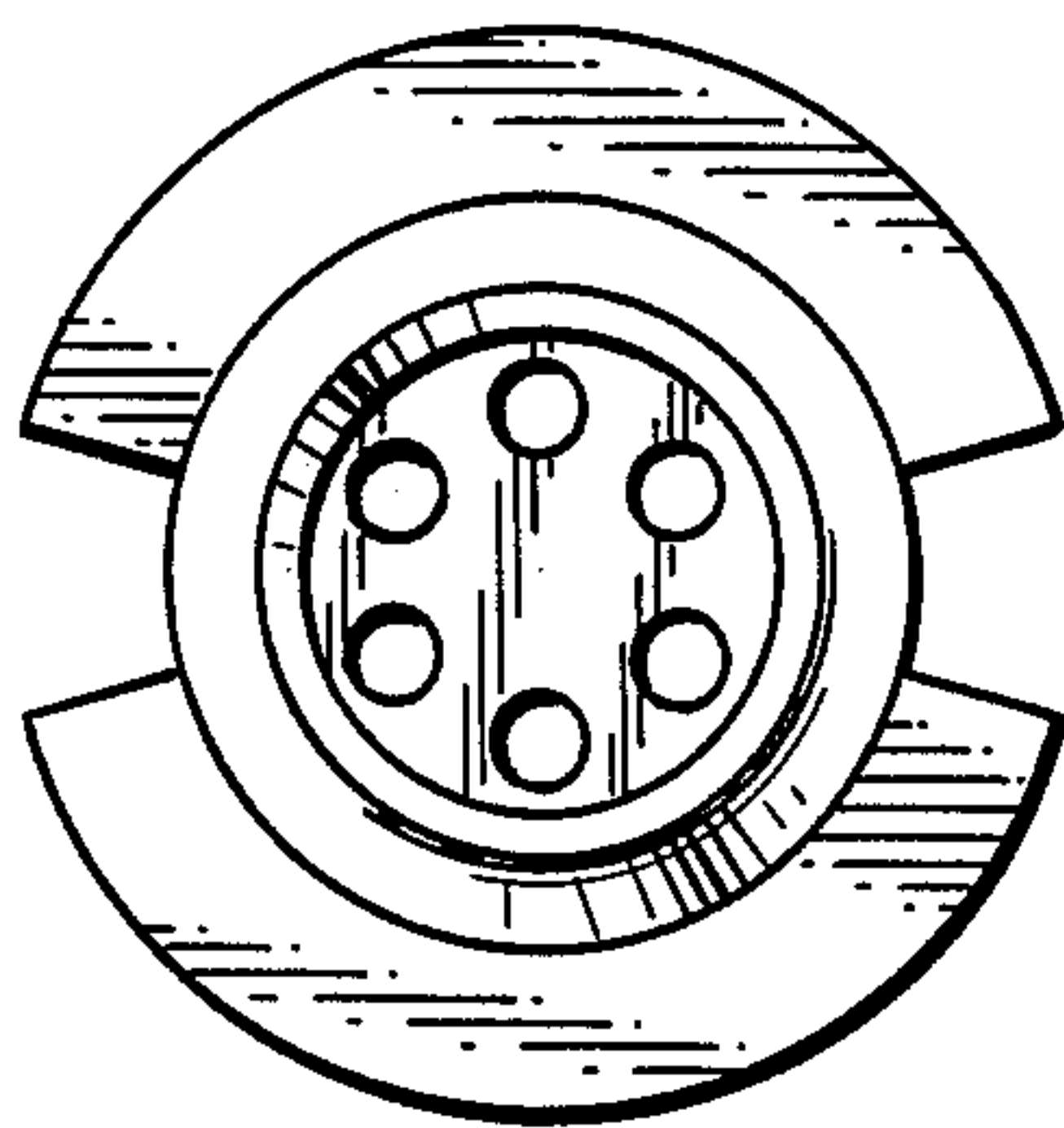


FIG. 4

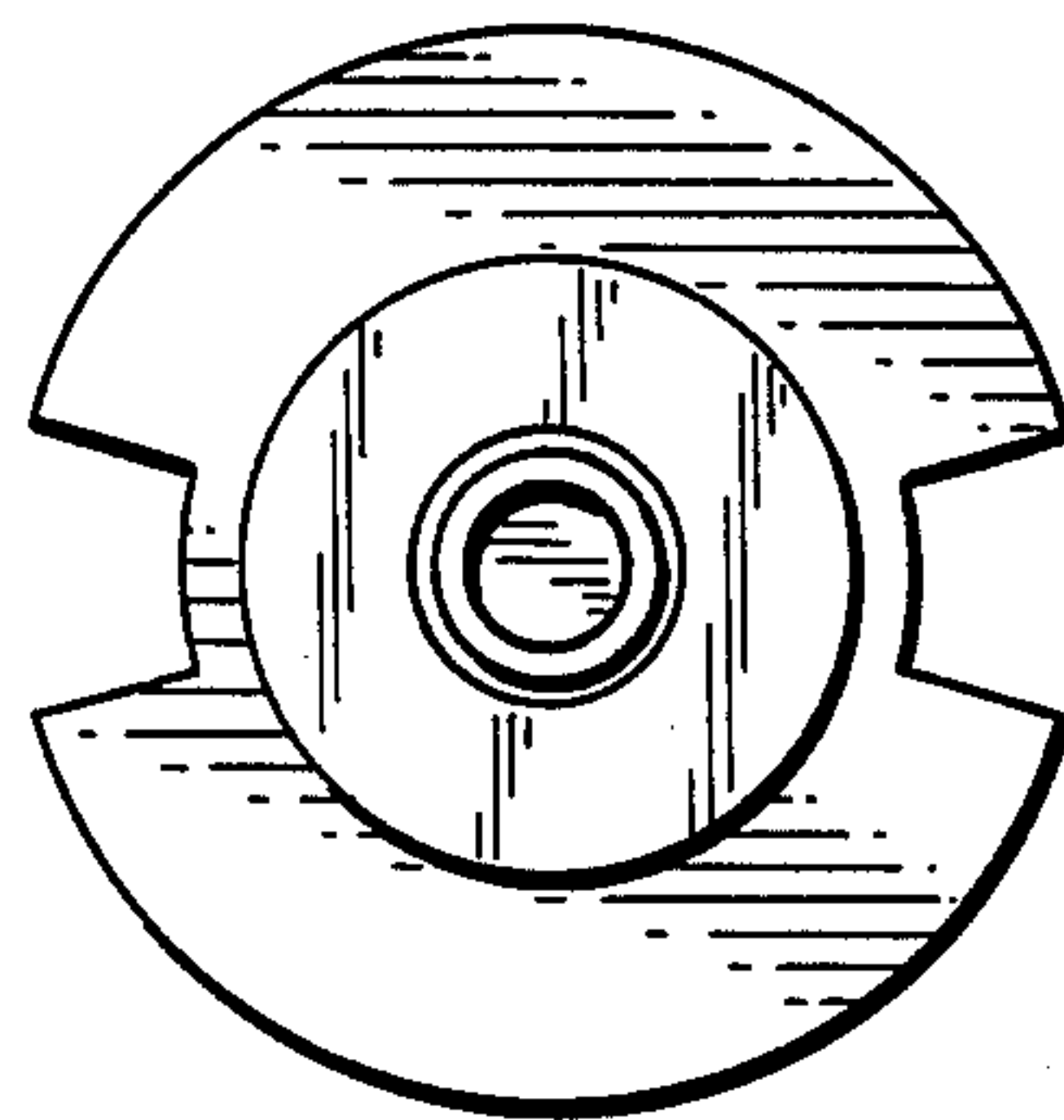


FIG. 5