

[54] CERAMIC HEATING ELEMENT

[76] Inventor: Tim Wang, No. 80, Yung Feng Rd.,
Tai-Ping Village, Taiwan

[**] Term: 14 Years

[21] Appl. No.: 111,971

[22] Filed: Oct. 21, 1987

[52] U.S. Cl. D23/386

[58] Field of Search D23/386, 314; D16/26;
165/80.1, 80.2, 80.3; 219/375, 365, 366, 368;
206/456

3,269,875 8/1966 White 165/80.2
4,302,659 11/1981 Horiba et al. 219/552

OTHER PUBLICATIONS

Sears Auto Center, Auto and Truck Parts and Accessories Catalogue, 1974, p. 13, Sears Air Filter Elements, top of page.

Primary Examiner—James Gandy
Assistant Examiner—Lisa Lichtenstein
Attorney, Agent, or Firm—Darby & Darby

[56] References Cited

U.S. PATENT DOCUMENTS

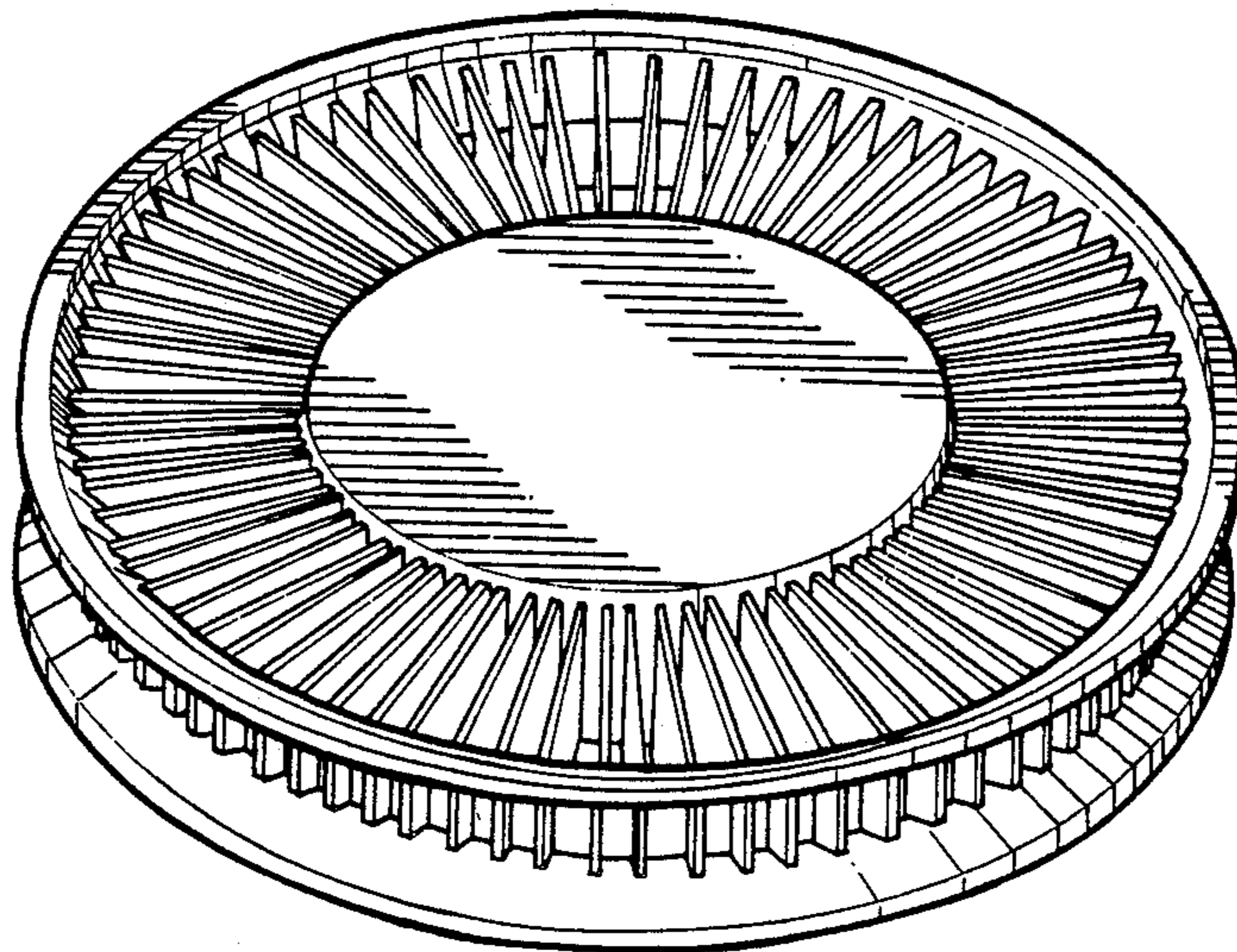
D. 202,141 8/1965 Hall D16/26
D. 214,001 4/1969 Steinbach et al. D16/26
D. 217,642 5/1970 Blecher D16/26
D. 256,724 9/1980 Boggs et al. D23/386
2,653,800 9/1953 Anton 165/80.3
2,959,925 11/1960 Frantti et al. 165/80.3
3,229,070 1/1966 Wells 219/368

[57] CLAIM

The ornamental design for a ceramic heating element, as shown and described.

DESCRIPTION

FIG. 1 is a perspective view of a ceramic heating element showing my new design;
FIG. 2 is a top plan view thereof;
FIG. 3 is a front elevation view thereof, the rear being a mirror image of that shown; and
FIG. 4 is a bottom plan view thereof.



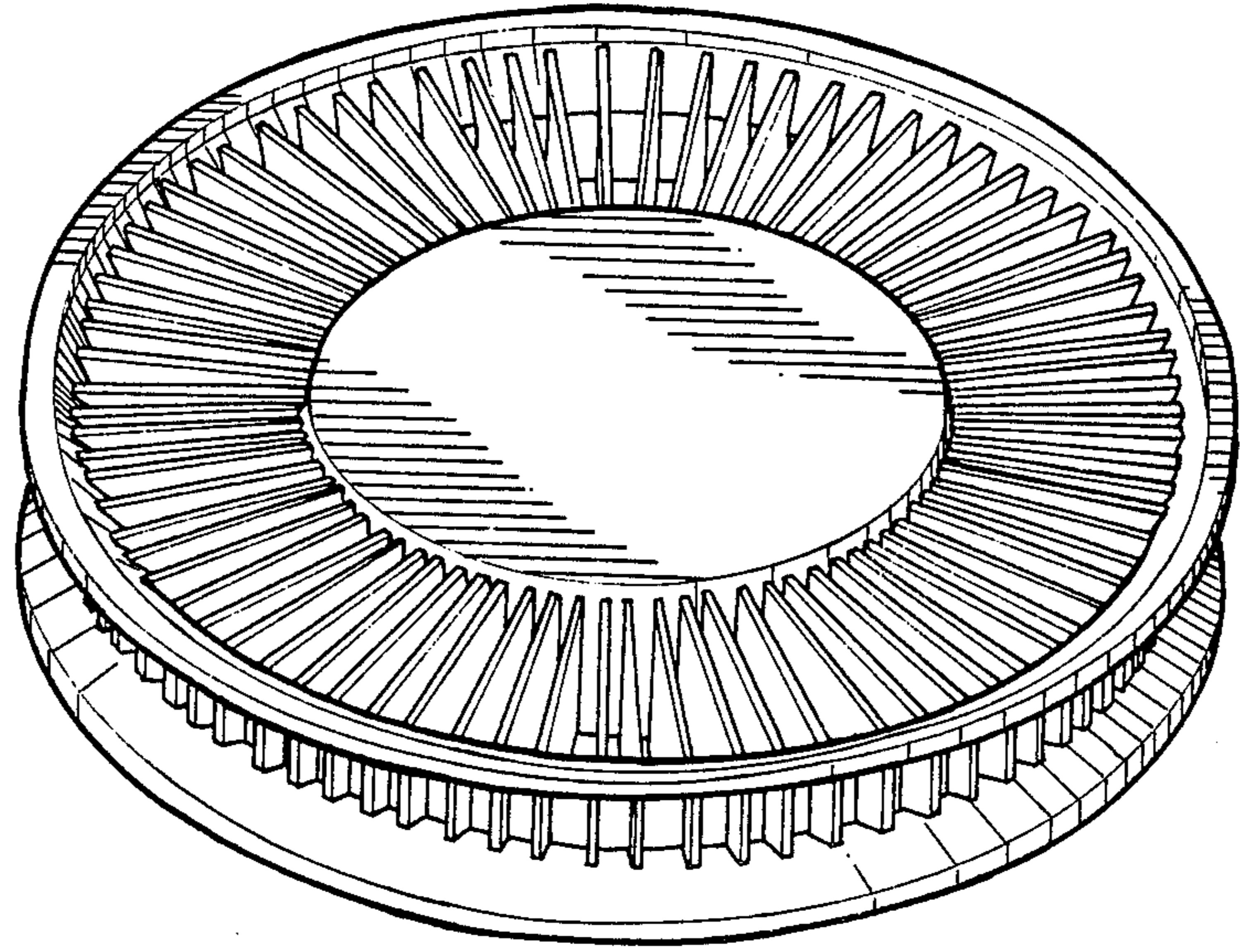


FIG. 1

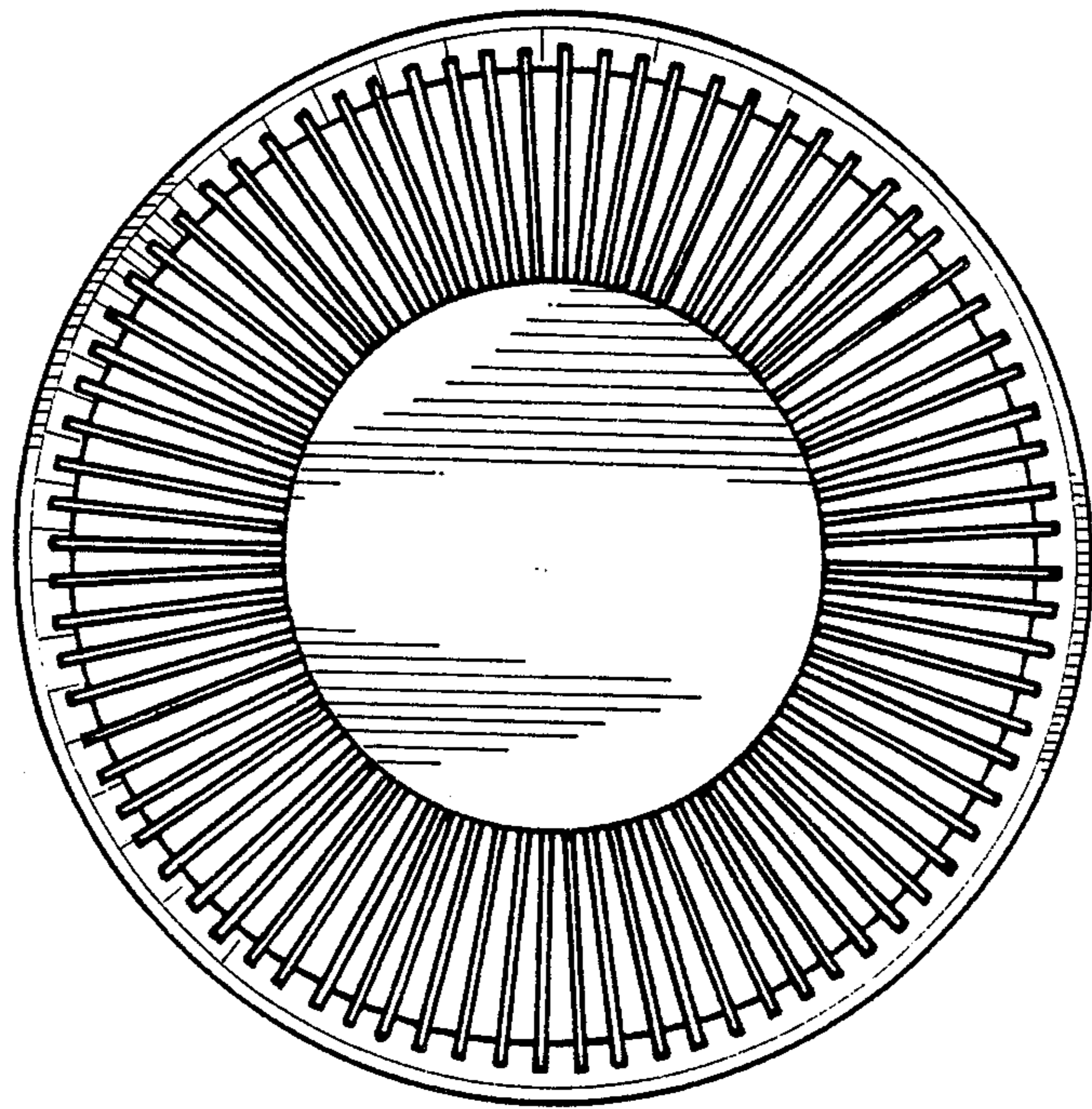


FIG. 2

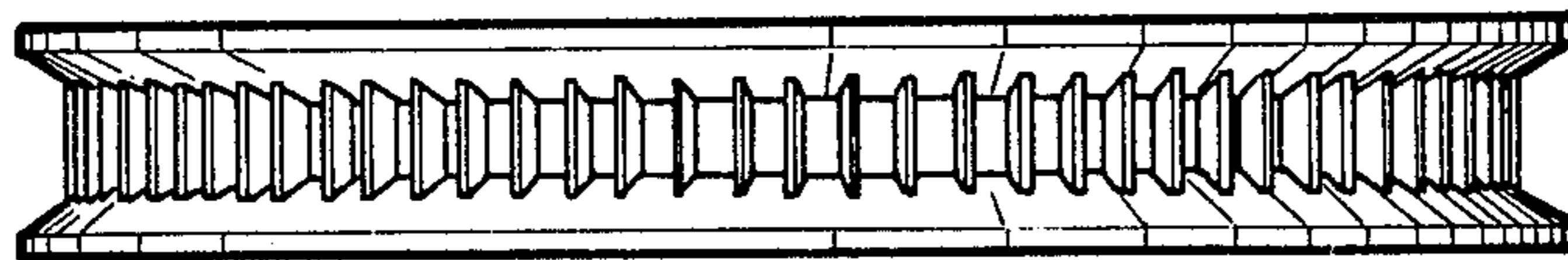


FIG. 3

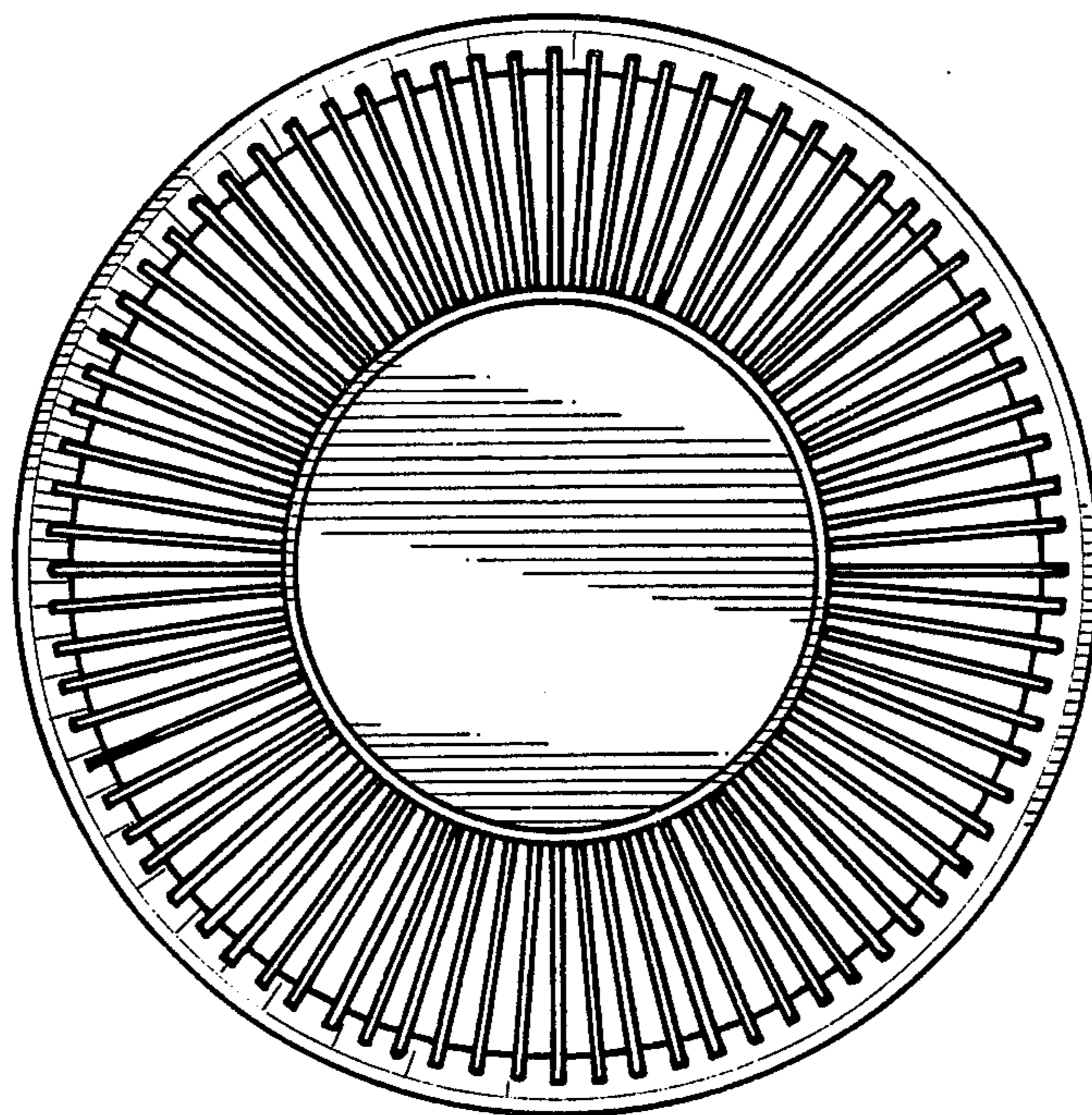


FIG. 4