

United States Patent [19]

Rezek

[11] Patent Number: Des. 304,229

[45] Date of Patent: ** Oct. 24, 1989

[54] CEILING FAN

[75] Inventor: Ron Rezek, Los Angeles, Calif.

[73] Assignee: Beverly Hills Trading Company, Inc., North Hollywood, Calif.

[**] Term: 14 Years

[21] Appl. No.: 180,793

[22] Filed: Apr. 12, 1988

[52] U.S. Cl. D23/377

[58] Field of Search D23/370, 377, 379, 385, D23/411; D26/51, 59; 362/96, 404, 405; 416/206, 205, 5

4,634,345 1/1987 Stanek et al. 416/244 R
4,750,863 6/1988 Scoggins 416/5

FOREIGN PATENT DOCUMENTS

58-101292 6/1983 Japan .
361316 1/1973 U.S.S.R. 416/5
385772 1/1933 United Kingdom .
608569 9/1948 United Kingdom 416/5
1073791 6/1967 United Kingdom 362/404
1208928 6/1970 United Kingdom 416/5
1584264 2/1981 United Kingdom .

OTHER PUBLICATIONS

Brochure entitled "A Contemporary Ceiling Fan System Designed by Sonneman for Homestead" by Homestead Products, ©1987.

Primary Examiner—James M. Gandy

Assistant Examiner—Lisa Lichtenstein

Attorney, Agent, or Firm—Bernard, Rothwell & Brown

[56] References Cited

U.S. PATENT DOCUMENTS

D. 82,179 9/1930 Ringwald D23/379
D. 270,942 10/1983 McCain D23/379
D. 297,859 9/1988 Jiang D23/411
560,569 5/1896 Brinser 416/196 R
623,801 4/1899 Melzer 416/5
636,871 11/1899 Wait 416/5
905,089 11/1908 McBerty 310/68 A
1,357,366 11/1920 White 416/135
1,445,402 2/1923 LeVelle 416/87
4,073,598 2/1978 Mizutani et al. 416/5
4,342,073 7/1982 Ranten 362/294
4,357,506 11/1982 Breining 200/52 R
4,402,649 9/1983 Laurel 416/5
4,422,824 12/1983 Eisenhardt, Jr. 416/5
4,592,702 6/1986 Bogage 416/247 R
4,596,585 6/1986 Moeller et al. 55/2

[57] CLAIM

The ornamental design for a ceiling fan, as shown and described.

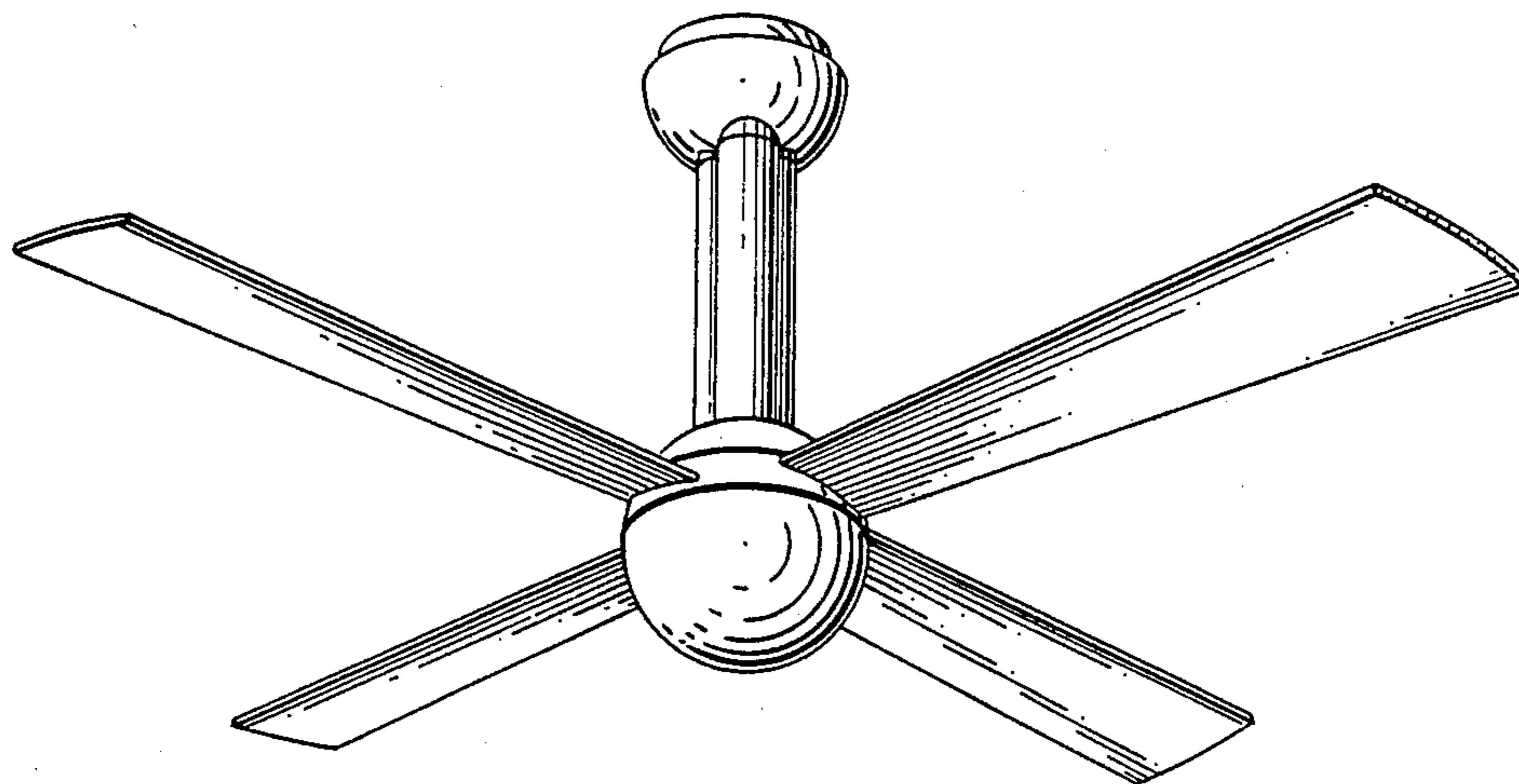
DESCRIPTION

FIG. 1 is a perspective view of the ceiling fan of my new invention as viewed from below;

FIG. 2 is a perspective view thereof, as viewed from above;

FIG. 3 is a side elevational view thereof on a reduced scale, the opposite side being a mirror image of that shown;

FIG. 4 is a bottom plan view thereof on a reduced scale.



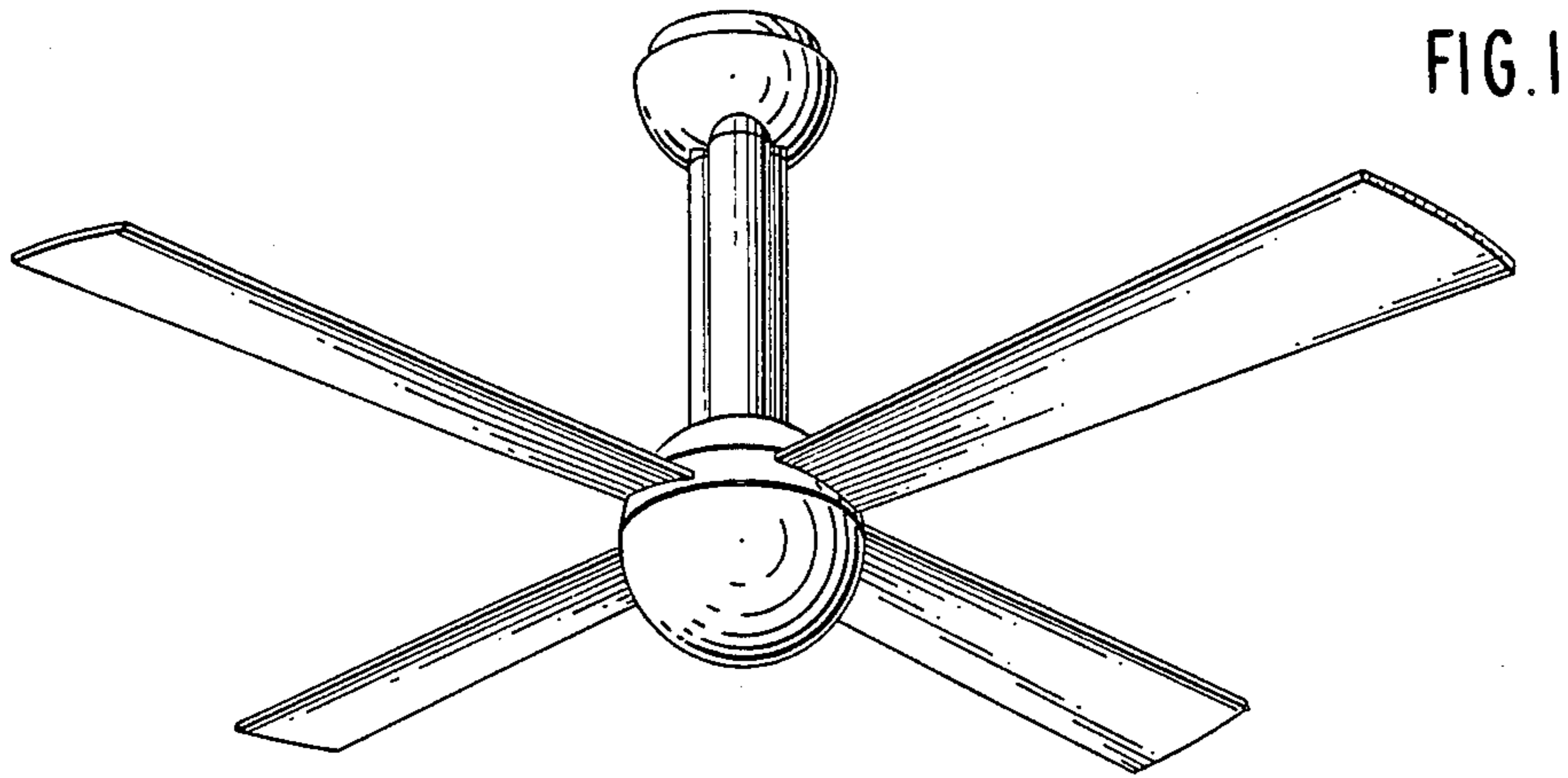


FIG. 1

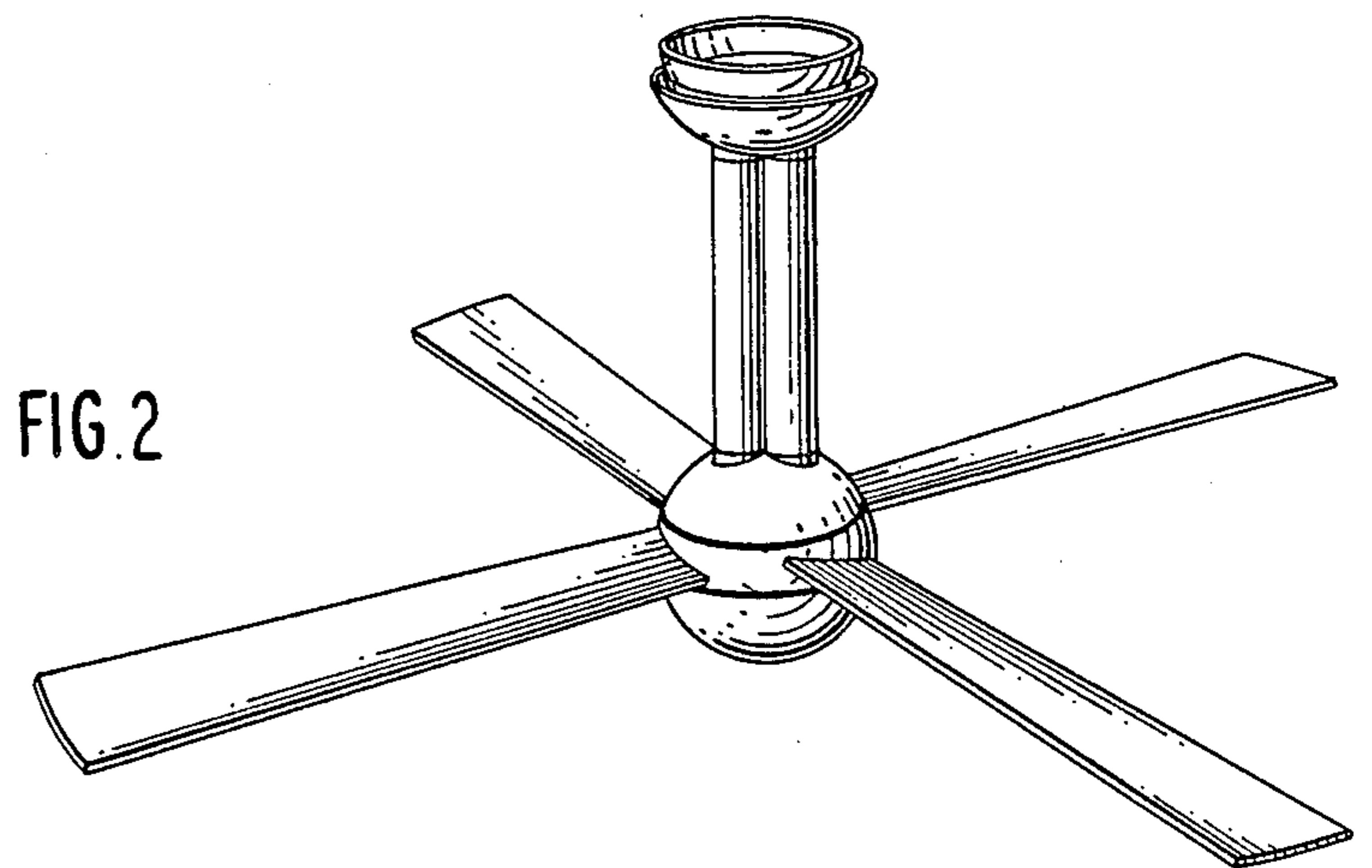


FIG. 2

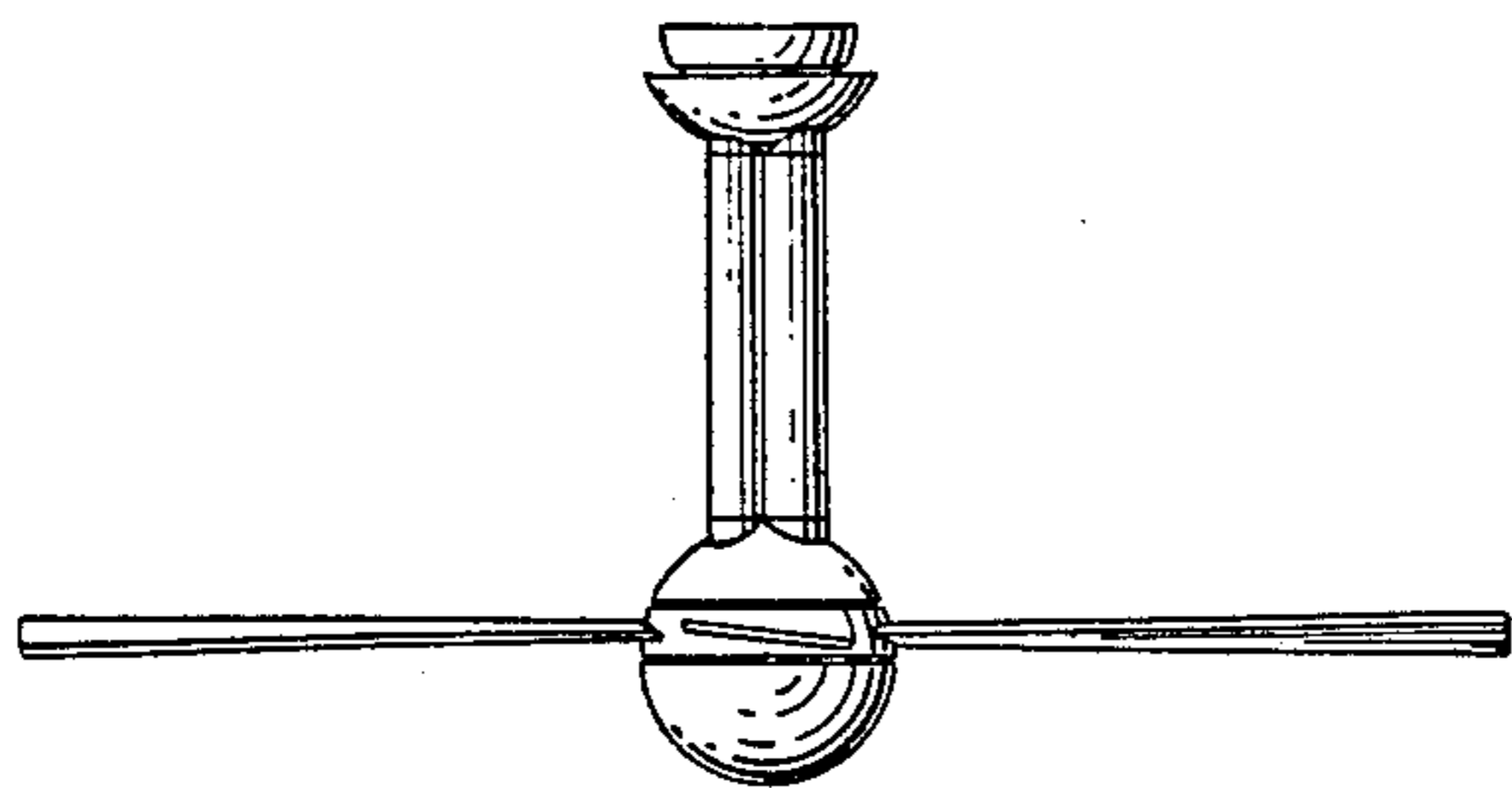


FIG. 3

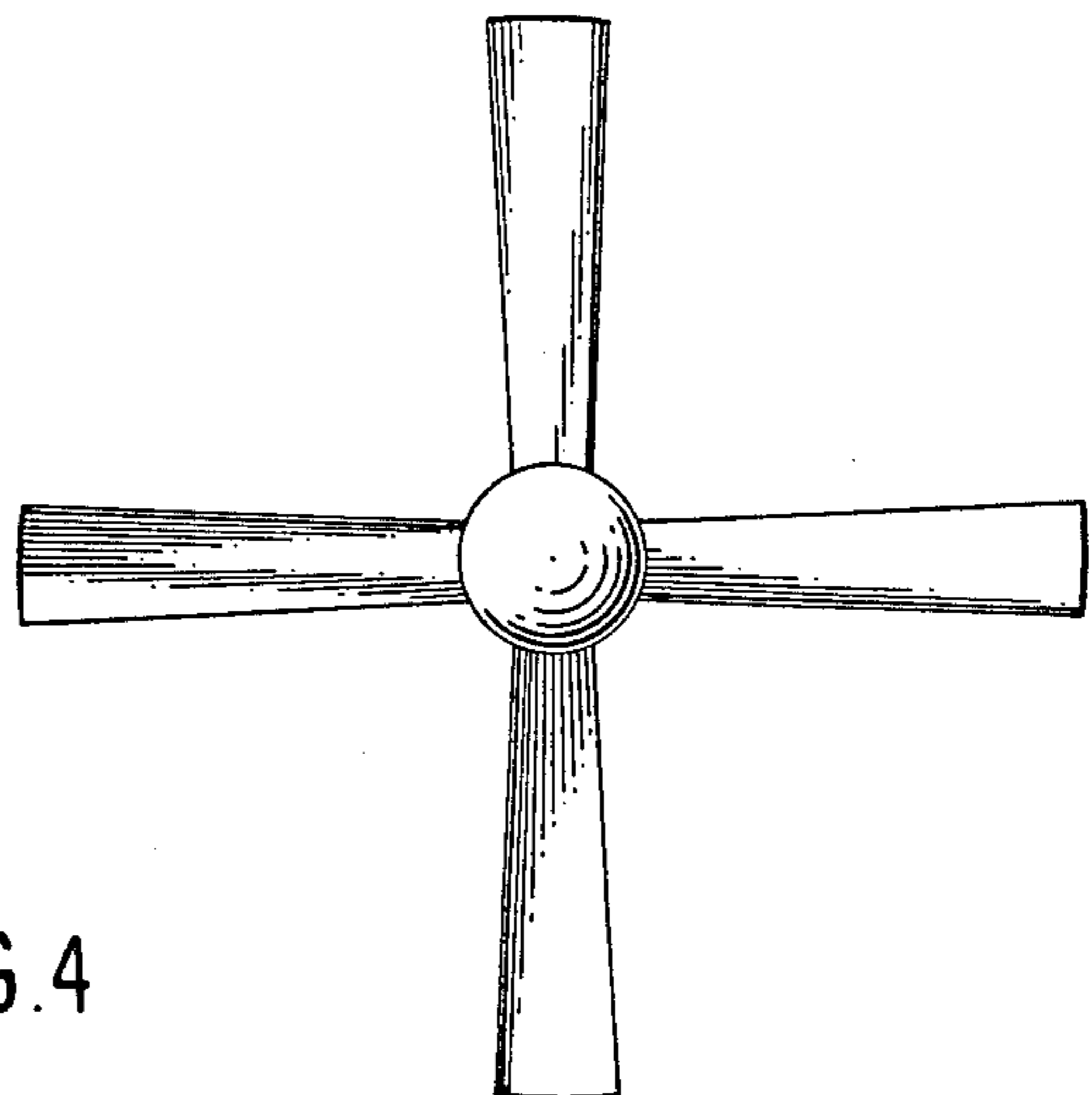


FIG. 4