

[54] **FIREPLACE**

[75] **Inventors: Bruce V. Benfield; Peter J. Benfield, both of North Haven; Tim T. Pyyvaara, Port Noarlunga; Victor L. Bishop, Klemzig; Stuart L. Speck, Wynnvale, all of Australia**

[73] **Assignee: Heatshield PTY. Ltd., Australia**

[**] **Term: 14 Years**

[21] **Appl. No.: 83,416**

[22] **Filed: Aug. 7, 1987**

[30] **Foreign Application Priority Data**

Feb. 10, 1987 [AU] Australia 395/87
[52] **U.S. Cl.** **D23/344**
[58] **Field of Search** **D23/343-350;**
126/58, 60-66, 85 R, 120-122, 126, 138-144,
152 R, 164-165, 190, 198, 200

[56] **References Cited**

U.S. PATENT DOCUMENTS

D. 267,584 1/1983 Hilker D23/344

OTHER PUBLICATIONS

Supra brochure (1985) p. 4 Fireplace Insert.
Supra 150 Fireplace Module brochure (1985).
Super Heat brochure (1985) p. 4 Fireplace Insert.

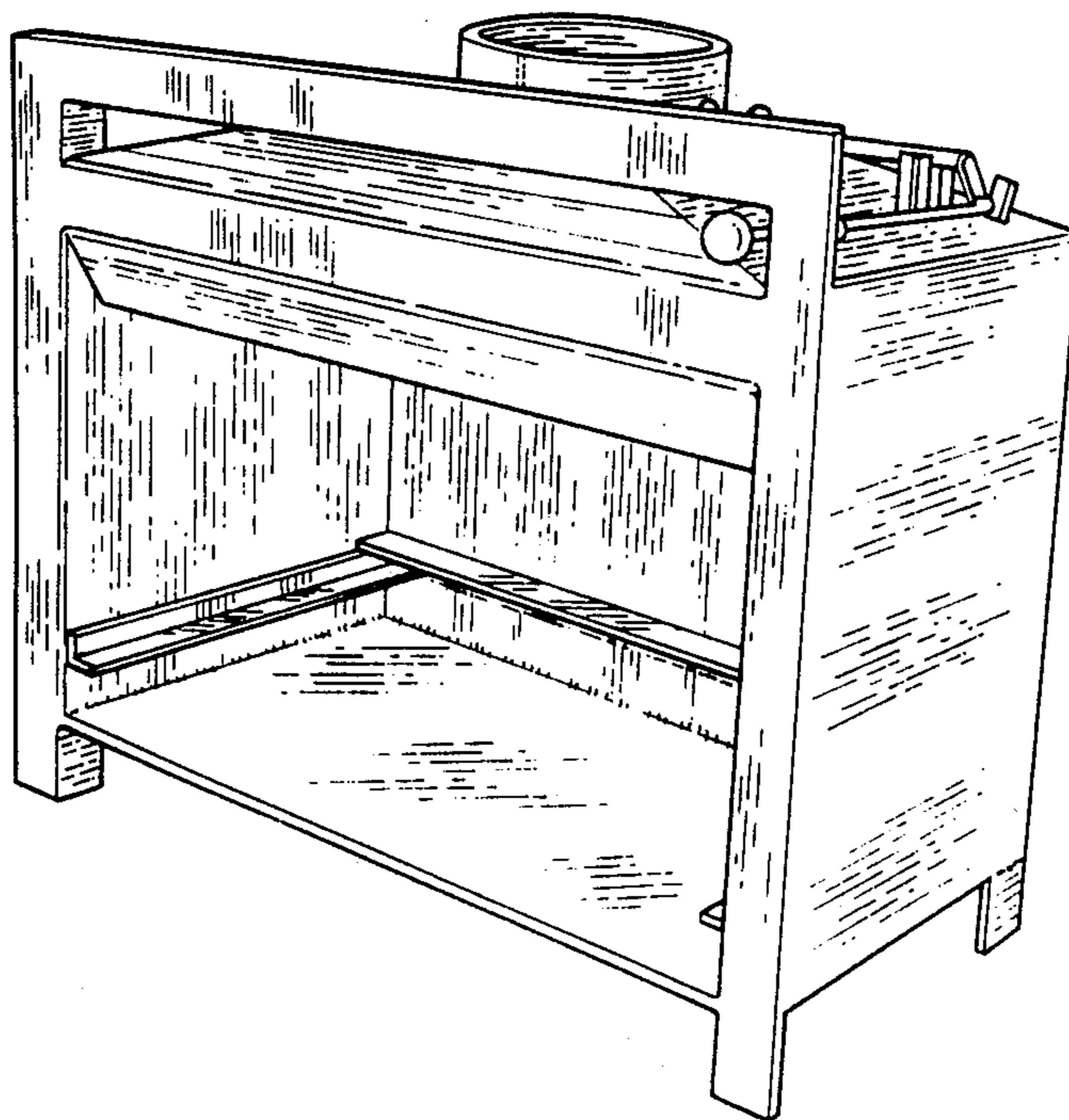
Primary Examiner—Wallace R. Burke
Assistant Examiner—Brian N. Vinson
Attorney, Agent, or Firm—Bruce L. Adams; Van C. Wilks

[57] **CLAIM**

The ornamental design for a fireplace, as shown and described.

DESCRIPTION

FIG. 1 is a front perspective view of a fireplace showing my new design;
FIG. 2 is a front and right side perspective view thereof;
FIG. 3 is a left side perspective view thereof;
FIG. 4 is a top, rear and right side perspective view thereof; and
FIG. 5 is a rear, left side and bottom perspective view thereof.



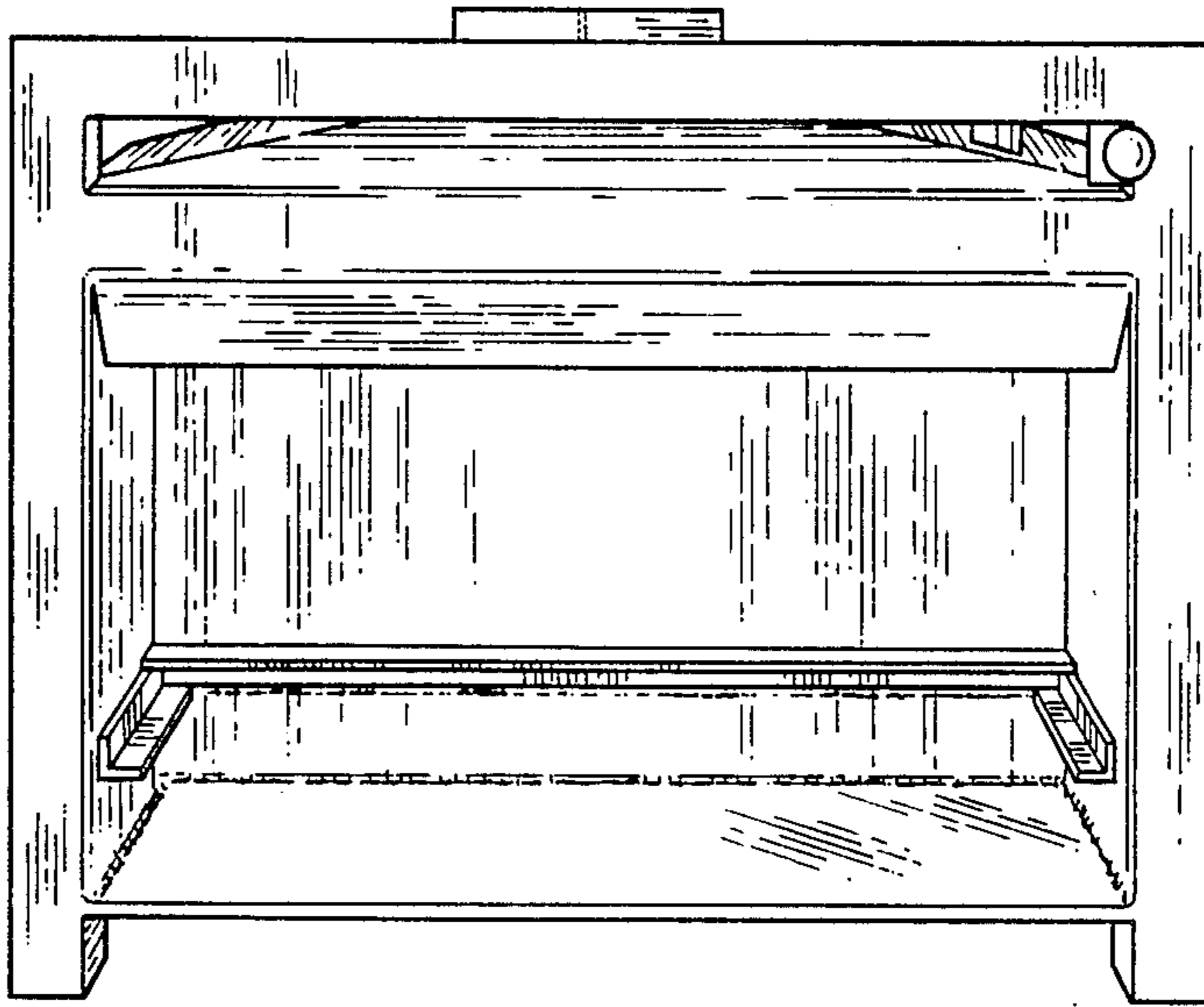


FIG 1

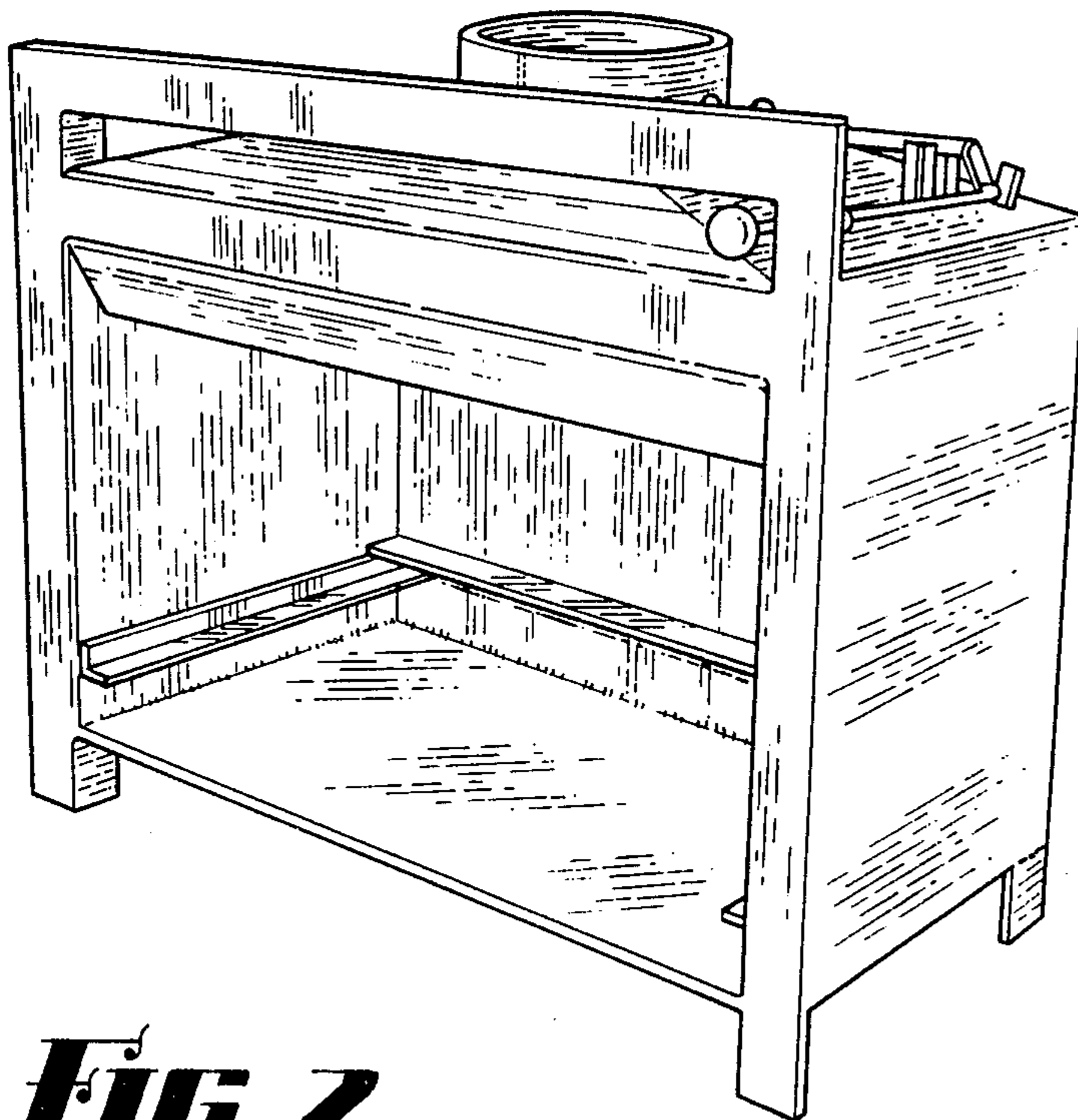


FIG 2

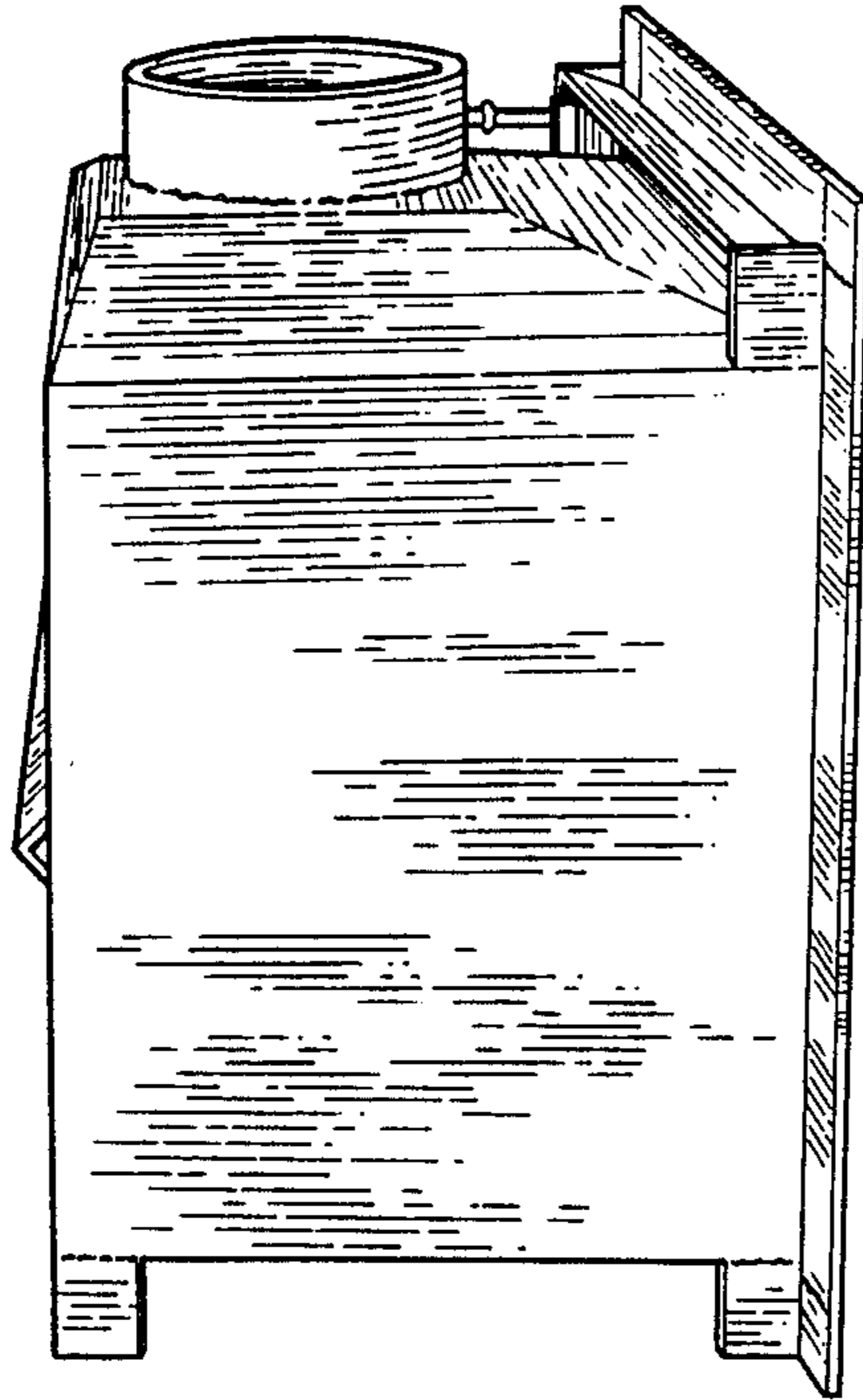


FIG 3

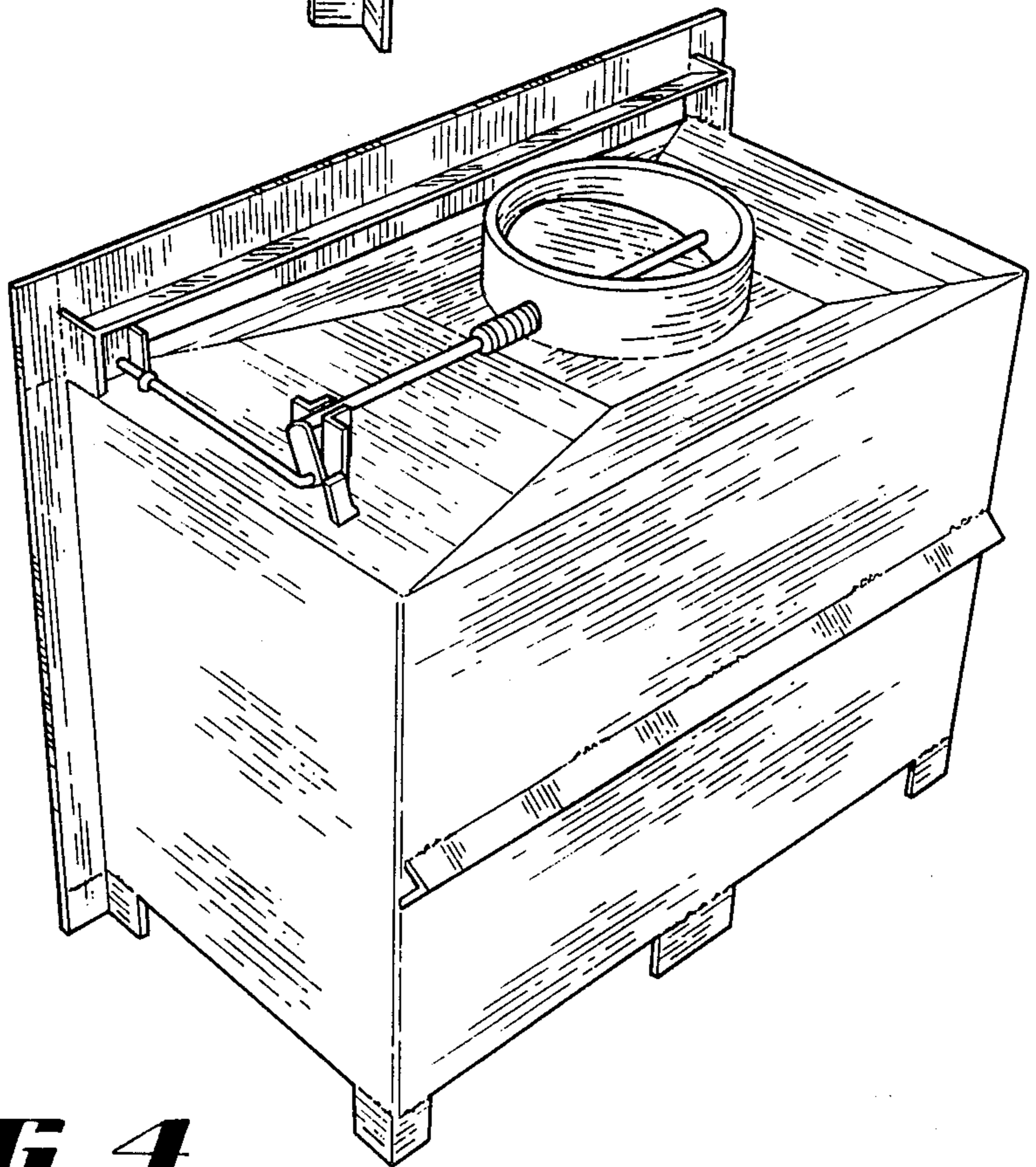


FIG 4

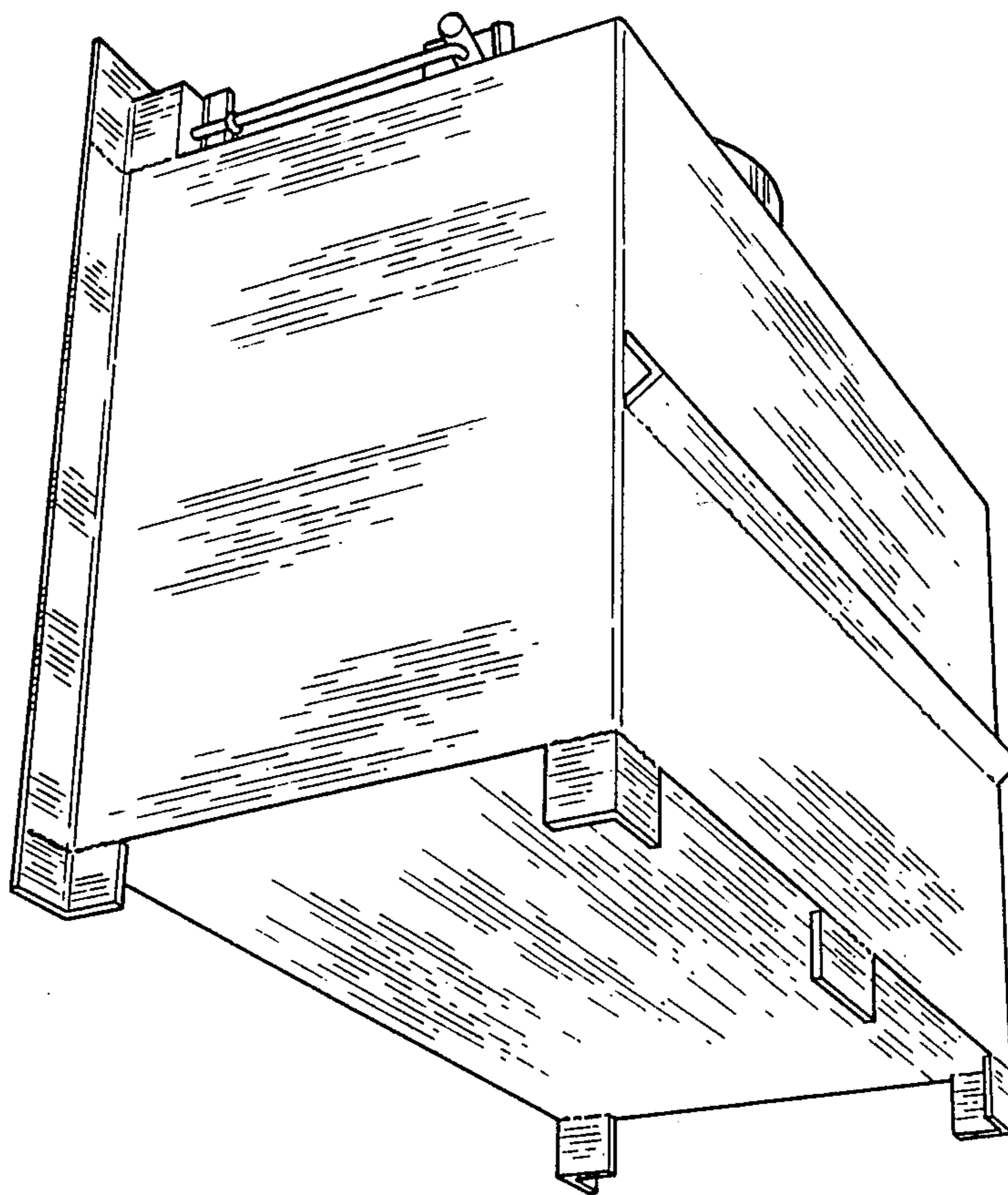


FIG 5