

[54] SPOUT

[75] Inventor: Bethany Lathrop, Los Angeles, Calif.

[73] Assignee: Aloys F. Dornbracht GmbH & Co. KG, Iserlohn, Fed. Rep. of Germany

[**] Term: 14 Years

[21] Appl. No.: 823,375

[22] Filed: Jan. 28, 1986

[30] Foreign Application Priority Data

Jul. 29, 1985 [FR] France 85 3654

Oct. 9, 1985 [FR] France 85 4715

[52] U.S. Cl. D23/257

[58] Field of Search D23/238-243, D23/255-257; 4/191, 192; 137/603, 606, 801

[56] References Cited

U.S. PATENT DOCUMENTS

- D. 193,885 10/1962 Andrews D23/238
- D. 253,607 12/1979 Haug D23/238
- D. 281,096 10/1985 Arnold et al. D23/238
- D. 291,232 8/1987 Haug et al. D23/238
- D. 291,234 8/1987 Bergmann et al. D23/238
- D. 291,590 8/1987 Bengtsson D23/238
- D. 294,631 3/1988 Bourbon D23/241
- 3,726,318 4/1973 Hyde 247/801 X

Primary Examiner—James R. Largen

Attorney, Agent, or Firm—Tarolli, Sundheim & Covell

[57] CLAIM

The ornamental design for a spout, as shown and described.

DESCRIPTION

FIG. 1 is a perspective view taken from the top, front and left side of a spout showing my new design;

FIG. 2 is a left side elevational view thereof, the right side being a mirror image of the left shown;

FIG. 3 is a front elevational view thereof;

FIG. 4 is a bottom plan view thereof;

FIG. 5 is a perspective view taken from the top, front and left side of a modified form of the spout shown in FIG. 1;

FIG. 6 is a fragmentary left side elevational view of FIG. 5, the right side being the same as the left side shown;

FIG. 7 is a fragmentary front elevational view of FIG. 5, the rear being the same as the front shown;

FIG. 8 is a perspective view taken from the top, front and left side of a second modified form of the spout shown in FIG. 1;

FIG. 9 is a perspective view taken from the top, front and left side of a third modified form of the spout shown in FIG. 1;

FIG. 10 is a left side elevational view of a fourth modified form of the spout shown in FIG. 1, the right side being a mirror image of the left side shown;

FIG. 11 is a front elevational view of FIG. 10;

FIG. 12 is a bottom plan view of FIG. 10;

FIG. 13 is a left side elevational view of a fifth modified form of the spout shown in FIG. 1, the right side being the same as the left side shown;

FIG. 14 is a fragmentary front elevational view of FIG. 13, the rear being the same as the front shown;

FIG. 15 is a perspective view taken from the top, front and left side of a sixth modified form of the spout shown in FIG. 1;

FIG. 16 is a left side elevational view of FIG. 15, the right side being a mirror image of the left side shown;

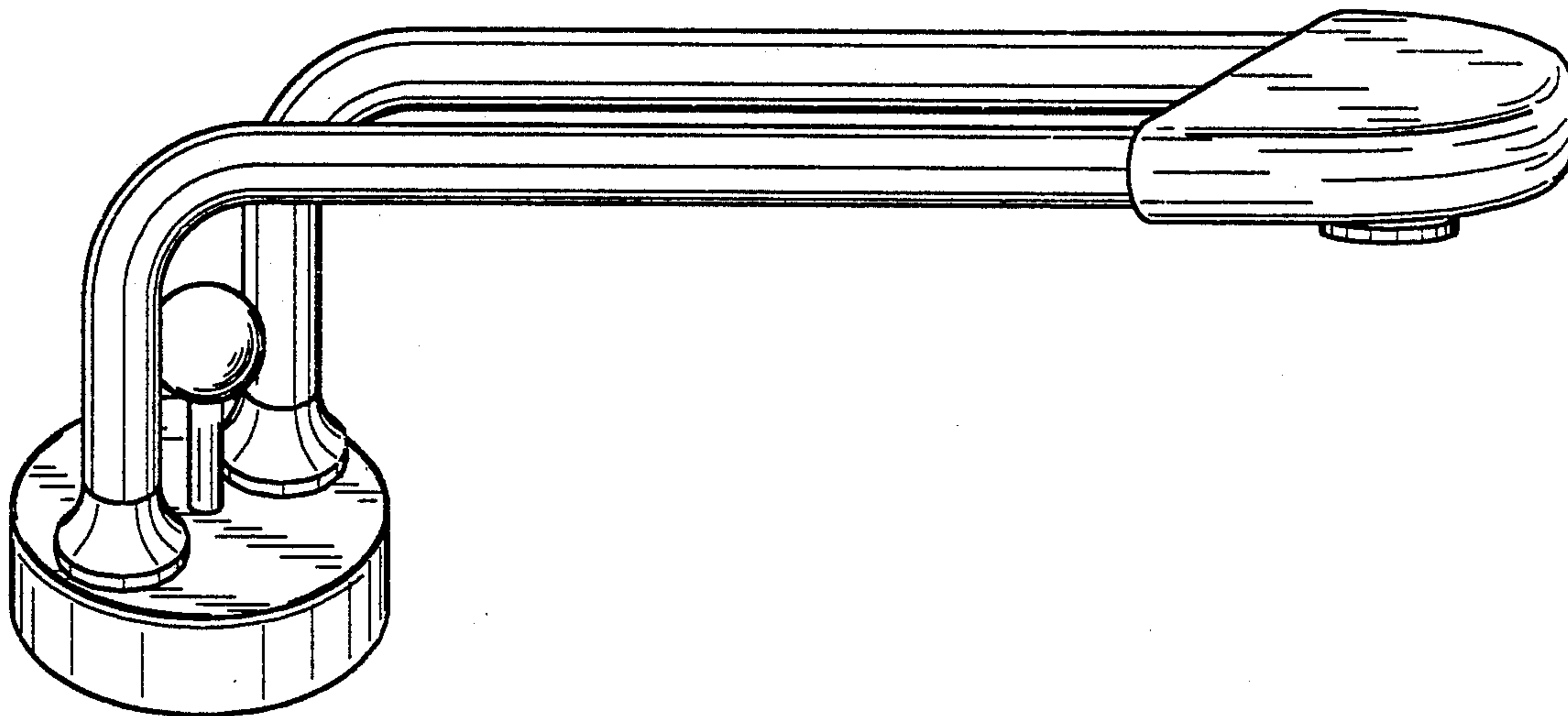
FIG. 17 is a front elevational view of FIG. 15;

FIG. 18 is a bottom plan view of FIG. 15;

FIG. 19 is a perspective view of a seventh modified form of the spout shown in FIG. 1;

FIG. 20 is a fragmentary left side elevational view of FIG. 19, the right side being a mirror image of the left side shown; and,

FIG. 21 is a fragmentary top plan view of FIG. 19, the bottom being the same as the top shown.



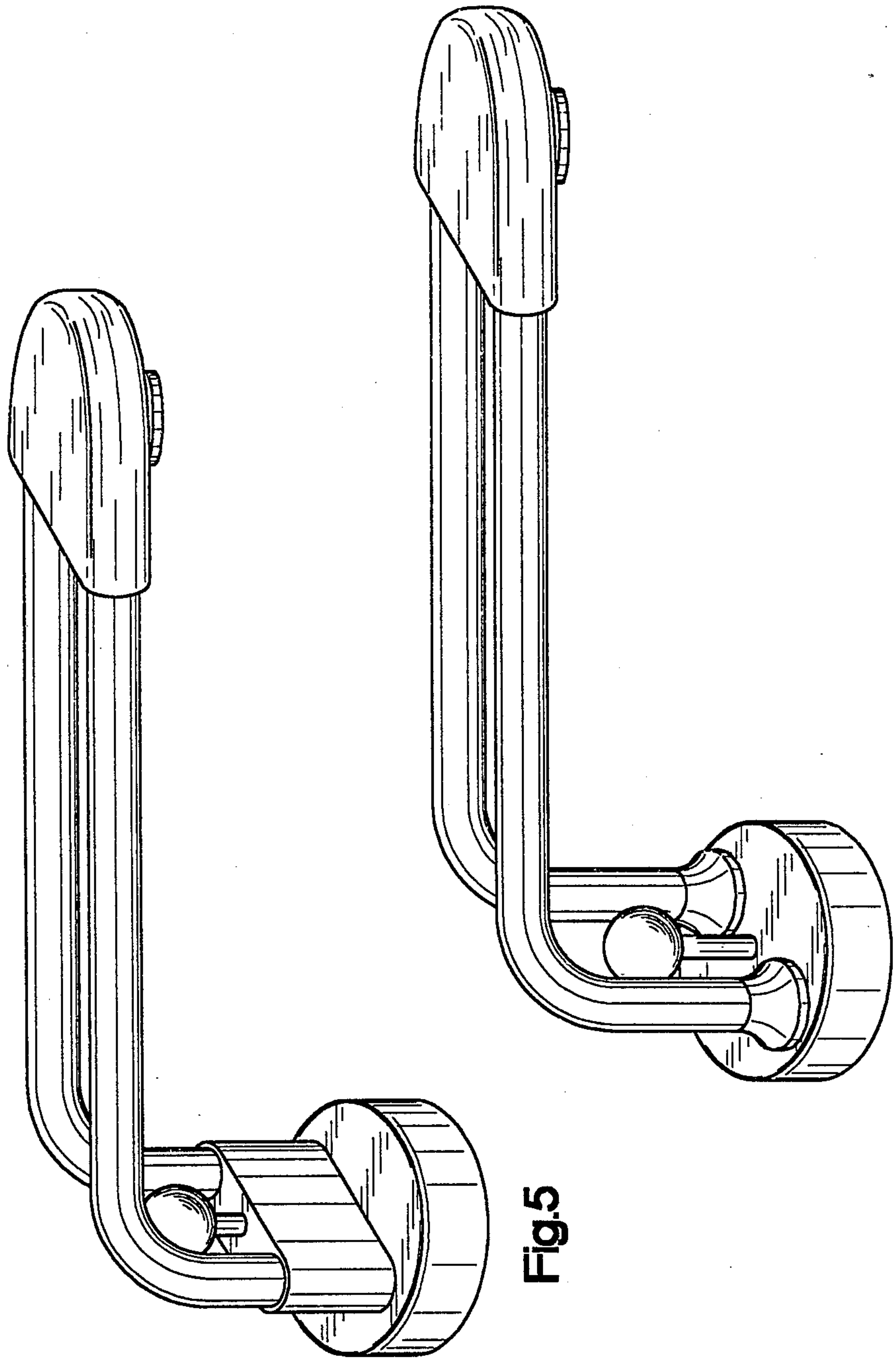


Fig.1

Fig.5

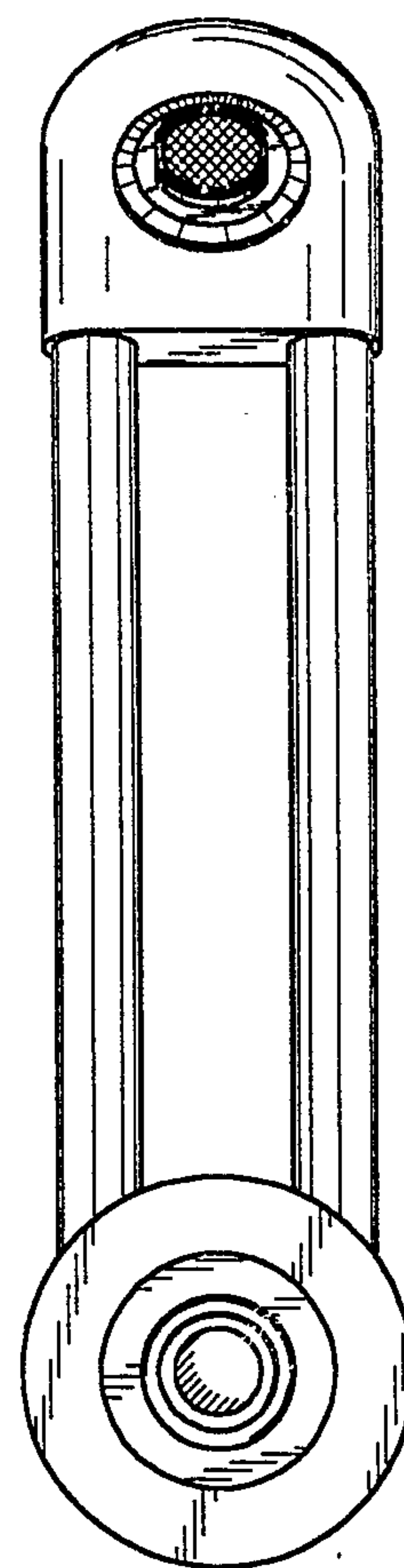
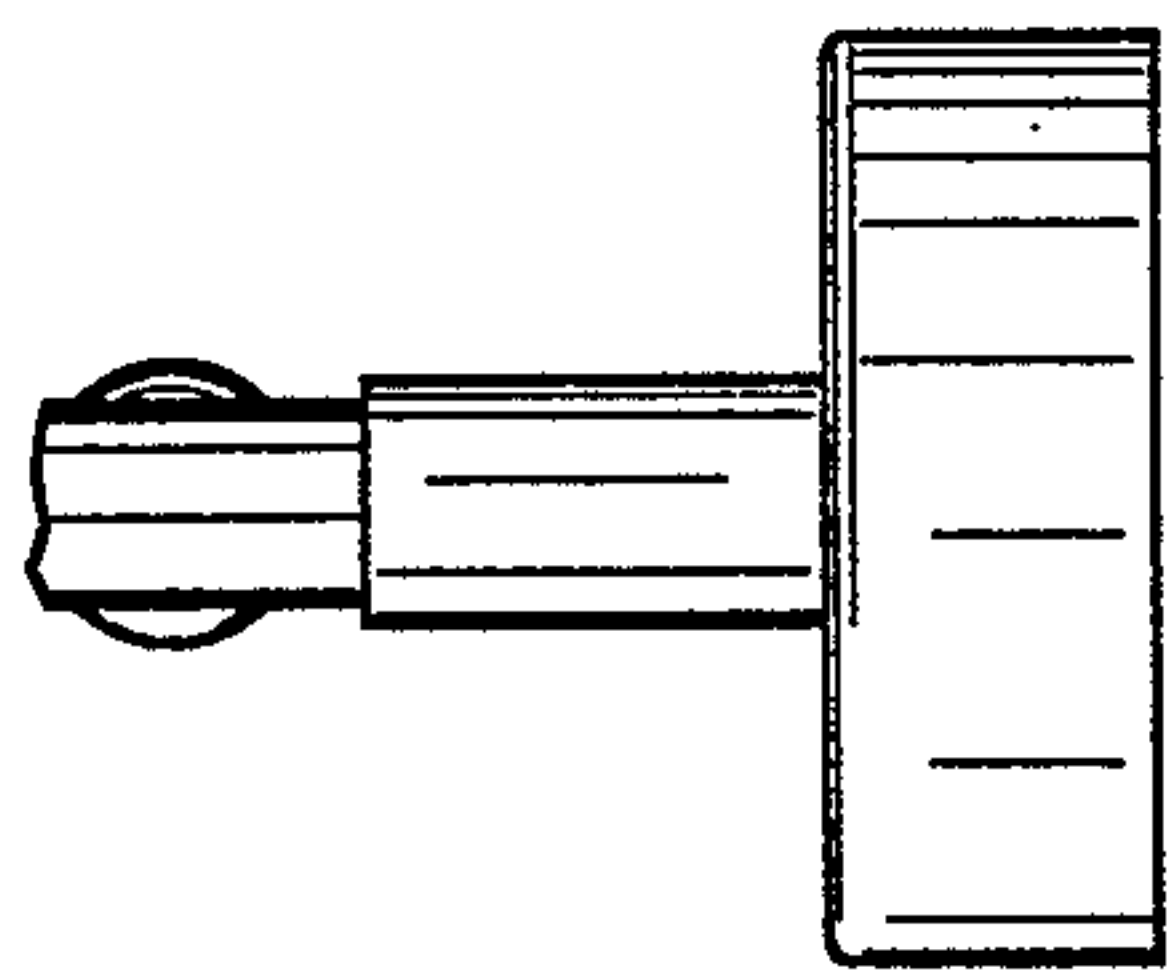
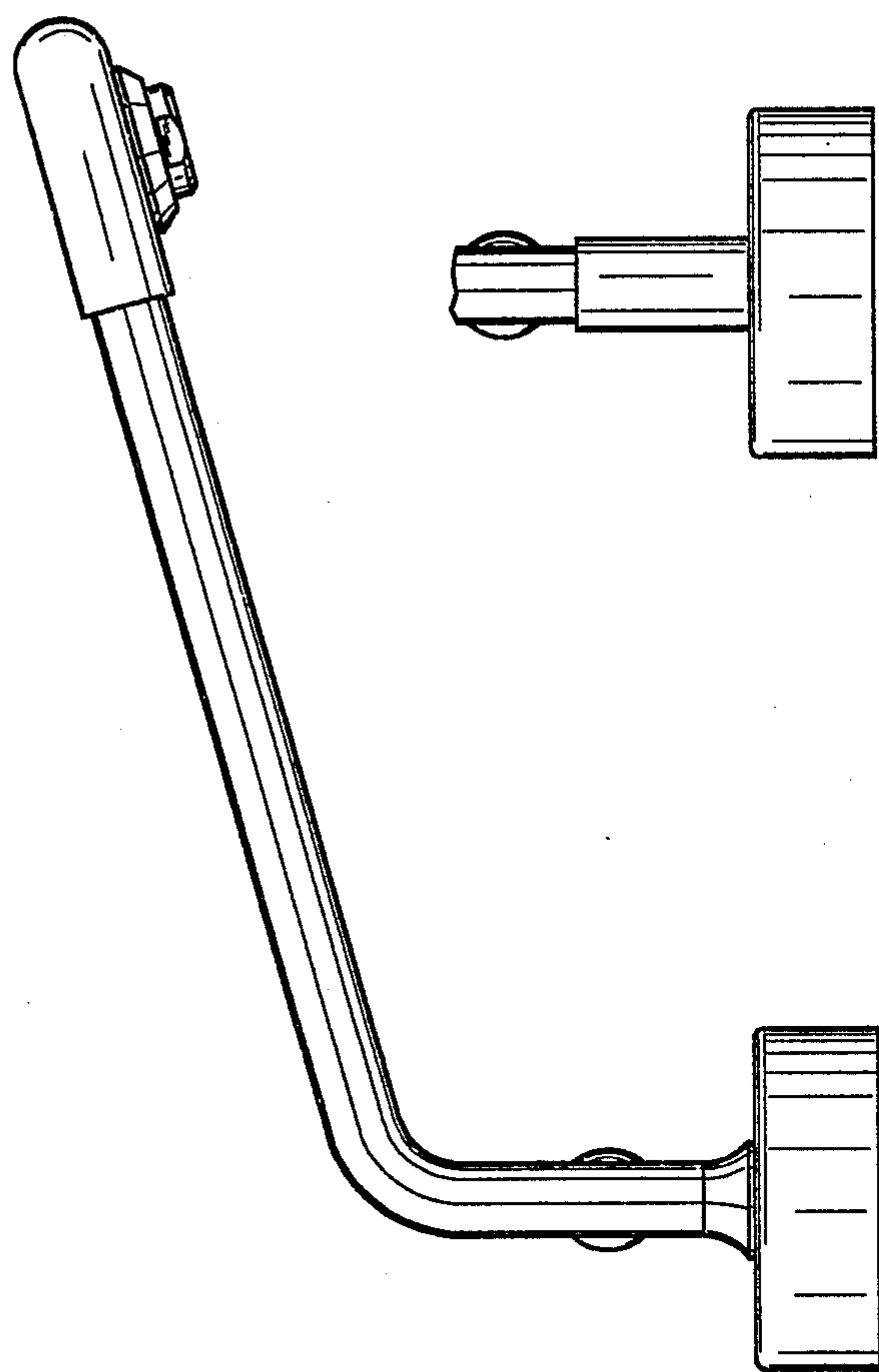
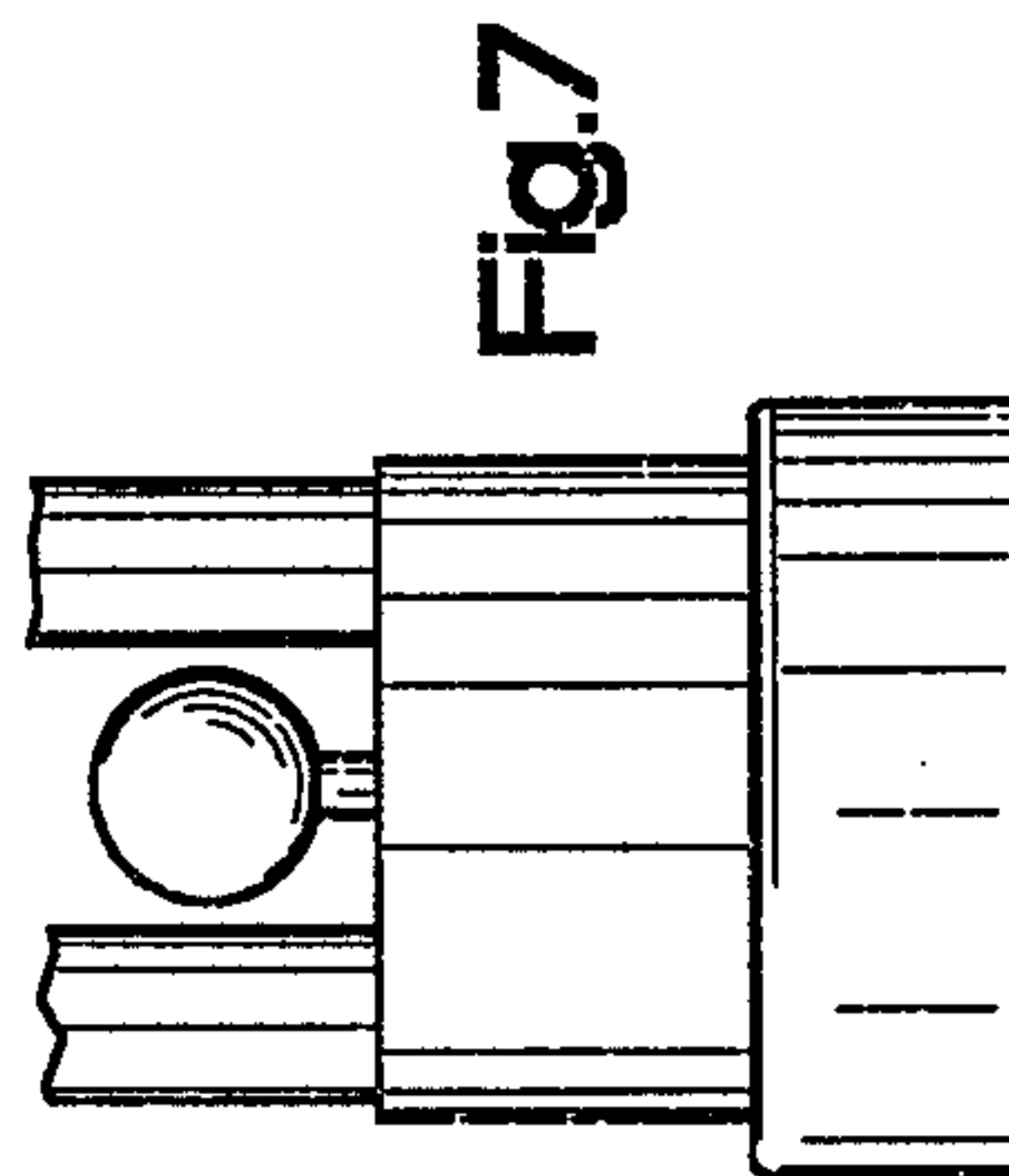
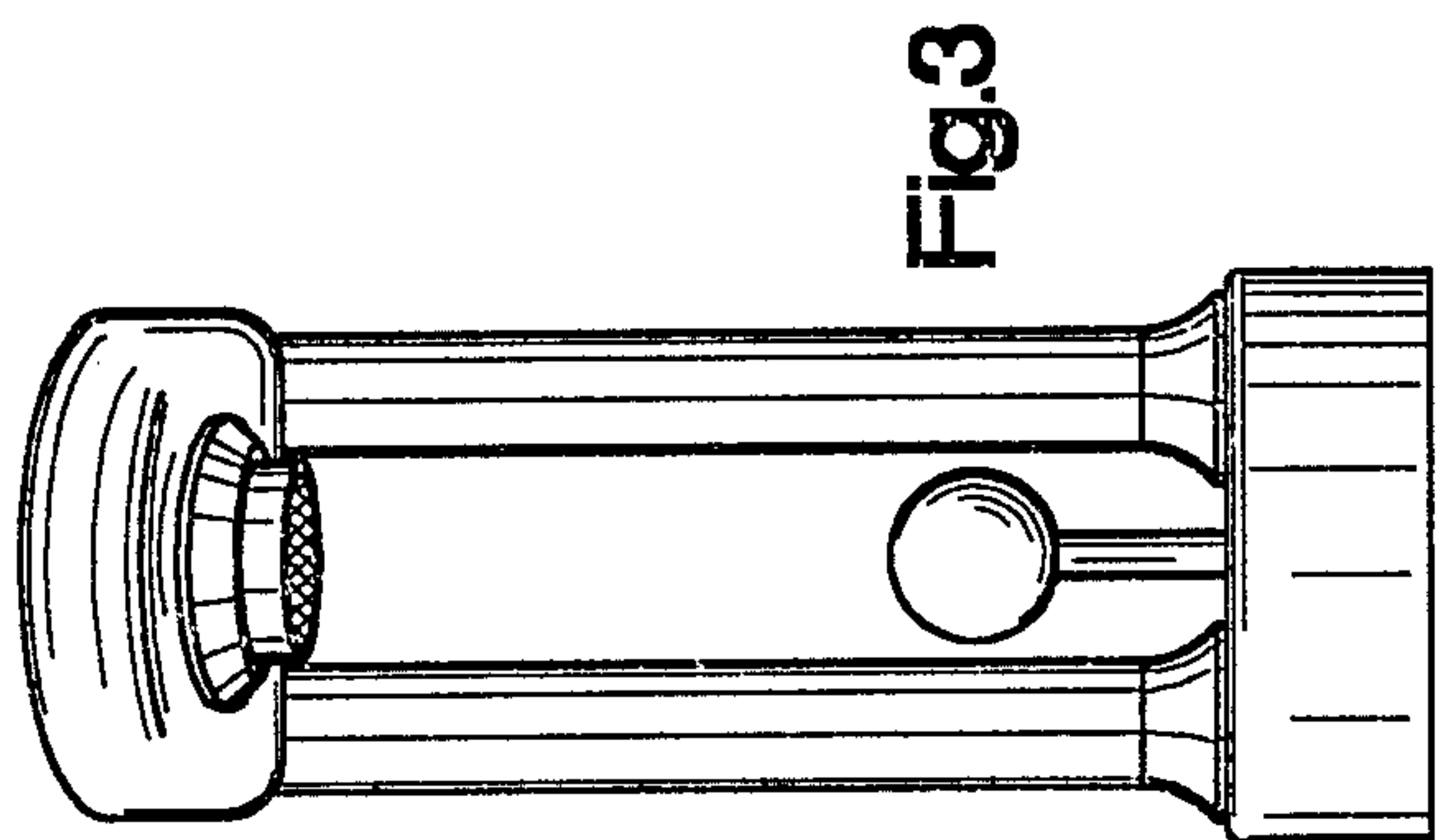


Fig. 6

Fig. 2

Fig. 4

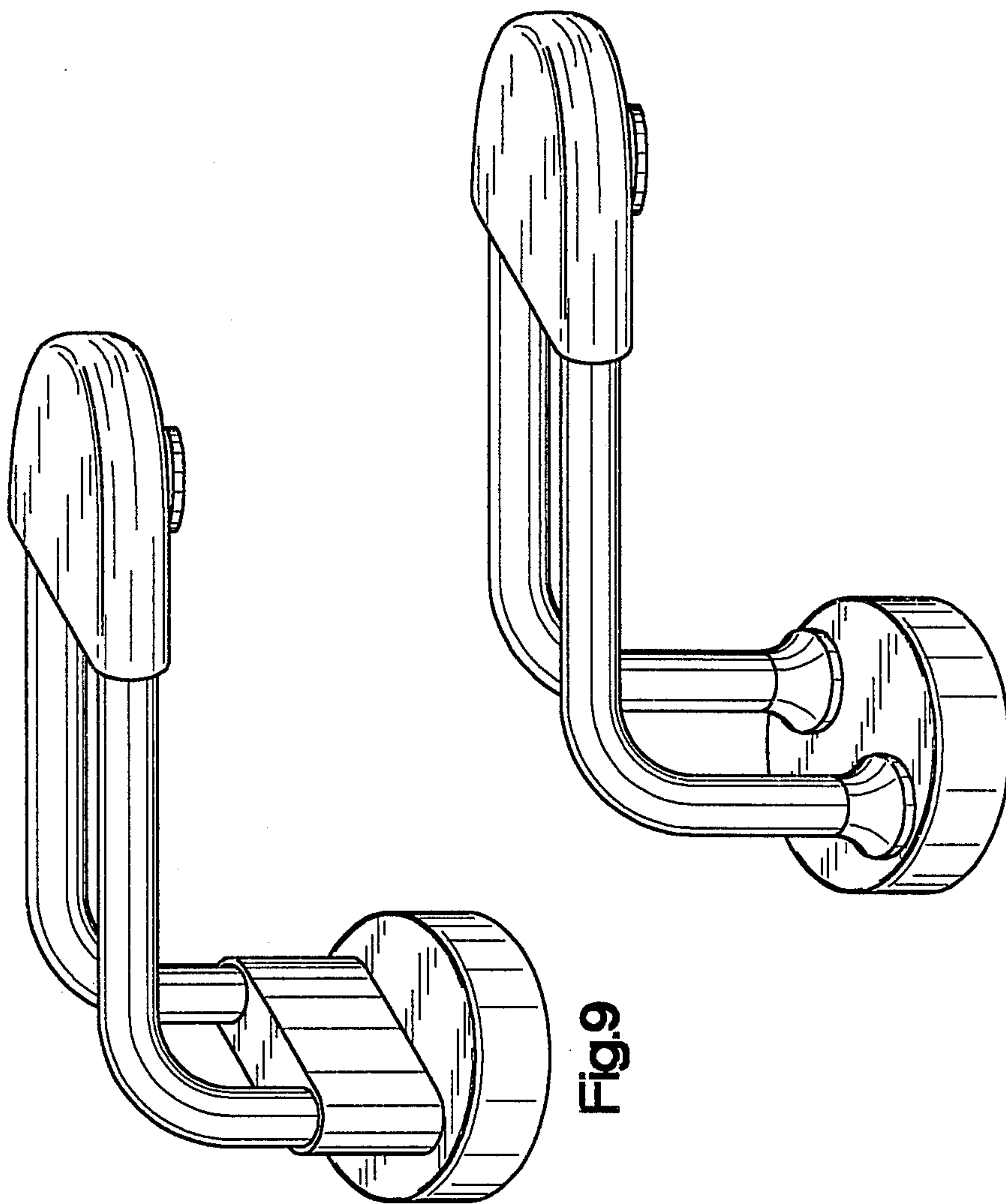
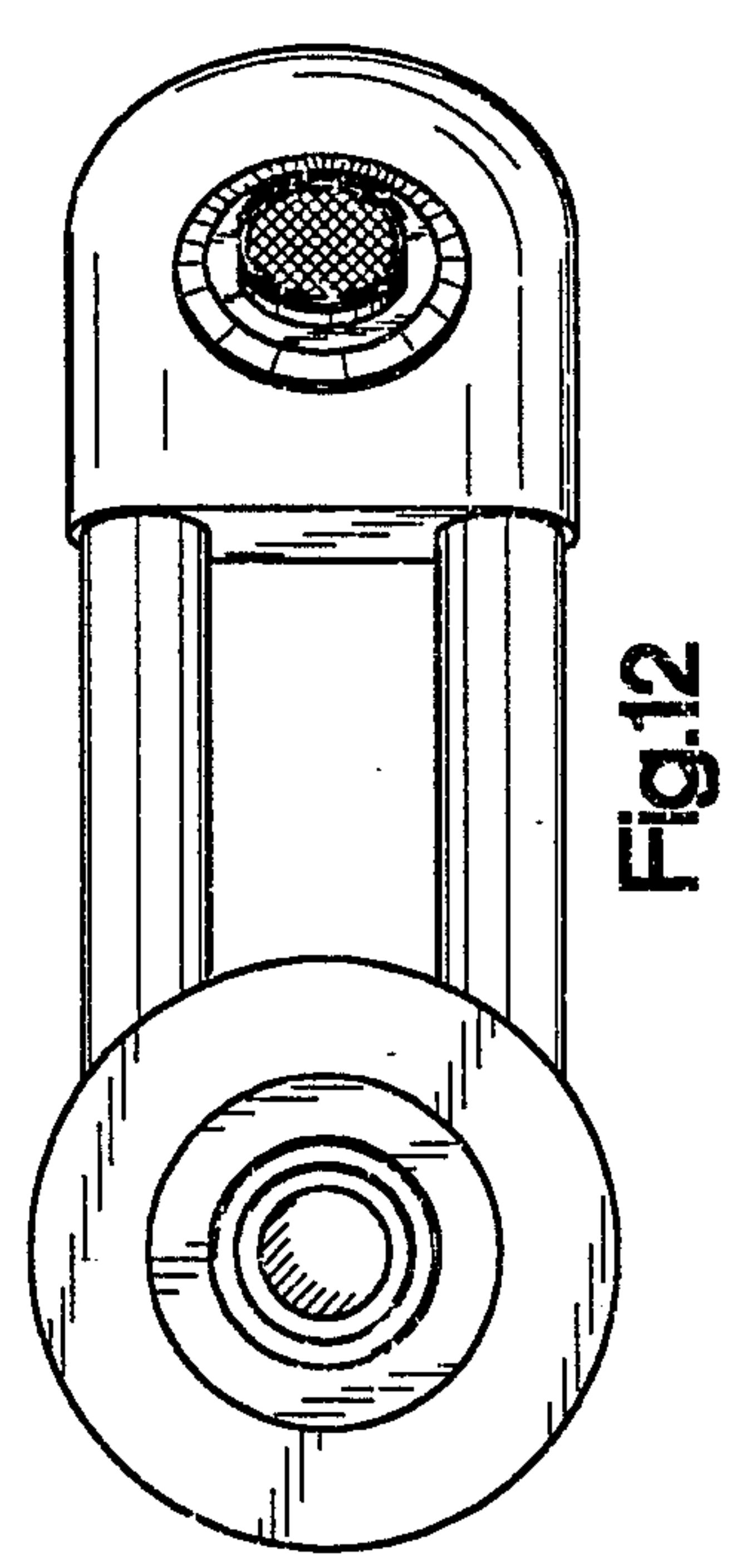
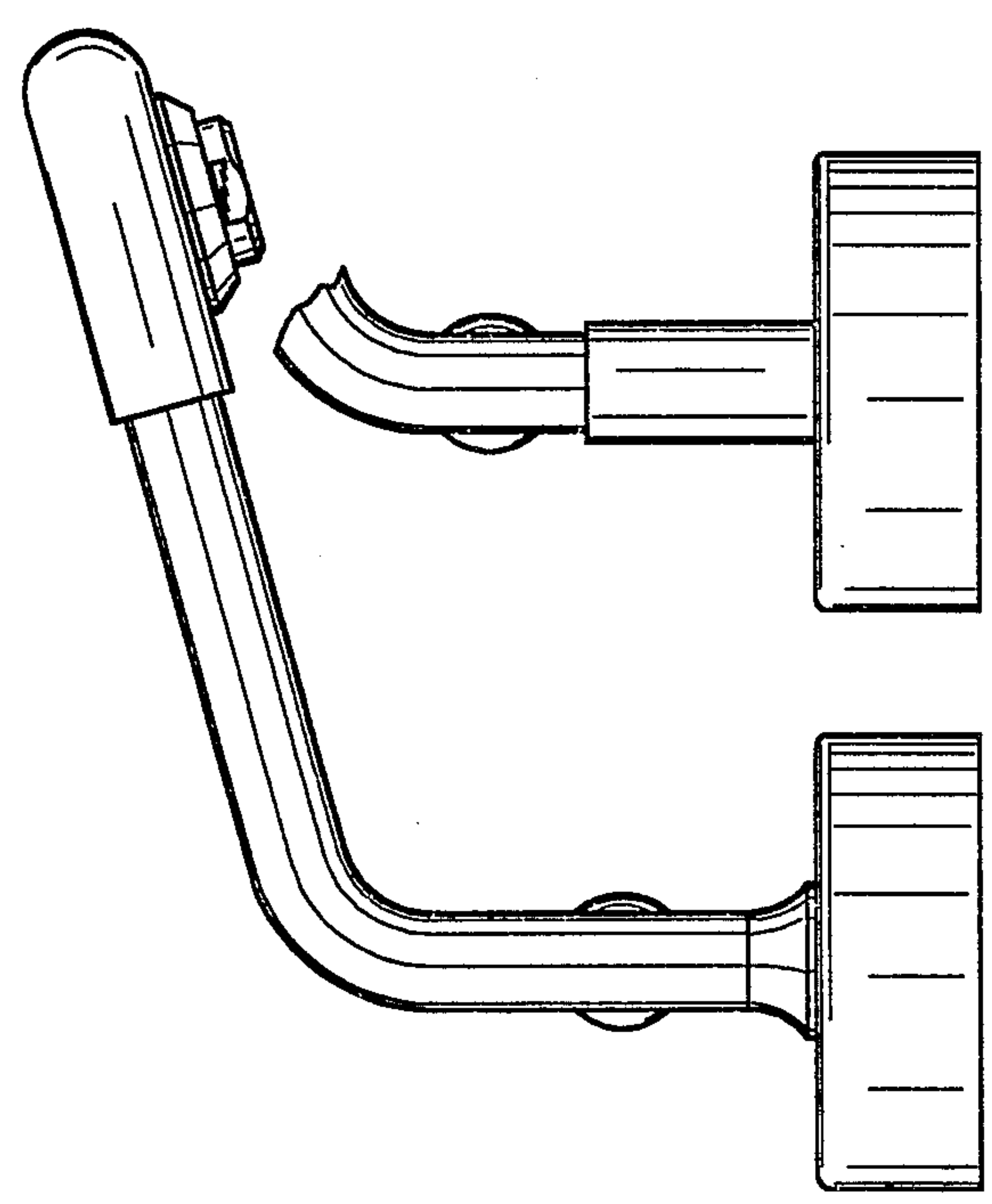
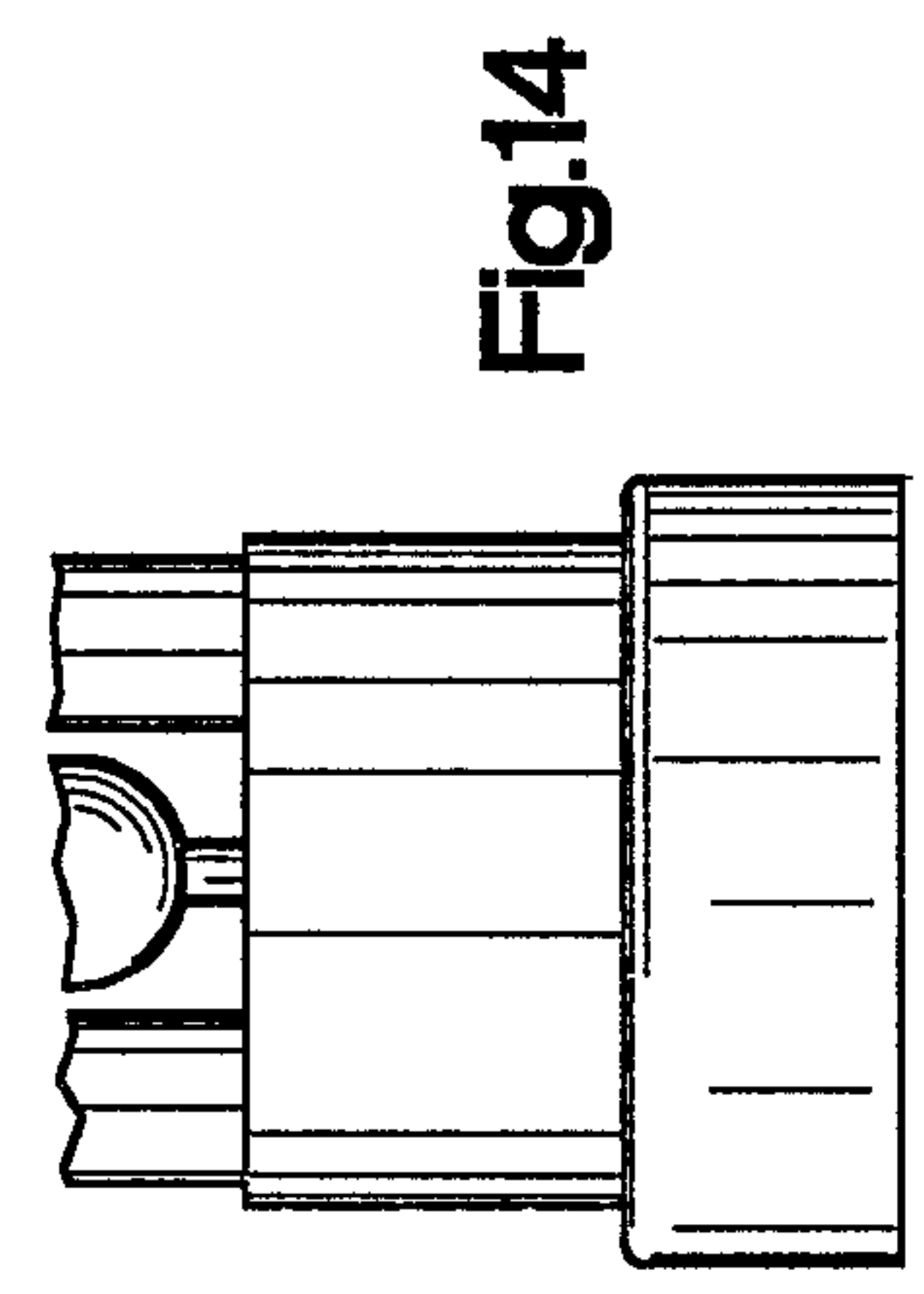
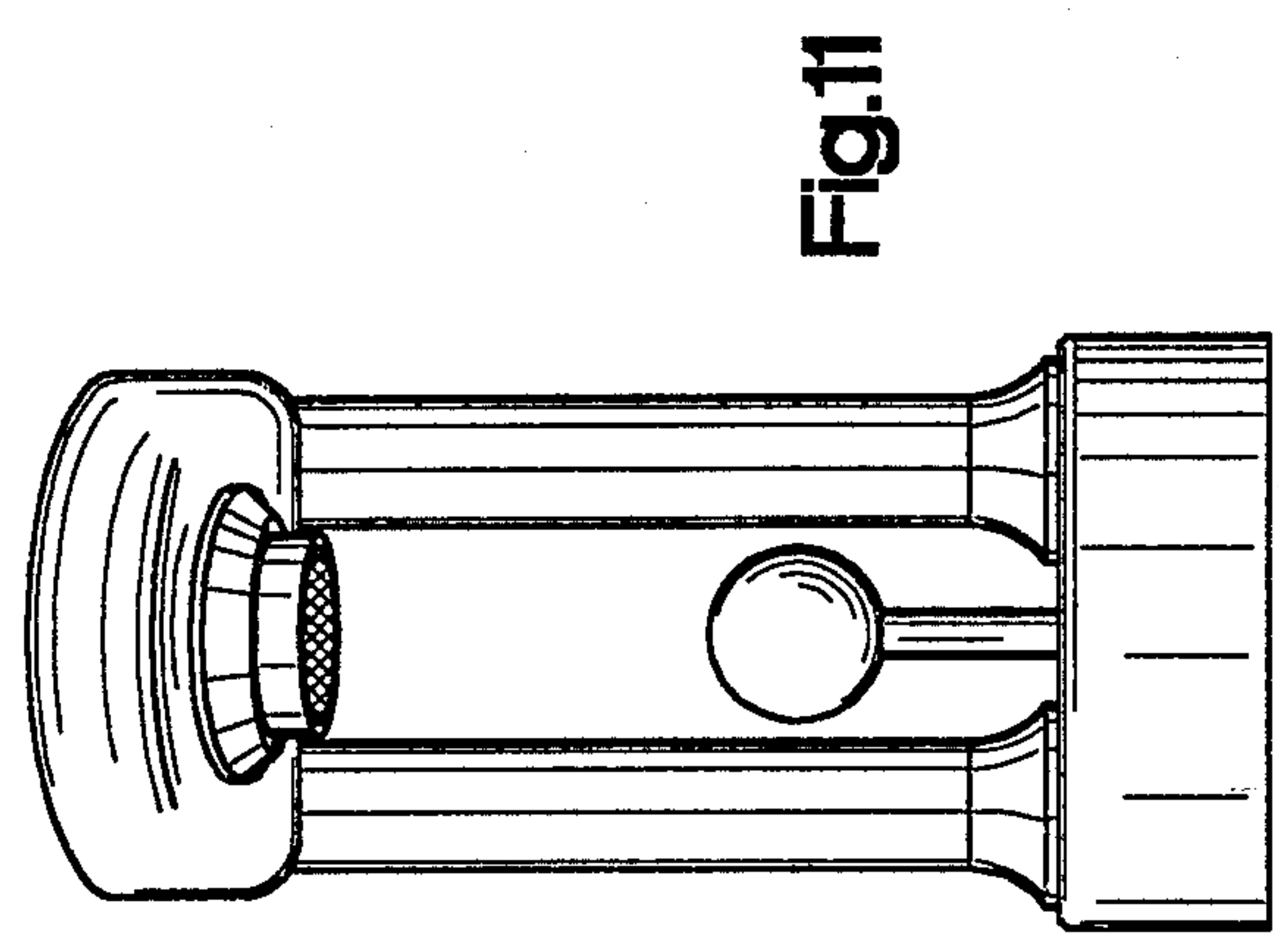


Fig.8

Fig.9



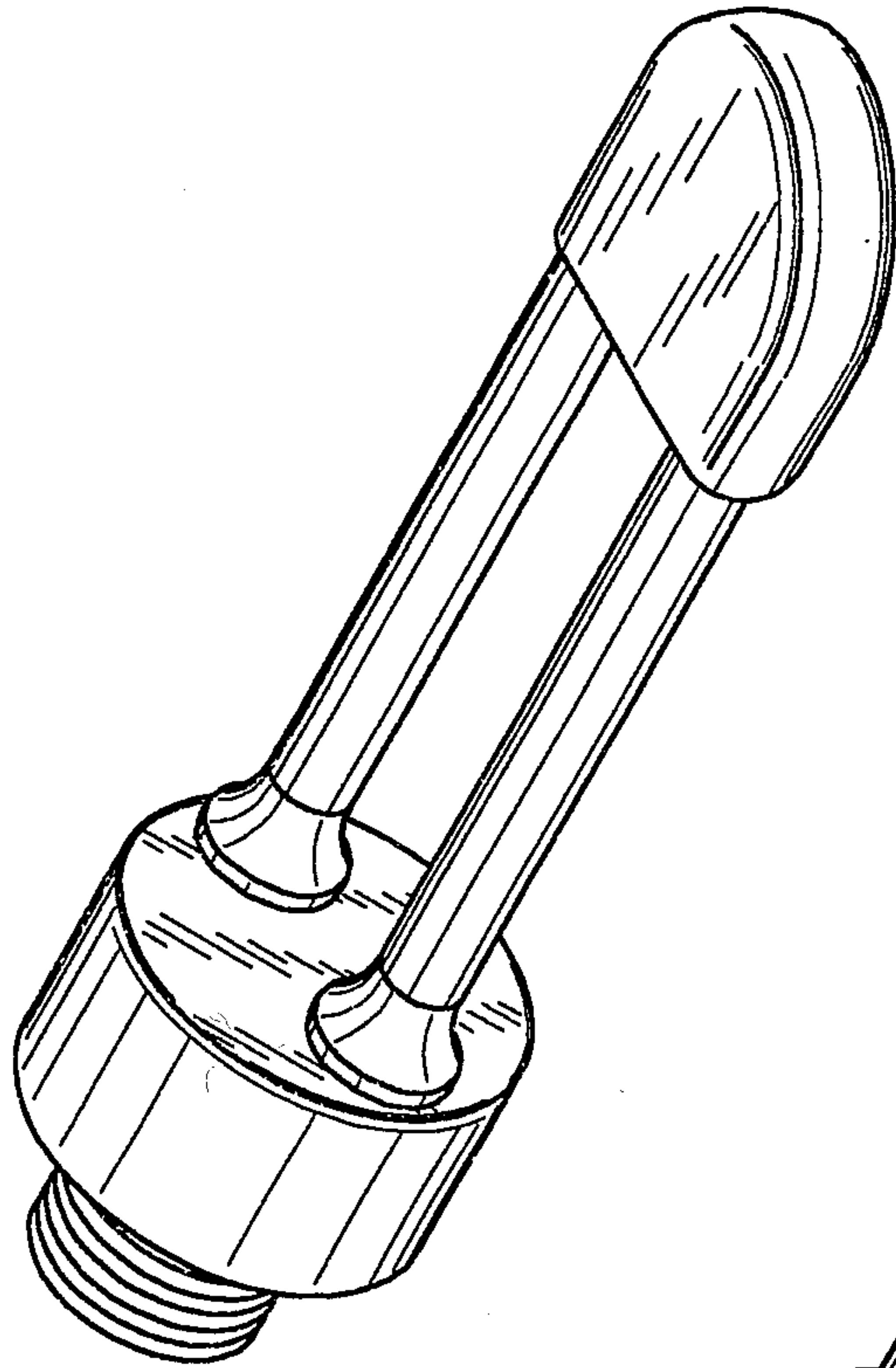


Fig.15

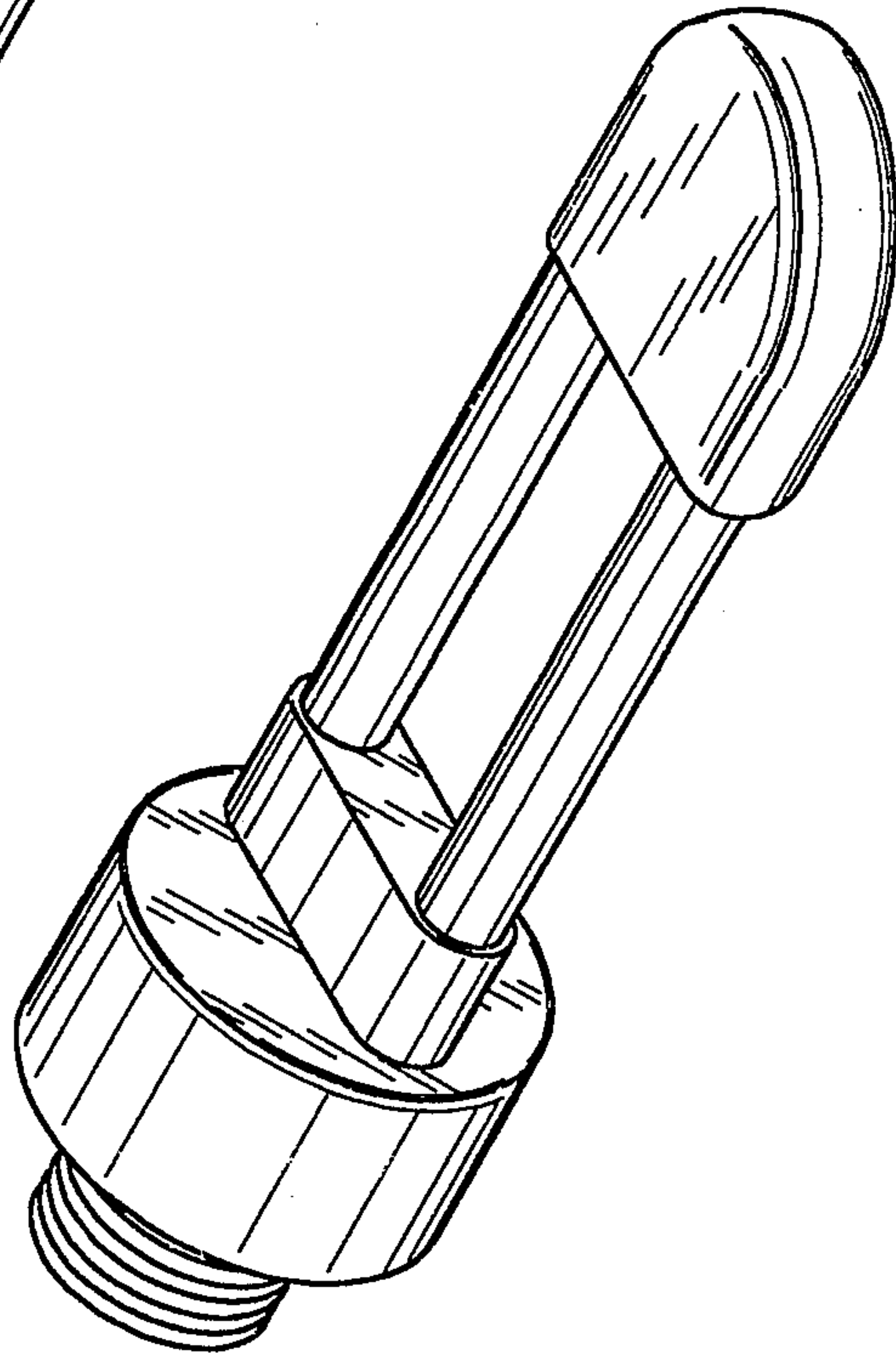


Fig.19

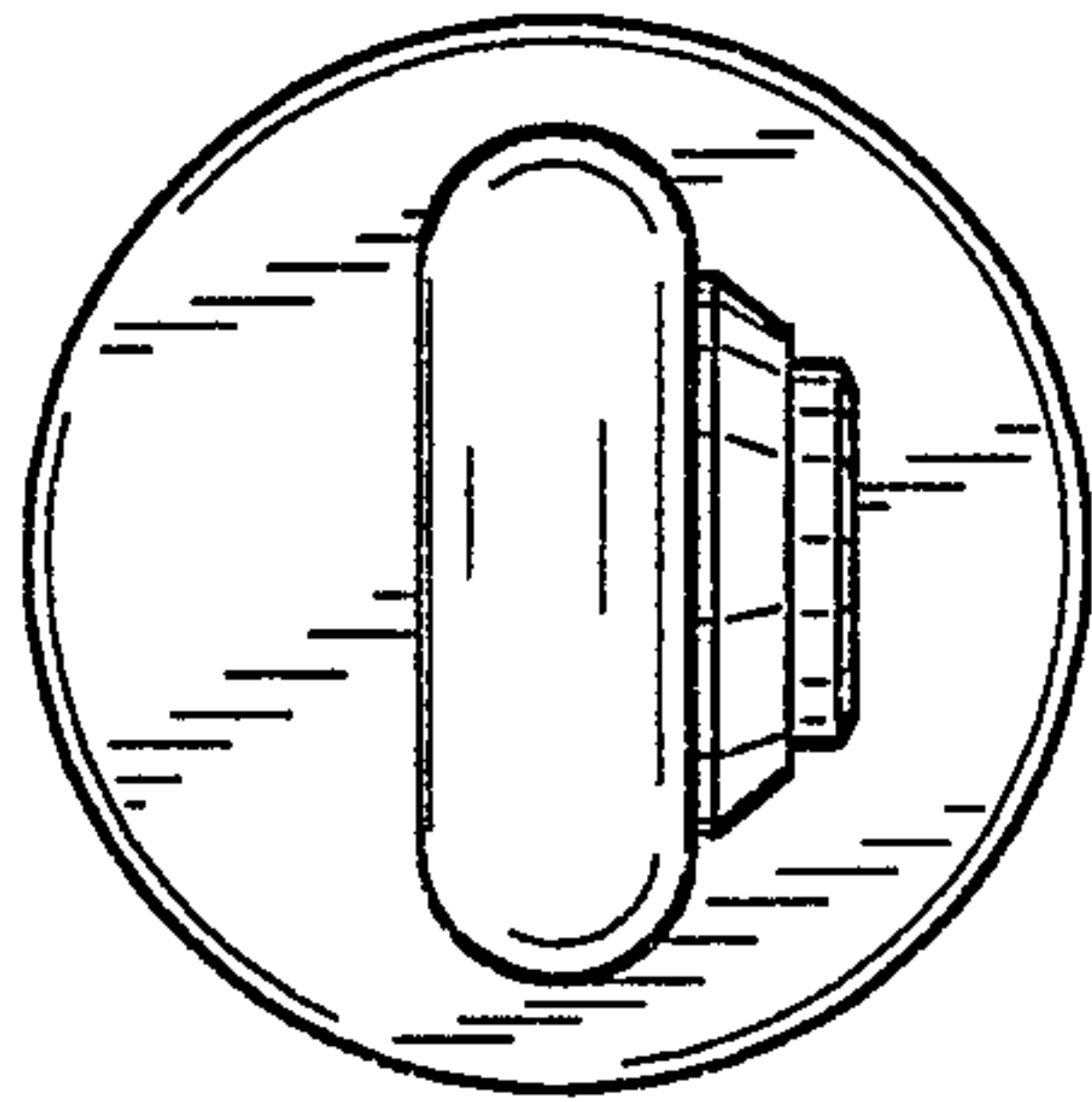


Fig.17

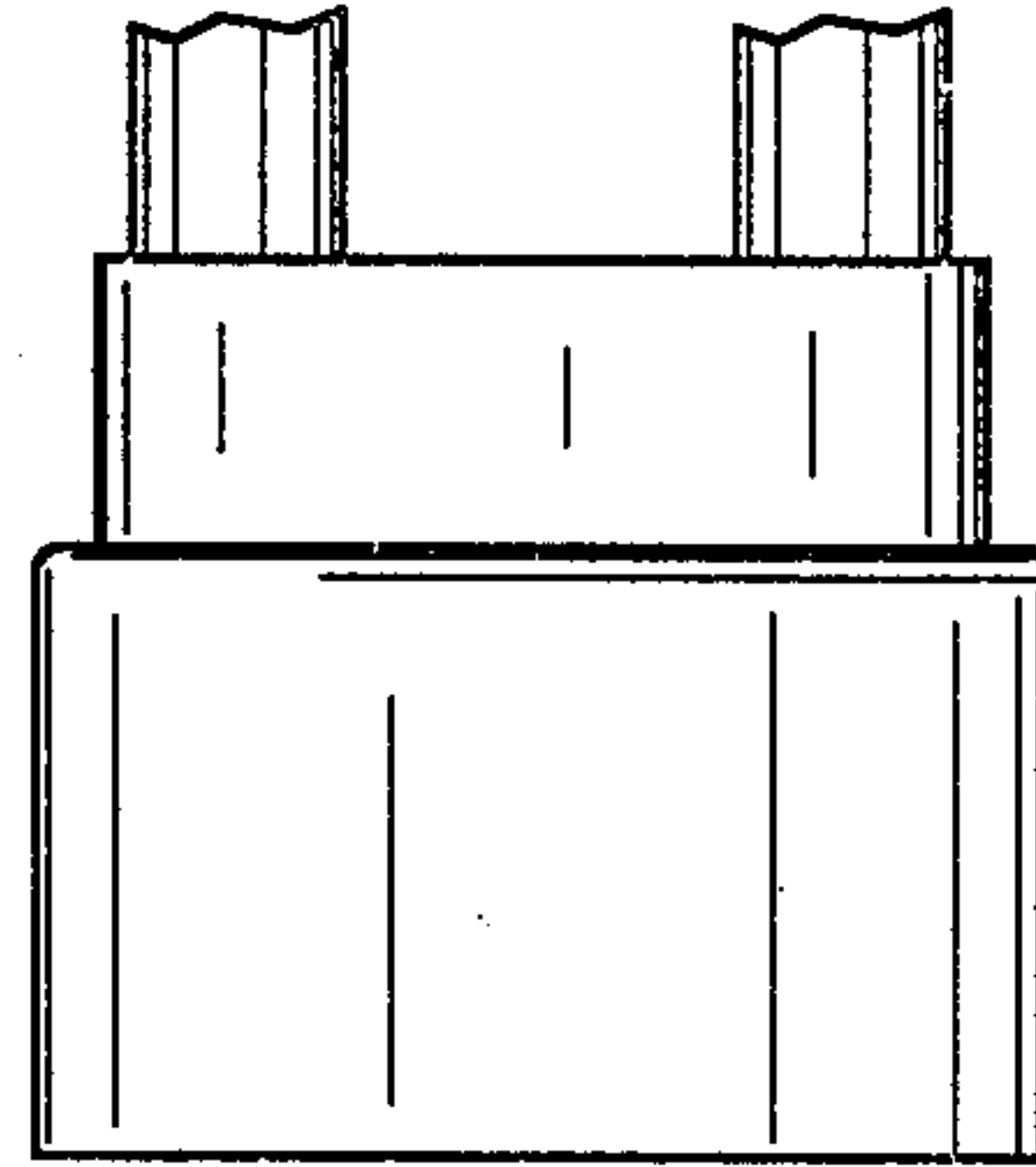


Fig.21

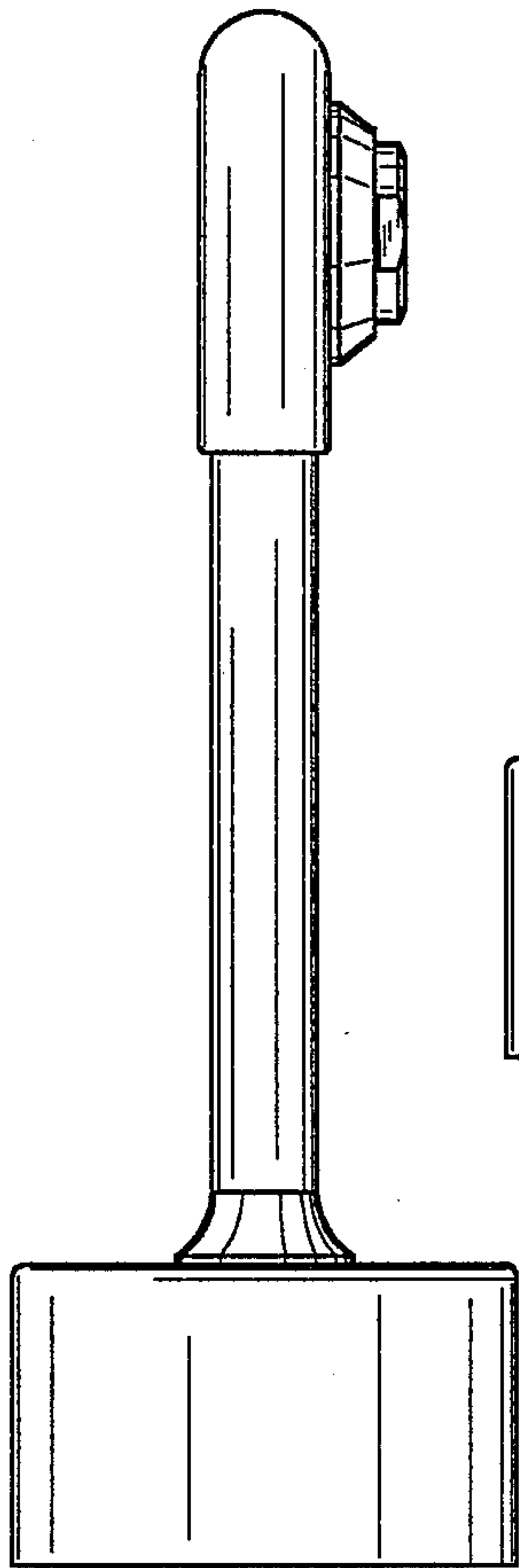


Fig.16

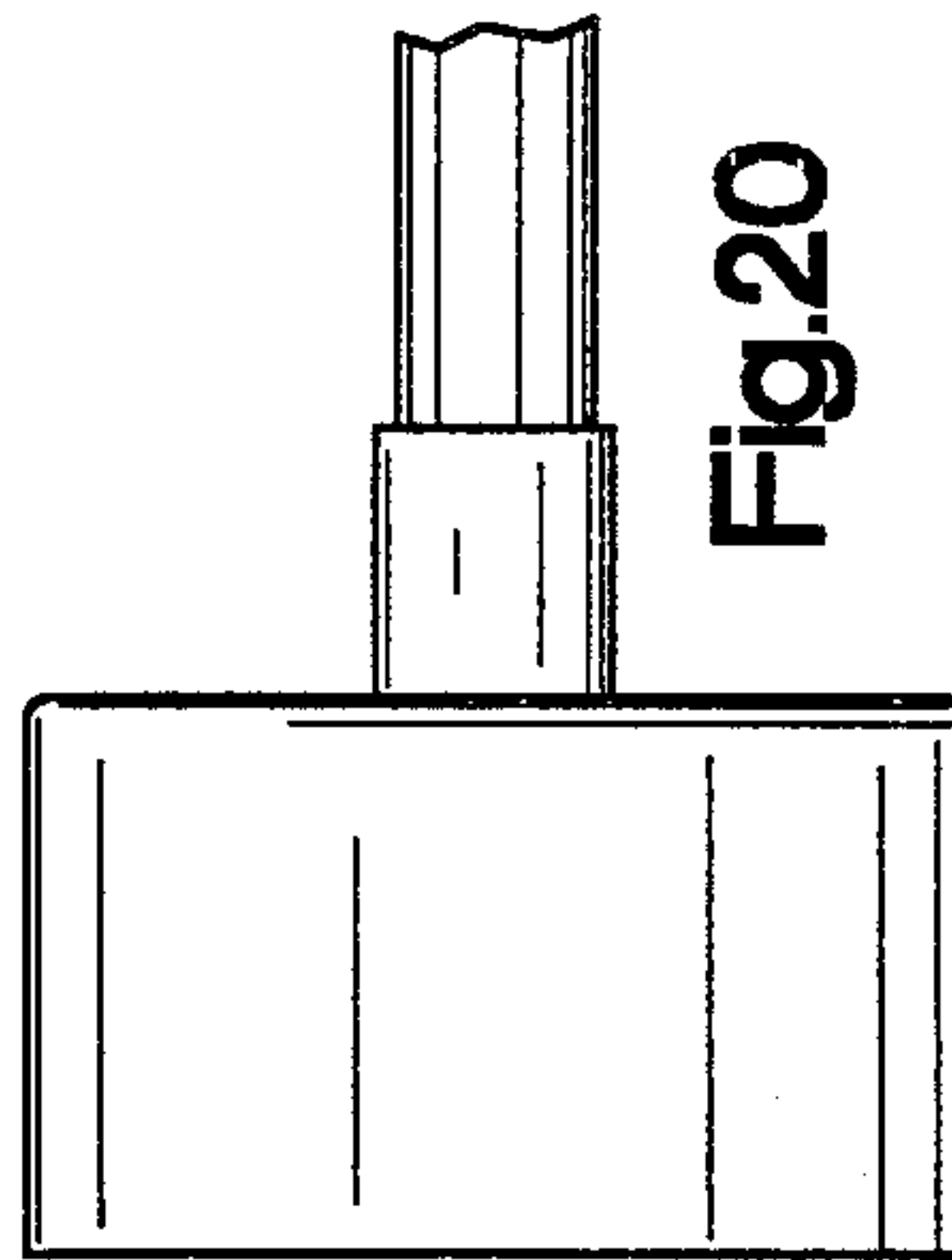


Fig.20

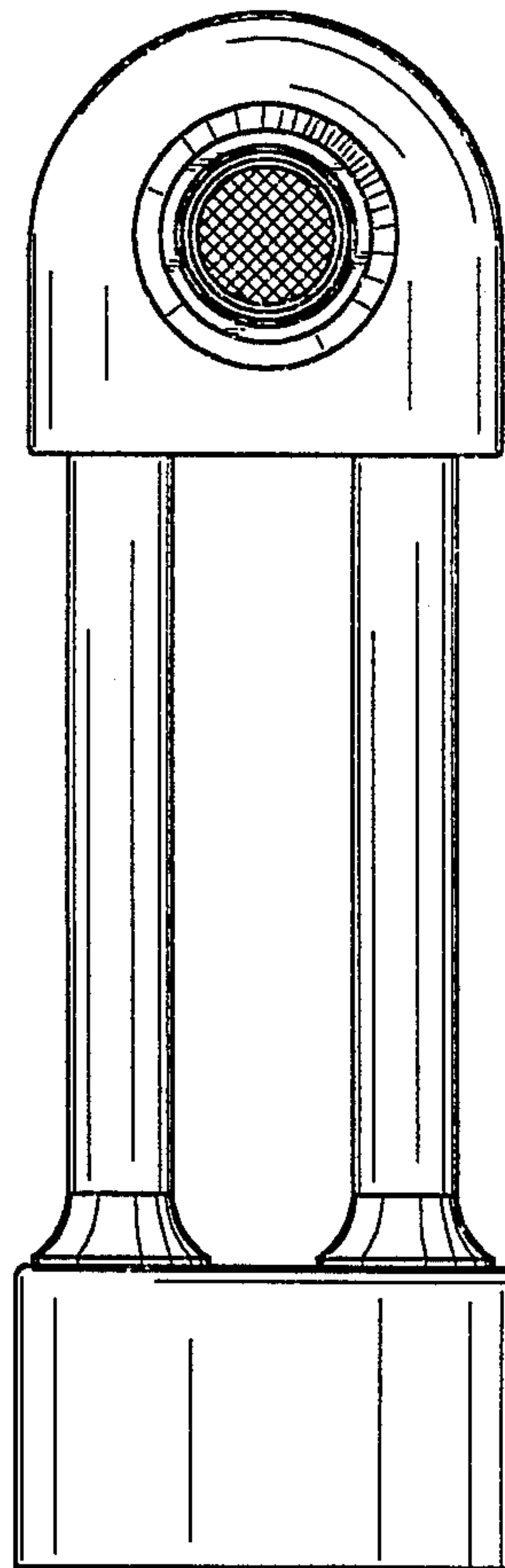


Fig.18