

[54] FLOW CONTROL VALVE FOR LAWN SPRINKLER

[75] Inventors: Dennis A. Wilson, Wauconda Township, Lake County; Dennis W. Anesi, Rolling Meadows; Mark S. Williamsen, Evanston, all of Ill.

[73] Assignee: Ansan Industries Ltd., Harwood Heights, Ill.

[**] Term: 14 Years

[21] Appl. No.: 858,233

[22] Filed: Apr. 28, 1986

[52] U.S. Cl. D23/245

[58] Field of Search D23/233-237, D23/244-249; 251/624.11, 624.15; 239/69

[56] References Cited

U.S. PATENT DOCUMENTS

- D. 191,294 9/1961 Charnota D23/246
- D. 208,451 8/1967 Anesi D23/245
- D. 235,145 5/1975 Fernandez D23/245
- D. 247,717 4/1978 Sturman et al. .
- D. 289,431 4/1987 Clirio et al. D23/246
- 2,478,702 8/1949 Moody 137/624.15
- 2,846,119 8/1958 Robbins 137/599
- 3,097,762 7/1963 Charnota et al. .
- 3,187,943 6/1965 Wolf .
- 3,473,695 10/1969 Anesi 137/624.11 X
- 3,915,185 10/1975 Sanner .
- 3,921,667 11/1975 Corliss et al. 137/624.15
- 4,012,673 3/1977 Saarem et al. .

- 4,108,419 8/1978 Sturman et al. 137/624.15 X
- 4,114,647 9/1978 Sturman et al. .
- 4,592,505 6/1986 Bruninga et al. 239/69
- 4,633,905 1/1987 Wang 239/69 X
- 4,708,264 11/1987 Bruninga 137/624.11 X
- 4,722,478 2/1988 Fletcher et al. 239/69
- 4,797,820 1/1989 Wilson et al. 239/69 X
- 4,807,664 2/1989 Wilson et al. 137/624.11

Primary Examiner—James R. Largen
Attorney, Agent, or Firm—Mathew R. P. Perrone, Jr.

[57] CLAIM

The ornamental design for a flow control valve for lawn sprinklers, as shown and described.

DESCRIPTION

FIG. 1 is a top perspective view of a flow control valve for lawn sprinklers, with the cover in an open position, showing our new design;

FIG. 2 is another top perspective view thereof, showing the cover in its closed position;

FIG. 3 is a bottom perspective view of FIG. 2;

FIG. 4 is a top plan view of FIG. 2;

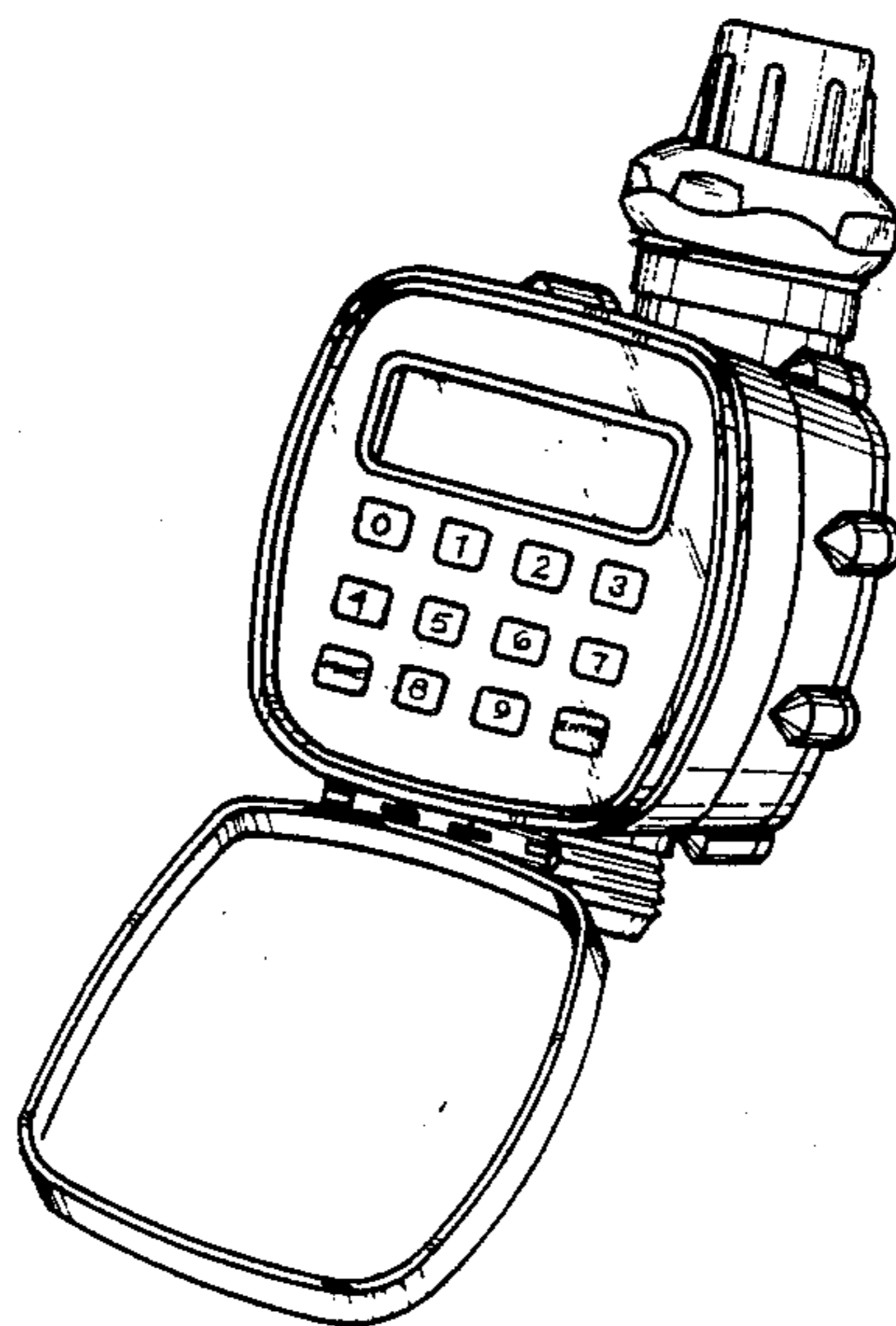
FIG. 5 is a side elevational view of FIG. 2, the opposite side being a mirror image of the side shown;

FIG. 6 is an elevational view taken from the end shown in FIG. 2;

FIG. 7 is an elevational view taken from the end opposite that shown in FIG. 6;

FIG. 8 is a bottom plan view of FIG. 2; and

FIG. 9 is an enlarged top plan view of the top portion of the valve with the cover in a open position and broken away.



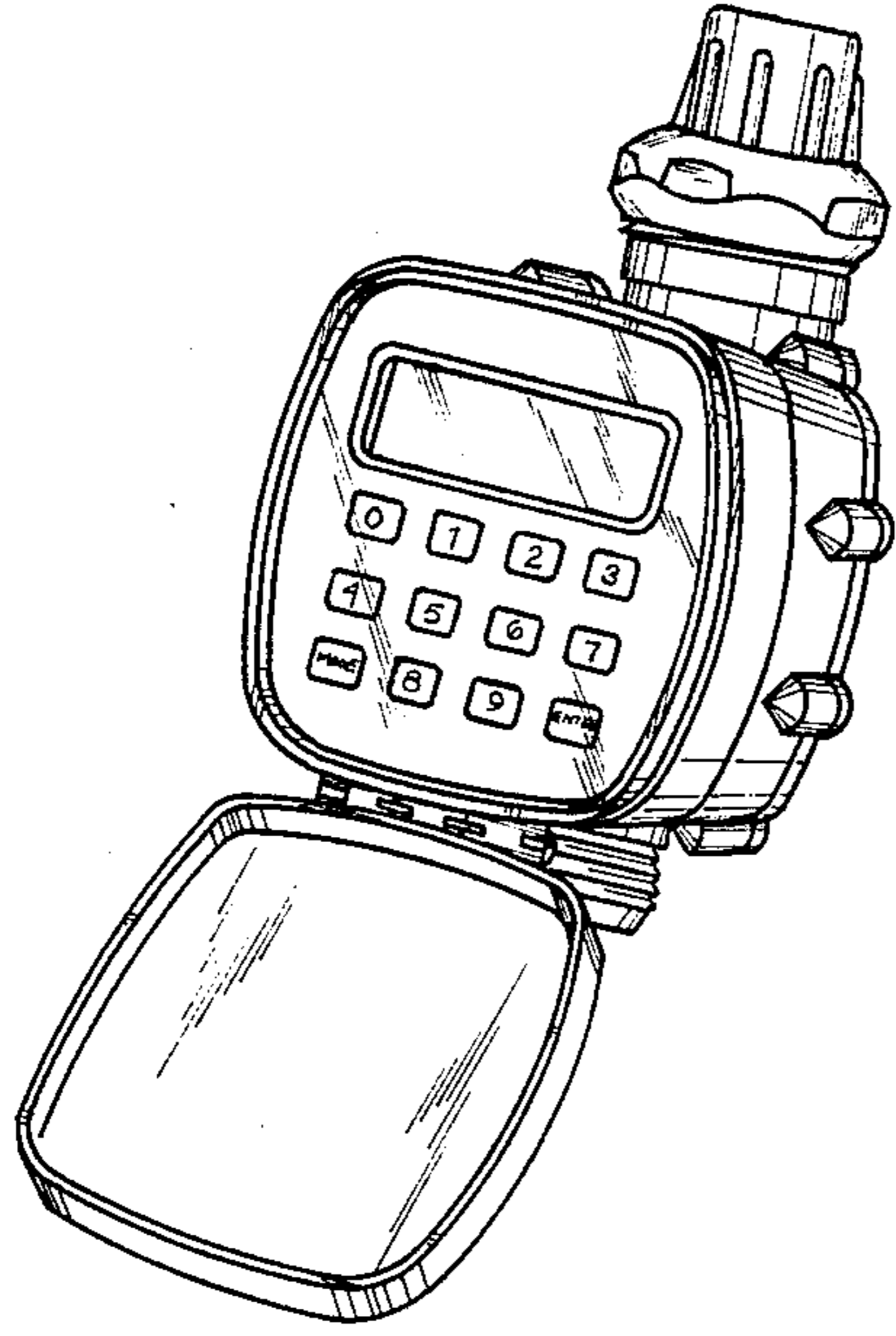


Fig. 1

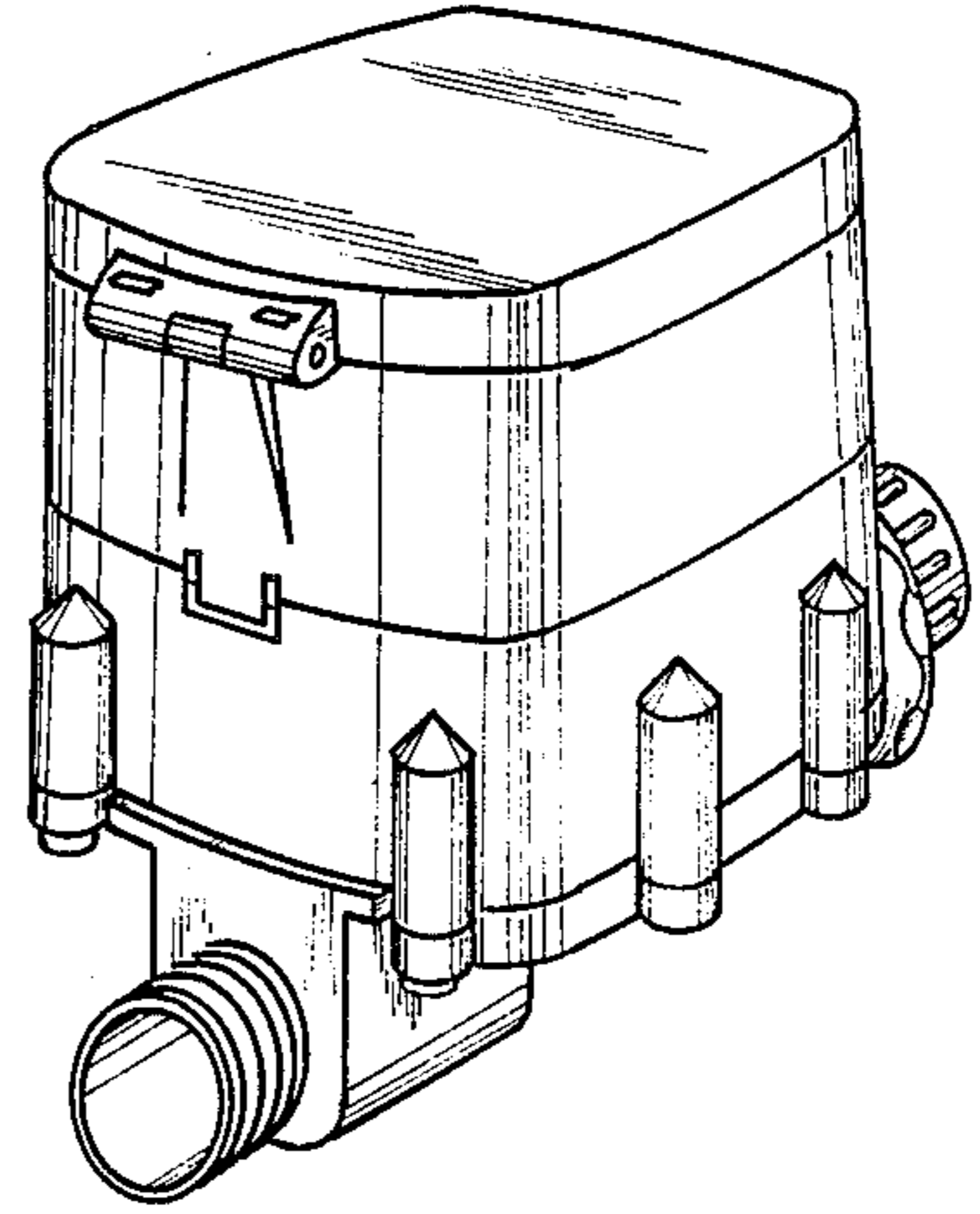


Fig. 2

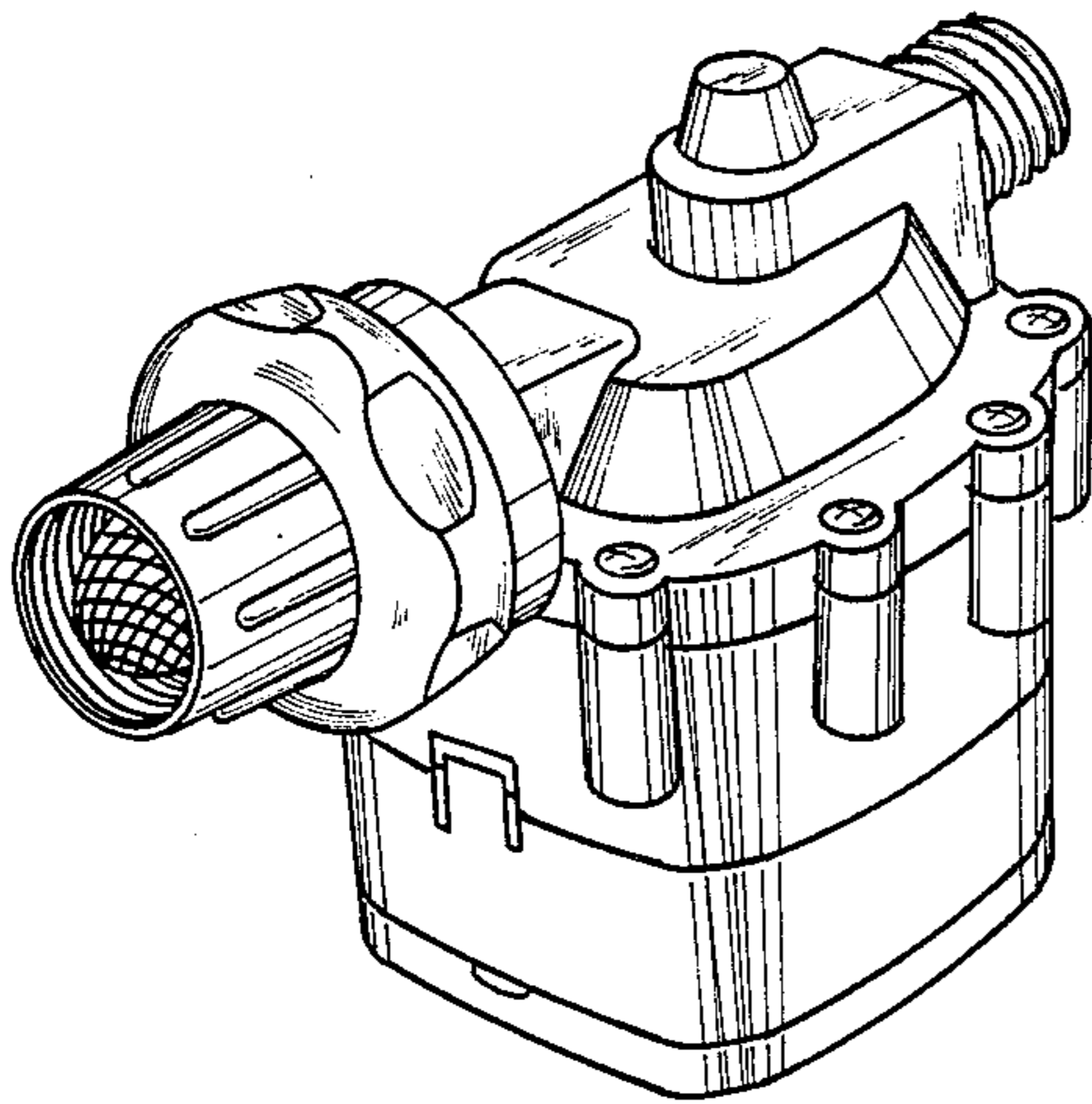


Fig. 3

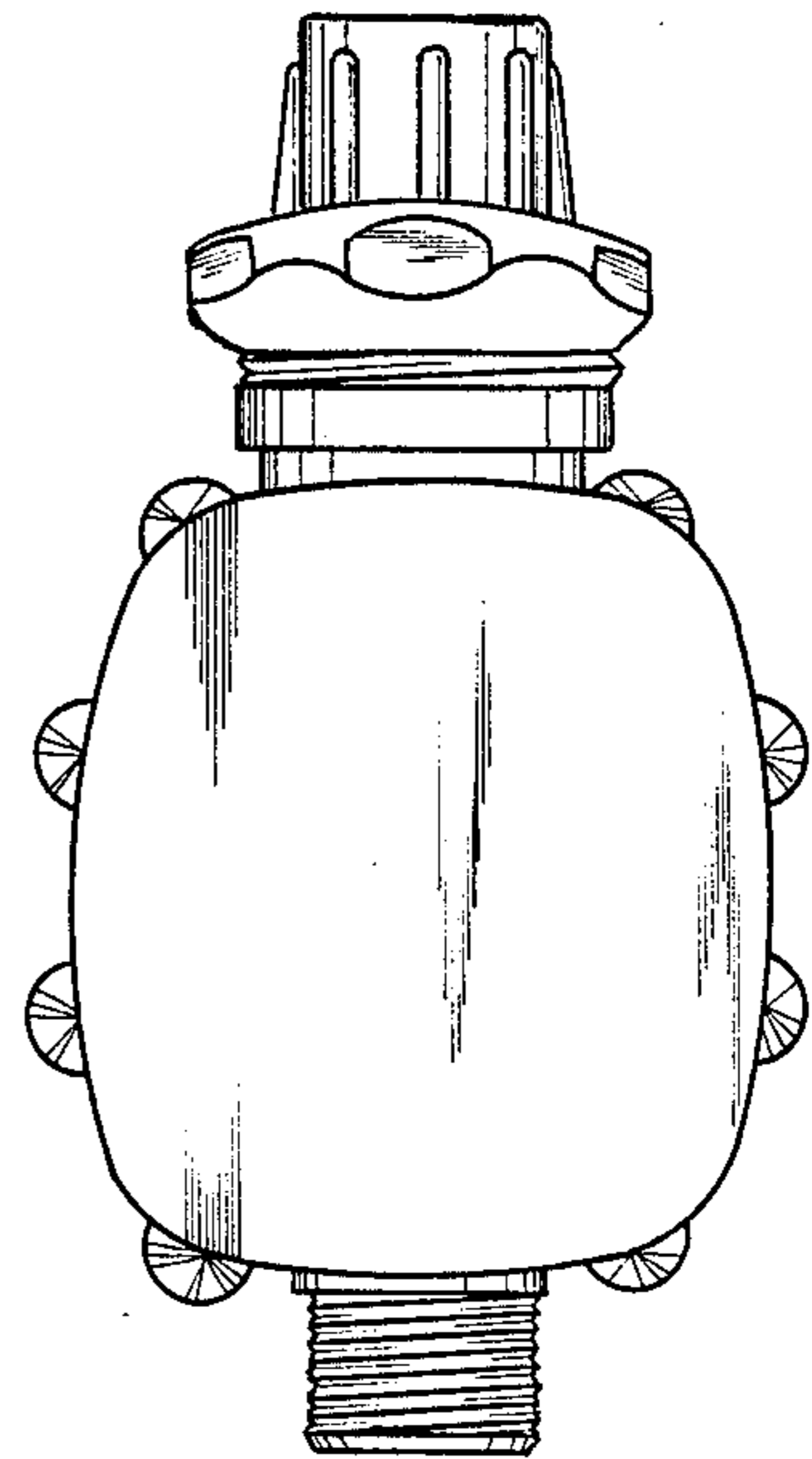


Fig. 4

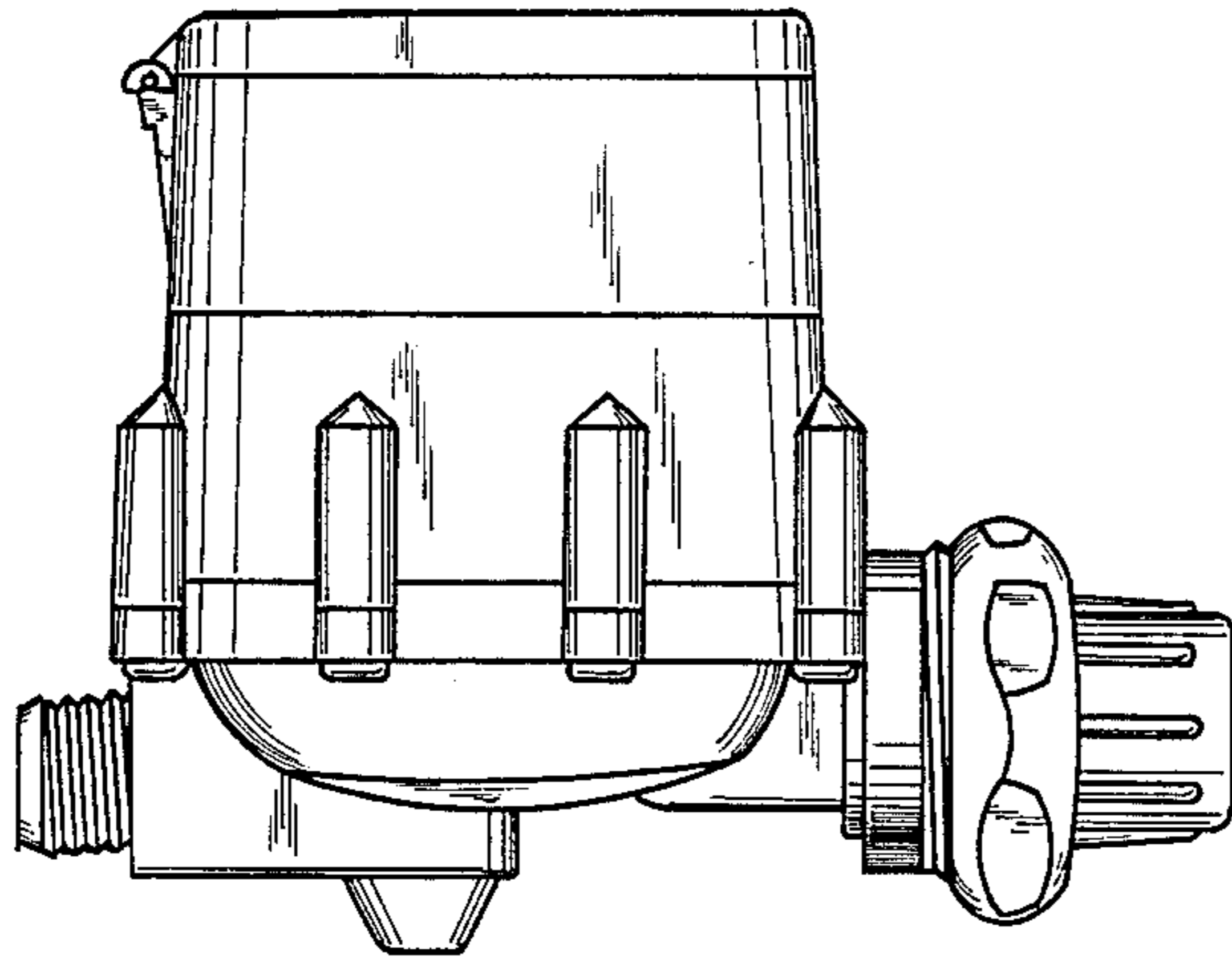


Fig 5

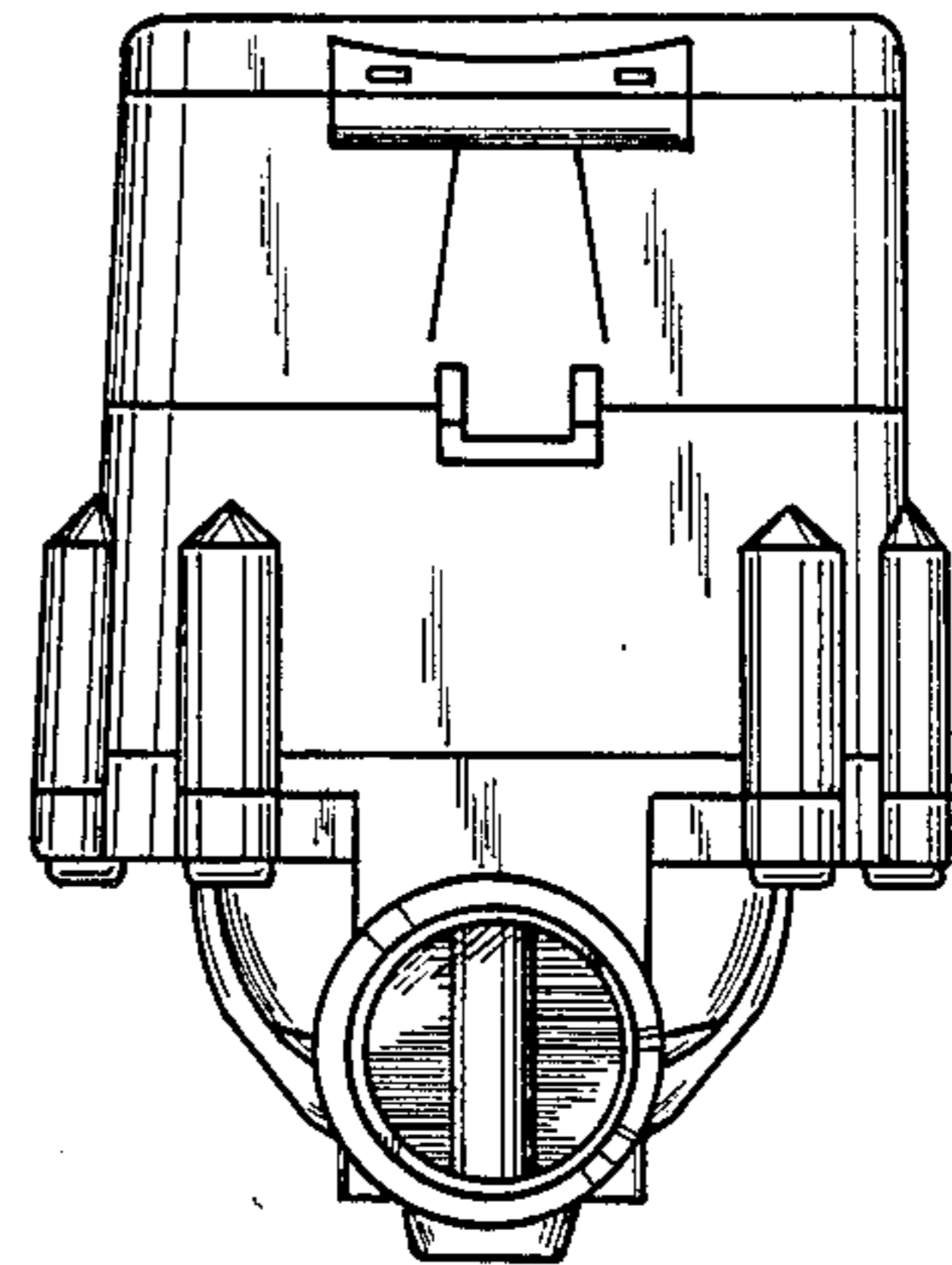


Fig. 6

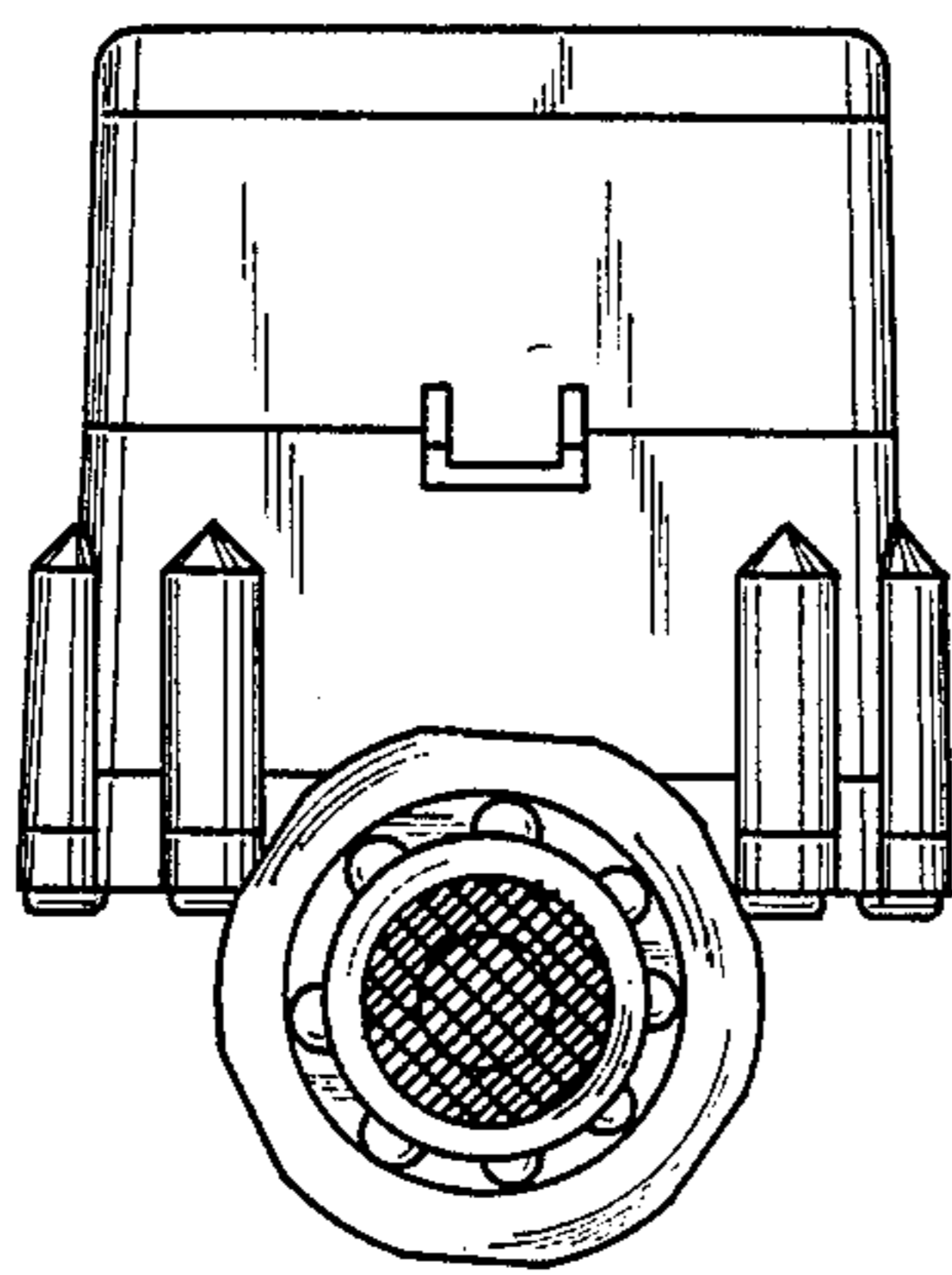


Fig. 7

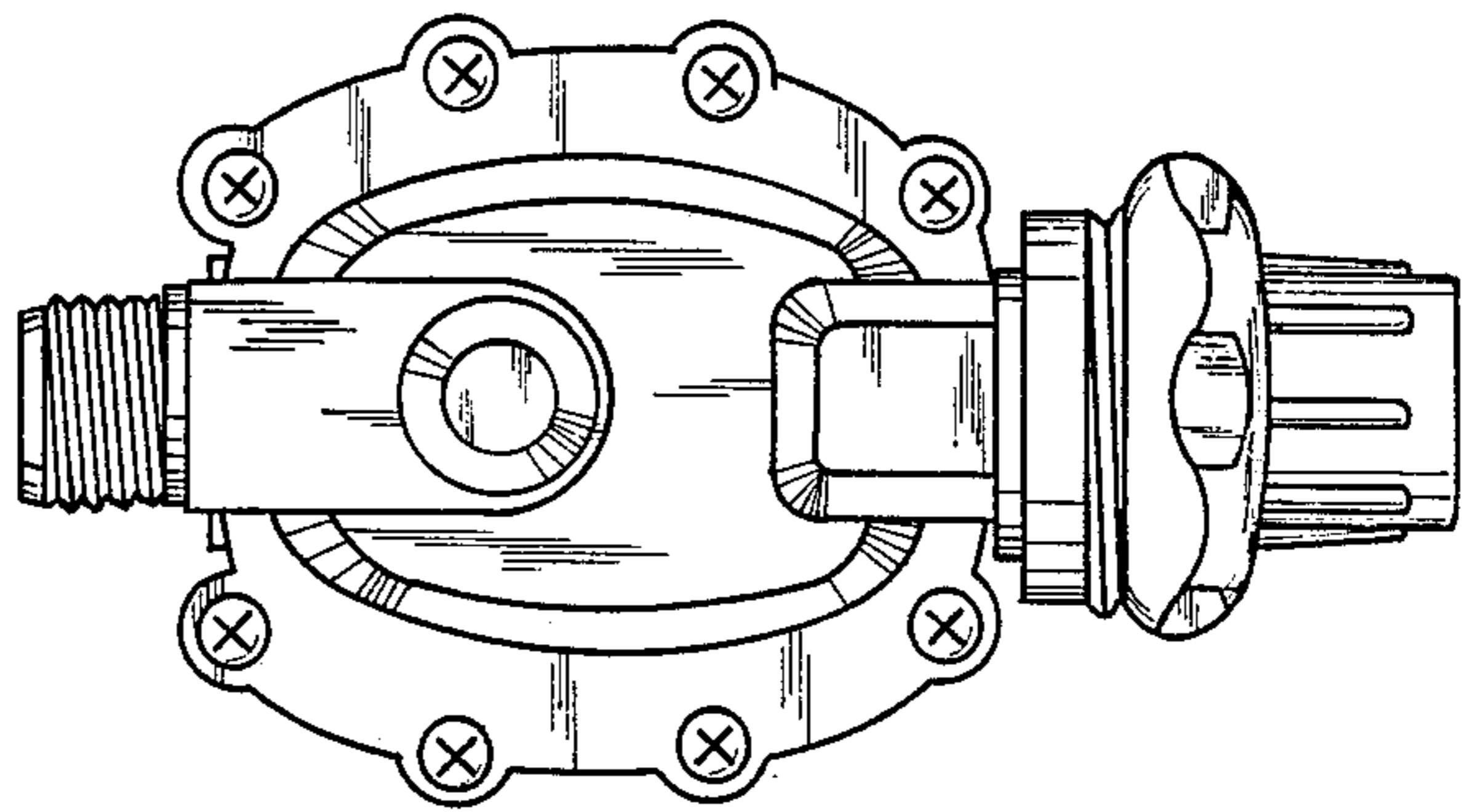


Fig. 8

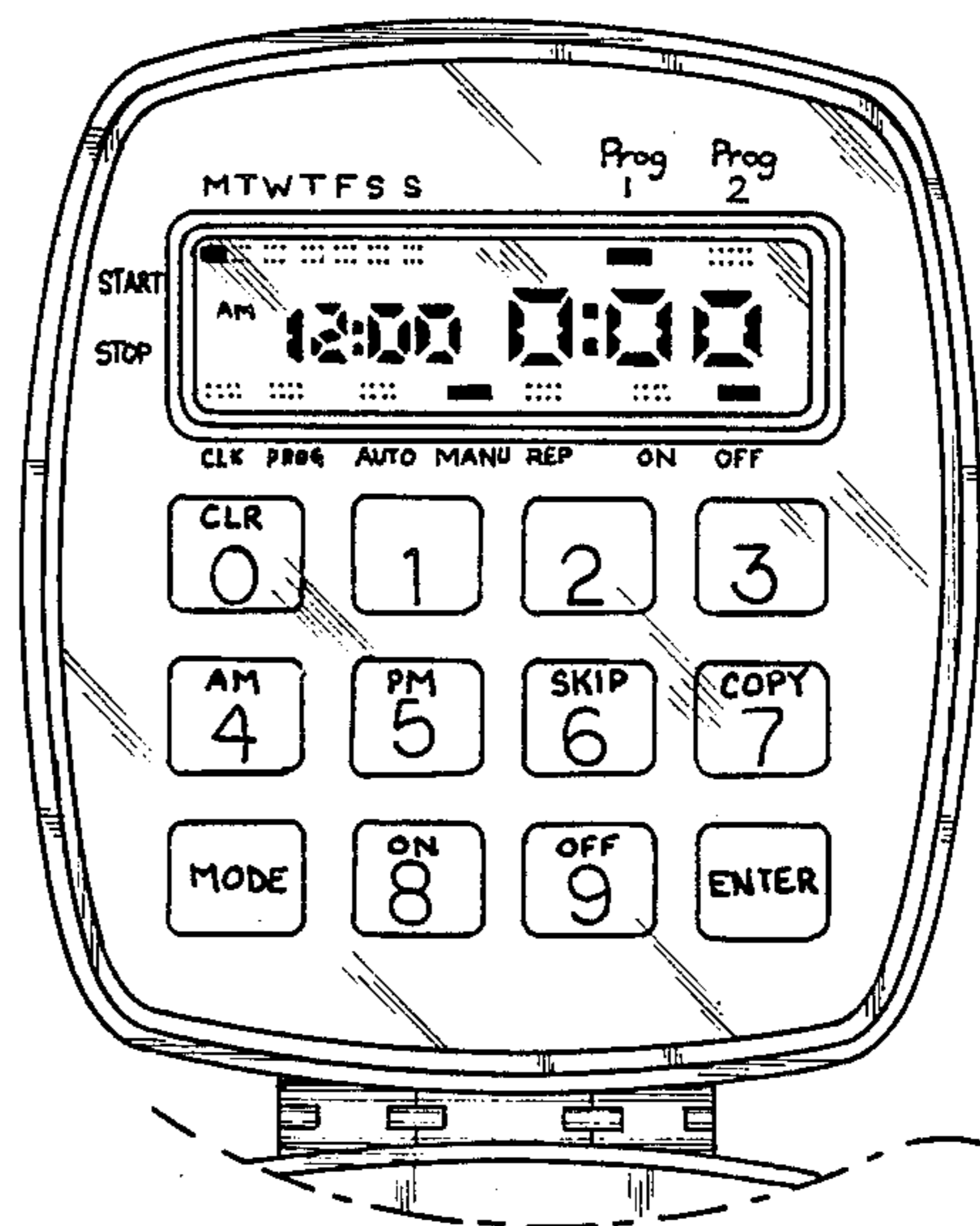


Fig. 9