

[54] COMBINED UNDERWATER TREADMILL AND STATION THEREFOR

[75] Inventors: Jeff Keller; Robert Linton, both of Edmonds, Wash.

[73] Assignee: Edmonds Medical Systems, Inc., Edmonds, Wash.

[**] Term: 14 Years

[21] Appl. No.: 13,619

[22] Filed: Feb. 12, 1987

[52] U.S. Cl. D21/192

[58] Field of Search D21/191-199; 272/69

[56] References Cited

U.S. PATENT DOCUMENTS

3,675,640 7/1972 Gatts 272/69
4,332,217 6/1982 Davis 272/69

OTHER PUBLICATIONS

Aqua Ciser brochure, 4 pages.

Primary Examiner—Charles A. Rademaker
Attorney, Agent, or Firm—Ward Brown; Robert W. Beach

[57] CLAIM

The ornamental design for a combined underwater treadmill and station therefor, as shown and described.

DESCRIPTION

FIG. 1 is a top perspective view of a combined underwater treadmill and station therefor showing our new design;

FIG. 2 is a front elevational view thereof;

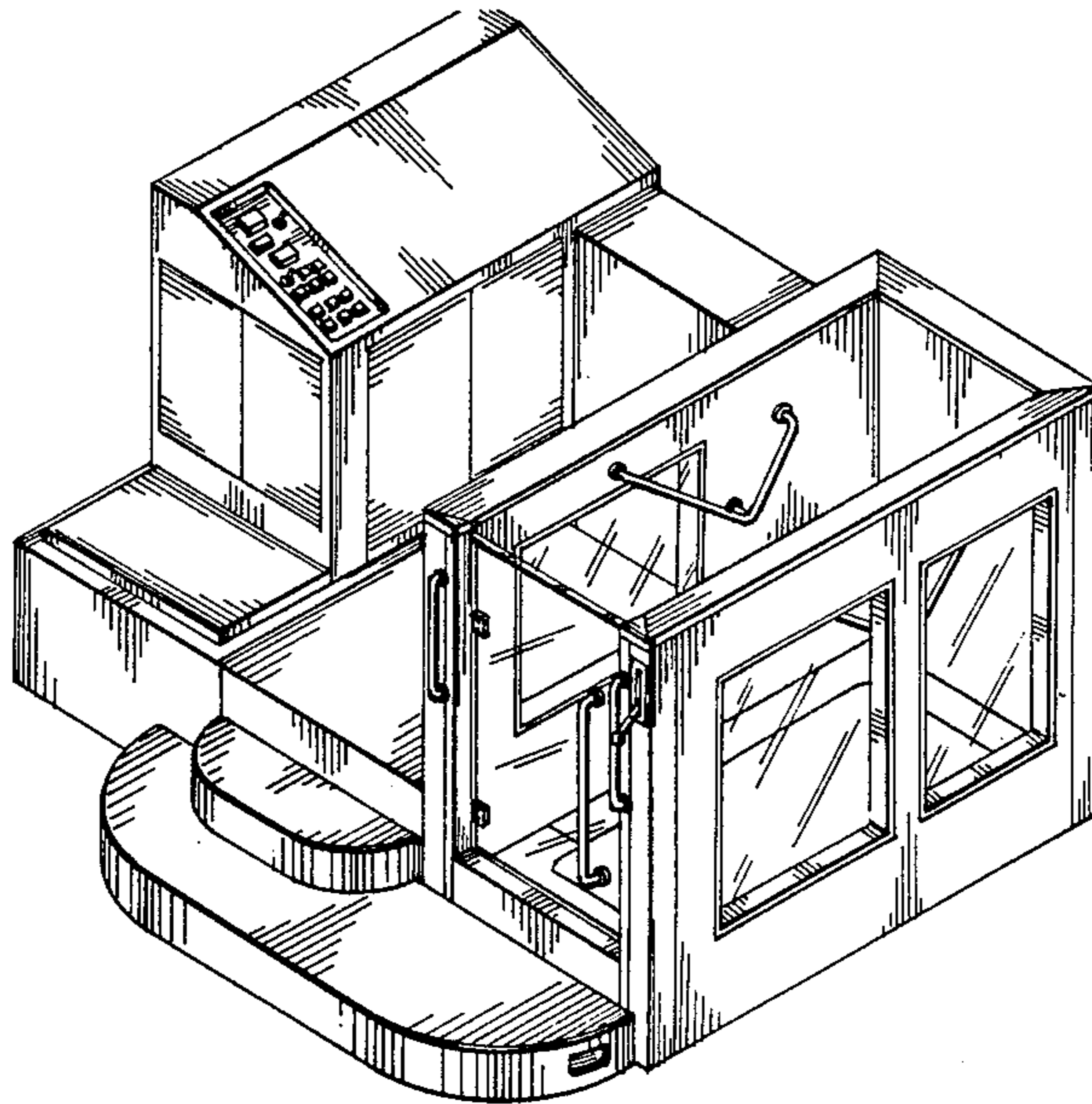
FIG. 3 is a side elevational view thereof taken from the right of FIG. 2;

FIG. 4 is a side elevational view thereof taken from the left of FIG. 2;

FIG. 5 is a top plan view thereof;

FIG. 6 is a bottom plan view thereof; and

FIG. 7 is a rear elevational view thereof.



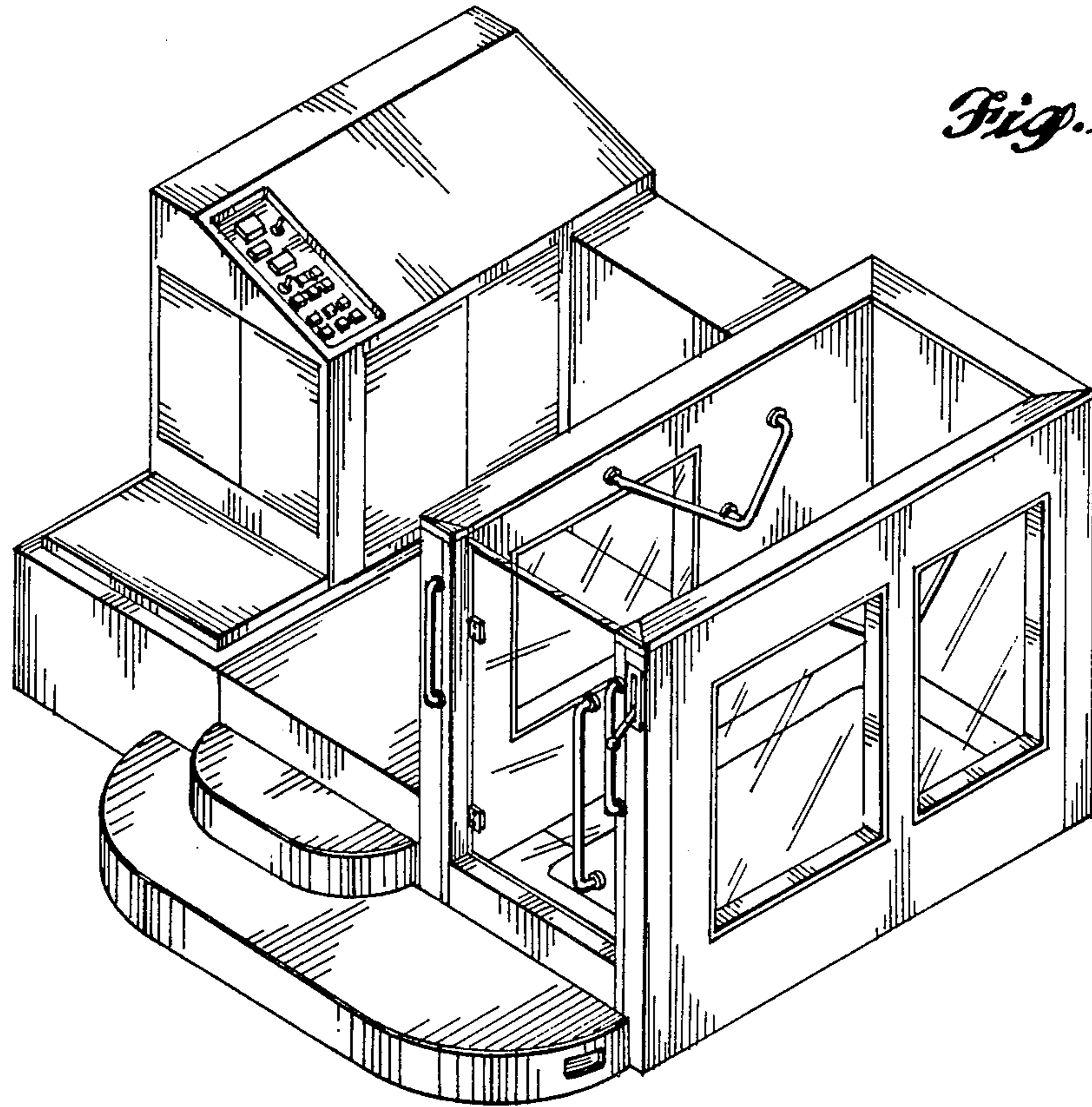


Fig. 1.

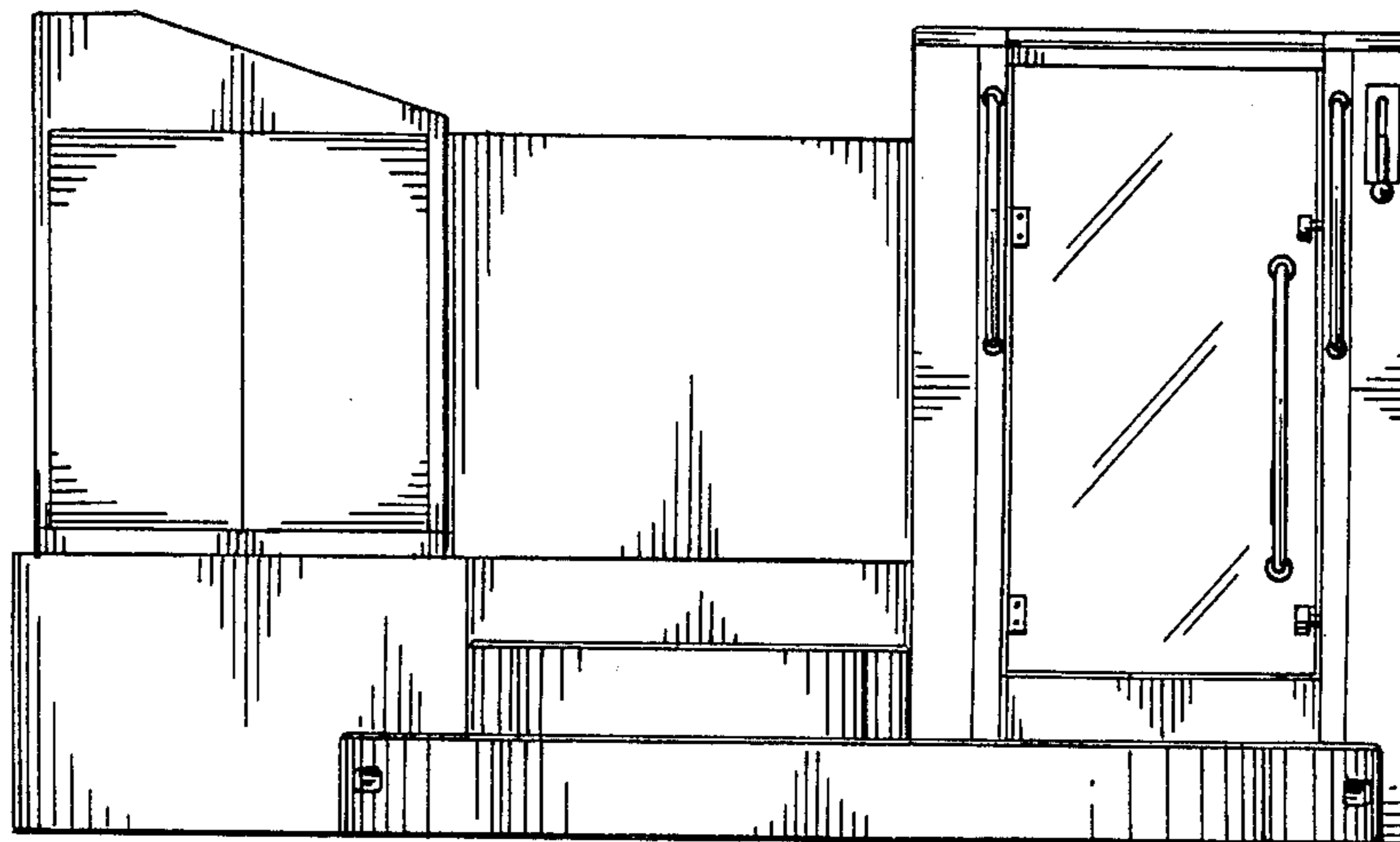


Fig. 2.

Fig. 3.

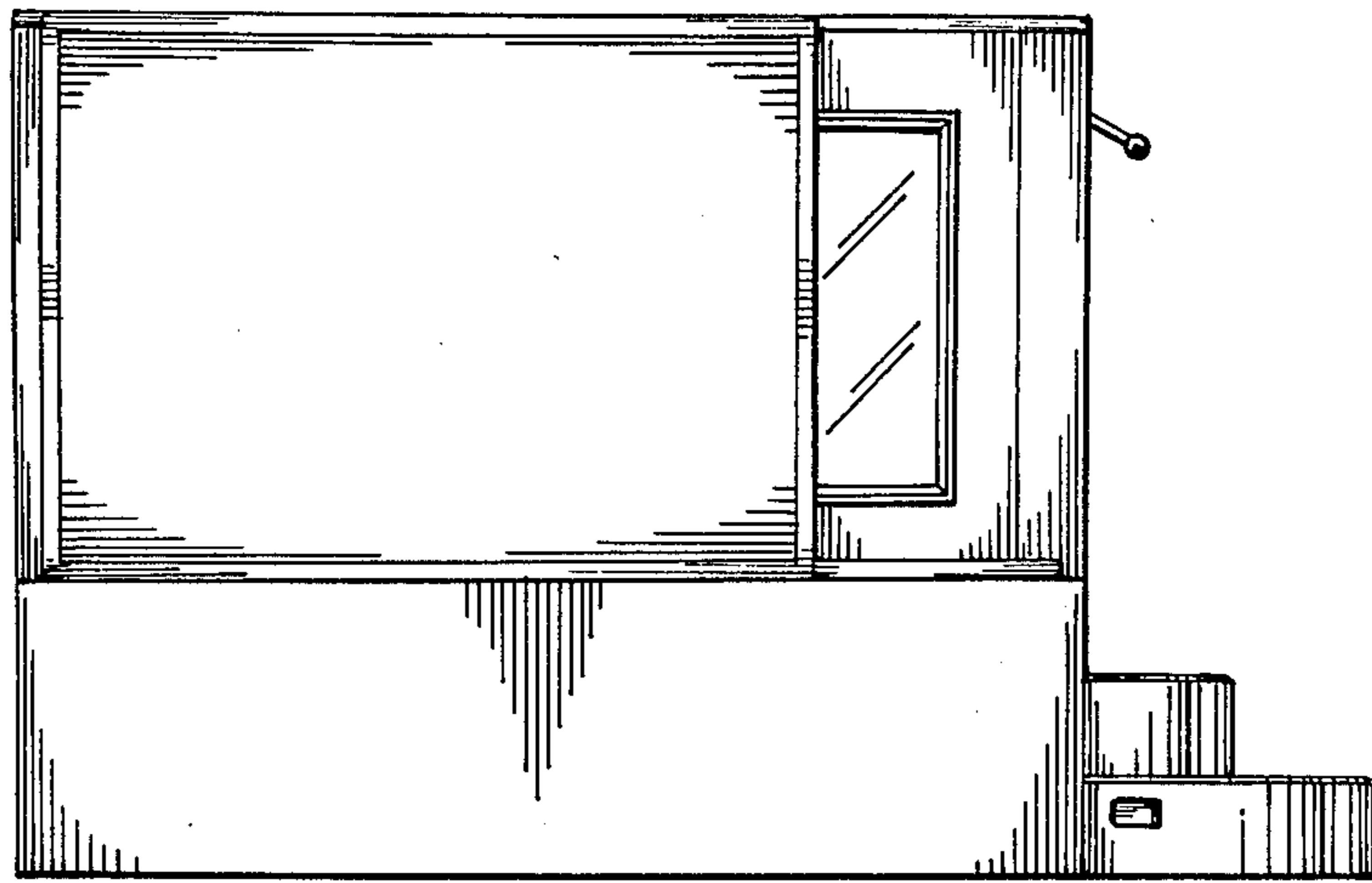
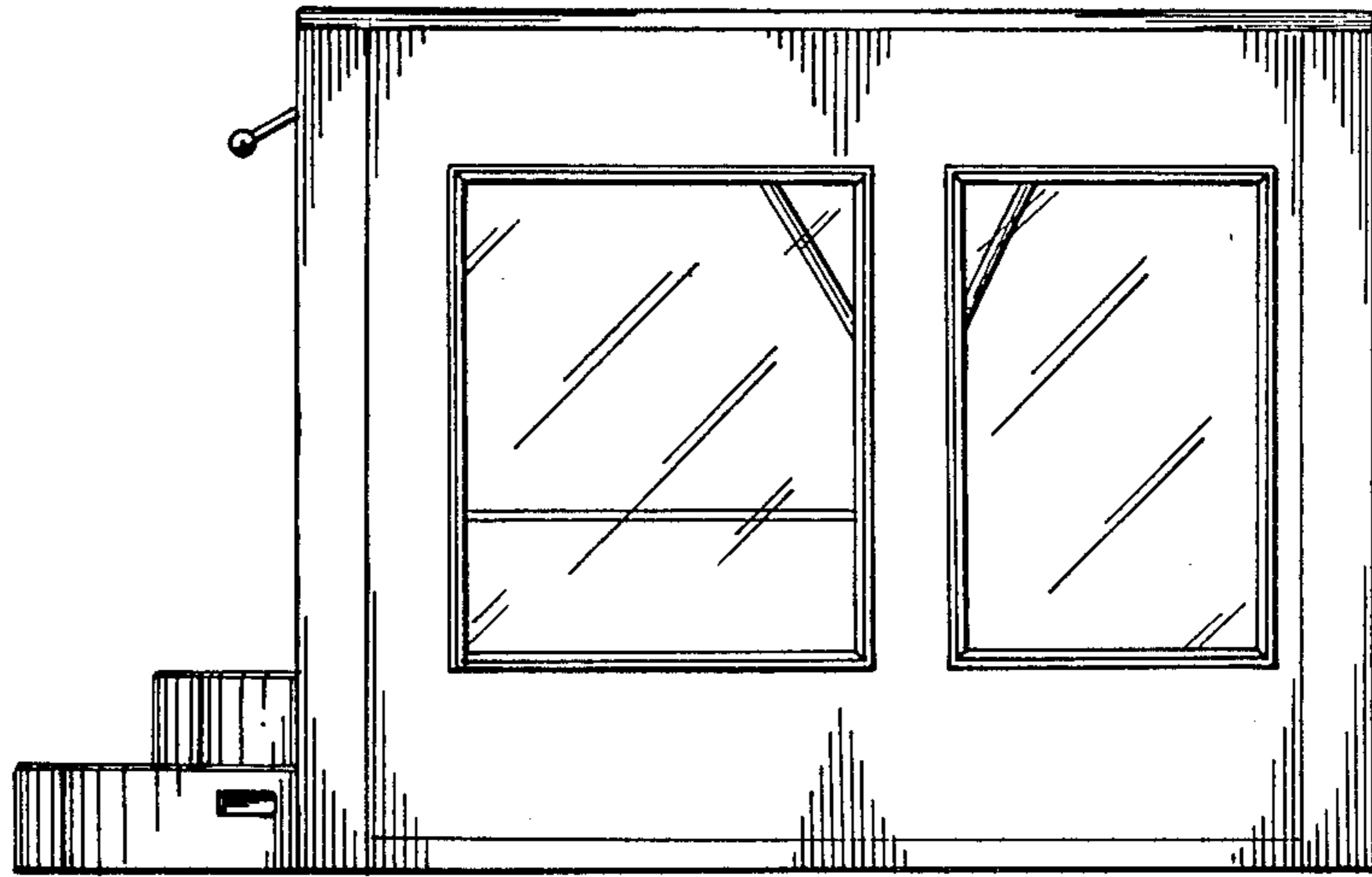


Fig. 4.

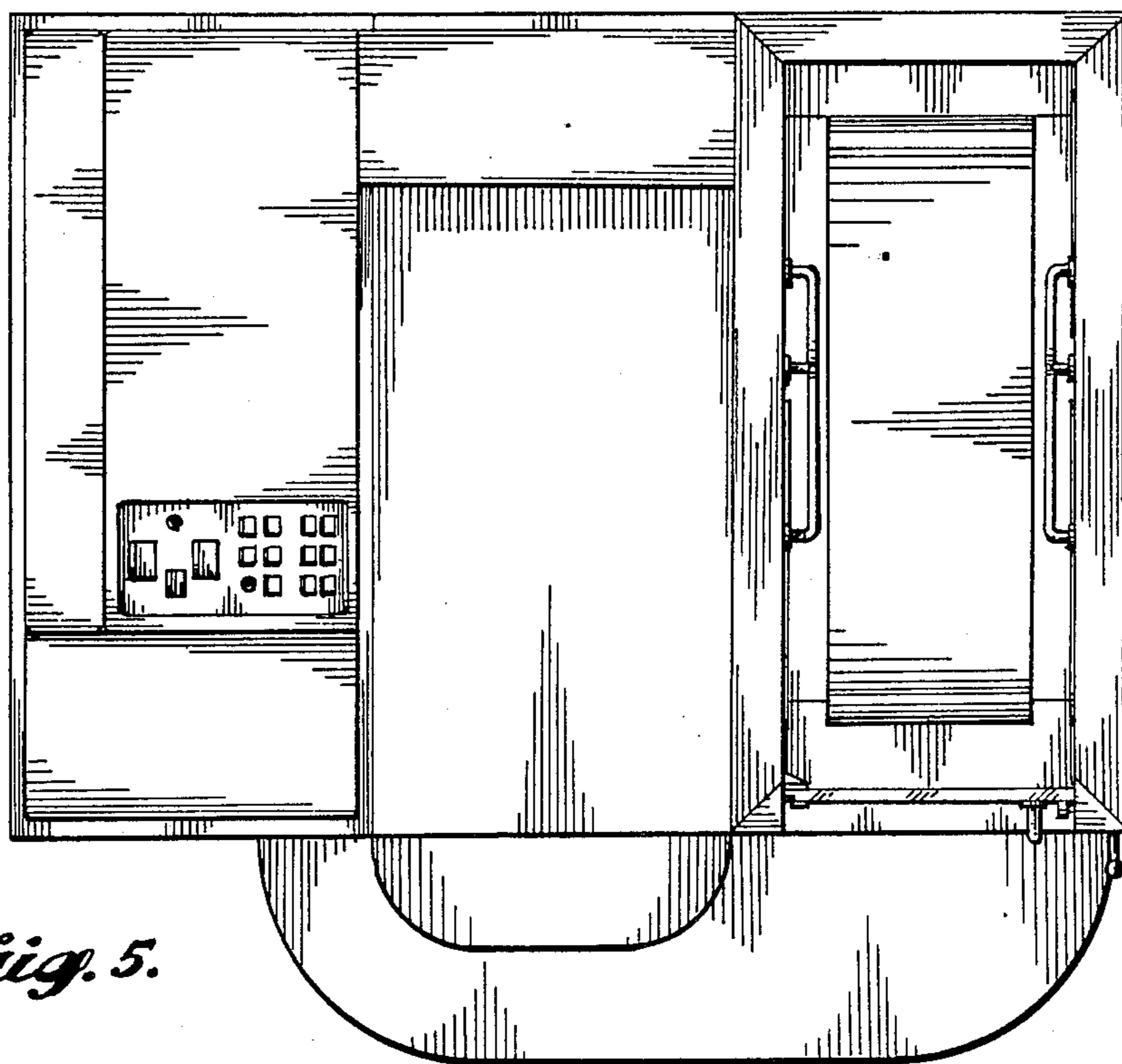


Fig. 5.

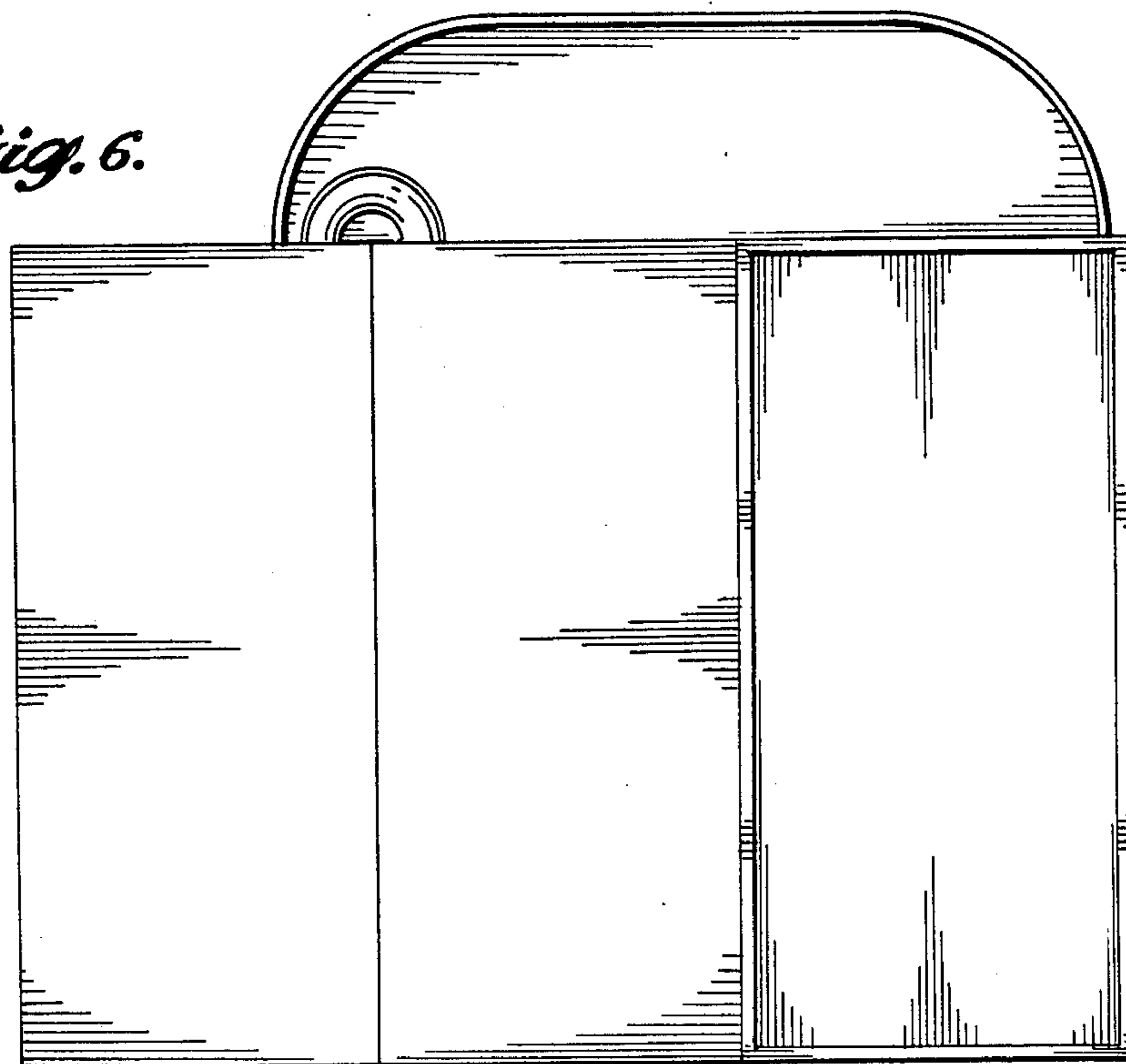


Fig. 6.

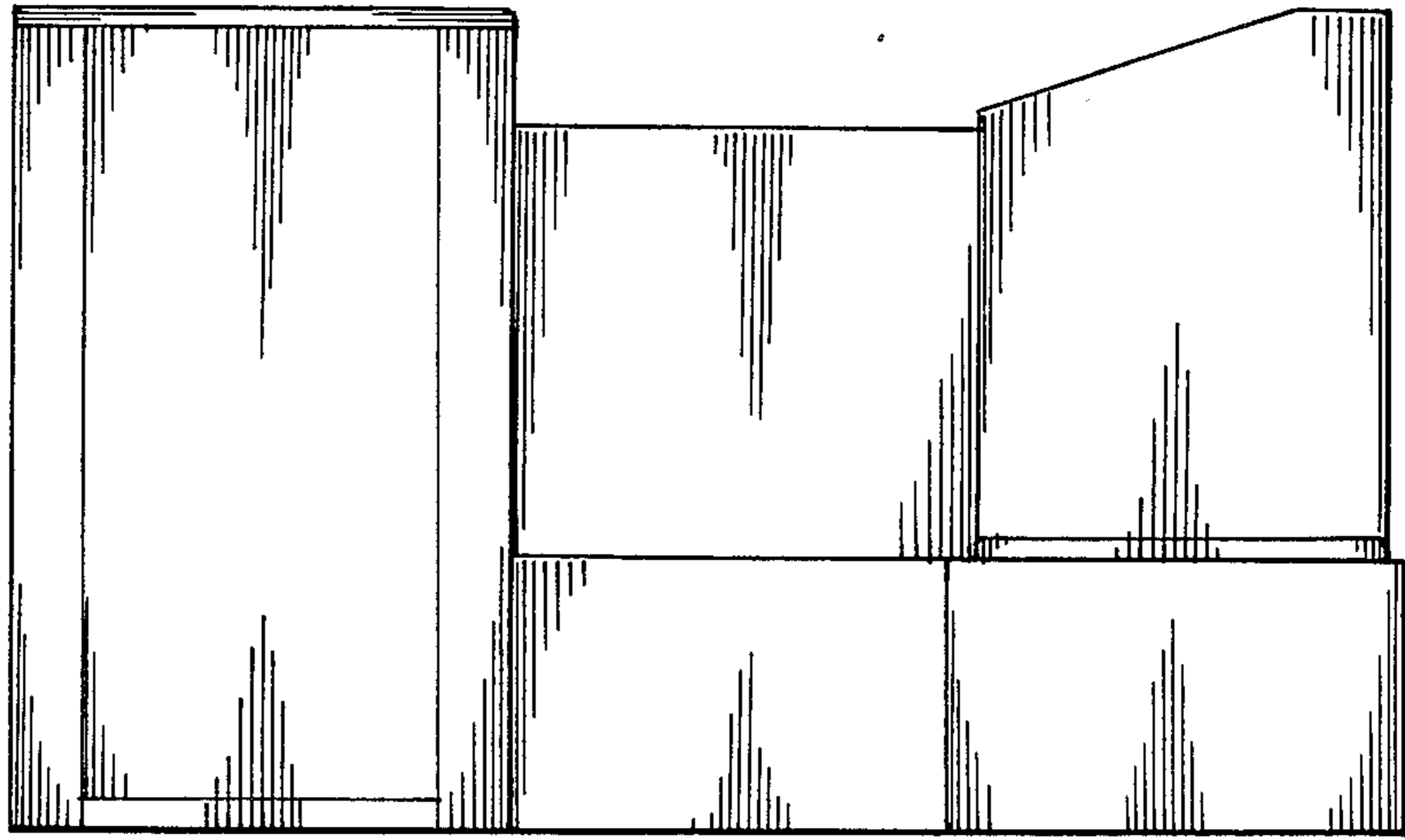


Fig. 7.