

[54] **SCOOTER**
[75] **Inventor: Frank Fonte, Tampa, Fla.**
[73] **Assignee: C & S Manufacturing, Tampa, Fla.**
[**] **Term: 14 Years**
[21] **Appl. No.: 45,148**
[22] **Filed: May 4, 1987**

2,825,575 3/1958 Mickels D21/71
3,309,104 3/1967 Gold D21/71
4,552,372 11/1985 Jones 280/87.04 R

Primary Examiner—Charles A. Rademaker
Attorney, Agent, or Firm—Frijouf, Rust & Pyle

[57] **CLAIM**

The ornamental design for a scooter, as shown and described.

DESCRIPTION

FIG. 1 is a perspective view of a scooter, showing my new design;
FIG. 2 is another perspective view thereof showing the handle member in an exploded condition;
FIG. 3 is a front elevational view thereof showing the handle in an exploded condition and partially in fragment;
FIG. 4 is a rear elevational view thereof;
FIG. 5 is a left side elevational view thereof;
FIG. 6 is a top plan view thereof; and
FIG. 7 is a bottom plan view thereof.

Related U.S. Application Data

[63] Continuation-in-part of Ser. No. 25,836, Mar. 13, 1987.
[52] **U.S. Cl.** D21/81; D21/71;
D21/227
[58] **Field of Search** D21/66, 80, 81, 227;
280/87.04 R, 87.04 A

[56] **References Cited**

U.S. PATENT DOCUMENTS

D. 95,770 5/1935 Mellon D21/71
2,413,530 12/1946 Taylor D21/81

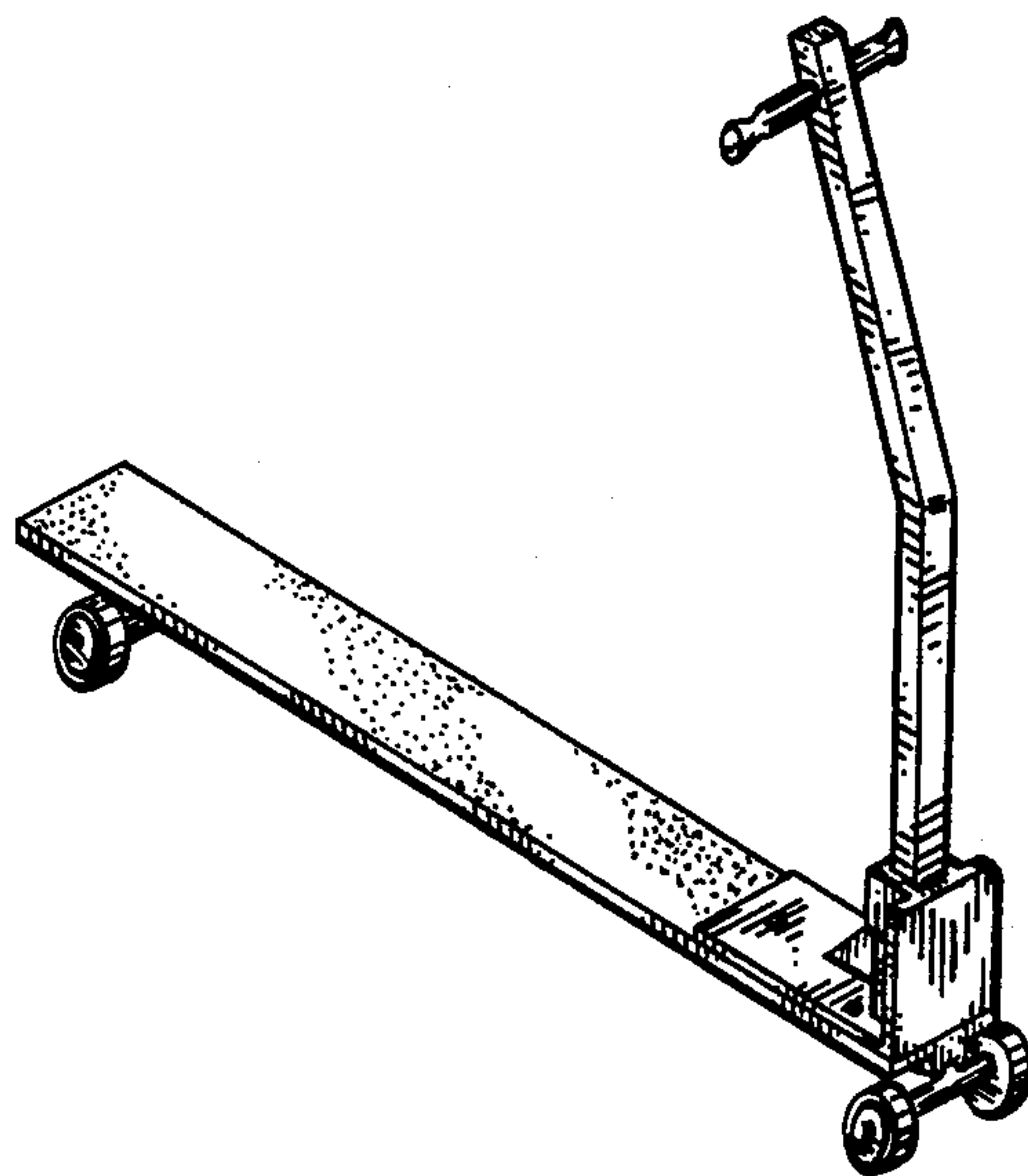


FIG. 1

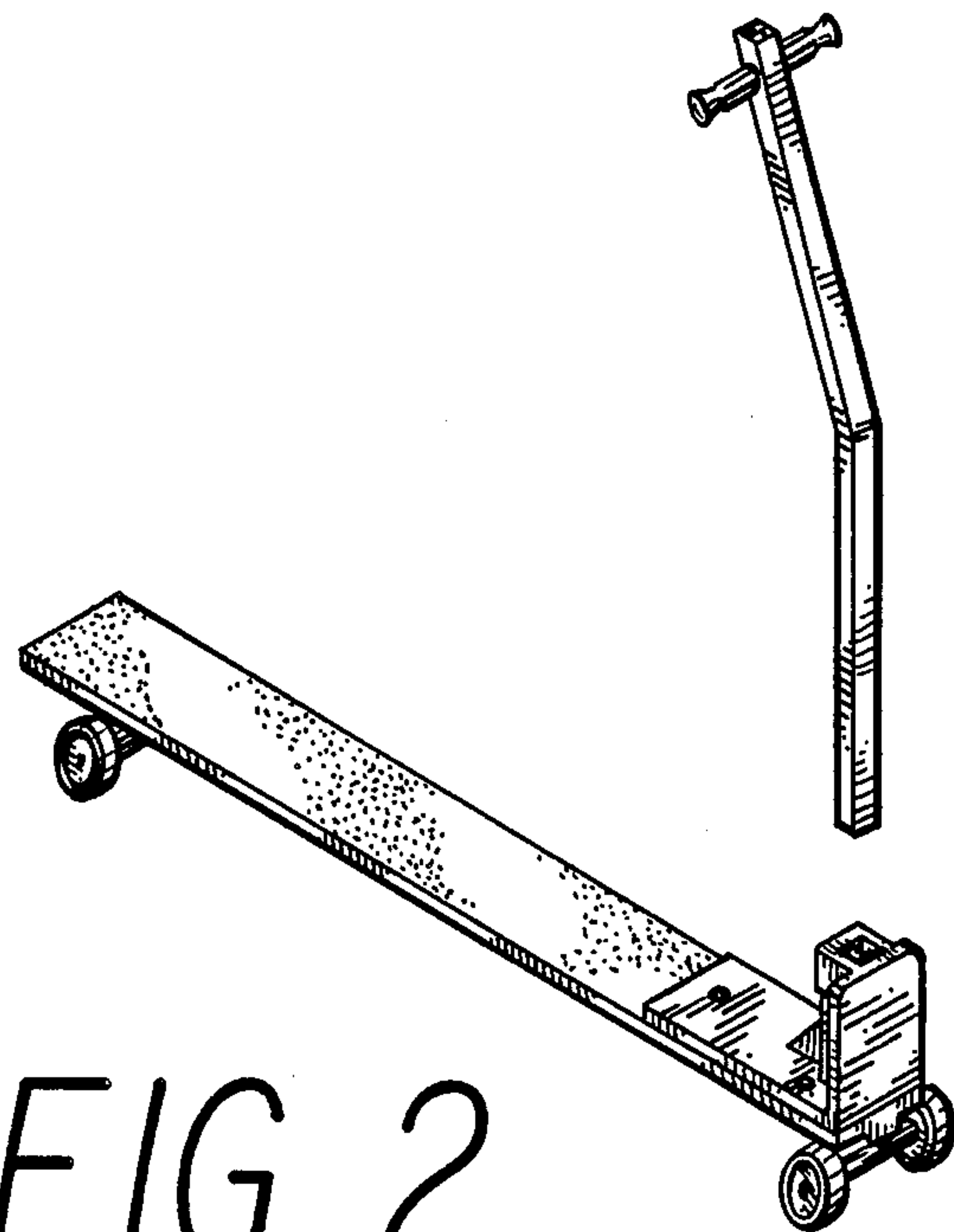
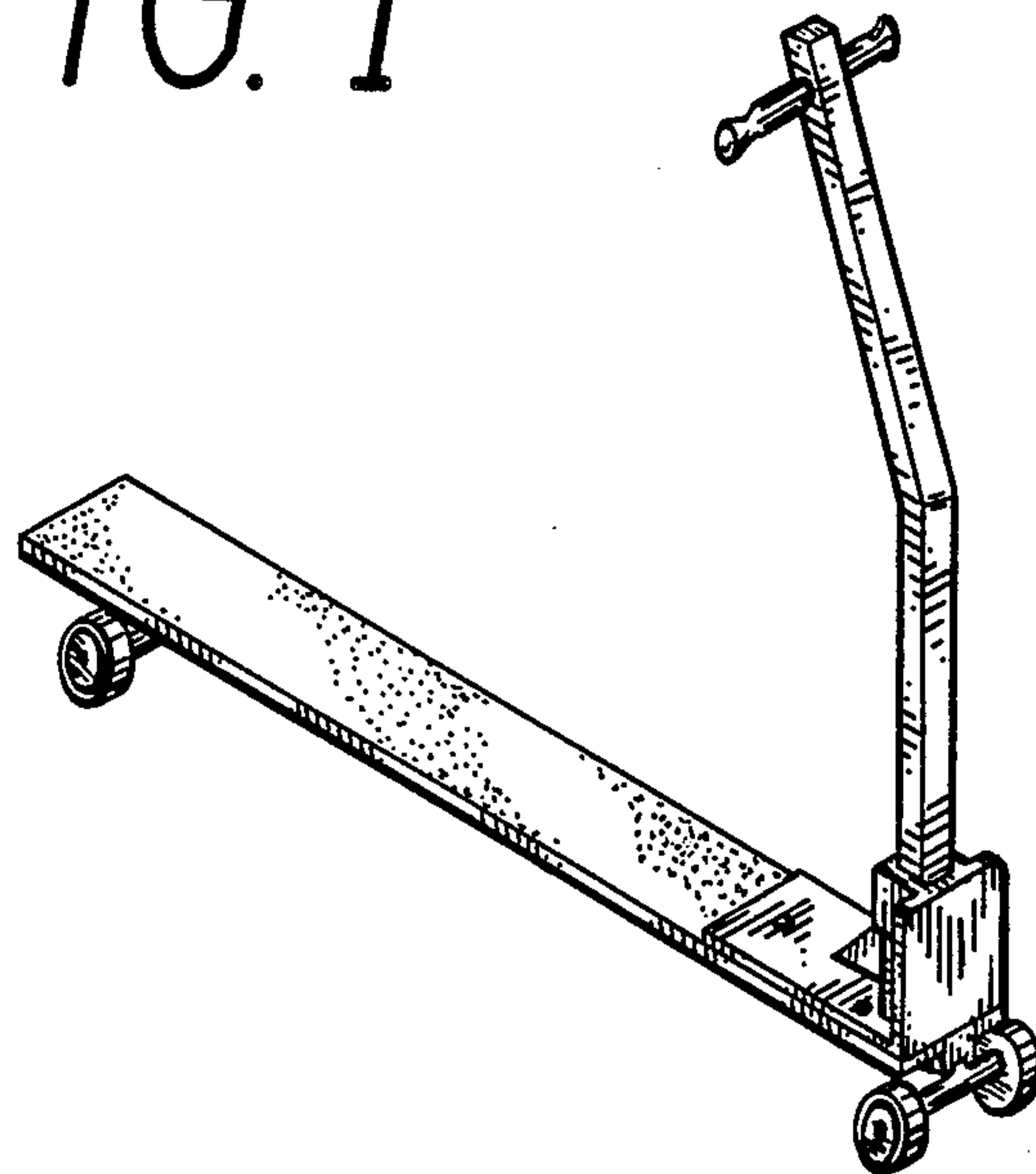


FIG. 2

