

[54] CASE FOR VIDEO CAMERA COMBINED WITH VIDEO TAPE RECORDER

[75] Inventor: Takuya Niitsu, Kawasaki, Japan

[73] Assignee: Sony Corporation, Tokyo, Japan

[\*\*] Term: 14 Years

[21] Appl. No.: 879,190

[22] Filed: Jun. 26, 1986

[30] Foreign Application Priority Data

Jan. 13, 1986 [JP] Japan ..... 61-717

[52] U.S. Cl. .... D16/204; D16/202

[58] Field of Search ..... D16/200, 202, 204, 208; 352/34, 242, 243; 354/82, 293; 358/229, 906

[56] References Cited

U.S. PATENT DOCUMENTS

- D. 179,803 3/1957 Gillette ..... D16/202
- D. 187,248 2/1960 Sampson ..... D16/202
- D. 193,814 10/1962 Vezzani ..... D16/204

D. 215,498 9/1969 Ceccacci ..... D16/204

OTHER PUBLICATIONS

American Cinematographer, Feb. 1951, p. 52.

Primary Examiner—Bernard Ansher

Assistant Examiner—Adir Aronovich

Attorney, Agent, or Firm—Lewis H. Eslinger; Jay H. Maioli

[57] CLAIM

The ornamental design for a case for video camera combined with video tape recorder as shown.

DESCRIPTION

FIG. 1 is a perspective view of a case for video camera combined with video tape recorder, showing my new design;

FIG. 2 is a front elevational view thereof;

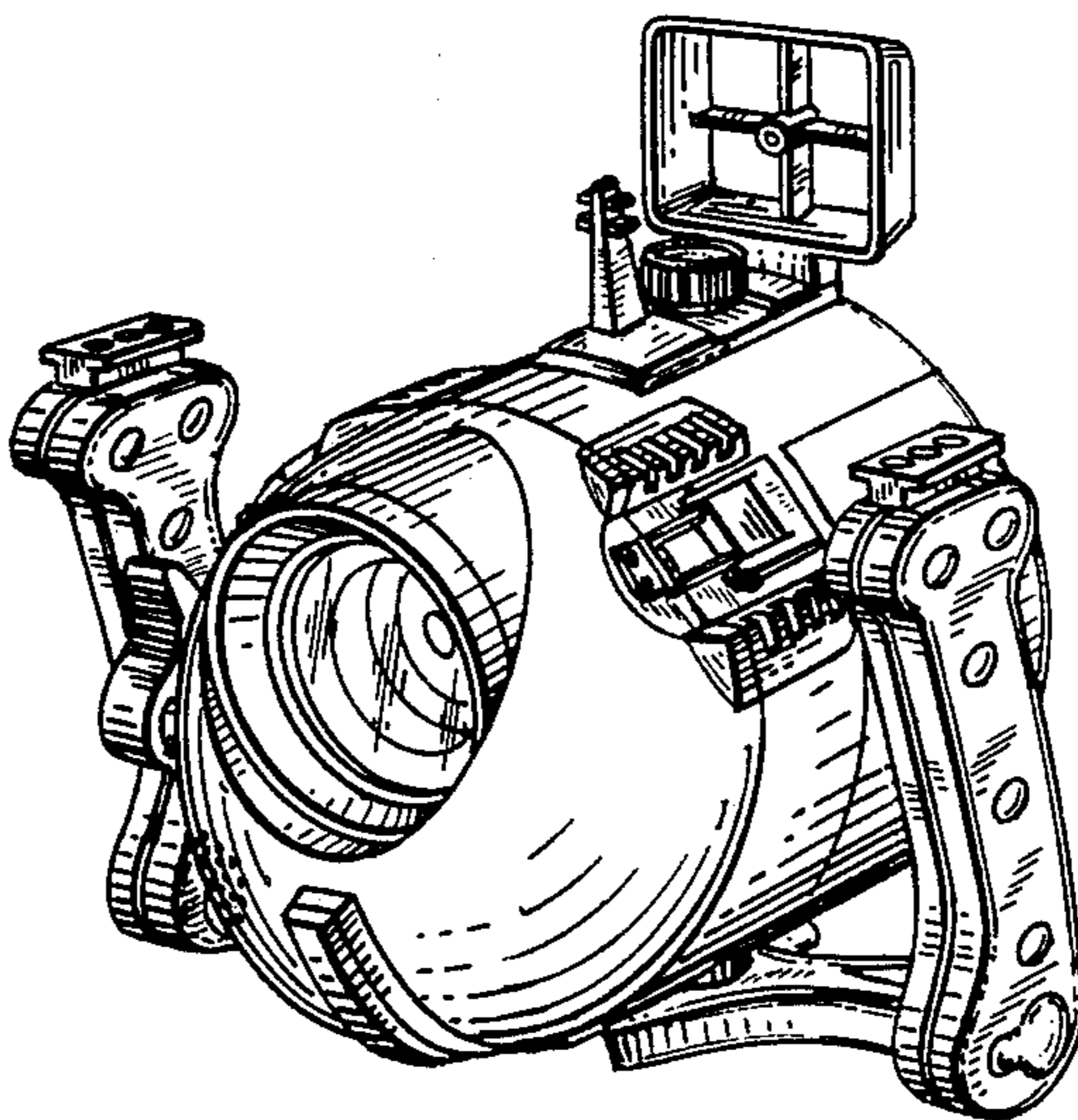
FIG. 3 is a rear elevational view thereof;

FIG. 4 is a left-side elevational view thereof;

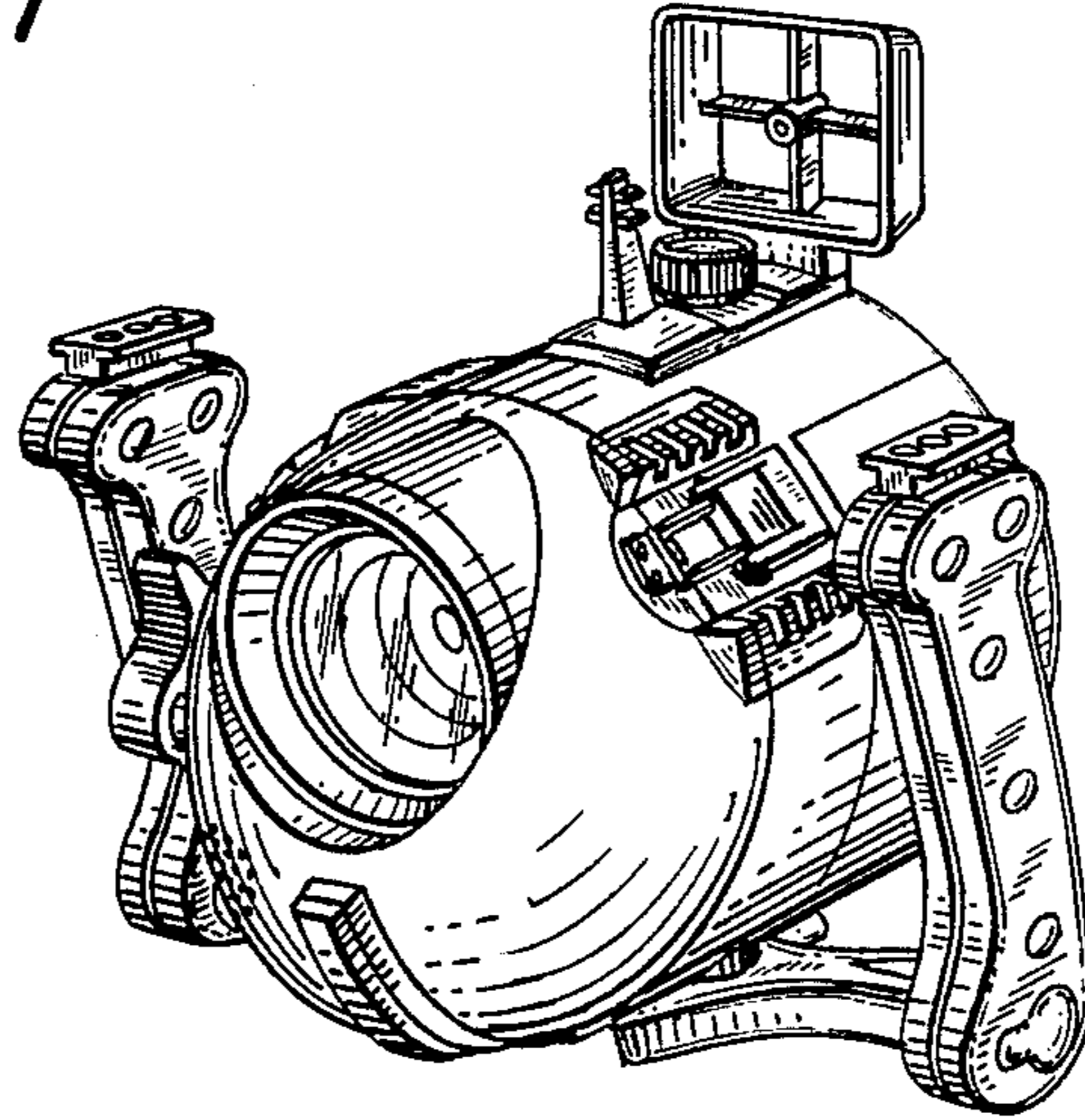
FIG. 5 is a right-side elevational view thereof;

FIG. 6 is a top plan view thereof; and

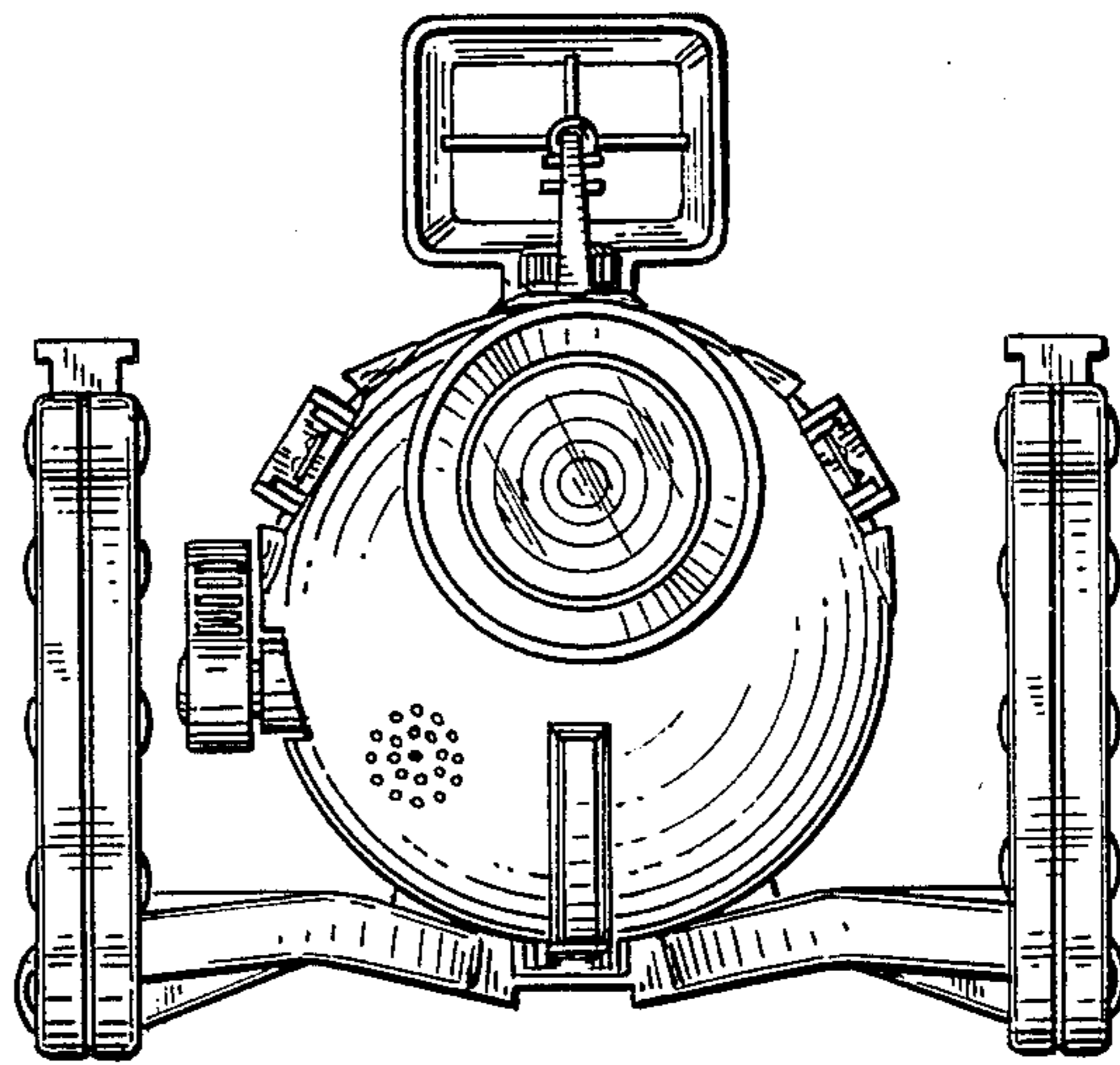
FIG. 7 is a bottom plan view thereof.

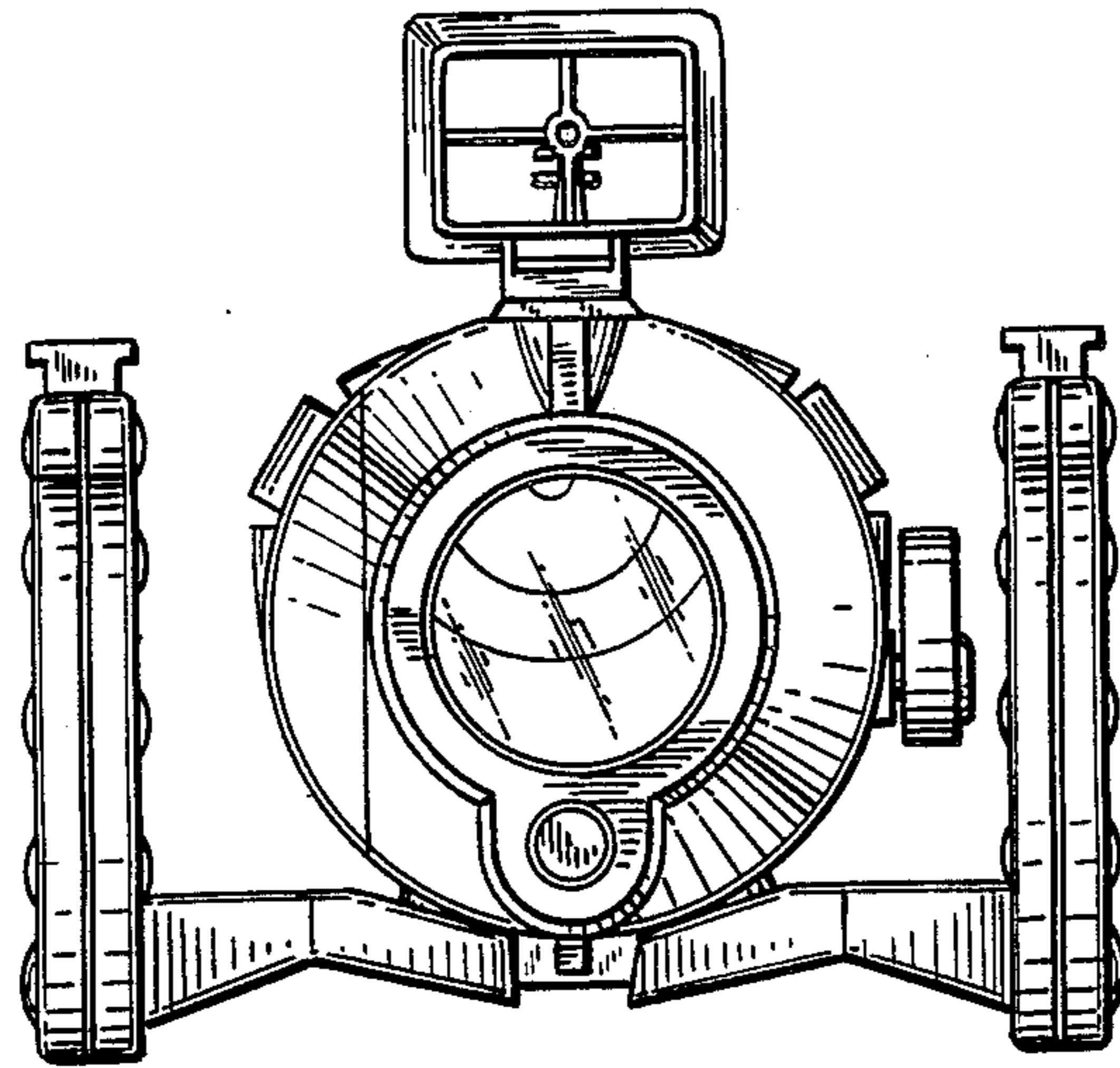


*FIG. 1*

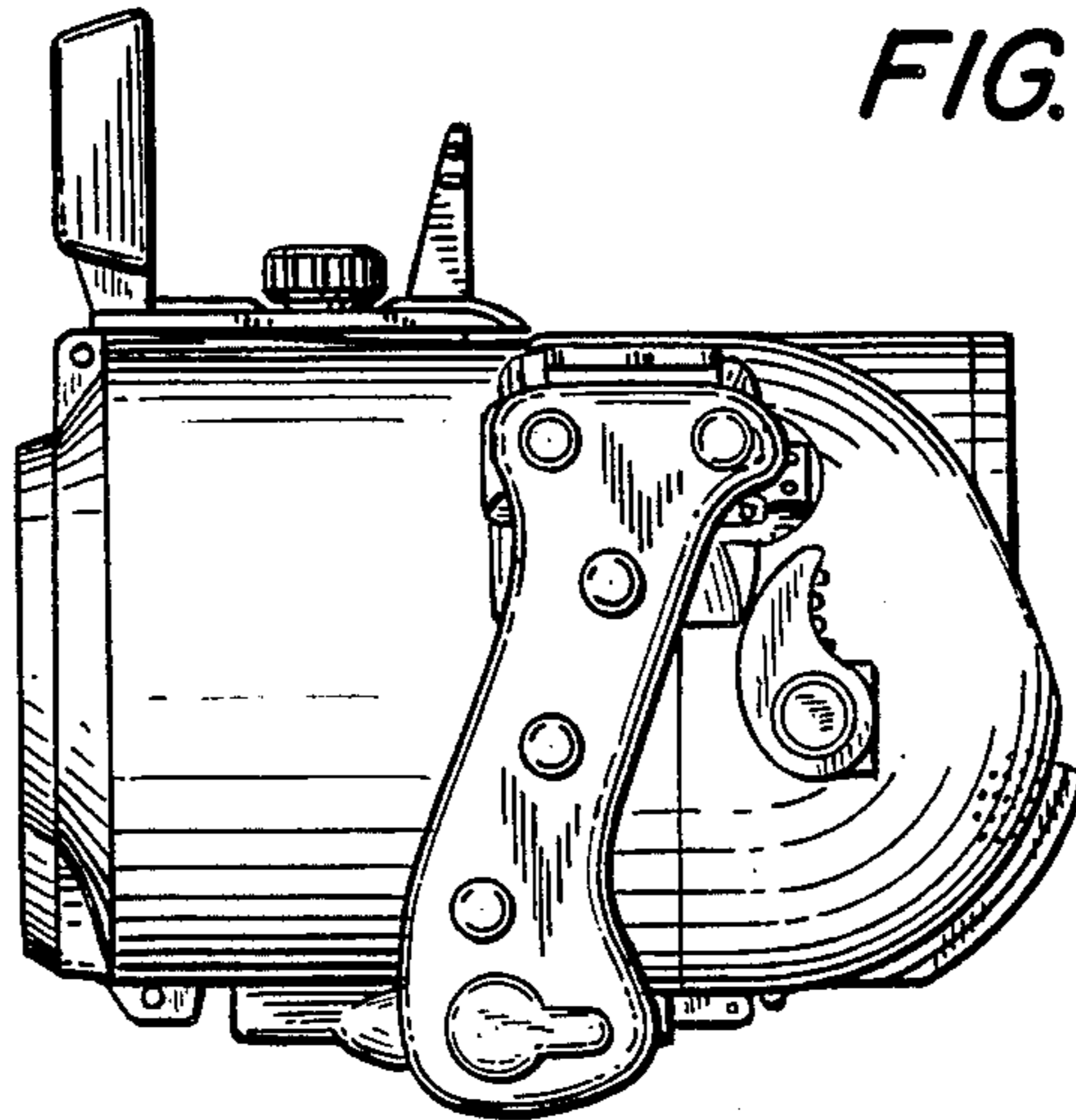


*FIG. 2*



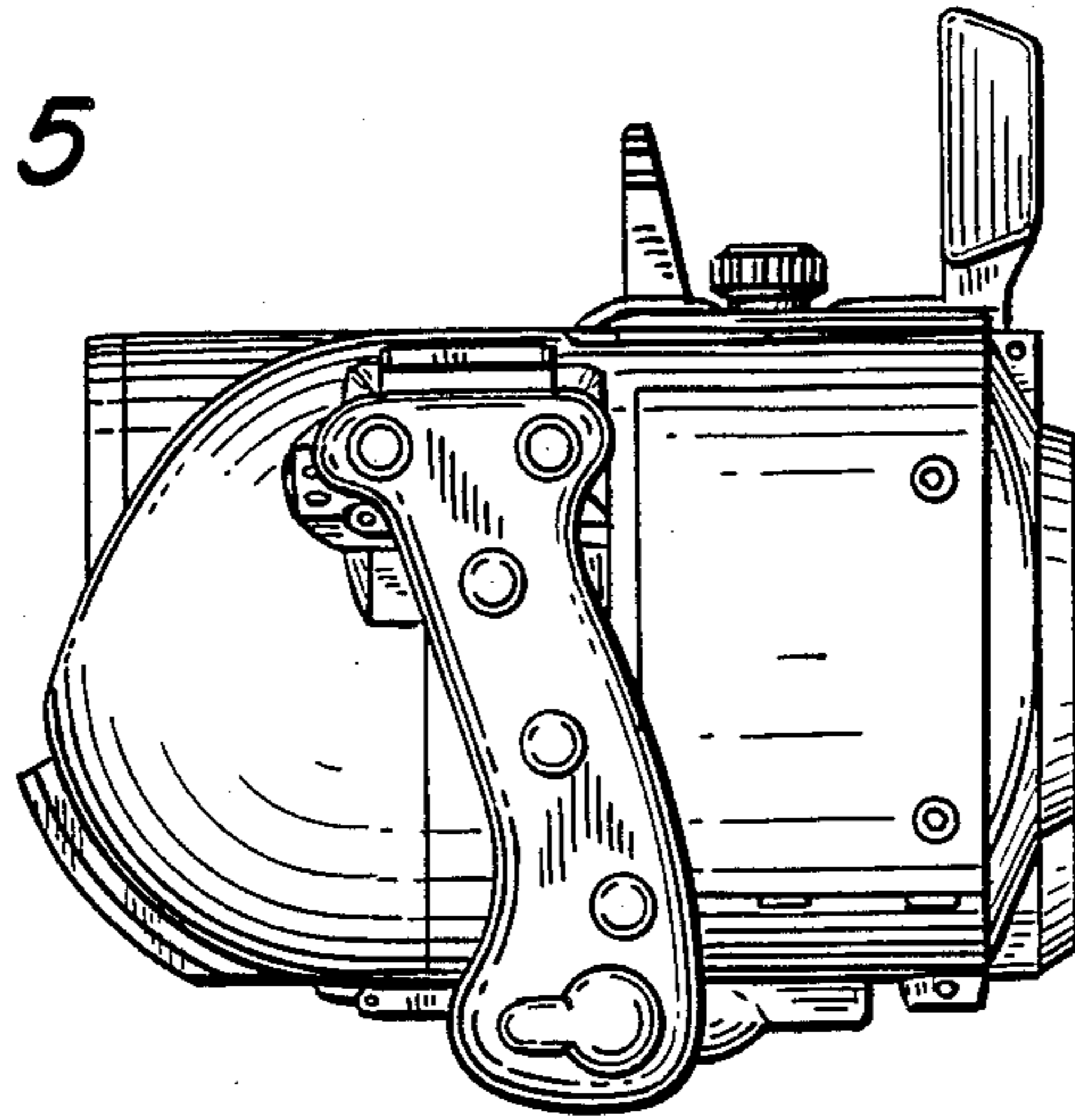


*FIG. 3*

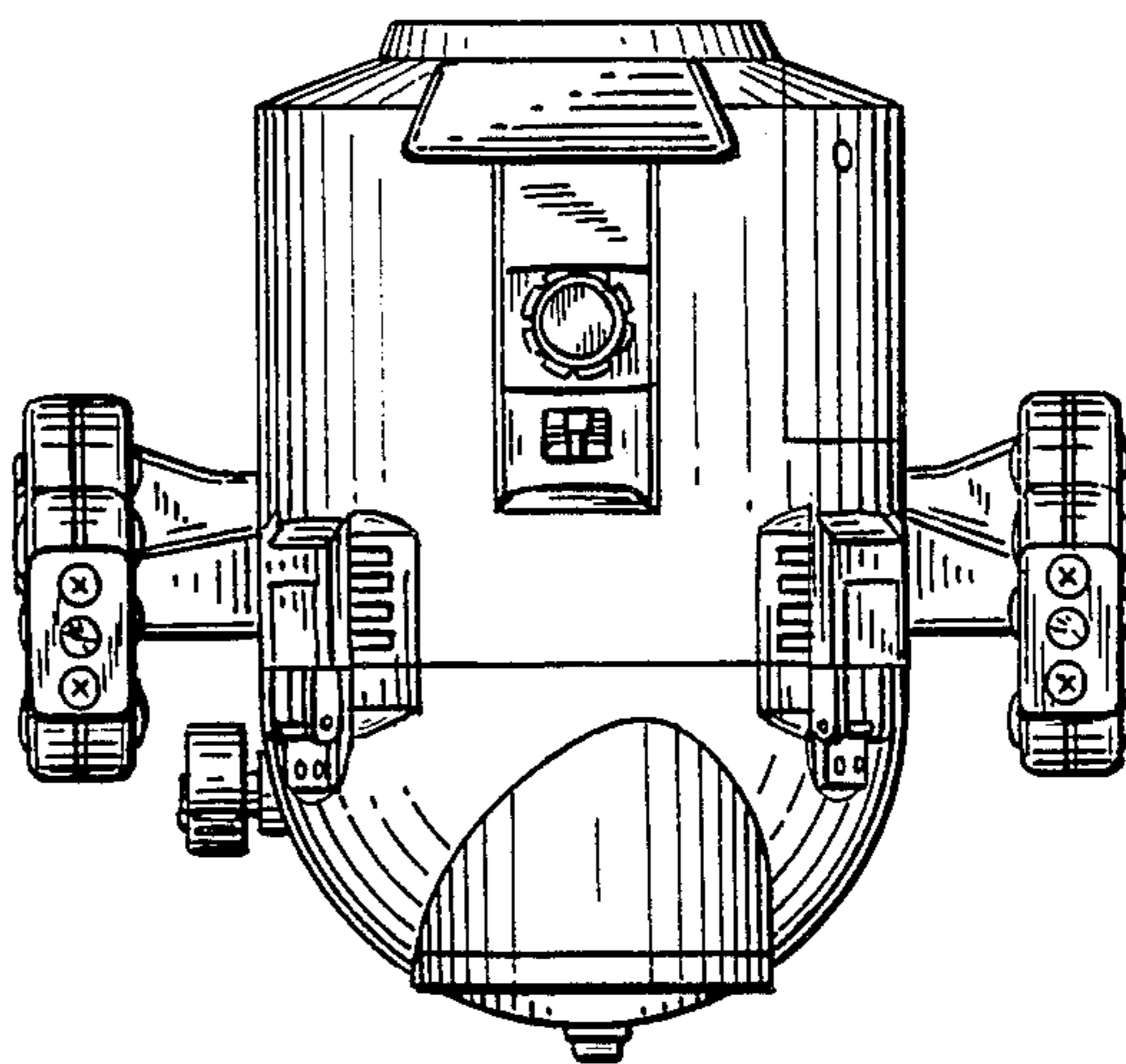


*FIG. 4*

*FIG. 5*



*FIG. 6*



*FIG. 7*

