

United States Patent [19]
MacKelvie

[11] **Patent Number: Des. 304,200**
 [45] **Date of Patent: ** Oct. 24, 1989**

[54] **HOLDER FOR TOOL SETTER GAUGE**
 [75] **Inventor: Philip A. MacKelvie, Silver Plume, Colo.**
 [73] **Assignee: Technical Tools, Inc., Lakewood, Colo.**
 [**] **Term: 14 Years**
 [21] **Appl. No.: 45,677**
 [22] **Filed: May 4, 1987**
 [52] **U.S. Cl. D15/140; 82/152; D8/72**
 [58] **Field of Search 82/152; 33/371, 384, 33/626, 628, 629, 630, 636, 637; D15/140; D8/72**
 [56] **References Cited**
U.S. PATENT DOCUMENTS
 D. 259,464 6/1981 Paley D8/72

D. 260,235 8/1981 Anderson et al. D8/72
 D. 267,625 1/1983 Dark D8/72
 2,777,210 1/1957 Johnson 33/628 X
 4,473,957 10/1984 Faulkner 33/371 X

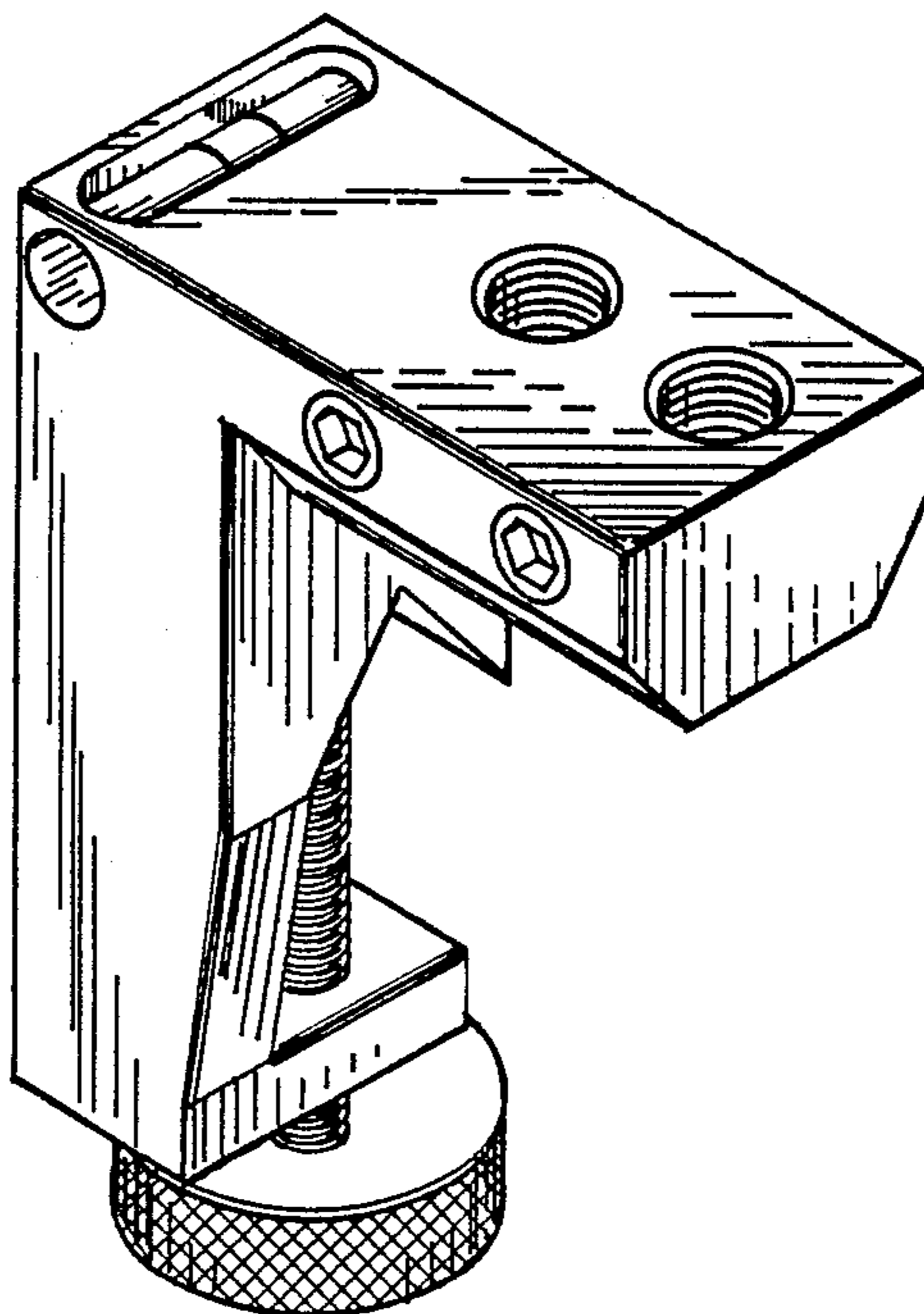
Primary Examiner—Bruce W. Dunkins
Assistant Examiner—Jeffrey Asch
Attorney, Agent, or Firm—Fields, Lewis, Pittenger & Rost

[57] **CLAIM**

The ornamental design for the holder for tool setter gauge as shown and described.

DESCRIPTION

FIG. 1 is a top perspective view of a holder for tool setter gauge showing my new design;
 FIG. 2 is an elevation view showing the side opposite that shown in FIG. 1 on a reduced scale;
 FIG. 3 is an end elevational view taken from the left of FIG. 1 on a reduced scale; and,
 FIG. 4 is a bottom plan view thereof on a reduced scale.



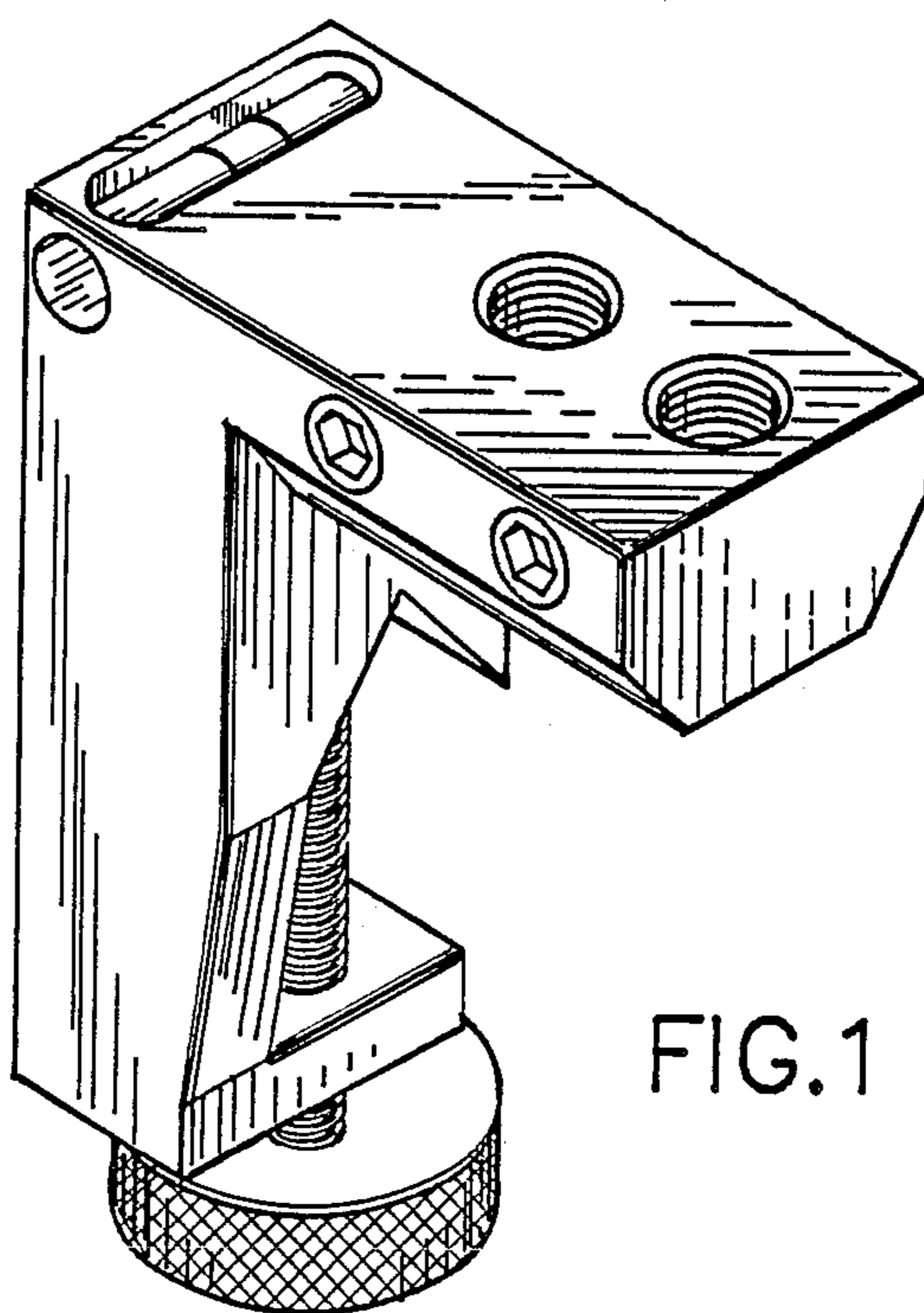


FIG. 1

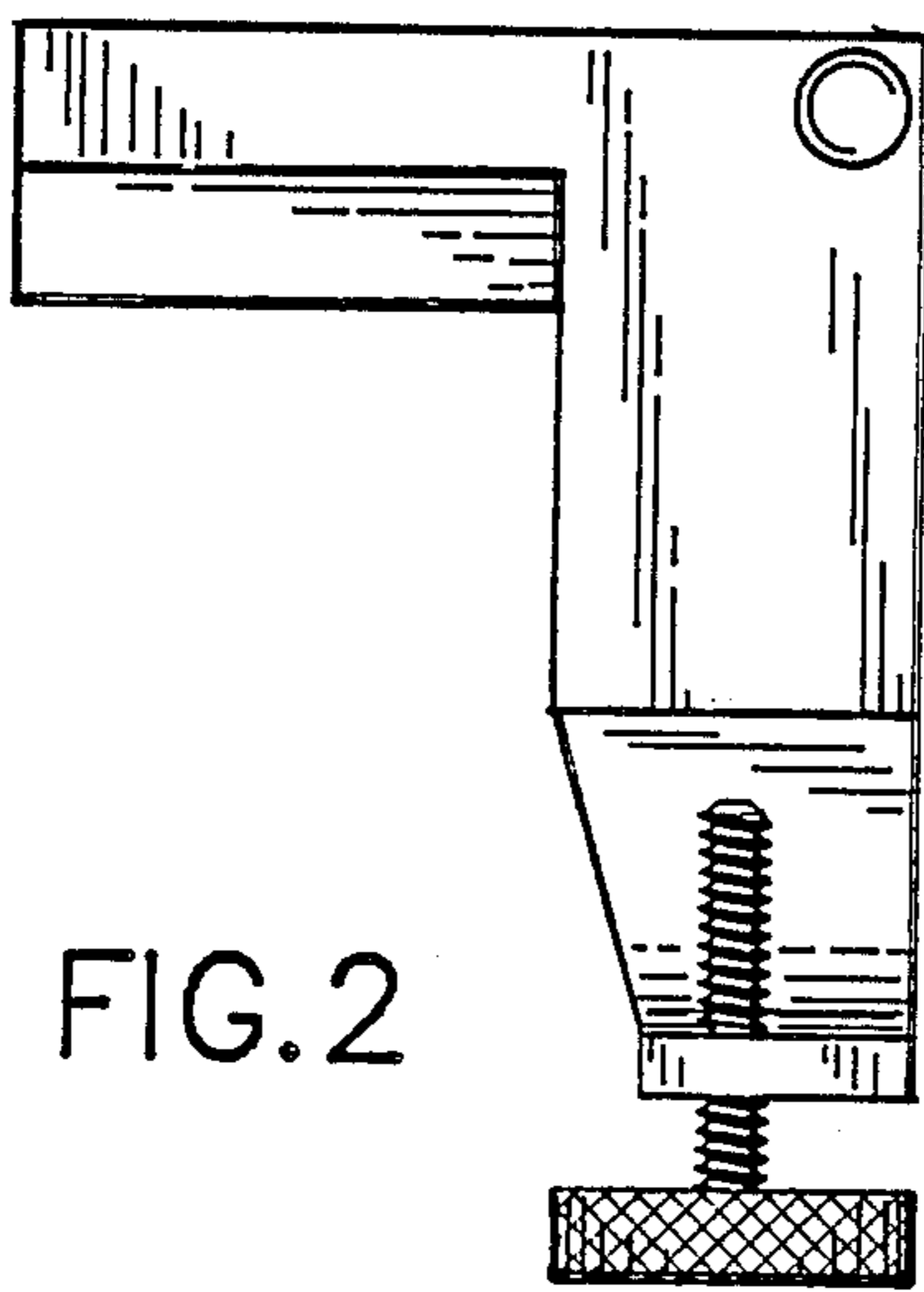


FIG. 2

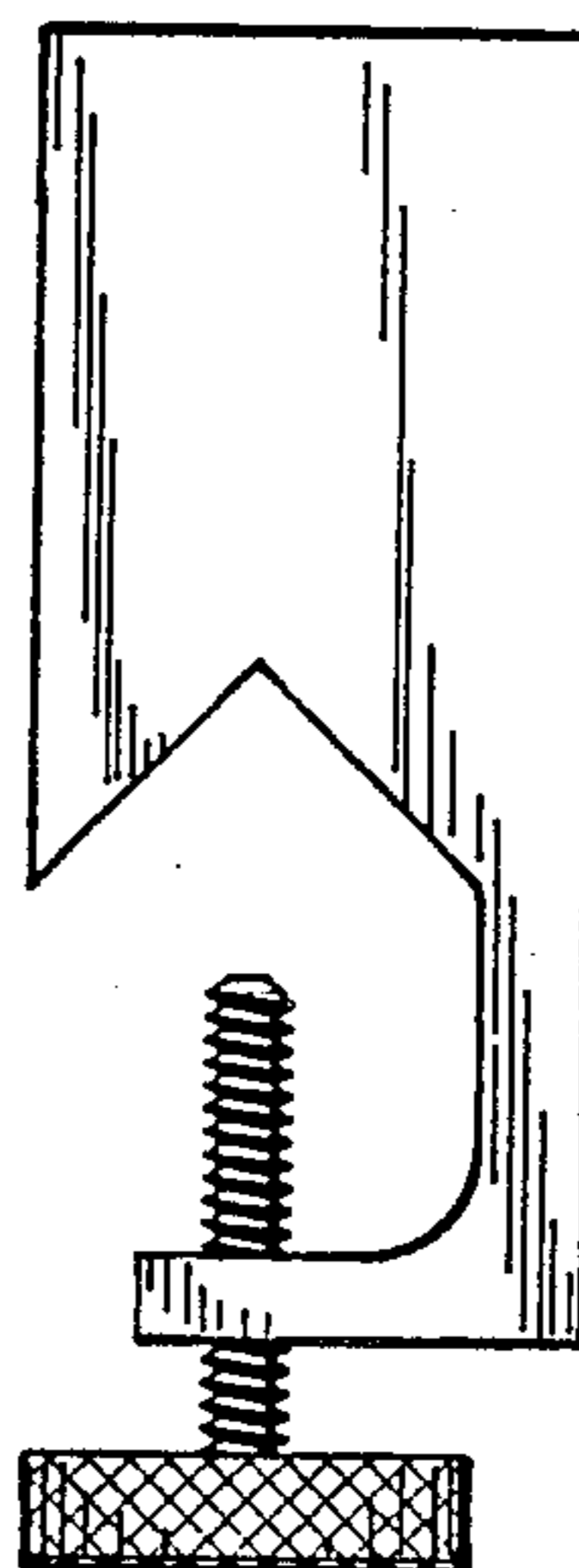


FIG. 3

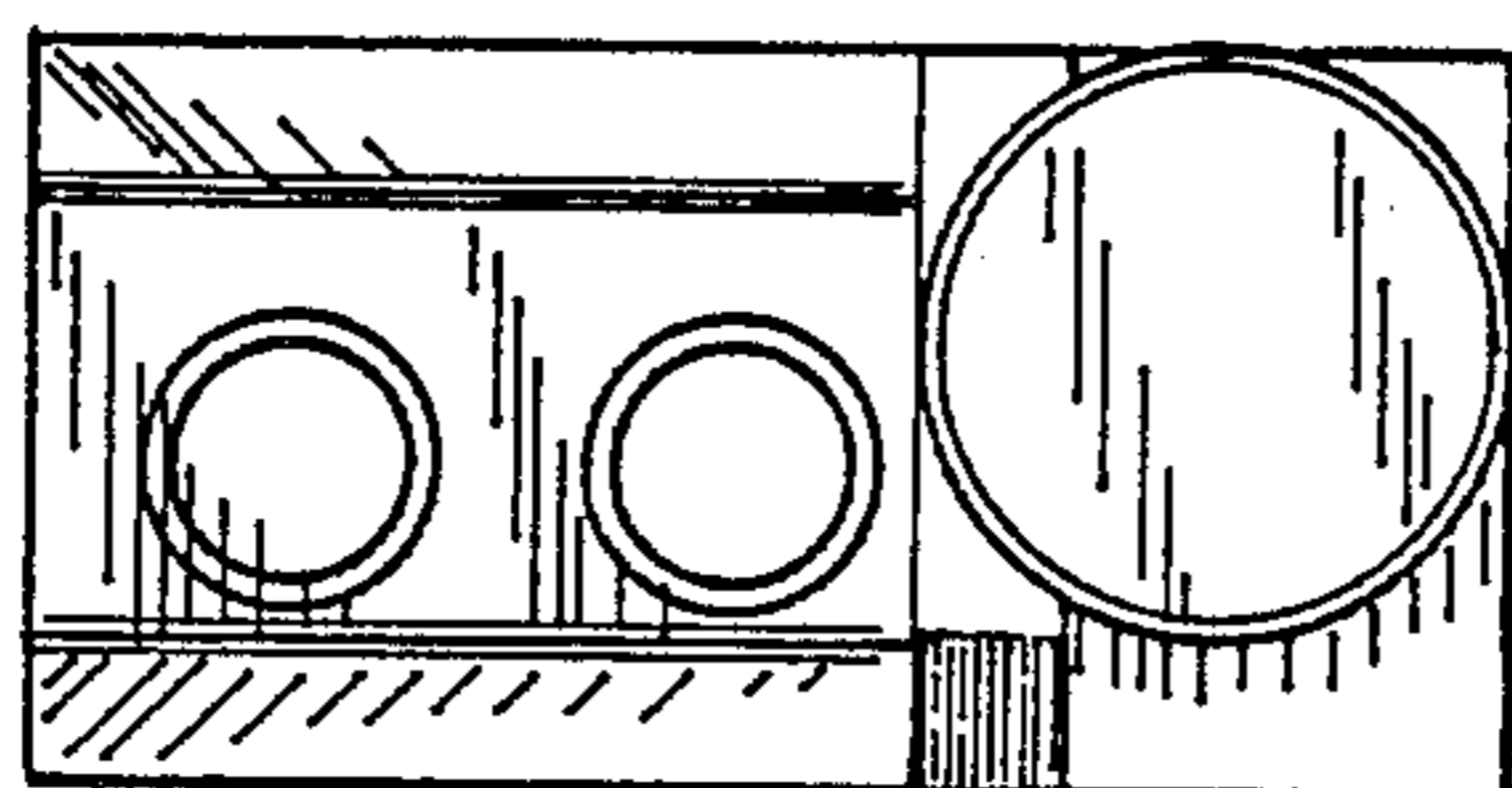


FIG. 4