

# United States Patent [19]

Adolfo

[11] Patent Number: Des. 304,197

[45] Date of Patent: \*\* Oct. 24, 1989

[54] AIR COMPRESSOR

[75] Inventor: Adolfo Boldrini, Milan, Italy

[73] Assignee: Ing. Enea Mattei S.p.A., Vimodrone, Italy

[\*\*] Term: 14 Years

[21] Appl. No.: 76,562

[22] Filed: Jul. 21, 1987

[30] Foreign Application Priority Data

Feb. 2, 1987 [IT] Italy ..... 20717/87[U]

[52] U.S. Cl. .... D15/9

[58] Field of Search ..... D15/7, 9; 417/321, 405, 417/410, 416, 420, 423 R, 572; 415/DIG. 6

[56] References Cited

U.S. PATENT DOCUMENTS

D. 245,005 7/1977 Carter ..... D8/9

D. 270,733 9/1983 Davis ..... D8/9  
D. 282,546 2/1986 Ozu et al. .... D8/9  
D. 294,361 2/1988 Williams ..... D8/9  
3,476,309 11/1969 Harlin ..... 417/572

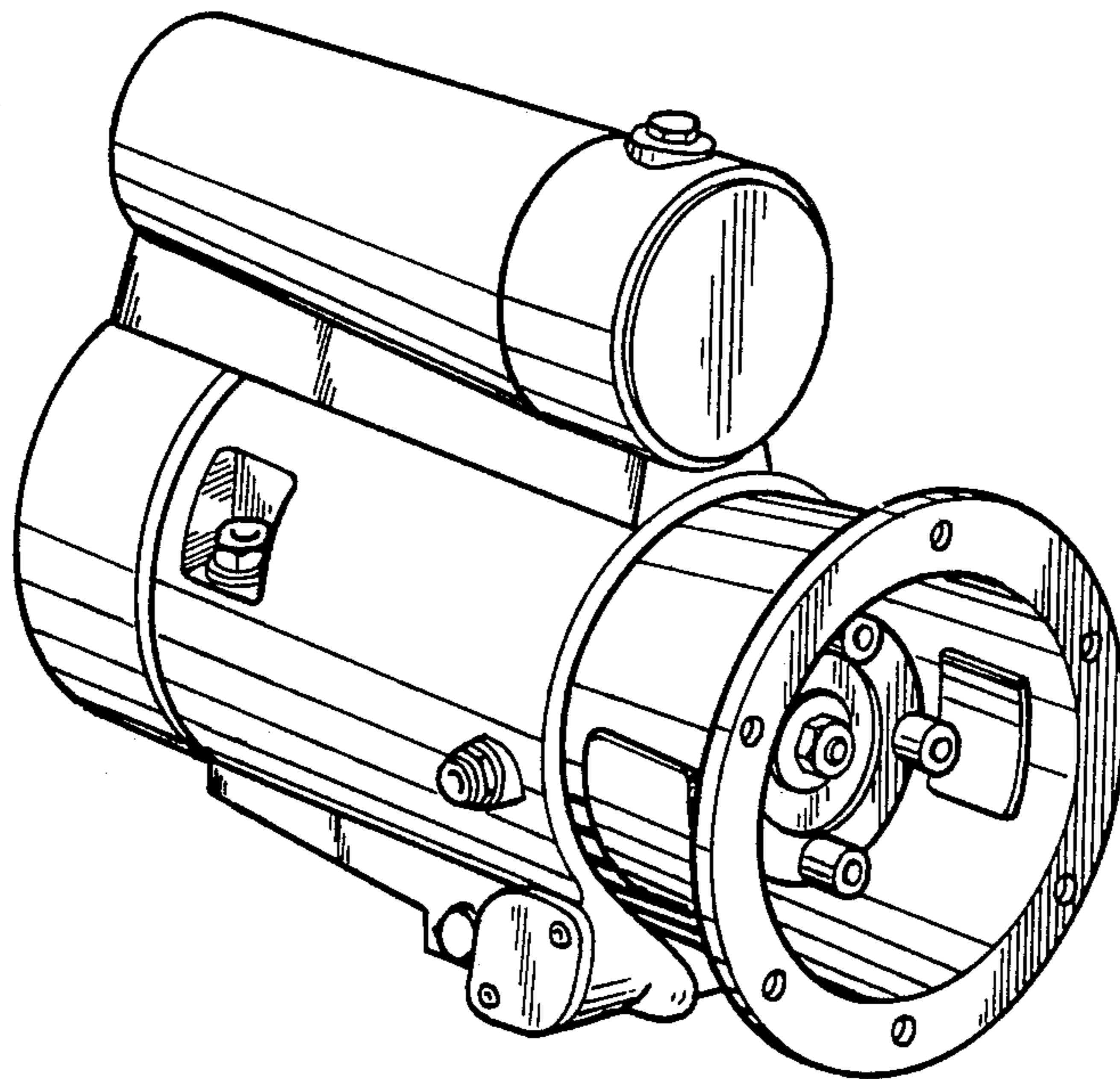
Primary Examiner—Wallace R. Burke  
Assistant Examiner—Brian N. Vinson  
Attorney, Agent, or Firm—Beveridge, DeGrandi & Weilacher

[57] CLAIM

The ornamental design for an air compressor, as shown and described.

## DESCRIPTION

FIG. 1 is a top, rear and right side perspective view of an air compressor showing my new design;  
FIG. 2 is a top, front and right side perspective view thereof;  
FIG. 3 is a right side elevational view thereof, the undisclosed left side being a mirror image of that shown; and  
FIG. 4 is a front elevational view thereof.



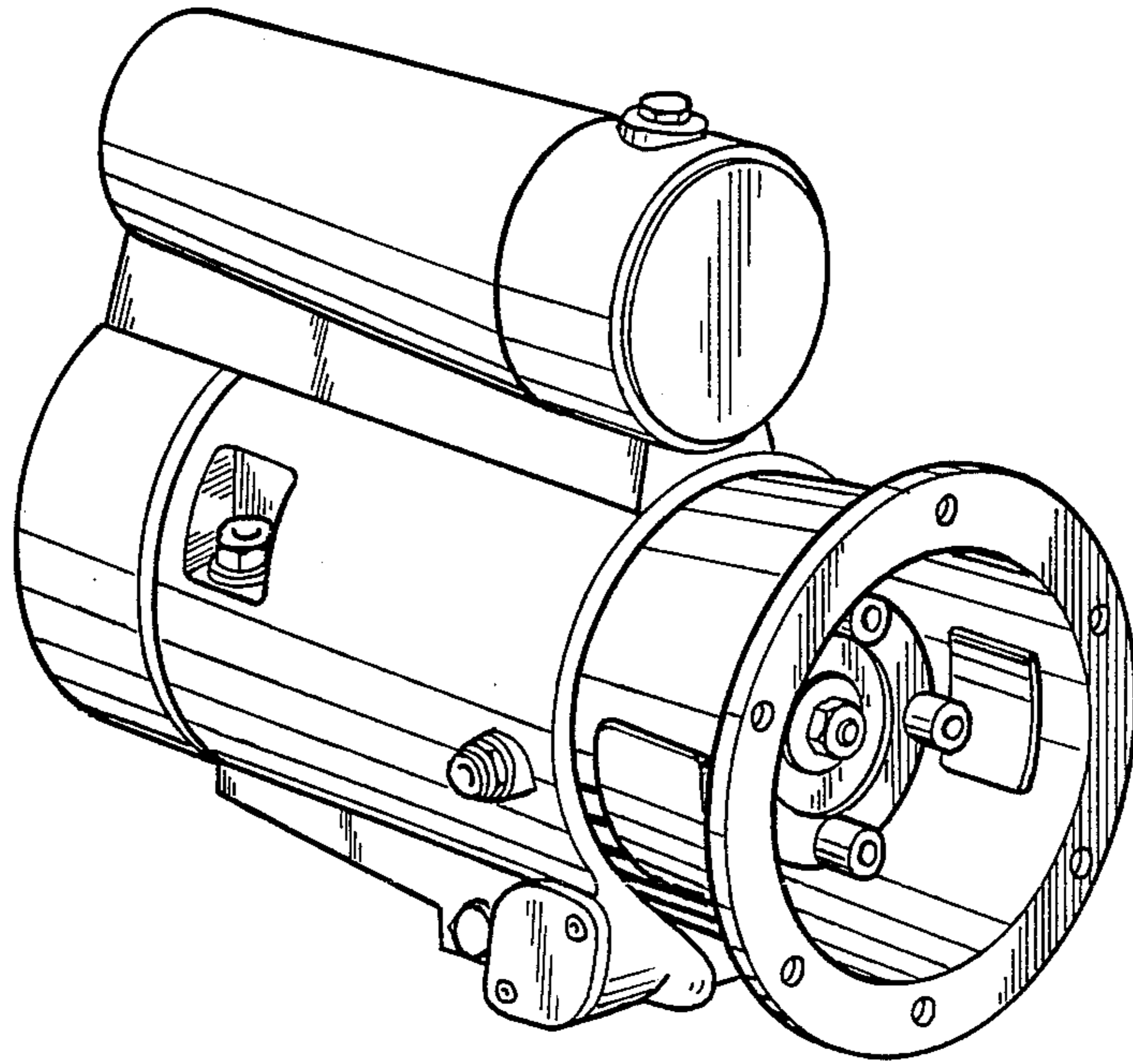


Fig. 1

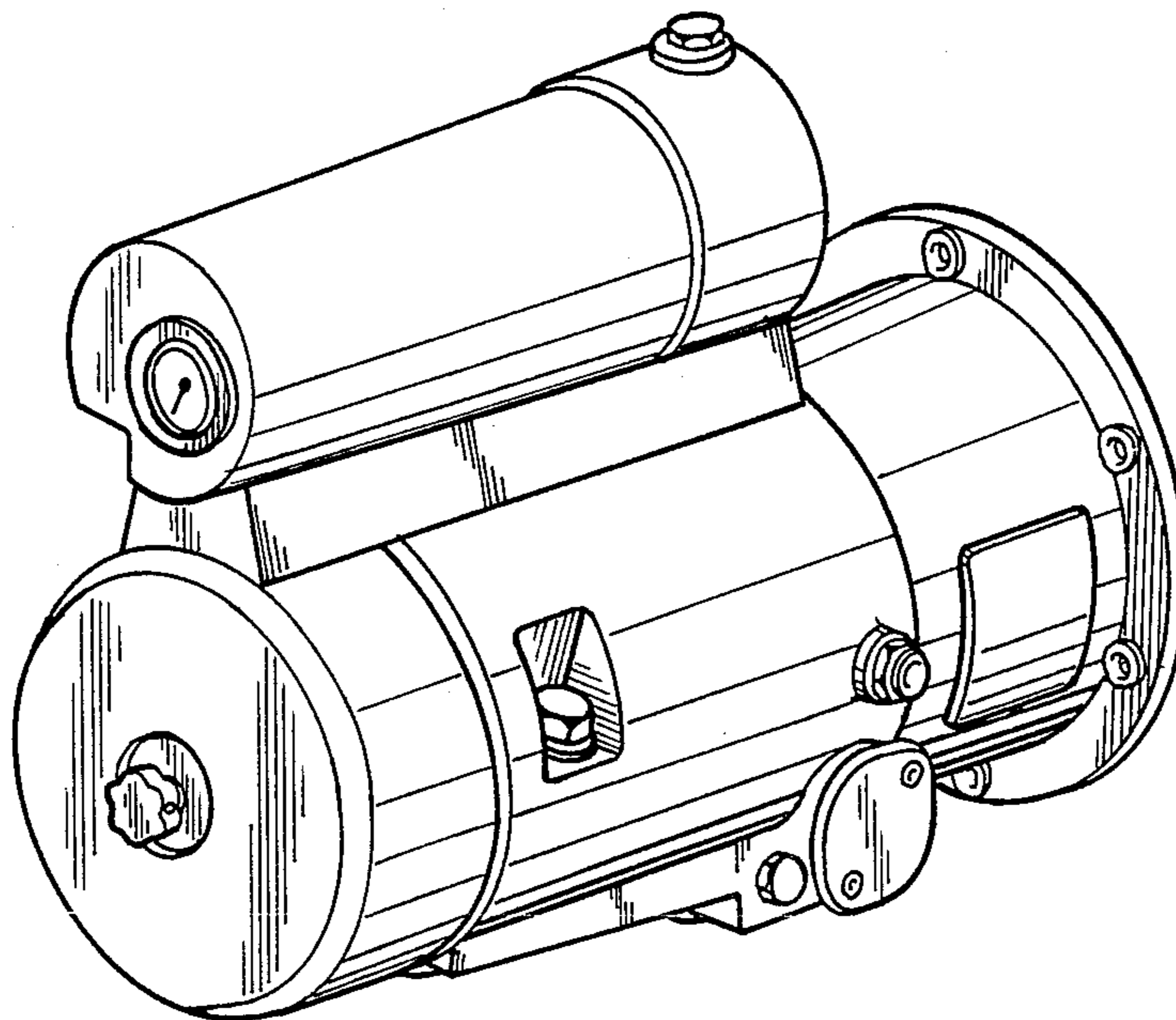


Fig. 2

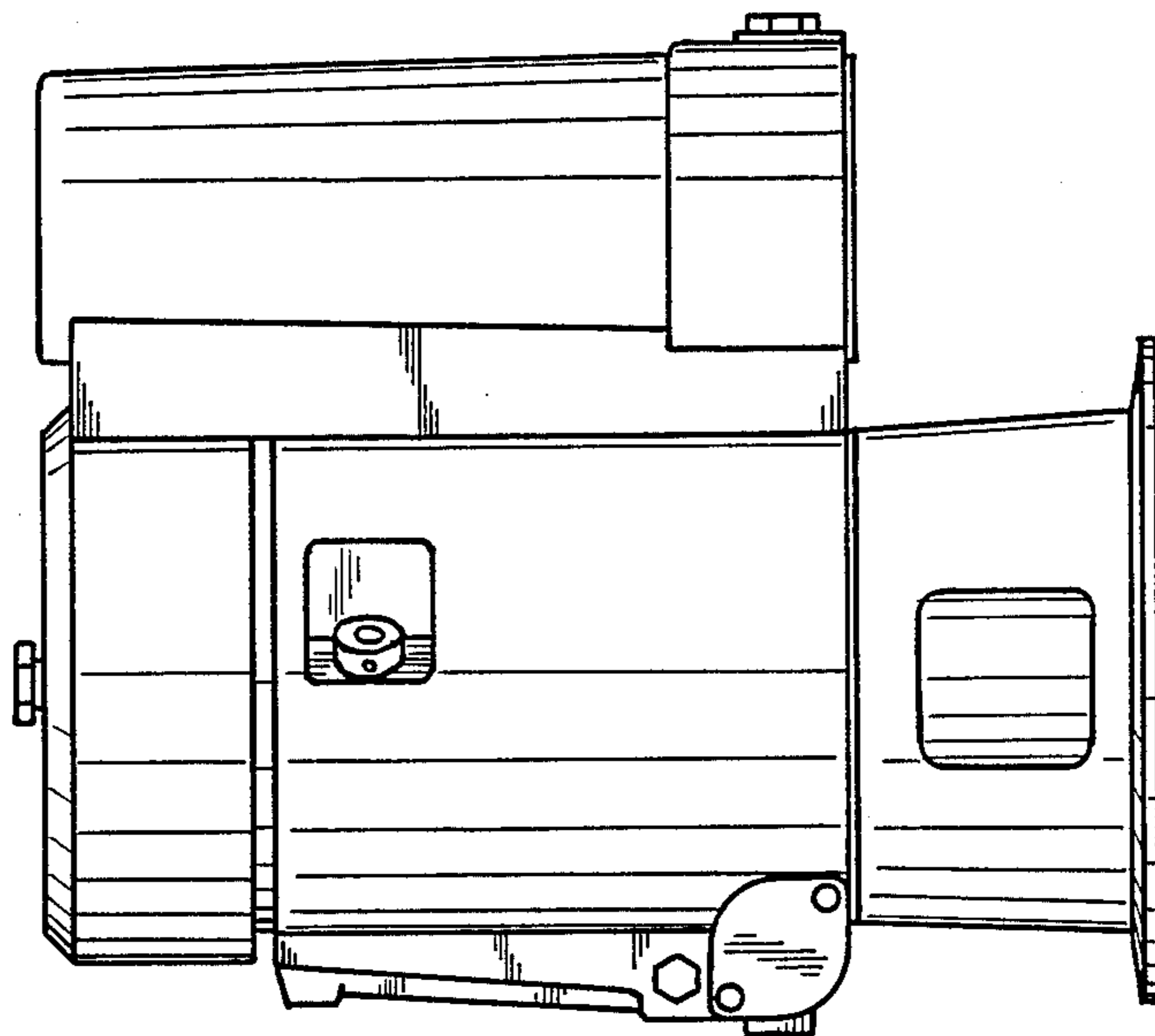


Fig. 3

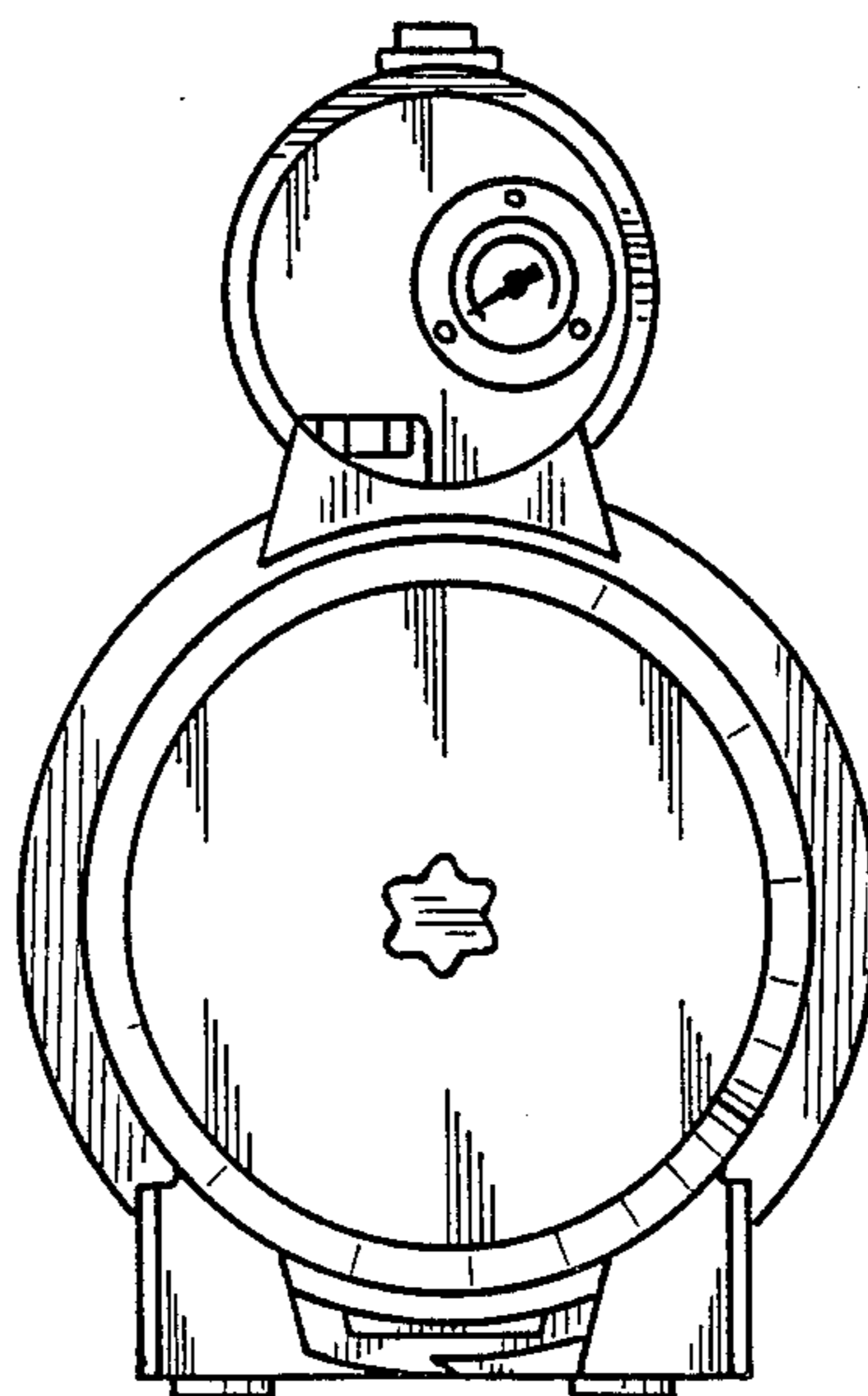


Fig. 4