

[54] POWER HEAD FOR A VEGETATION CUTTER

[75] Inventors: Lloyd H. Tuggle; Jeffery G. Sadler, both of Shreveport, La.

[73] Assignee: White Consolidated Industries, Inc., Cleveland, Ohio

[**] Term: 14 Years

[21] Appl. No.: 131,537

[22] Filed: Dec. 11, 1987

[52] U.S. Cl. D15/1; D8/8

[58] Field of Search D8/1, 7-8; 30/276, 272; 56/10.1, 12.7, 294-295, 249, 289; D15/1

[56] References Cited

U.S. PATENT DOCUMENTS

D. 249,012	8/1978	Everts	D8/8
D. 250,745	1/1979	Kuwano	D8/8
D. 252,130	6/1979	Hoff	D8/8
D. 260,394	8/1981	Tuggle	D8/8 X

Primary Examiner—Wallace R. Burke
Assistant Examiner—B. Vinson
Attorney, Agent, or Firm—Hubbard, Thurman, Turner & Tucker

[57] CLAIM

The ornamental design for a power head for a vegetation cutter, as shown and described.

DESCRIPTION

FIG. 1 is a perspective view of a power head for a vegetation cutter showing our new design, the broken-line showing of the shaft and cutter portion being for illustrative purposes only and forming no part of the claimed design;

FIG. 2 is an enlarged front and right side perspective view thereof;

FIG. 3 is an enlarged front elevational view thereof;

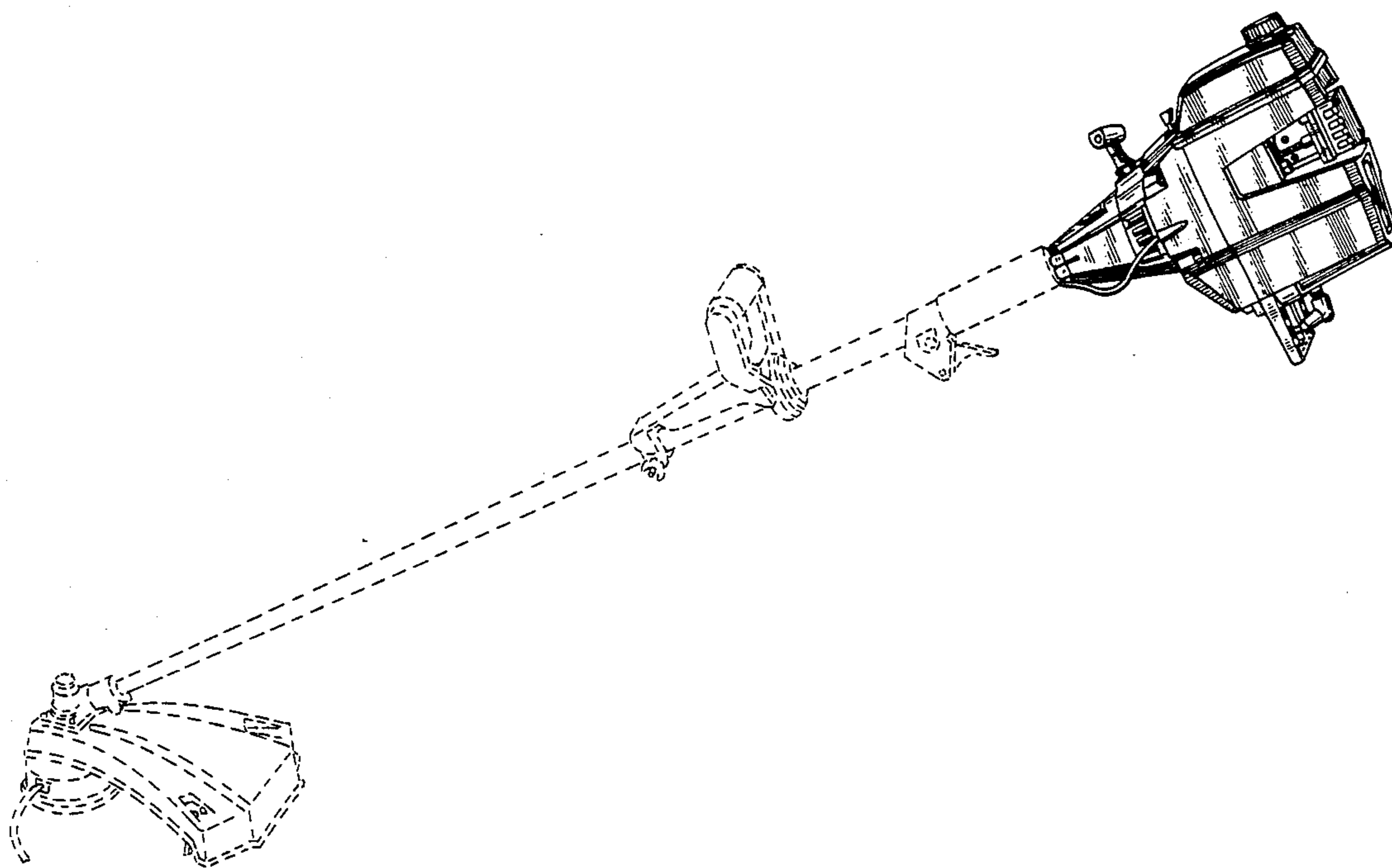
FIG. 4 is an enlarged left side elevational view thereof;

FIG. 5 is an enlarged rear elevational view thereof;

FIG. 6 is an enlarged right side elevational view thereof;

FIG. 7 is an enlarged top plan view thereof; and

FIG. 8 is an enlarged bottom plan view thereof.



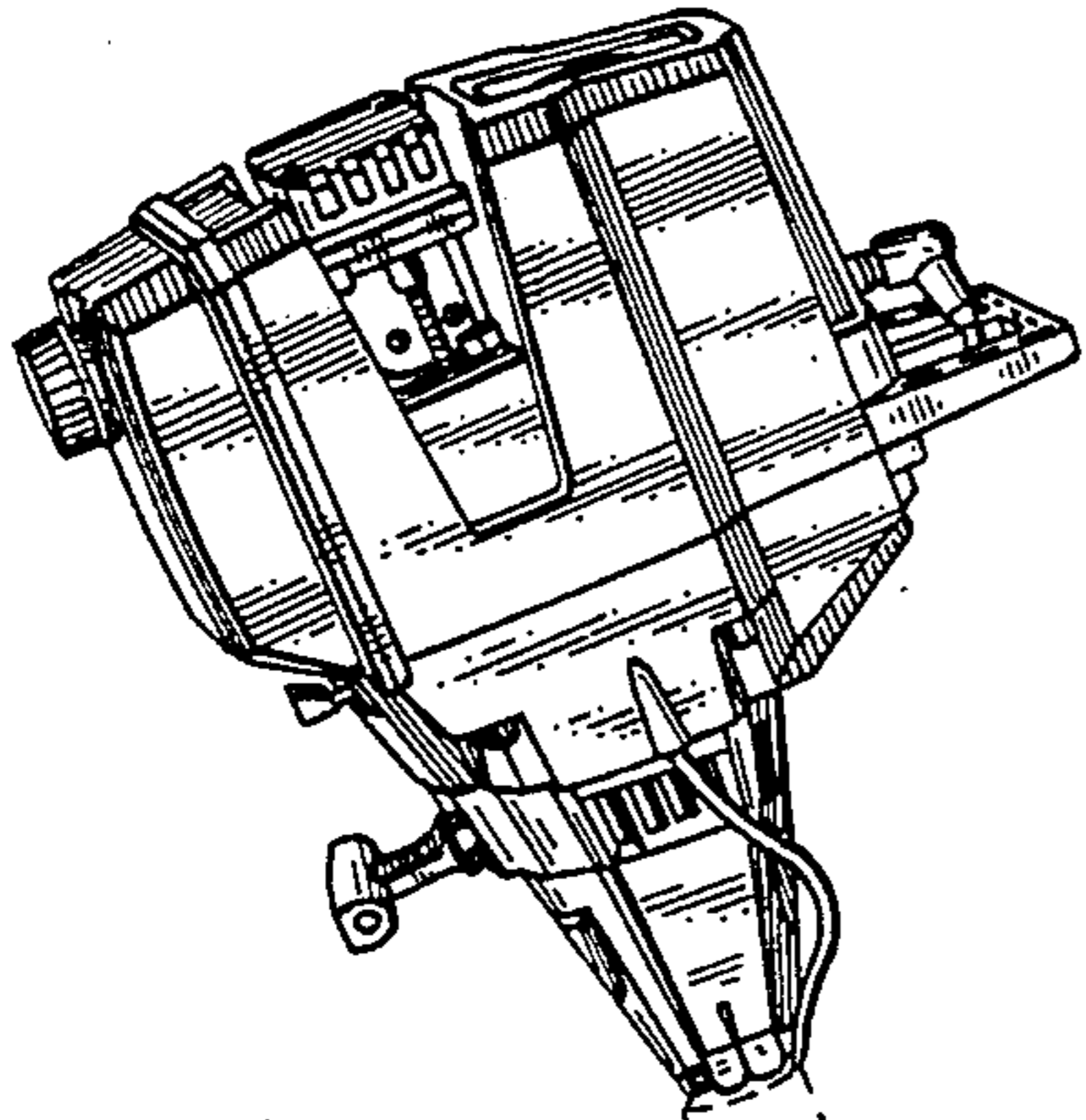


FIG. 1

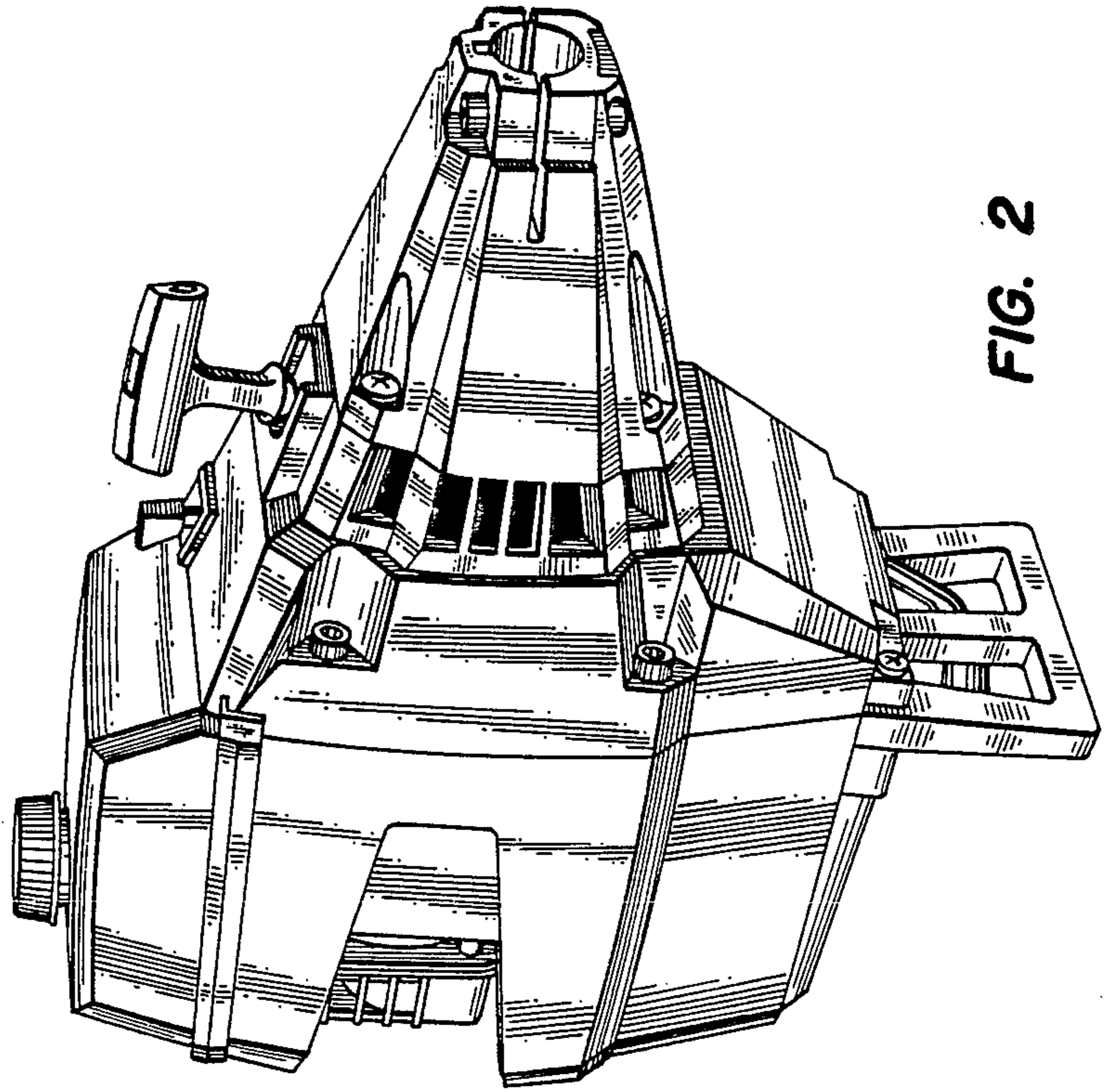
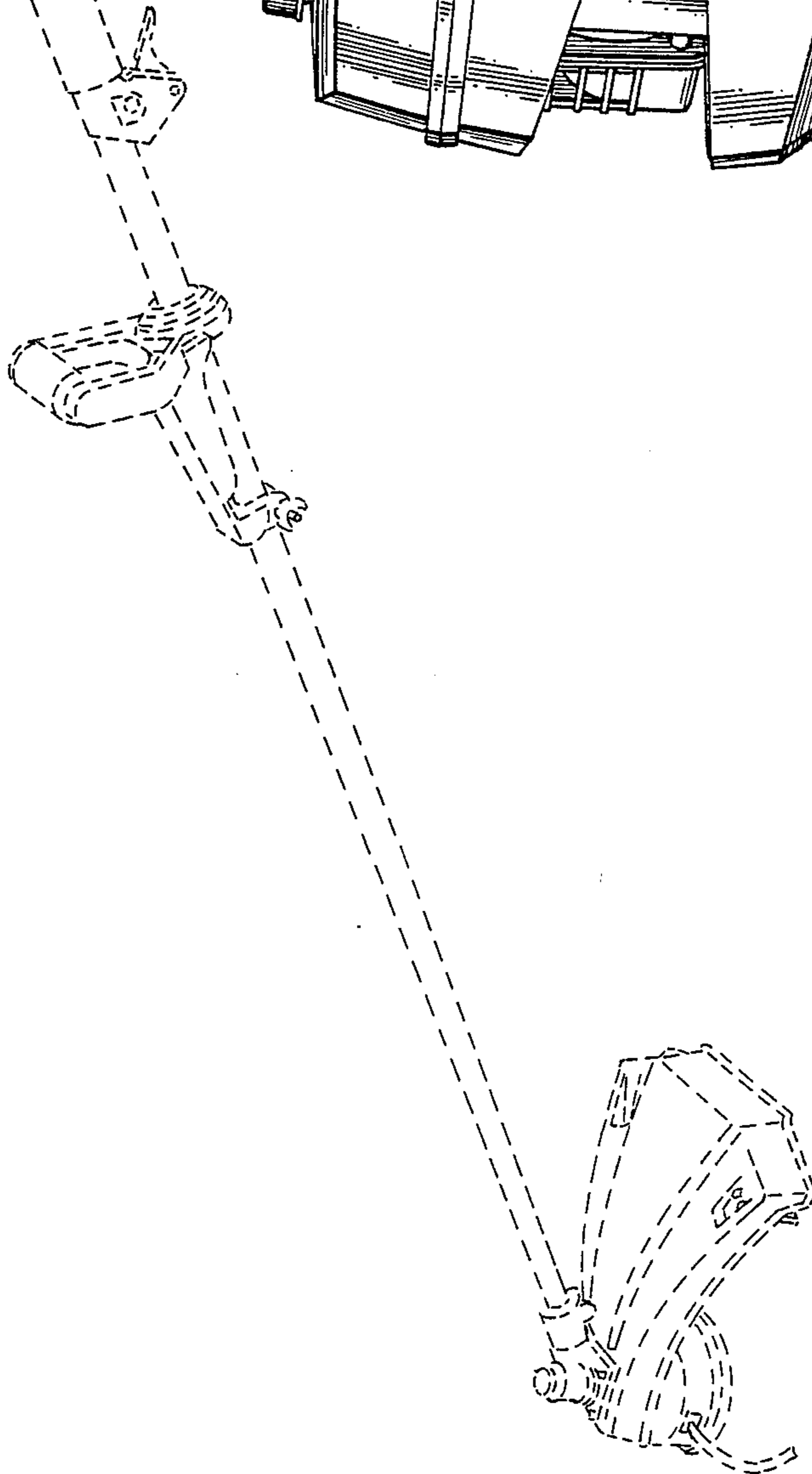


FIG. 2



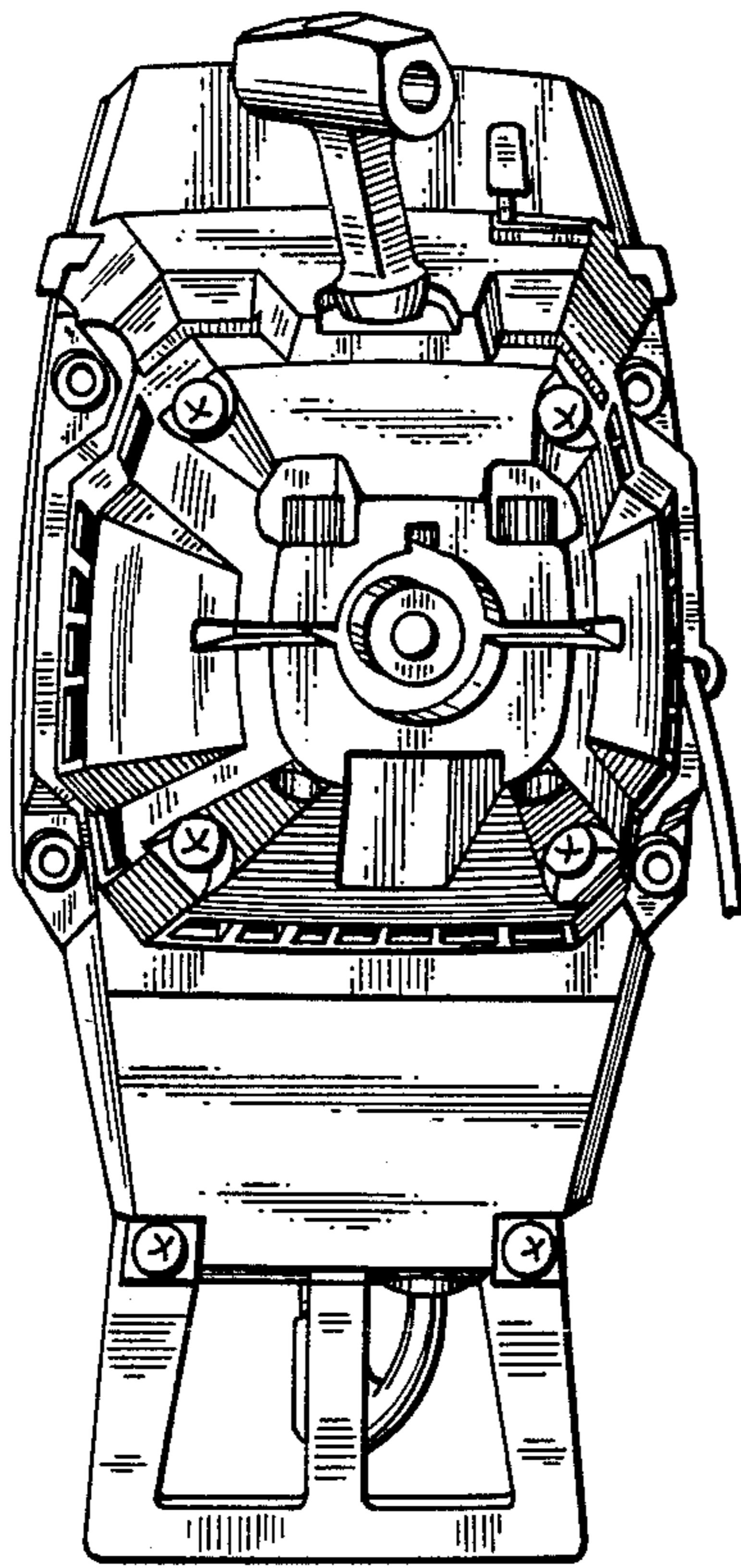


FIG. 3

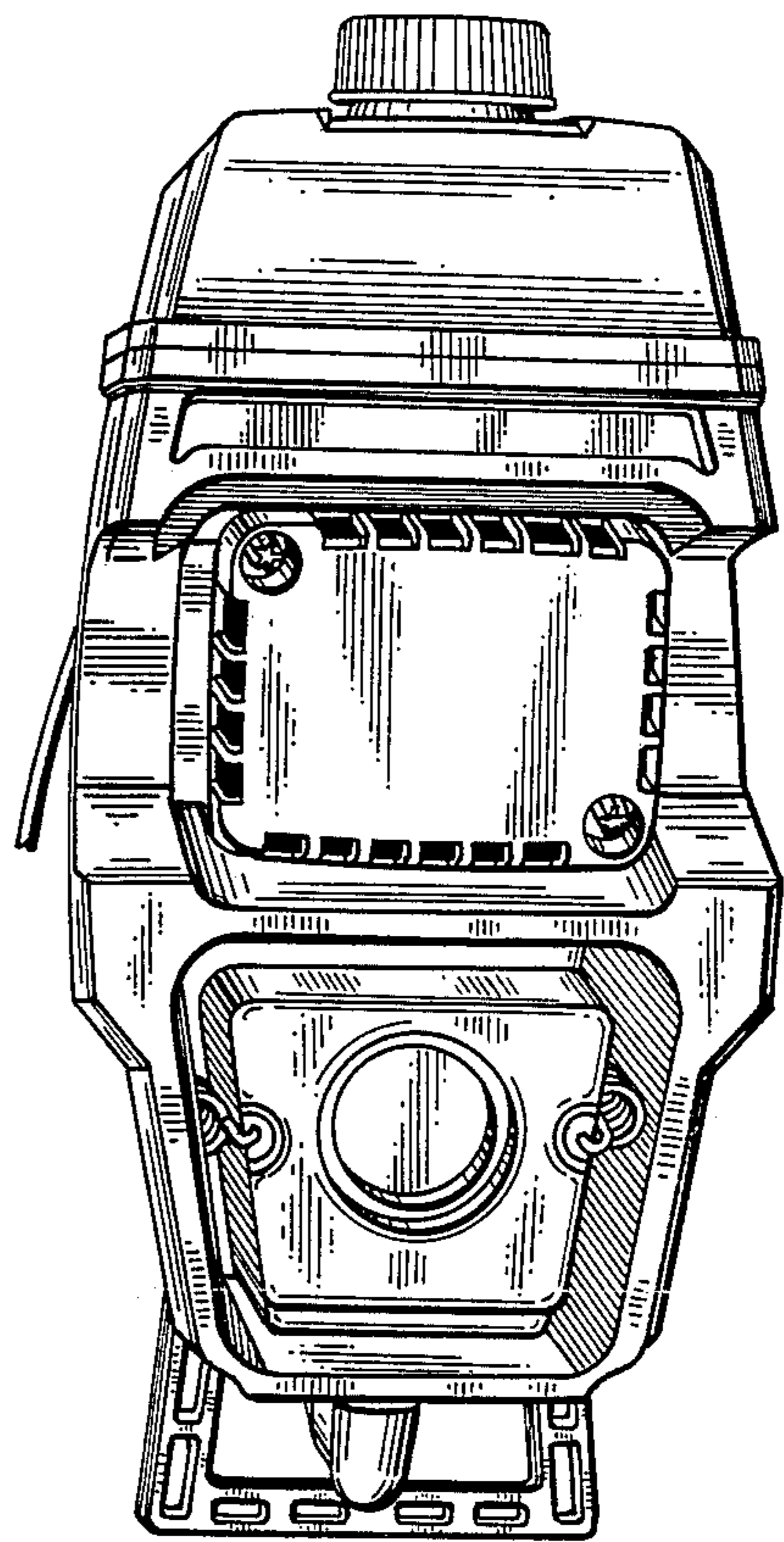


FIG. 5

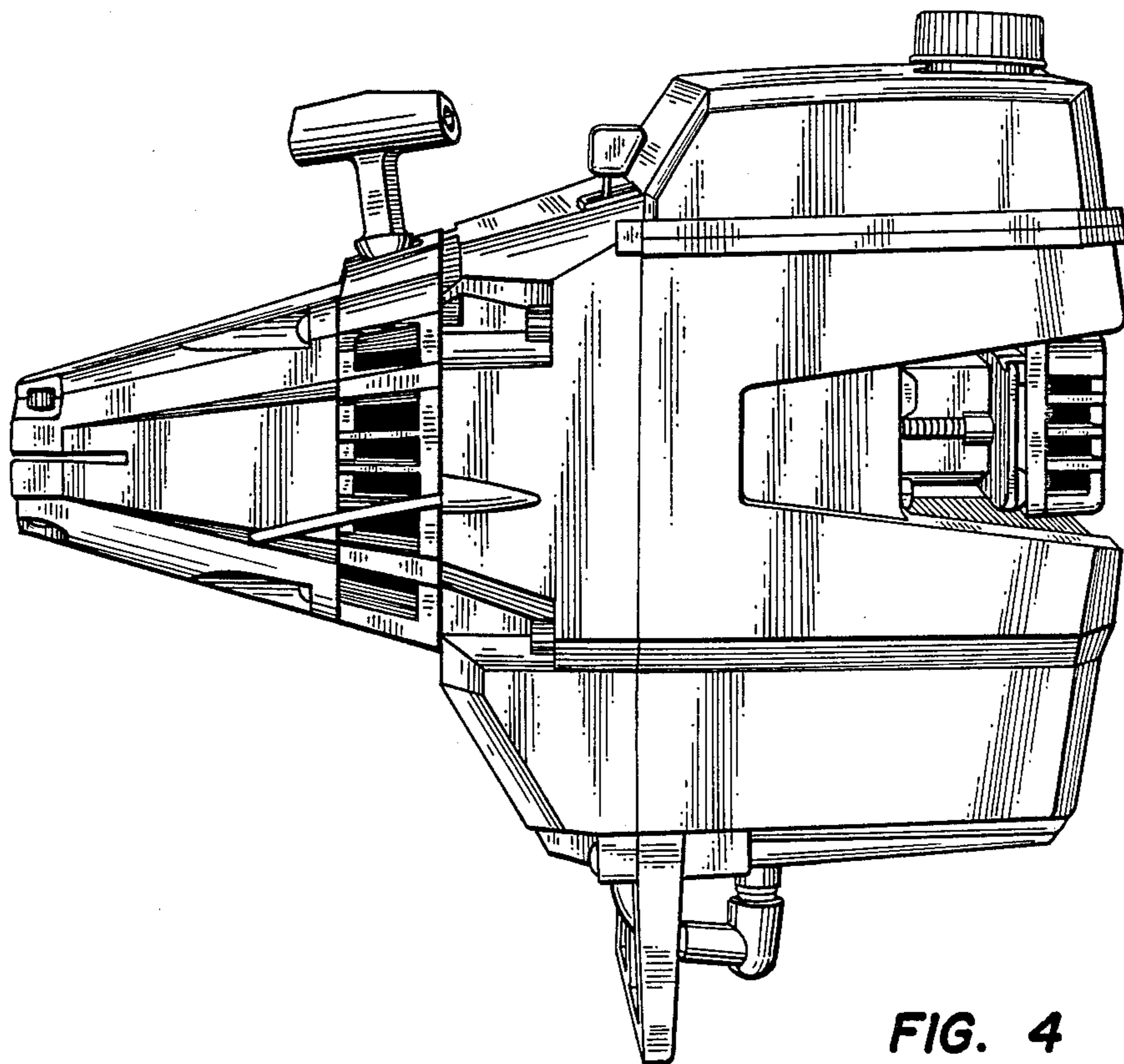


FIG. 4

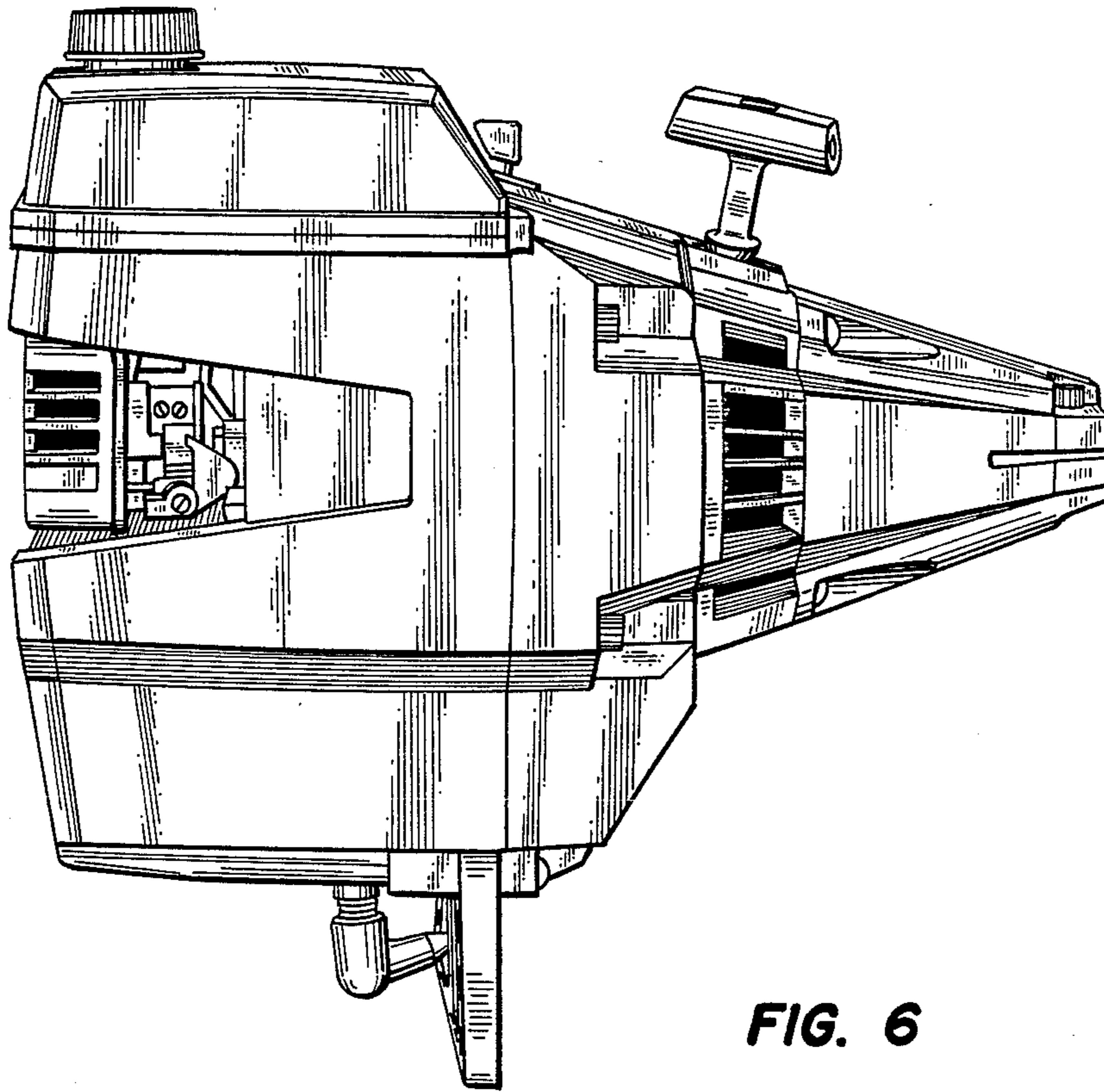


FIG. 6

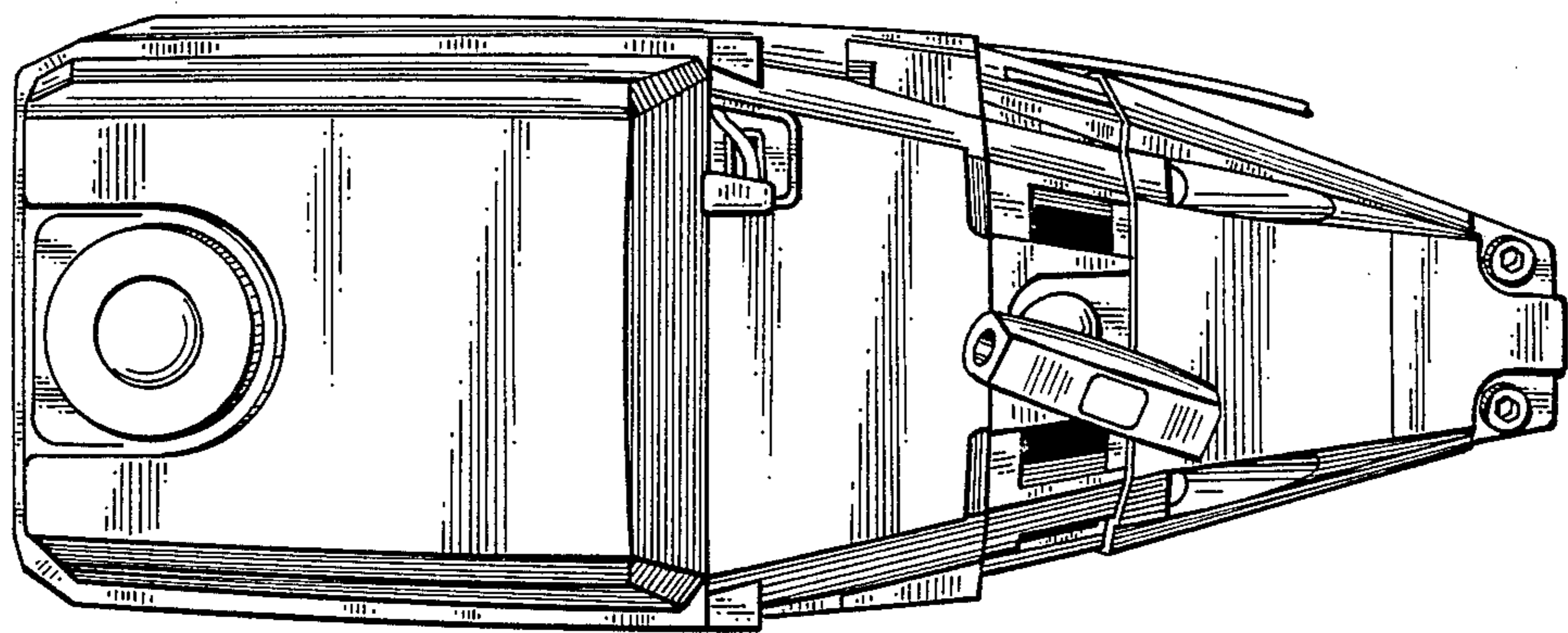


FIG. 7

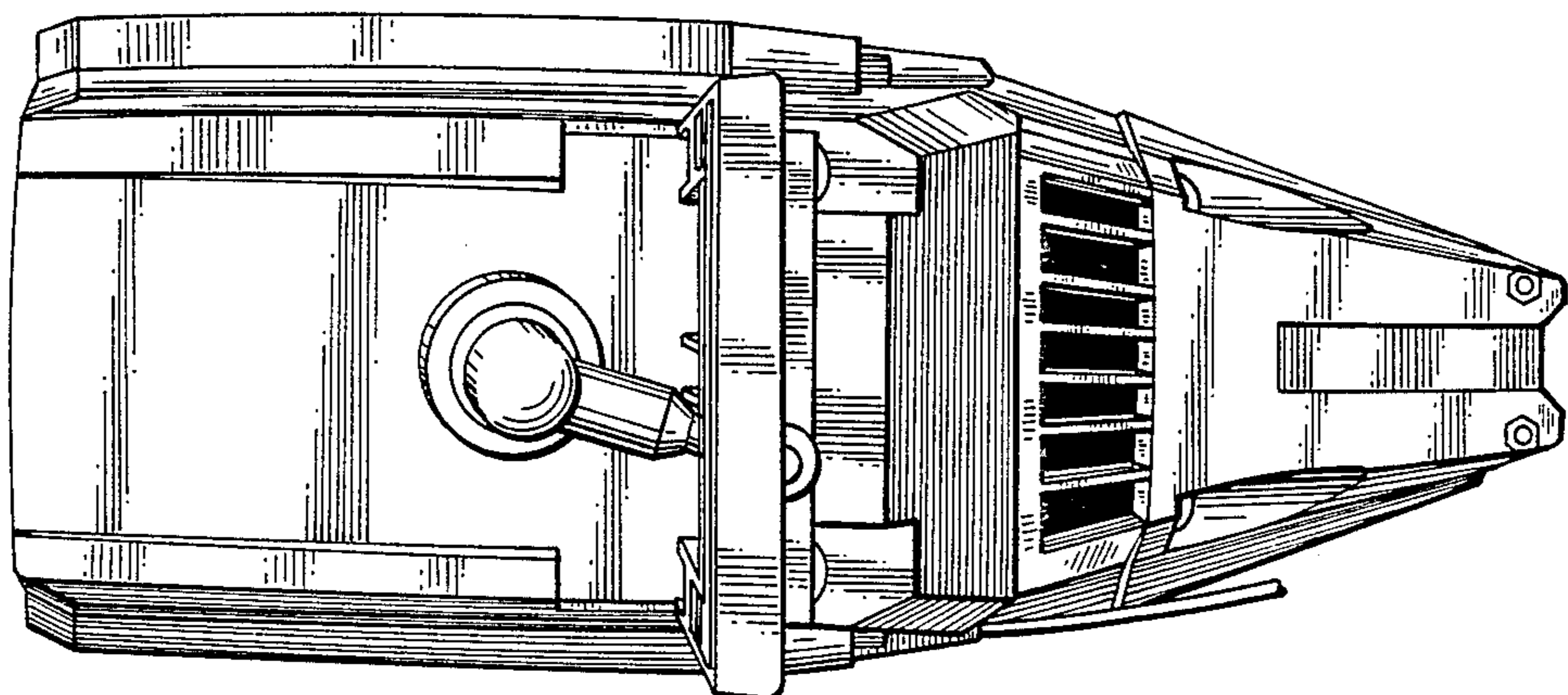


FIG. 8