

United States Patent [19]

Hayasaka et al.

[11] Patent Number: Des. 304,192

[45] Date of Patent: ** Oct. 24, 1989

[54] RADIO PAGER

[75] Inventors: Sigeki Hayasaka; Mamoru Takahashi, both of Tokyo, Japan

[73] Assignee: NEC Corporation, Tokyo, Japan

[**] Term: 14 Years

[21] Appl. No.: 152,608

[22] Filed: Feb. 5, 1988

[30] Foreign Application Priority Data

Aug. 6, 1987 [JP] Japan 62-32235

[52] U.S. Cl. D14/191

[58] Field of Search D14/155, 168, 188, 189, D14/191, 192, 197, 198, 225, 226; 455/92, 100, 128, 351; 340/311.1

[56] References Cited

U.S. PATENT DOCUMENTS

D. 281,600 12/1985 Claxton et al. D14/191

D. 284,472 7/1986 Nakatani et al. D14/191
D. 286,287 10/1986 Toth et al. D14/191
D. 290,608 6/1987 Fisher D14/191
D. 291,310 8/1987 Ogura D14/191

Primary Examiner—Bernard Ansher
Assistant Examiner—Theodore M. Shooman
Attorney, Agent, or Firm—Sughrue, Mion, Zinn, Macpeak & Seas

[57] CLAIM

A radio pager, as shown.

DESCRIPTION

FIG. 1 is a front, top and right side perspective view of a radio pager showing our new design;
FIG. 2 is a front elevational view thereof;
FIG. 3 is a rear elevational view thereof;
FIG. 4 is a top plan view thereof;
FIG. 5 is a bottom plan view thereof;
FIG. 6 is a left side elevational view thereof; and
FIG. 7 is a right side elevational view thereof.

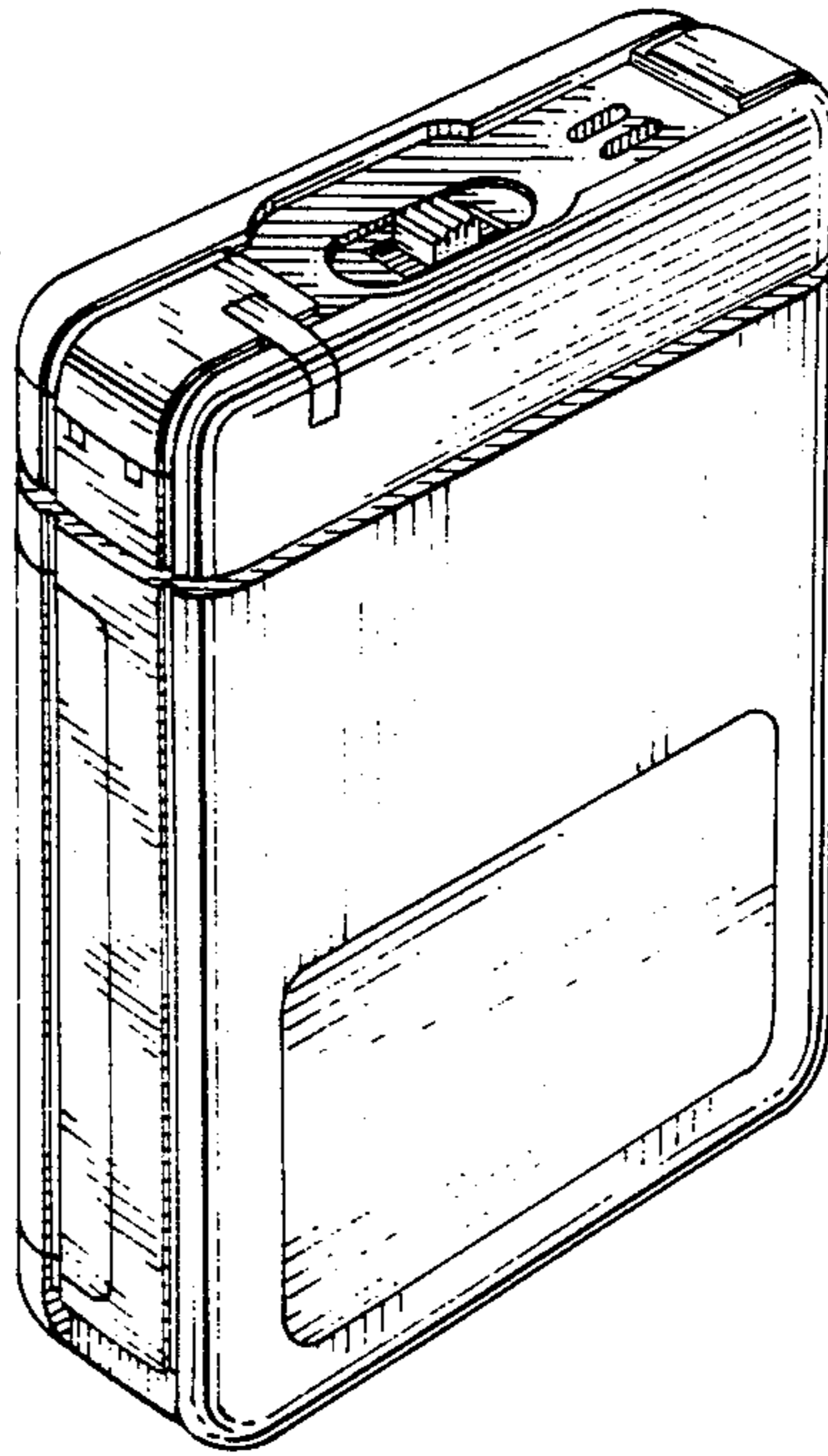


FIG. 1

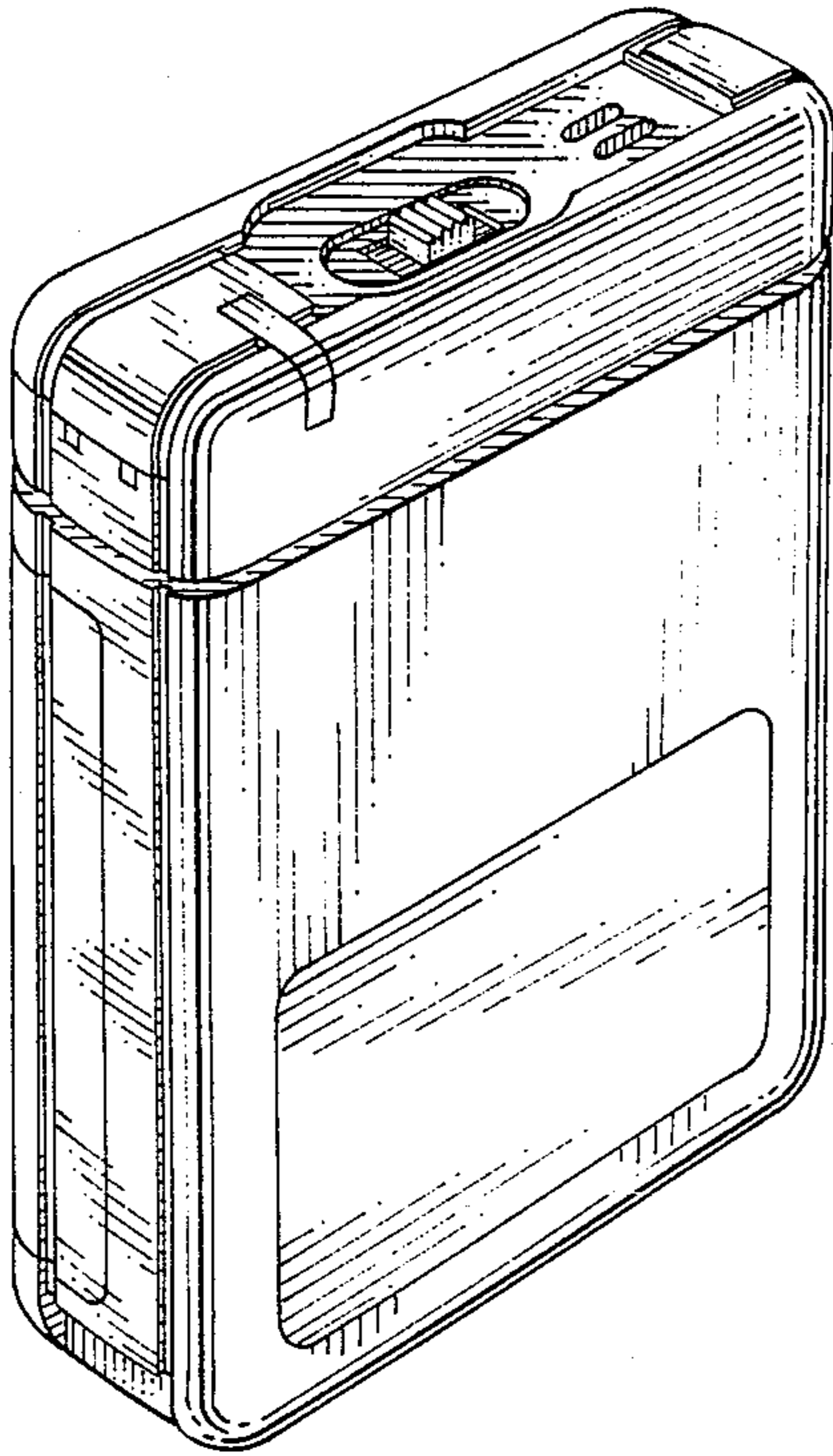


FIG. 2

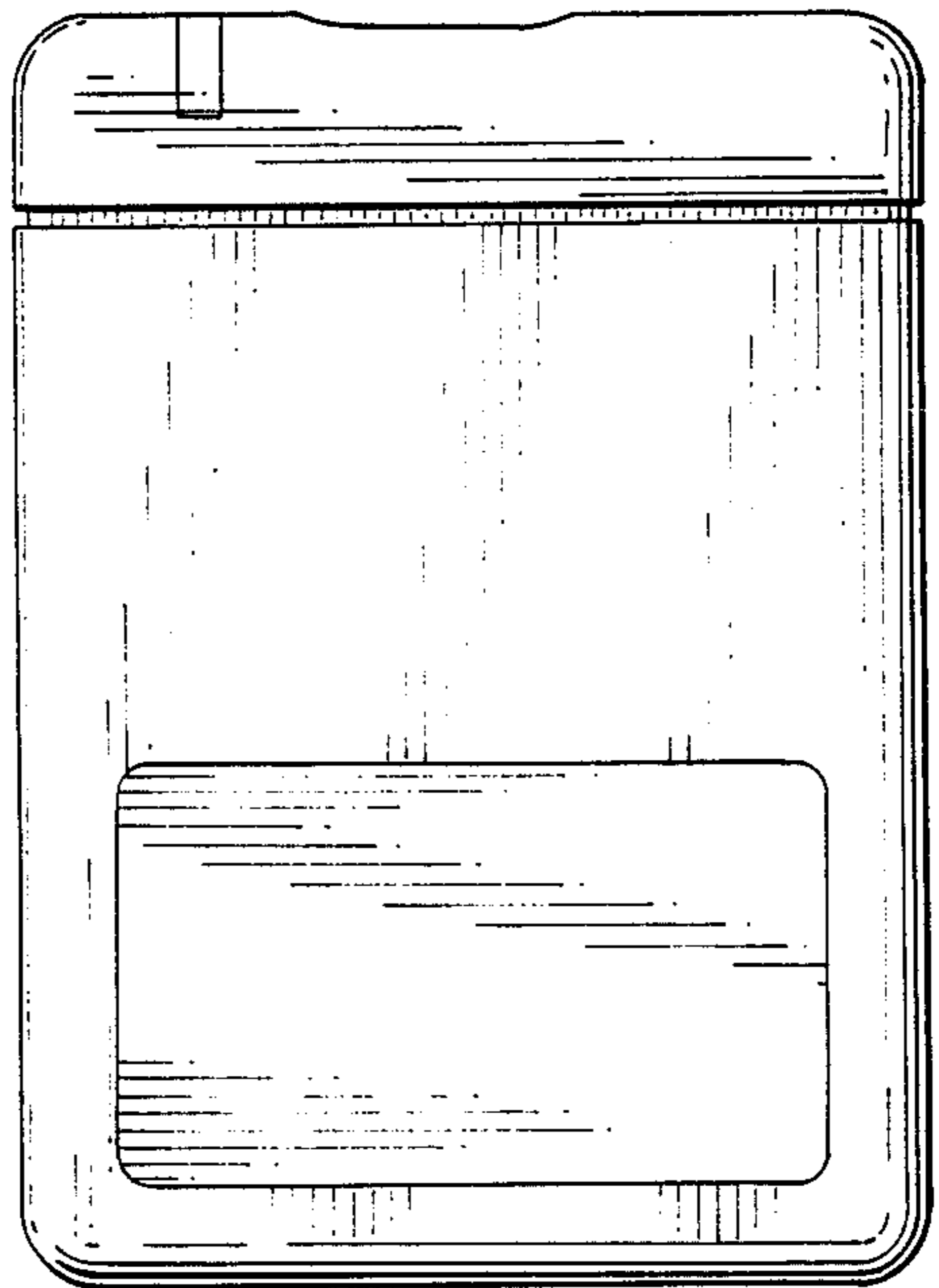
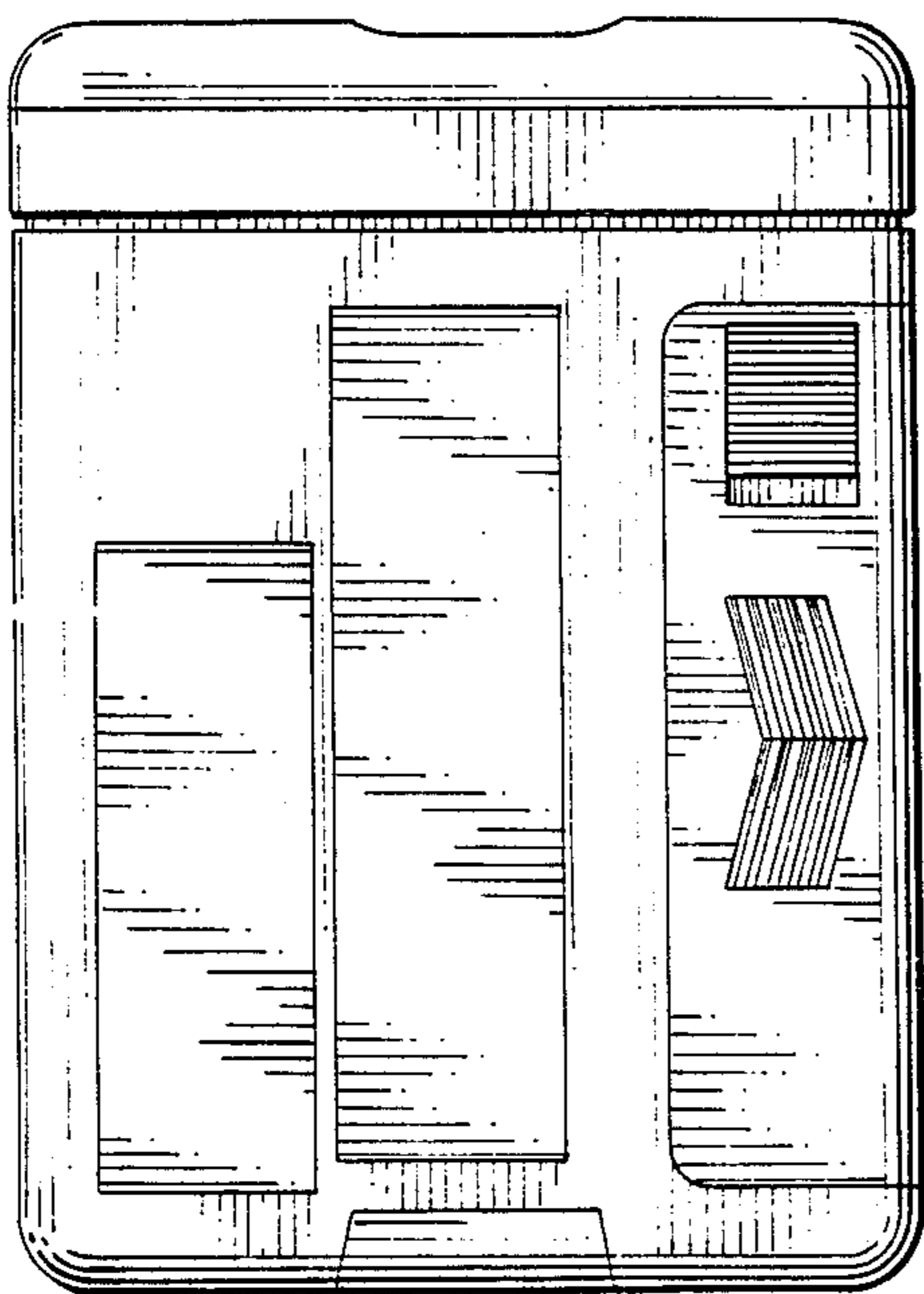


FIG. 3



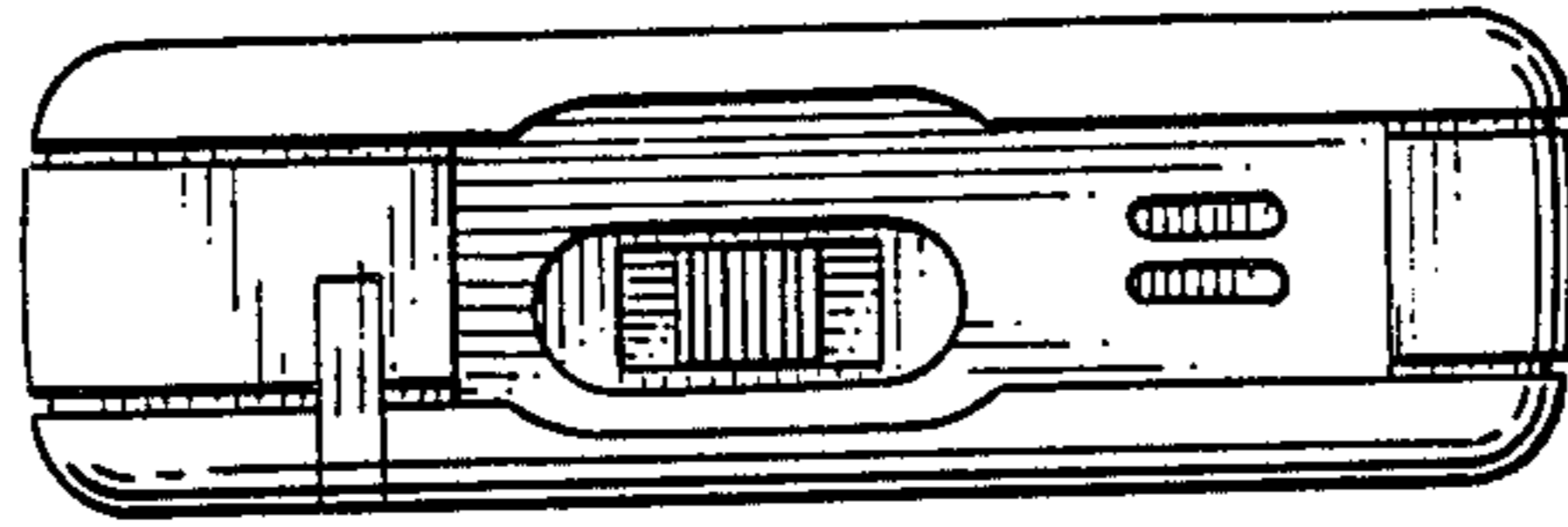


FIG. 4

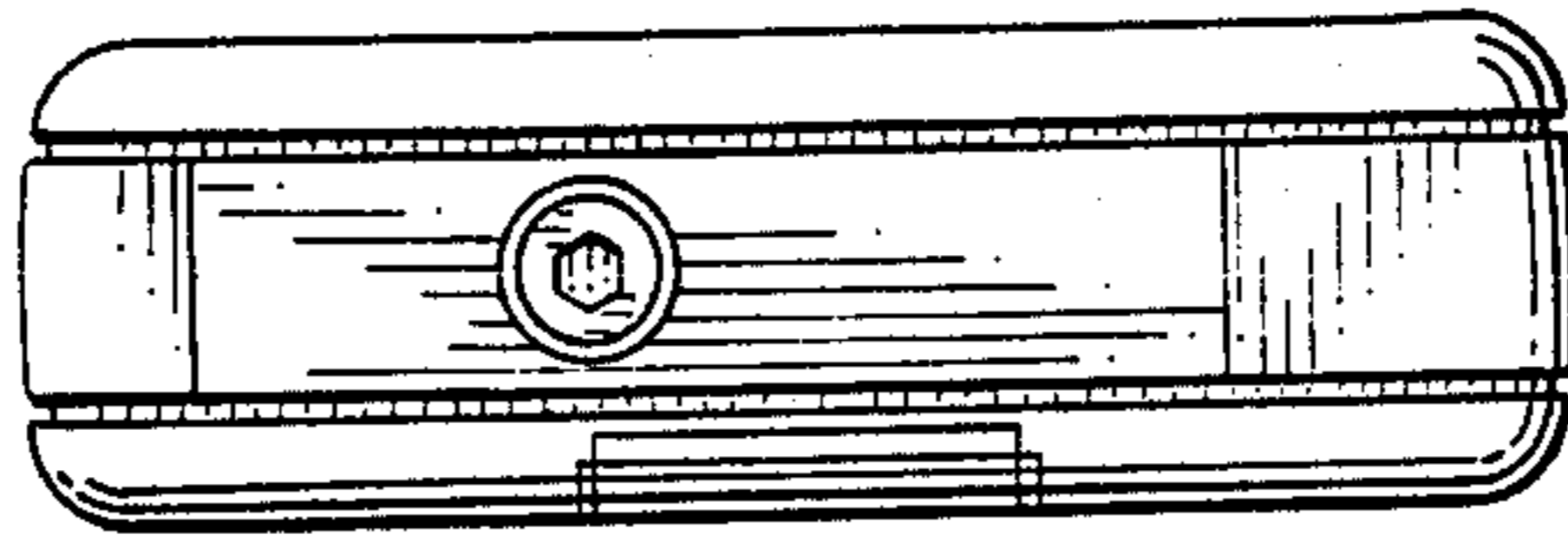


FIG. 5

FIG. 6

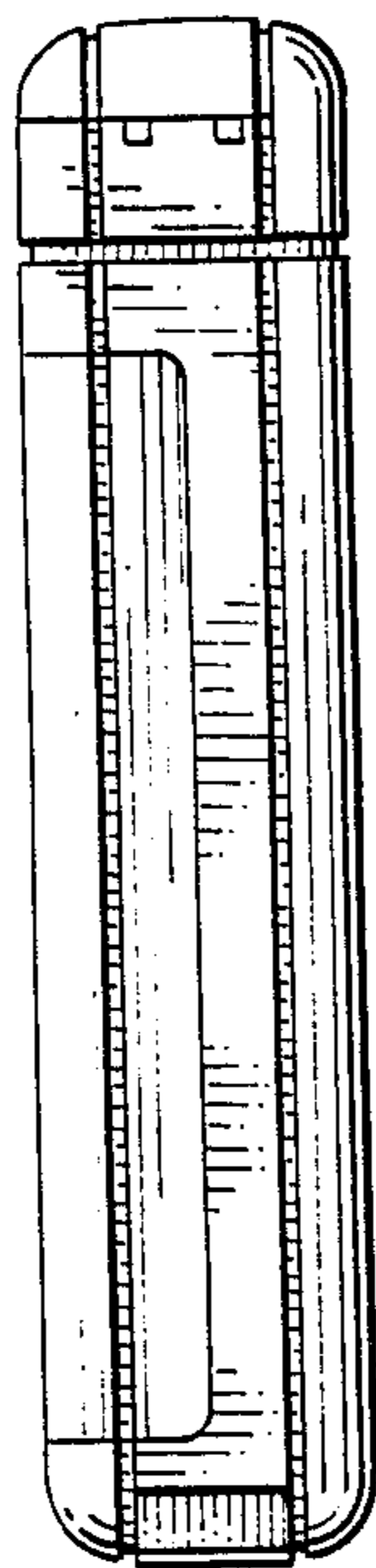


FIG. 7

