

[54] COMBINED COPYING MACHINE,
FACSIMILE TRANSMITTER/RECEIVER
AND PRINTER

D. 297,739 10/1988 Hashimoto et al. D18/37
D. 300,532 4/1989 Yoshihama D14/118

[75] Inventor: Fumiyo Kojima, Mitaka, Japan

Primary Examiner—Bernard Ansher

[73] Assignee: Ricoh Company, Ltd., Tokyo, Japan

Assistant Examiner—Theodore M. Shooman

[**] Term: 14 Years

Attorney, Agent, or Firm—Oblon, Spivak, McClelland,
Maier & Neustadt

[21] Appl. No.: 105,191

[57] CLAIM

[22] Filed: Oct. 6, 1987

The ornamental design for combined copying machine,
facsimile transmitter/receiver and printer, as shown and
described.

[30] Foreign Application Priority Data

DESCRIPTION

Apr. 6, 1987 [JP] Japan 62-013322

[52] U.S. Cl. D14/118; D18/36

[58] Field of Search D14/118, 142, 144, 151;
D18/36, 37; 358/256, 286

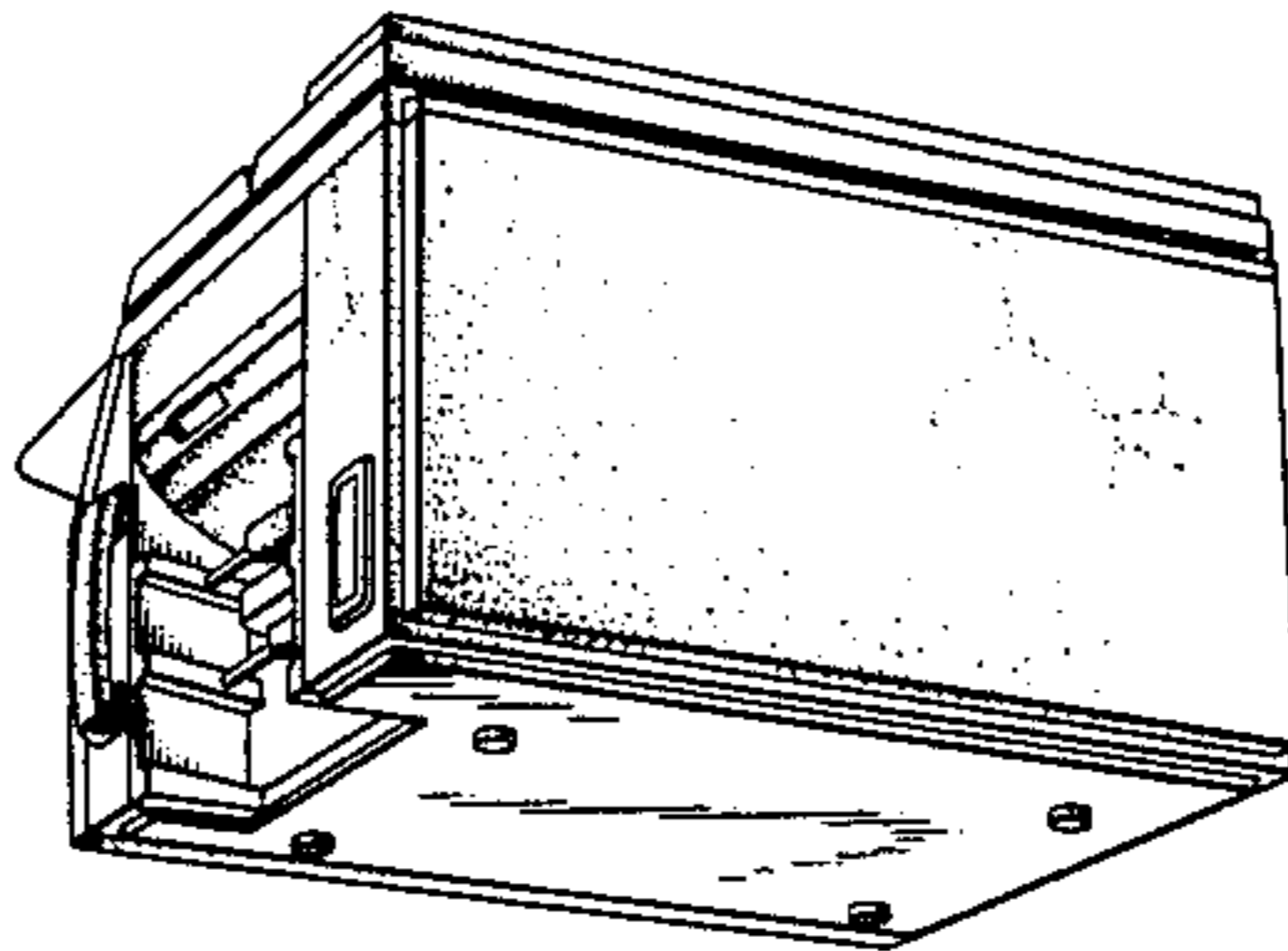
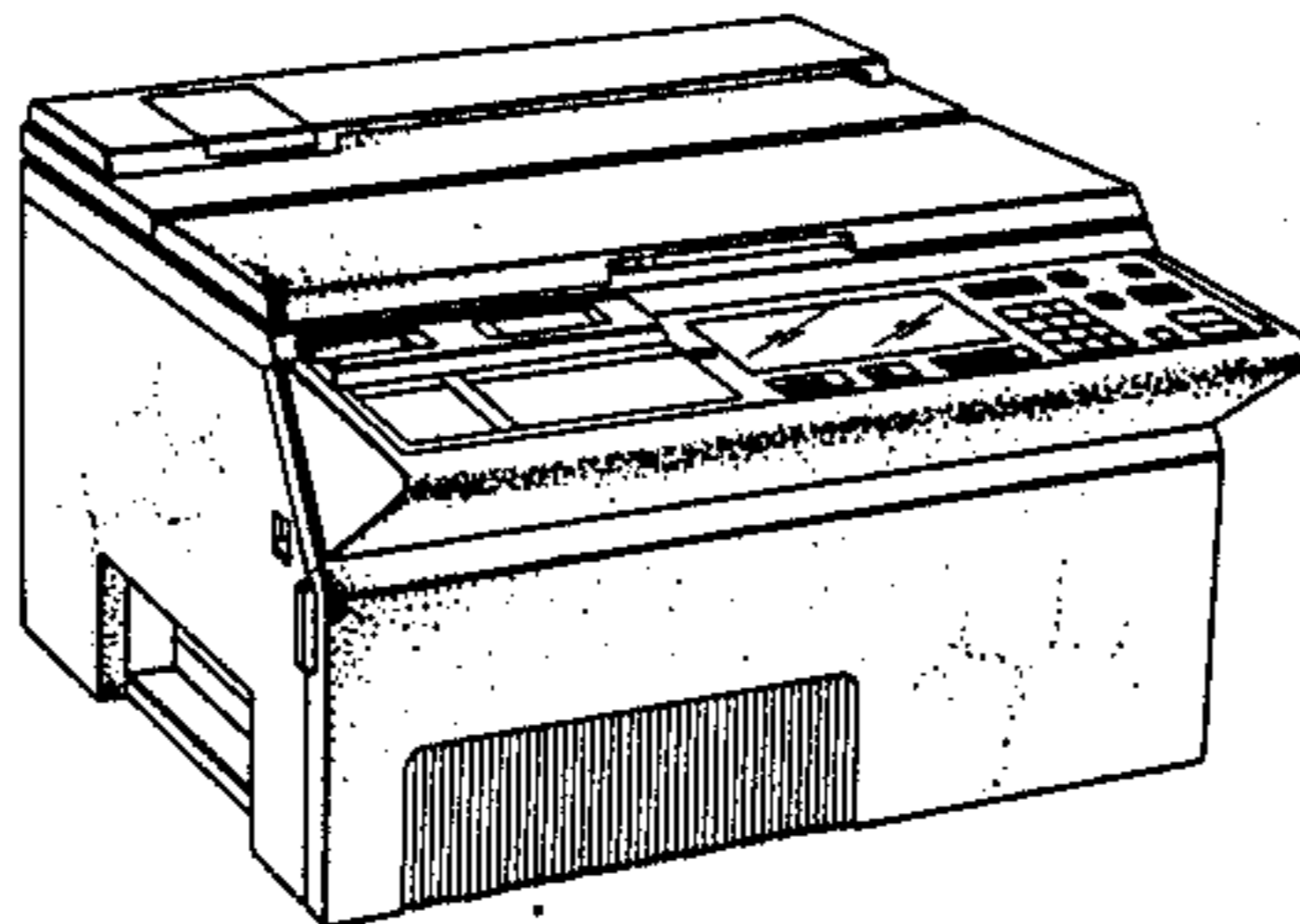
FIG. 1 is a top, front and right side perspective view of
a combined copying machine, facsimile transmitter/-
receiver and printer showing my new design;
FIG. 2 is a bottom, rear and left side perspective view
thereof;

[56] References Cited

U.S. PATENT DOCUMENTS

- D. 269,274 6/1983 Hofland et al. D18/36
- D. 272,153 1/1984 Shintani et al. D14/118
- D. 278,152 3/1985 Hara et al. D18/36
- D. 289,165 4/1987 Oshima et al. D14/118

FIG. 3 is a front elevational view thereof;
FIG. 4 is rear elevational view thereof;
FIG. 5 is a left side elevational view thereof;
FIG. 6 is a right side elevational view thereof;
FIG. 7 is a top plan view thereof; and
FIG. 8 is a bottom plan view thereof.



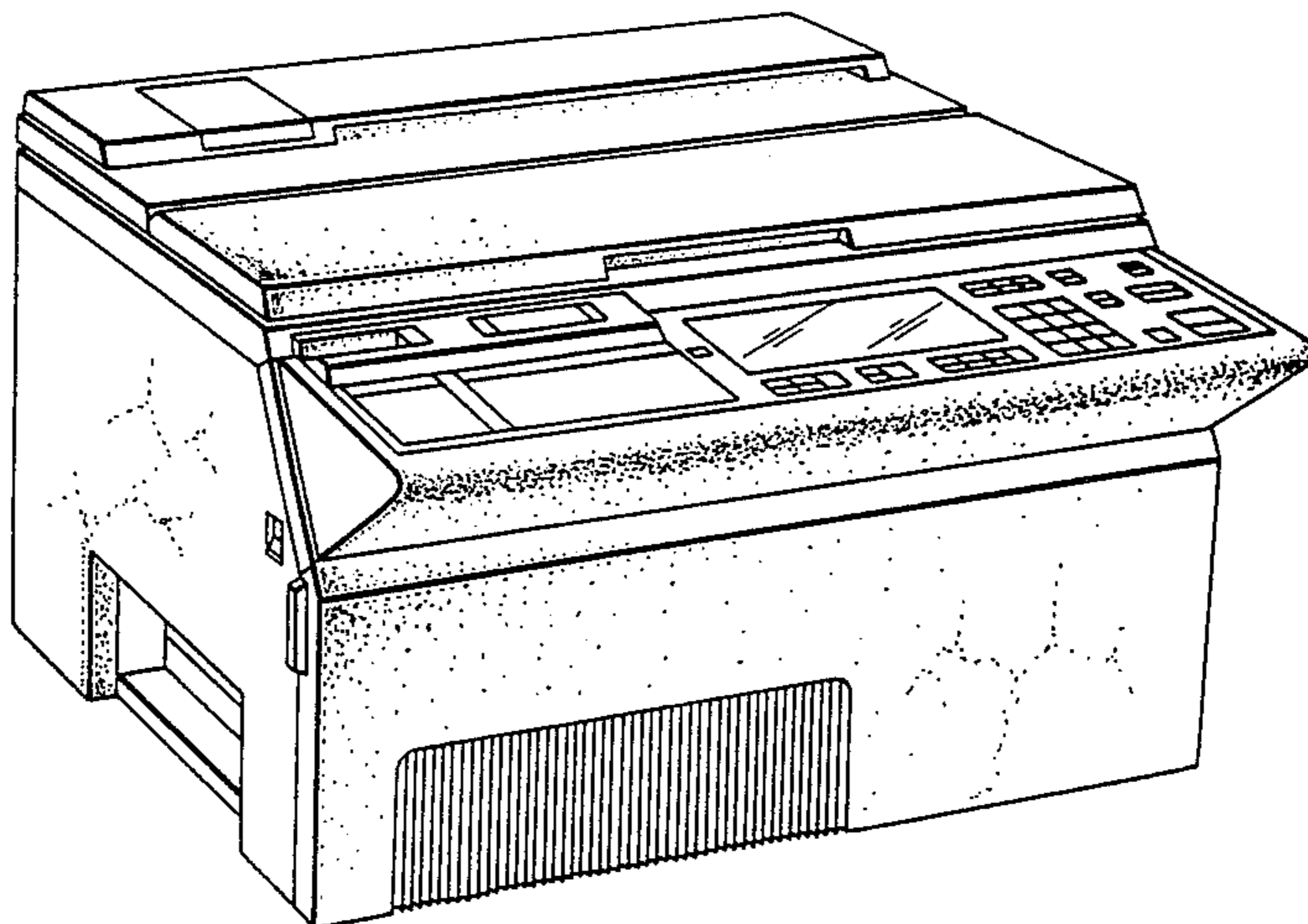


FIG. 2

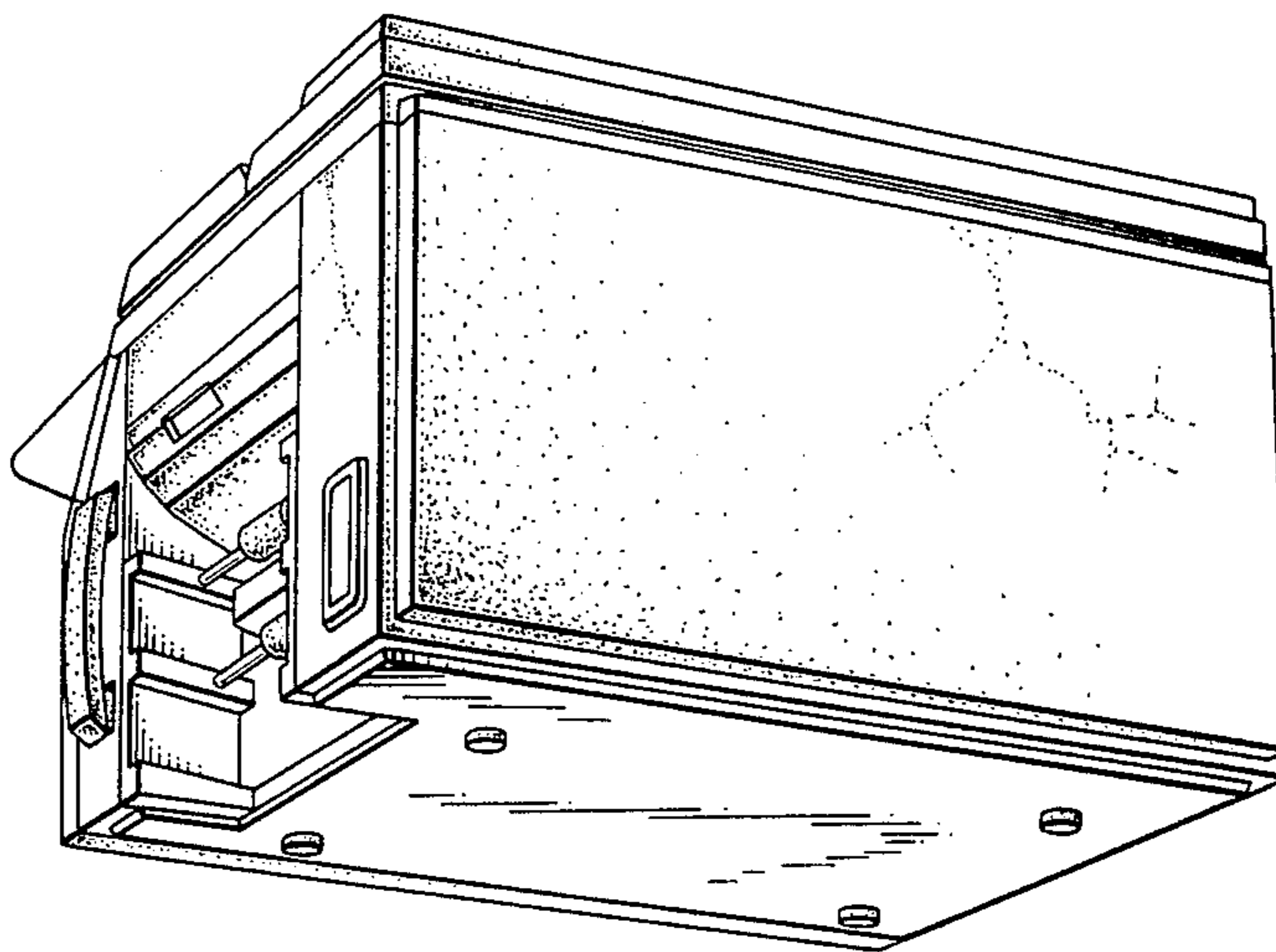


FIG. 3

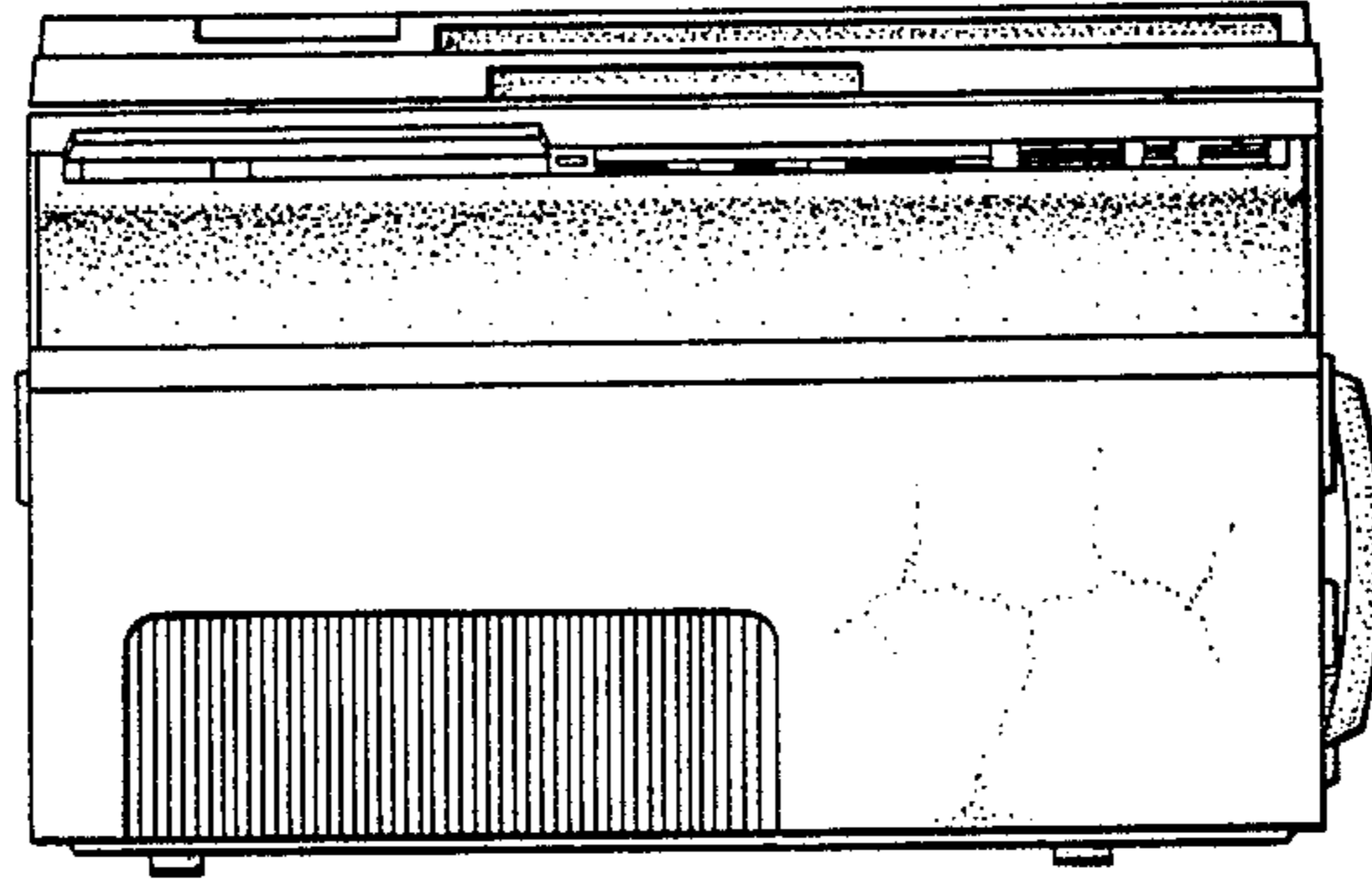


FIG. 4

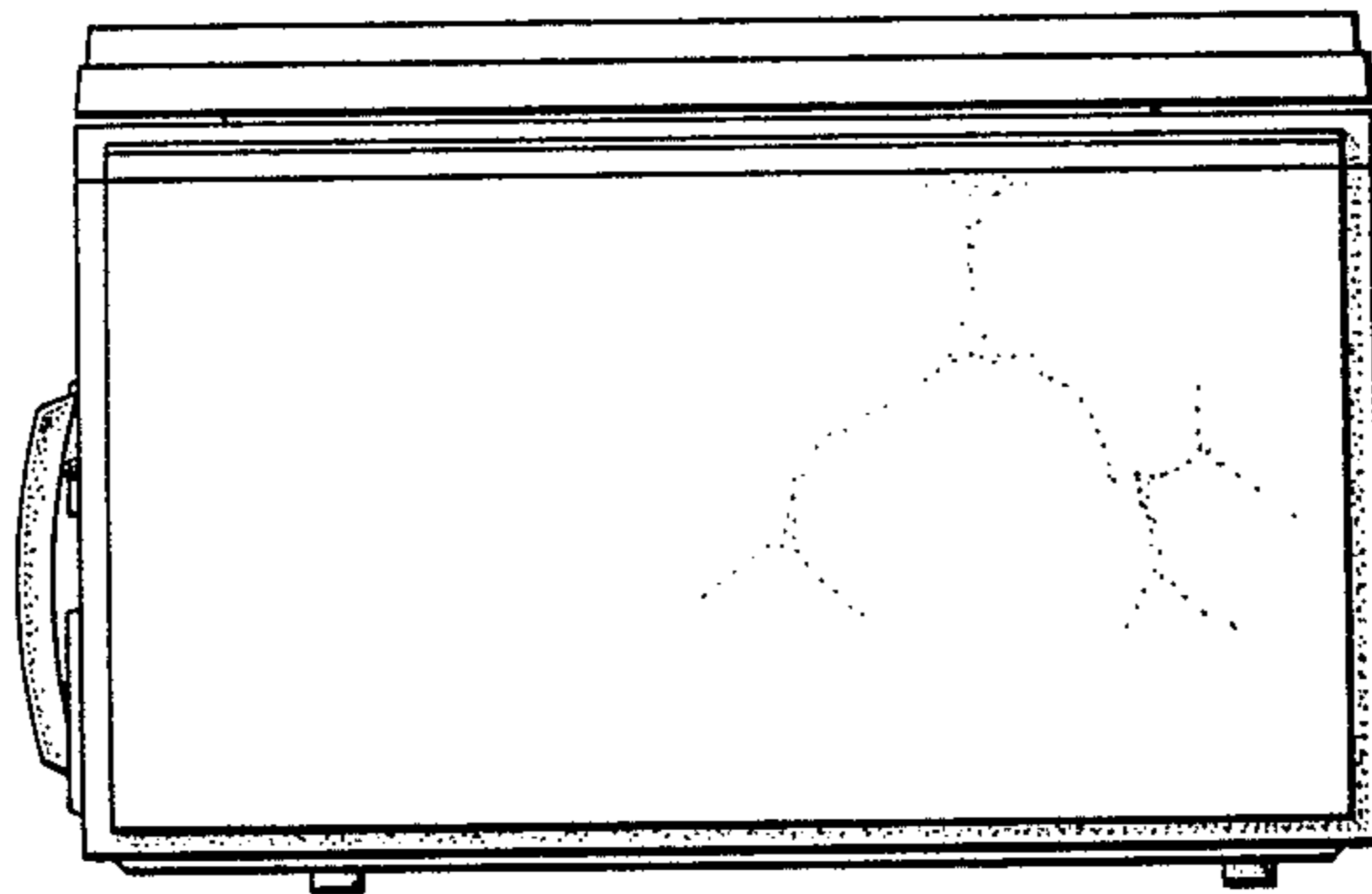


FIG. 5

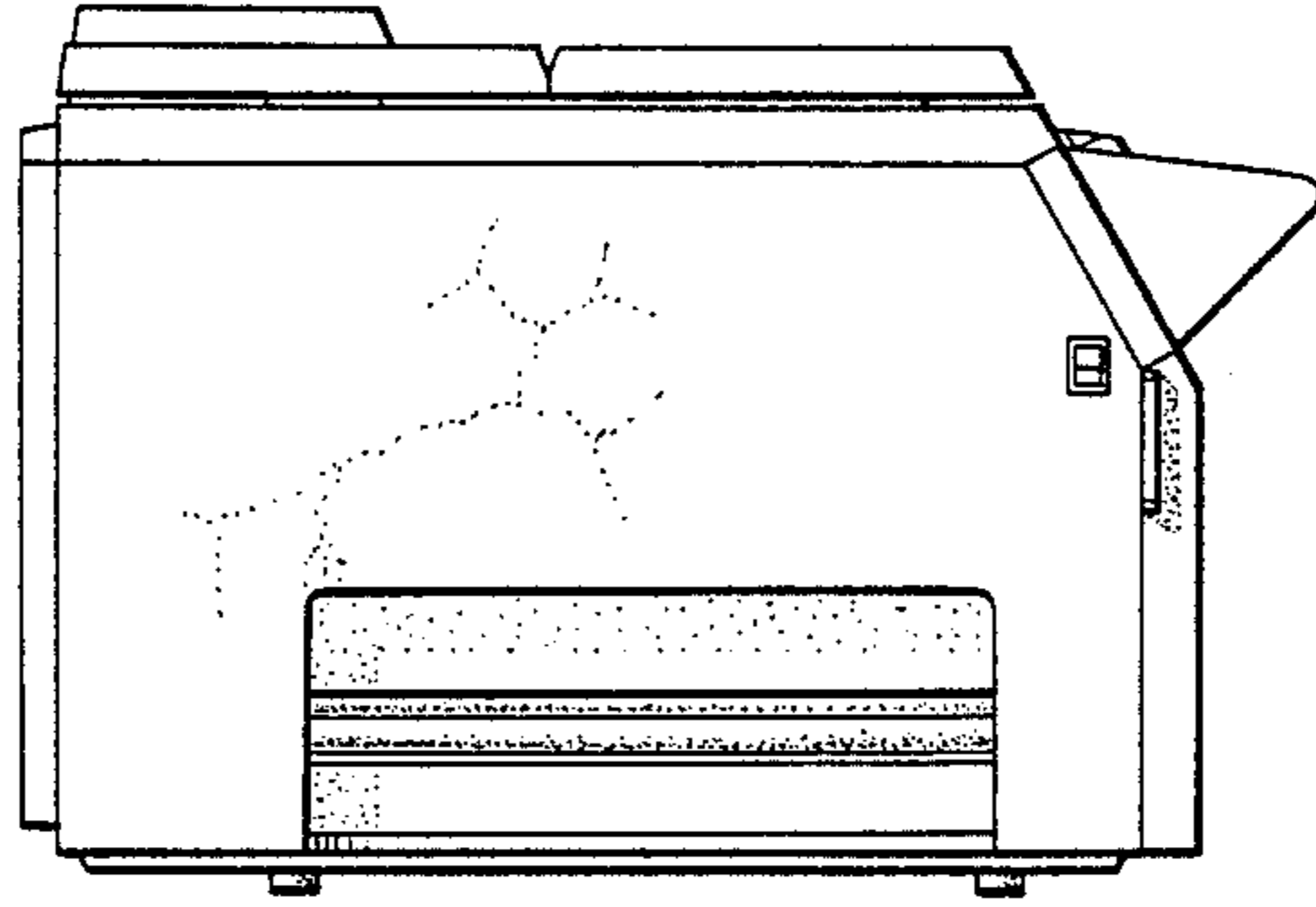


FIG. 6

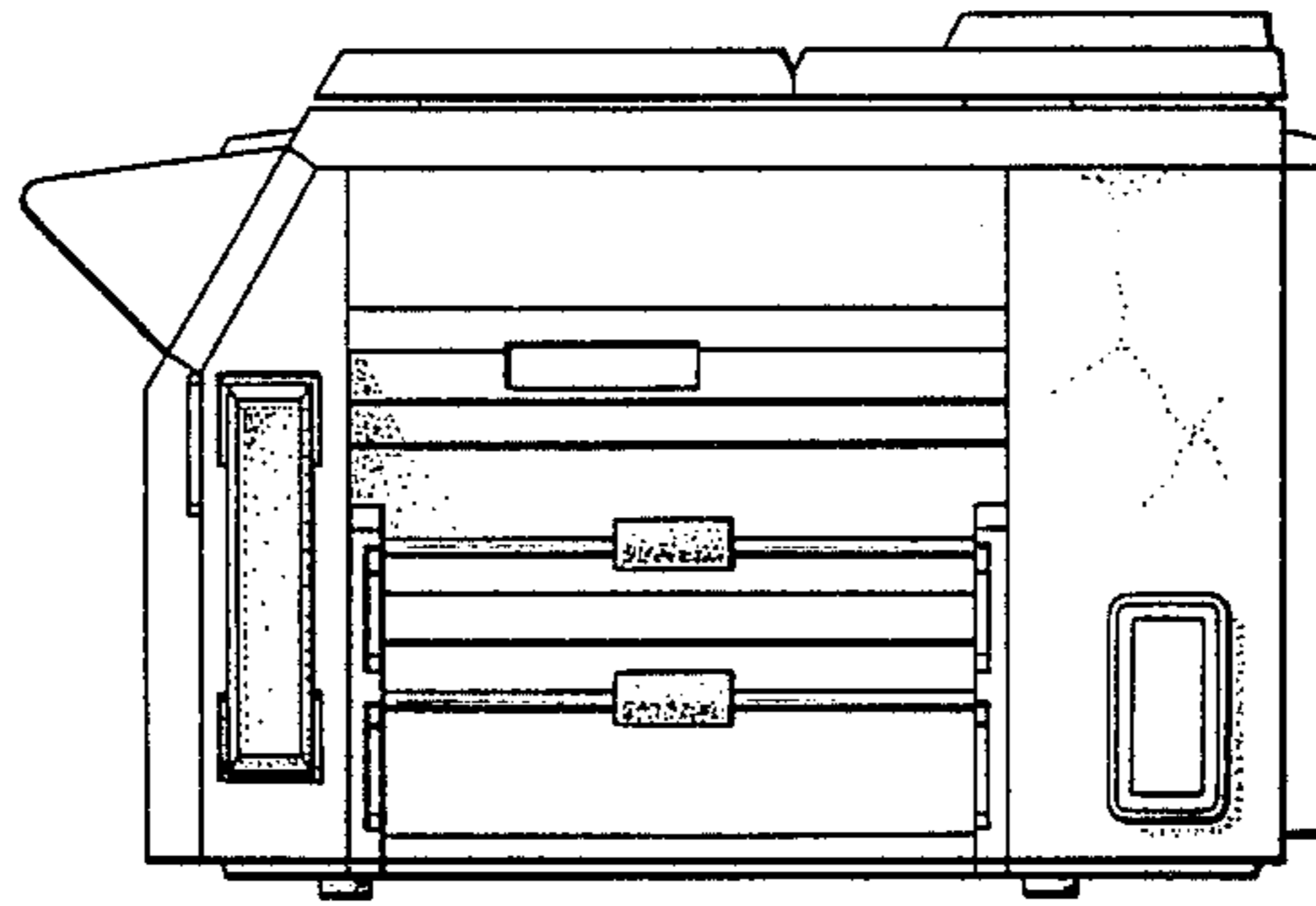


FIG. 7

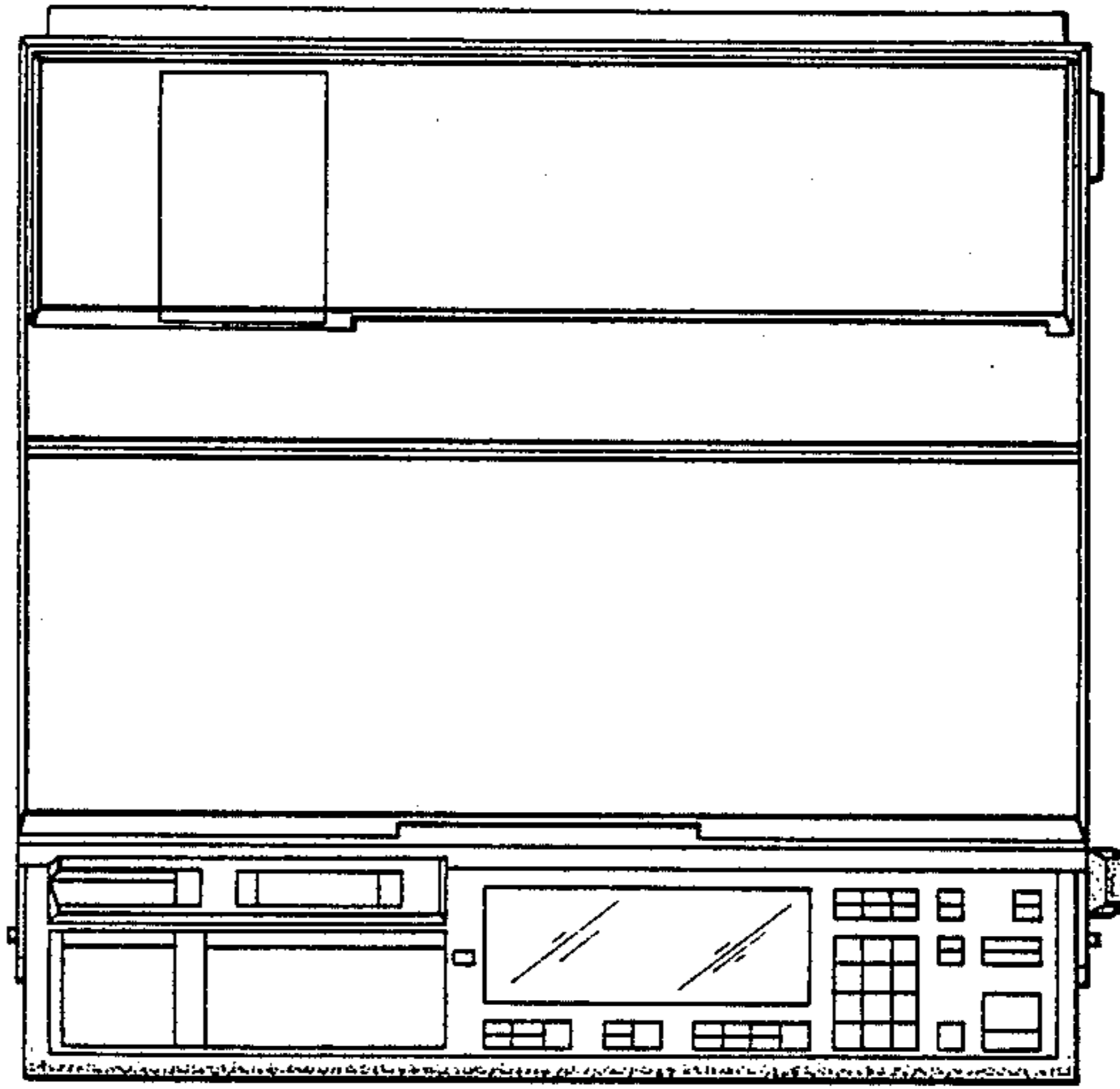


FIG. 8

