

# United States Patent [19]

Hara

[11] Patent Number: **Des. 304,177**

[45] Date of Patent: **\*\* Oct. 24, 1989**

[54] **ELECTRONIC COPYING MACHINE**

[75] Inventor: **Kunio Hara, Chiba, Japan**

[73] Assignee: **Kabushiki Kaisha Toshiba, Kawasaki, Japan**

[\*\*] Term: **14 Years**

[21] Appl. No.: **903,435**

[22] Filed: **Sep. 4, 1986**

[30] **Foreign Application Priority Data**

Mar. 12, 1986 [JP] Japan ..... 61-8541

[52] U.S. Cl. .... **D14/107**

[58] Field of Search ..... **D14/107, 114, 94, 118;  
358/256, 285-286; 355/3 R, 3 SH, 14 R, 14 SH;  
D18/36-40**

[56] **References Cited**

## U.S. PATENT DOCUMENTS

D. 286,296 10/1986 Hara ..... D16/32  
D. 293,576 1/1988 Hara ..... D14/107  
D. 295,520 5/1988 Ooie ..... D14/107  
D. 296,334 6/1988 Hara ..... D16/31  
D. 296,335 6/1988 Hara ..... D16/31

4,490,035 12/1984 Sugiura ..... D16/31 X  
4,623,937 11/1986 Watanabe ..... 358/285  
4,695,897 9/1987 Watanabe ..... 355/3 R X

## OTHER PUBLICATIONS

*Fuji Xerox Image Recording Apparatus Cat.*, 5/11/87-S-canner at left.

*Primary Examiner*—Nelson C. Holtje  
*Attorney, Agent, or Firm*—Oblon, Spivak, McClelland, Maier & Neustadt

[57] **CLAIM**

The ornamental design for an electronic copying machine, as shown and described.

## DESCRIPTION

FIG. 1 is a top, front and right side perspective view of an electronic copying machine showing my new design; FIG. 2 is a perspective view like FIG. 1 with the cover opened;

FIG. 3 is a front elevational view thereof;

FIG. 4 is a right side elevational view thereof;

FIG. 5 is a top plan view thereof;

FIG. 6 is a rear elevational view thereof;

FIG. 7 is a left side elevational view thereof; and

FIG. 8 is a bottom plan view thereof.

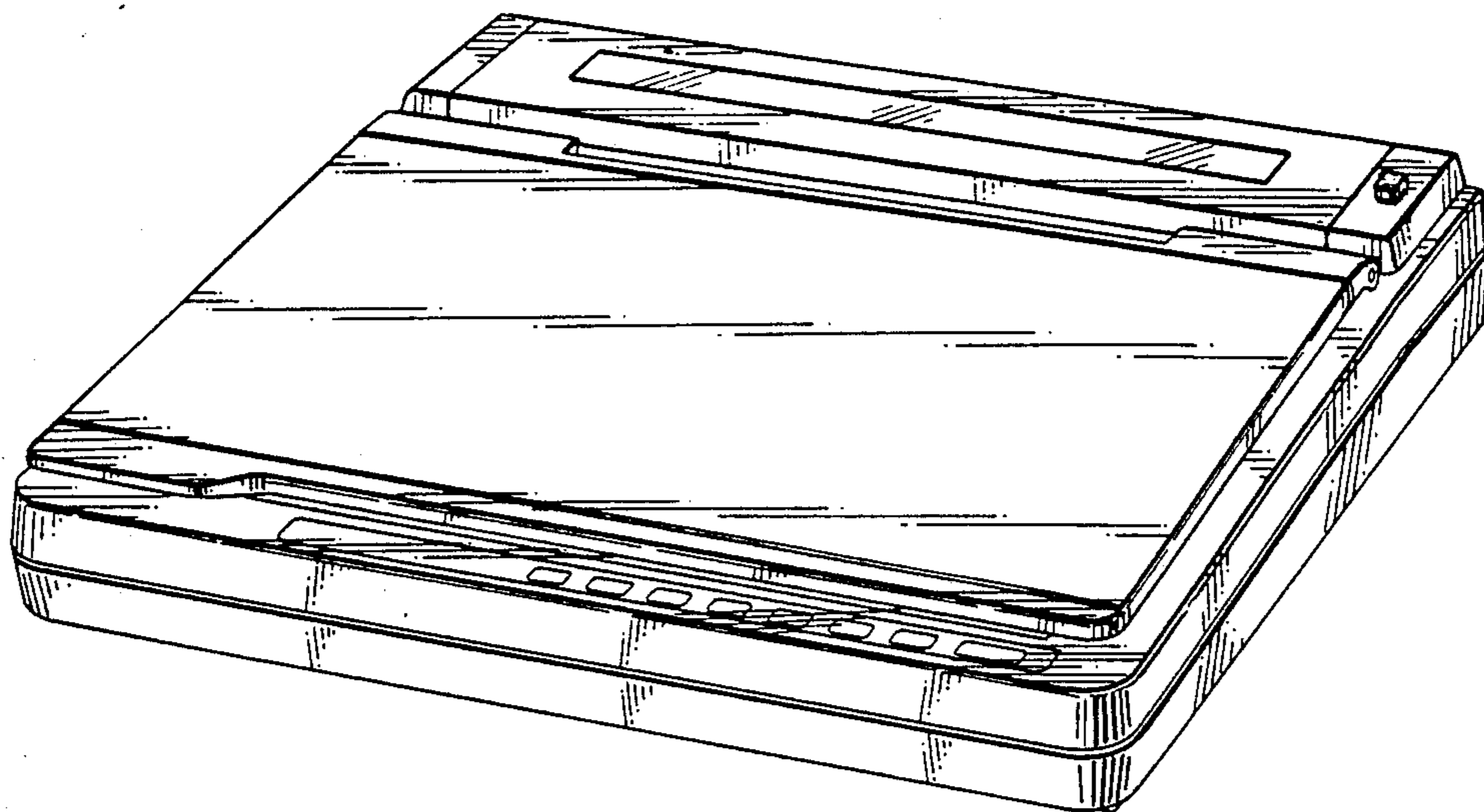


FIG. 1

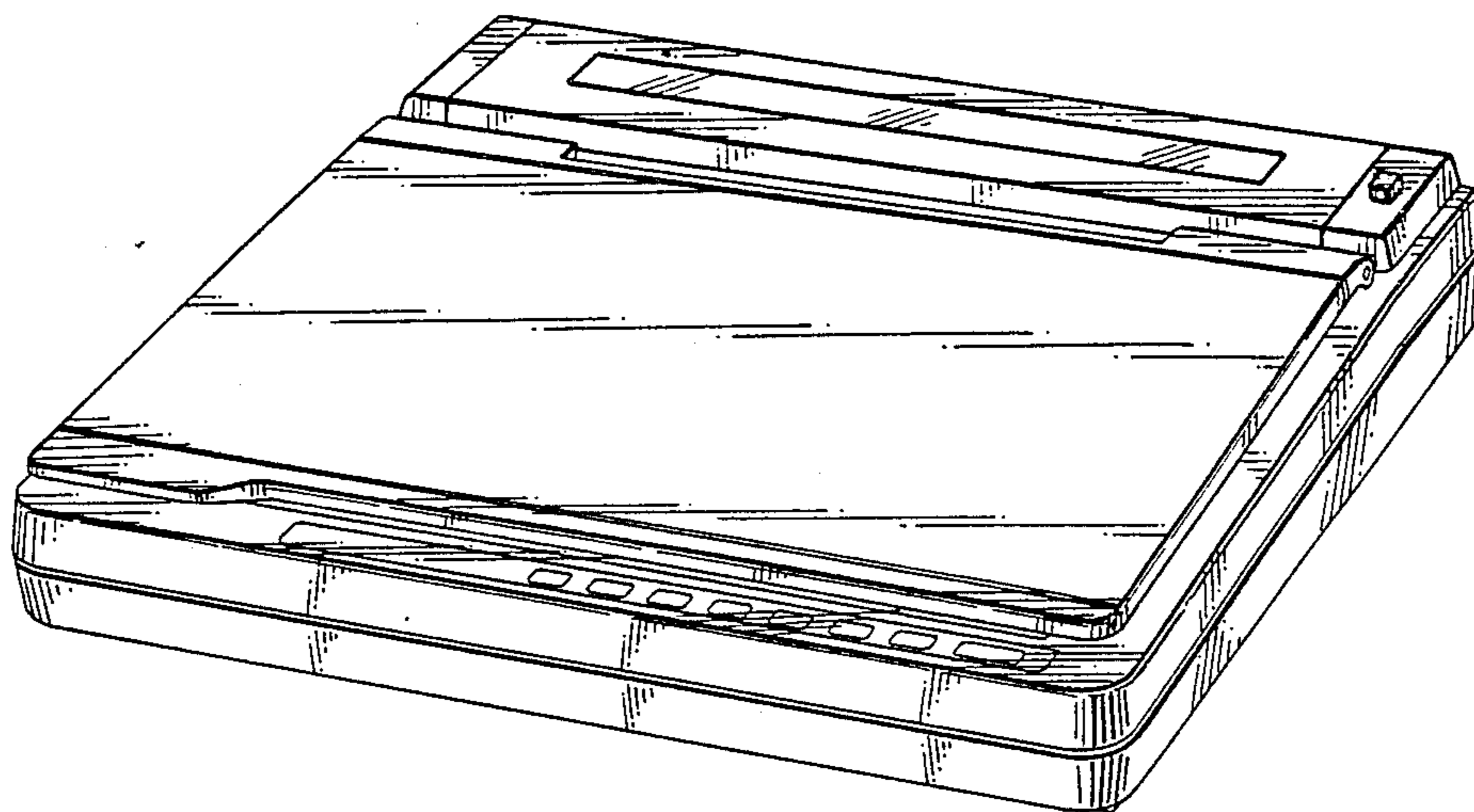


FIG. 2

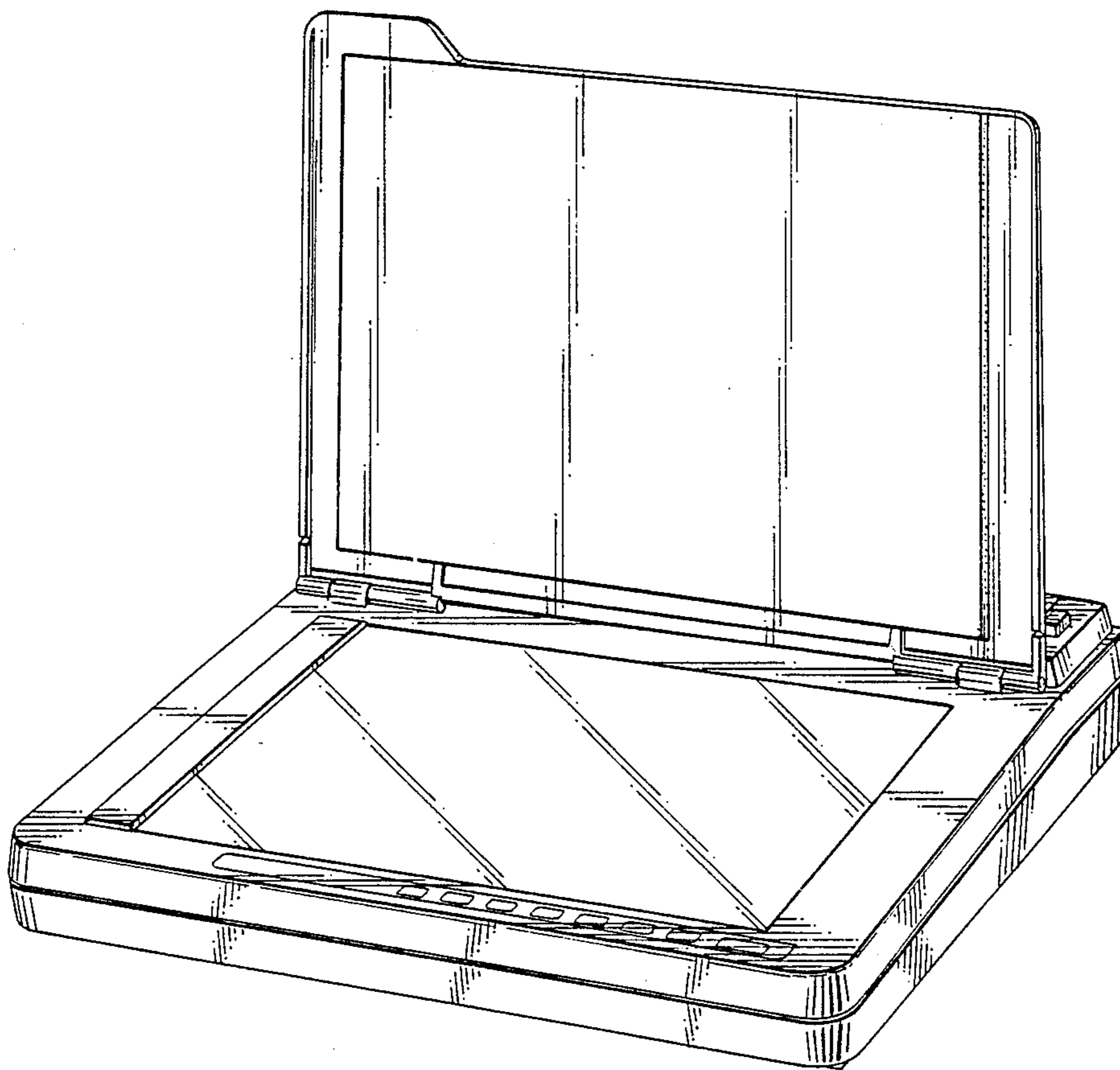


FIG. 3

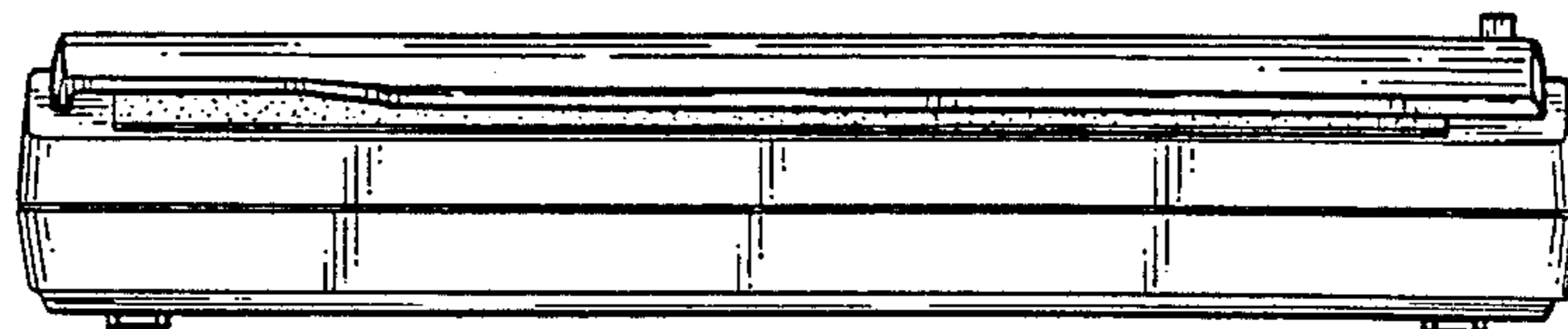


FIG. 4

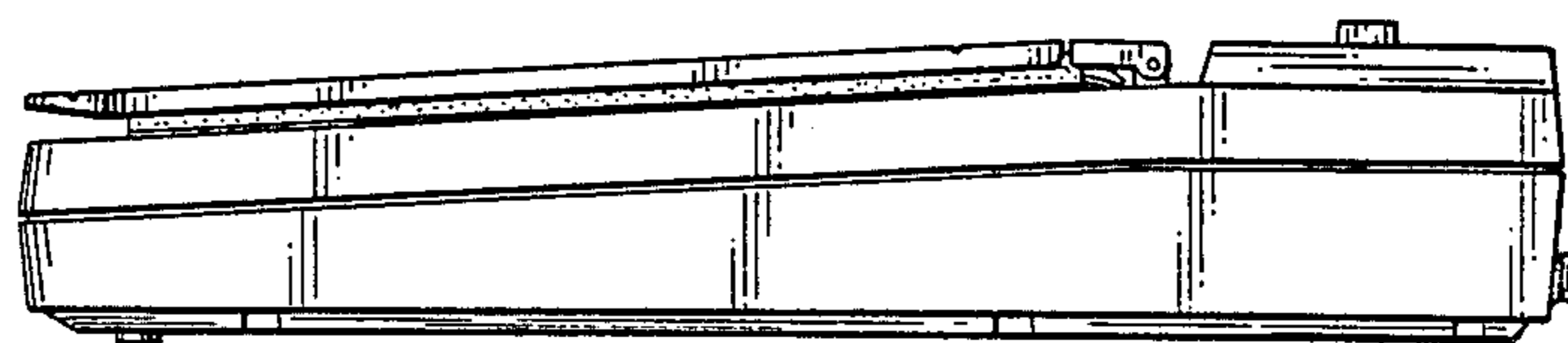


FIG. 5

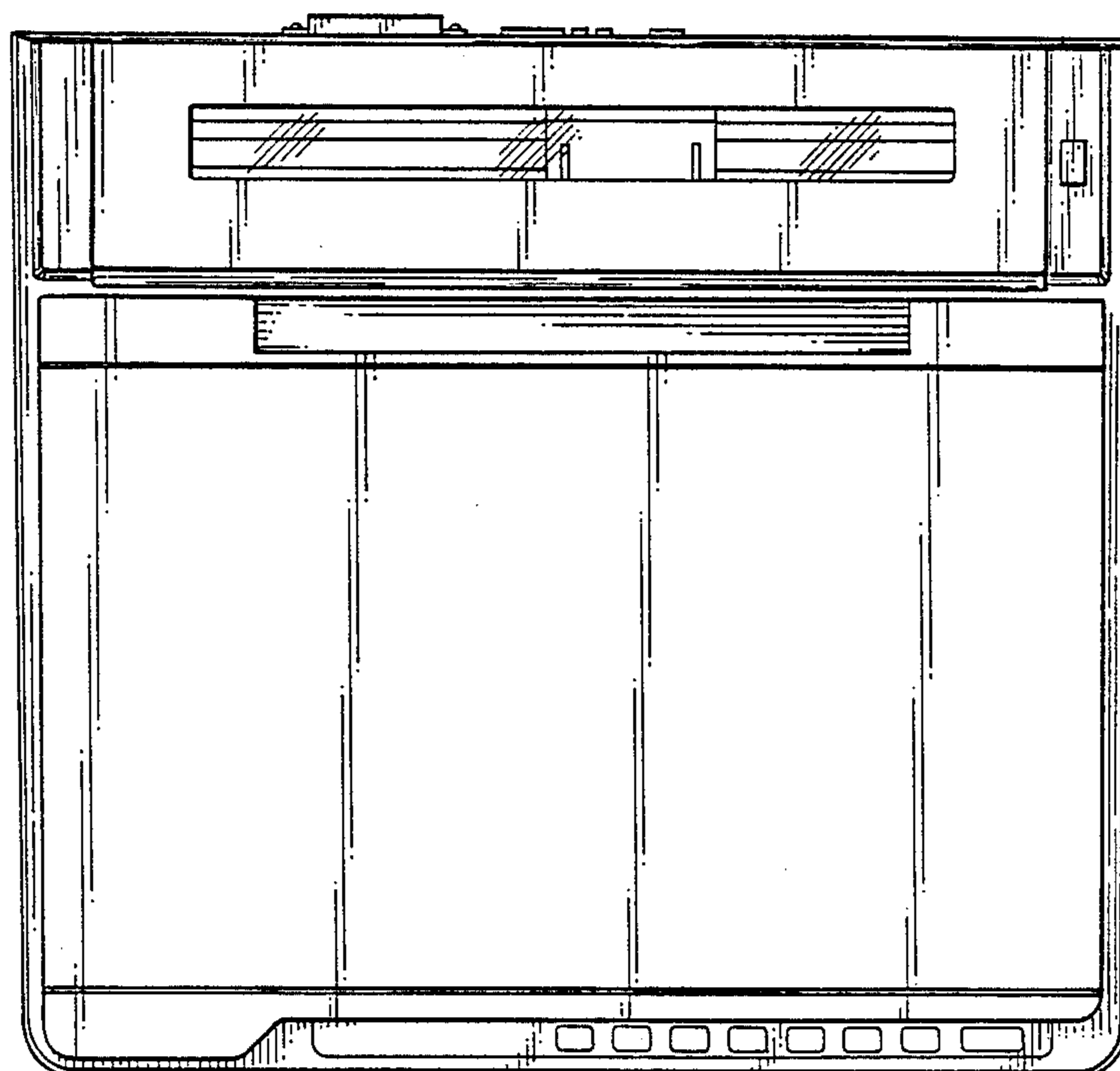


FIG. 6

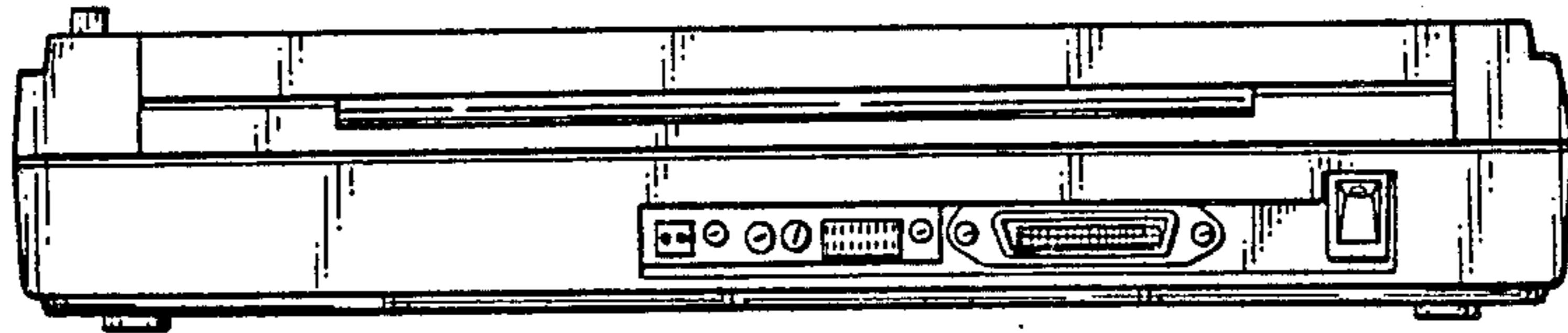


FIG. 7

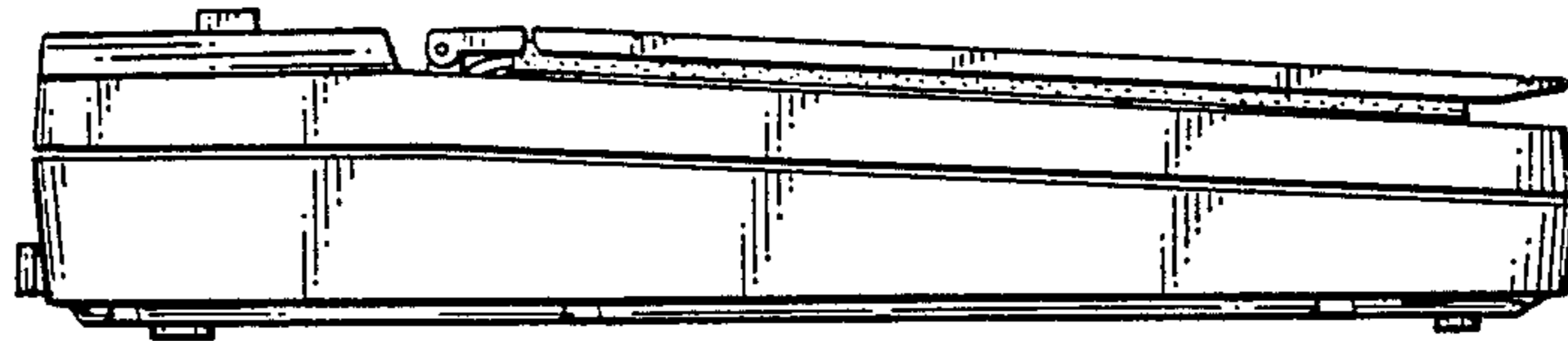


FIG. 8

