

# United States Patent [19]

Sakaguchi et al.

[11] Patent Number: **Des. 304,175**

[45] Date of Patent: **\*\* Oct. 24, 1989**

[54] **INPUT/OUTPUT TERMINAL**

[75] Inventors: **Hiroshi Sakaguchi; Masaki Kawamura**, both of Osaka, Japan

[73] Assignee: **Sharp Kabushiki Kaisha**, Osaka, Japan

[\*\*] Term: **14 Years**

[21] Appl. No.: **935,532**

[22] Filed: **Nov. 26, 1986**

[30] **Foreign Application Priority Data**

May 29, 1986 [JP] Japan ..... 61-20952

[52] U.S. Cl. .... **D14/100; D18/7**

[58] Field of Search ..... **D14/100-117; D10/40-41; D18/1, 2, 5, 6, 7, 11, 12; 235/145 A, 145 R; 340/700, 706, 711, 712; 400/682, 677, 472, 489, 492, 496, 676; 364/130, 144, 143, 145, 146, 189, 706, 707, 708, 709, 710; 358/249, 254; 341/22, 23; 200/5 A**

[56] **References Cited**

**U.S. PATENT DOCUMENTS**

D. 249,742 9/1978 Ohie ..... D18/7  
D. 251,271 3/1979 Kobayashi ..... D18/7

D. 258,956 4/1981 Chadima, Jr. .... D14/100  
D. 260,646 9/1981 Akazawa et al. .... D18/7 X  
D. 263,969 4/1982 Hirata et al. .... D18/7  
D. 278,916 5/1985 Gallman ..... D18/7  
D. 279,109 6/1985 Yubisui et al. .... D18/7  
D. 280,217 8/1985 Tomozawa et al. .... D18/7 X  
4,090,247 5/1978 Martin ..... D14/100 X

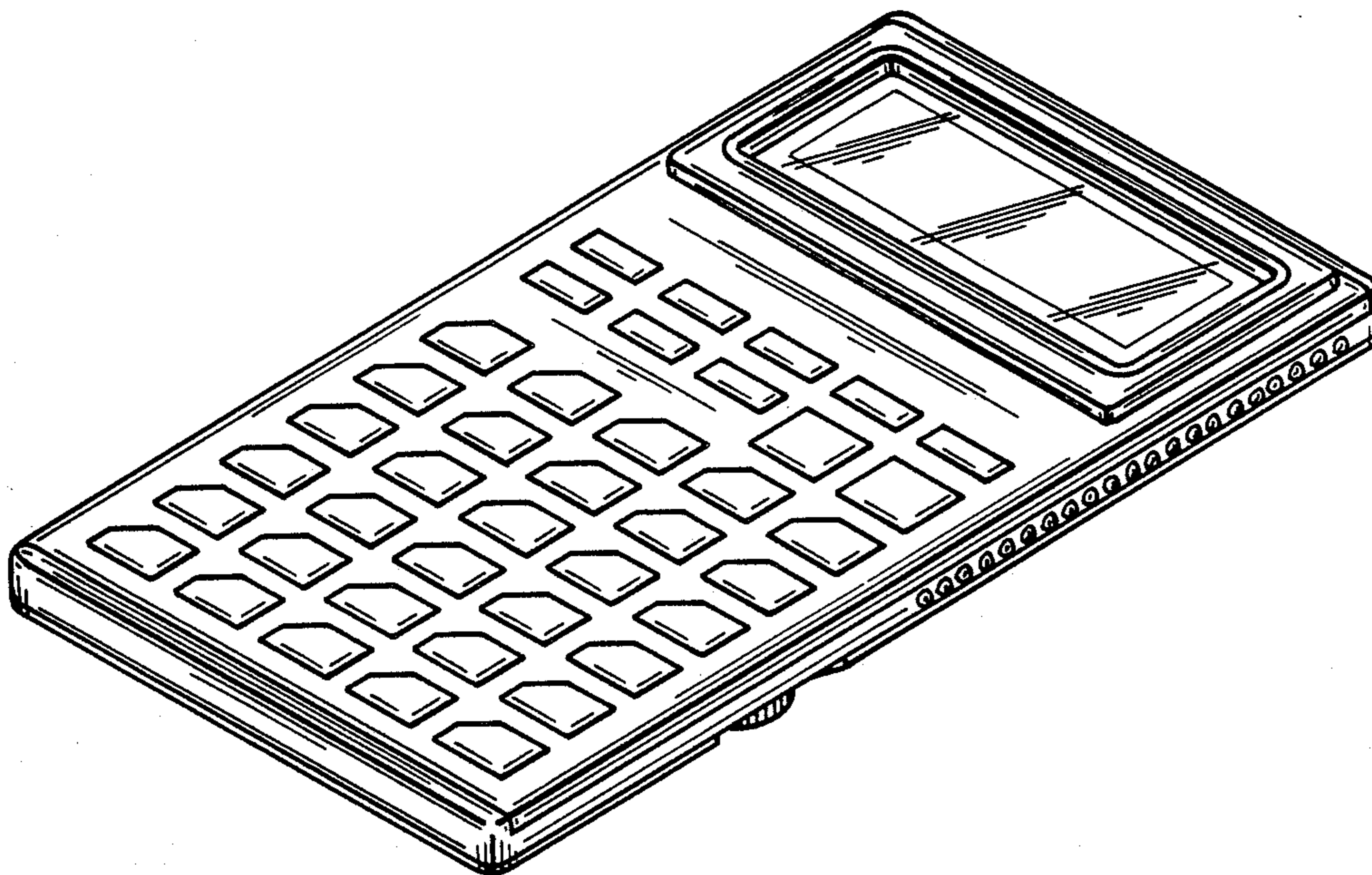
*Primary Examiner*—Susan J. Lucas  
*Assistant Examiner*—Freda S. Nunn  
*Attorney, Agent, or Firm*—Flehr, Hohbach, Test, Albritton & Herbert

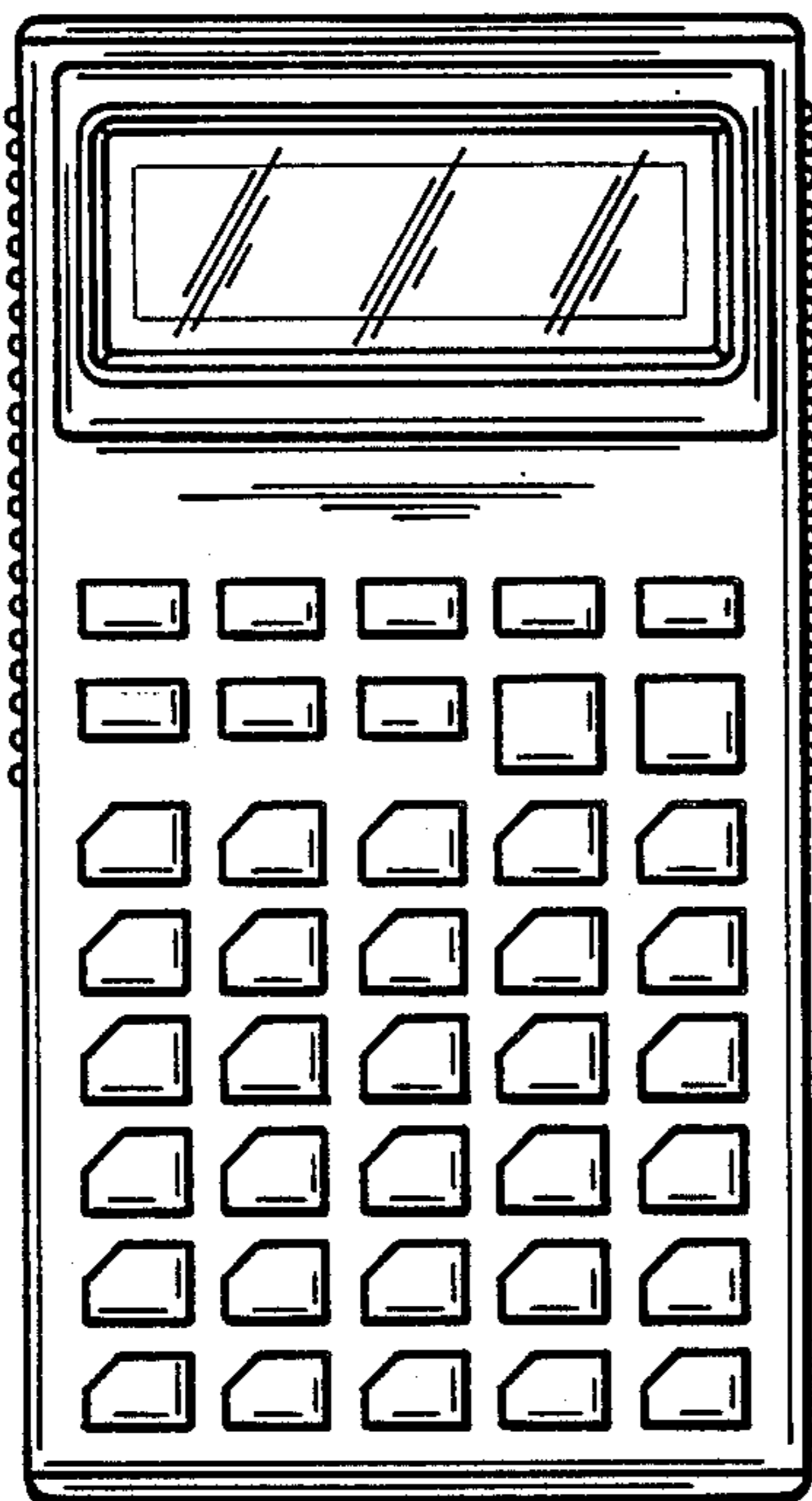
[57] **CLAIM**

The ornamental design for an input/output terminal, as shown and described.

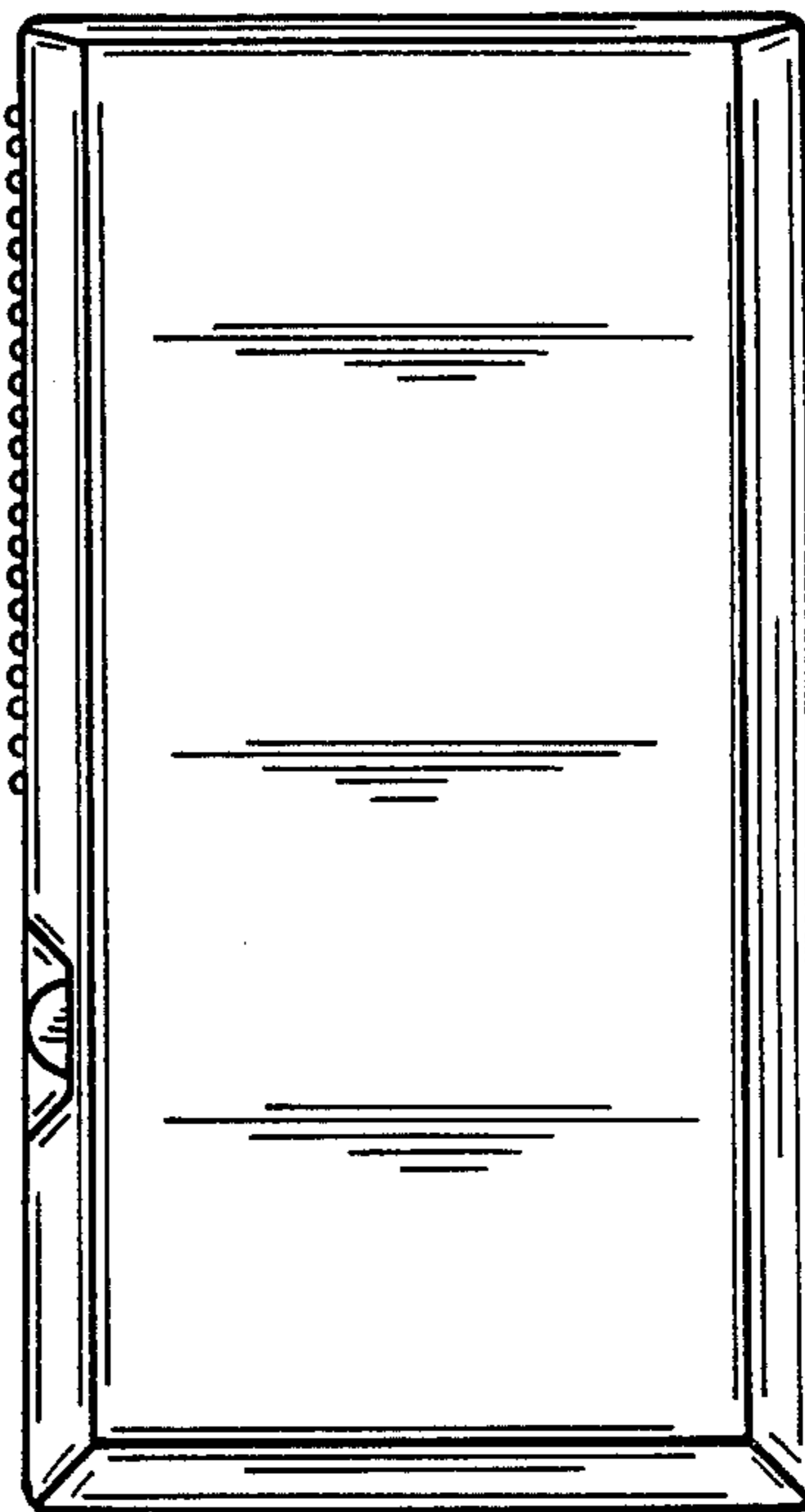
**DESCRIPTION**

FIG. 1 is a top plan view of the input/output terminal showing our new design;  
FIG. 2 is a bottom plan view thereof;  
FIG. 3 is a front elevational view thereof;  
FIG. 4 is a rear elevational view thereof;  
FIG. 5 is a right side elevational view thereof;  
FIG. 6 is a left side elevational view thereof; and  
FIG. 7 is a perspective view thereof on an enlarged scale.

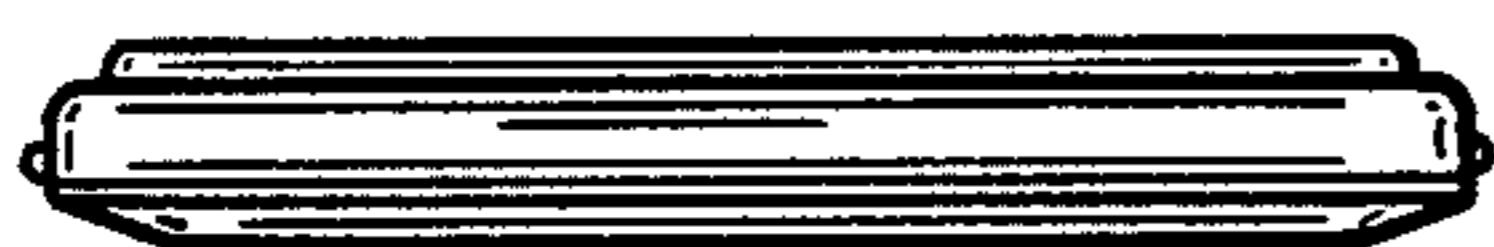




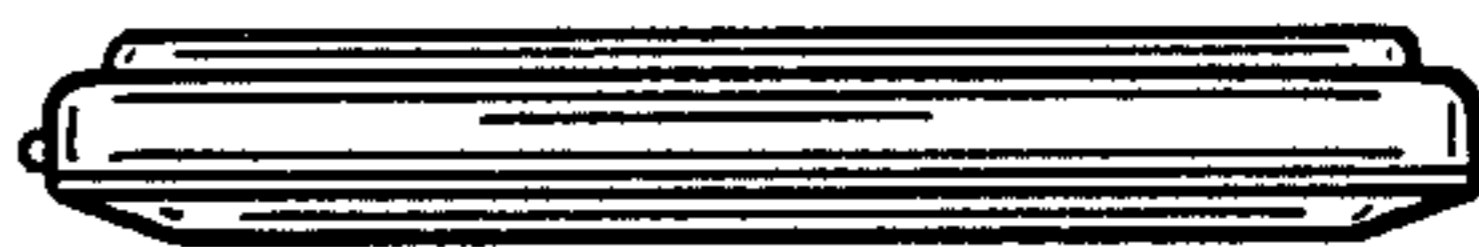
FIG\_1



FIG\_2



FIG\_3



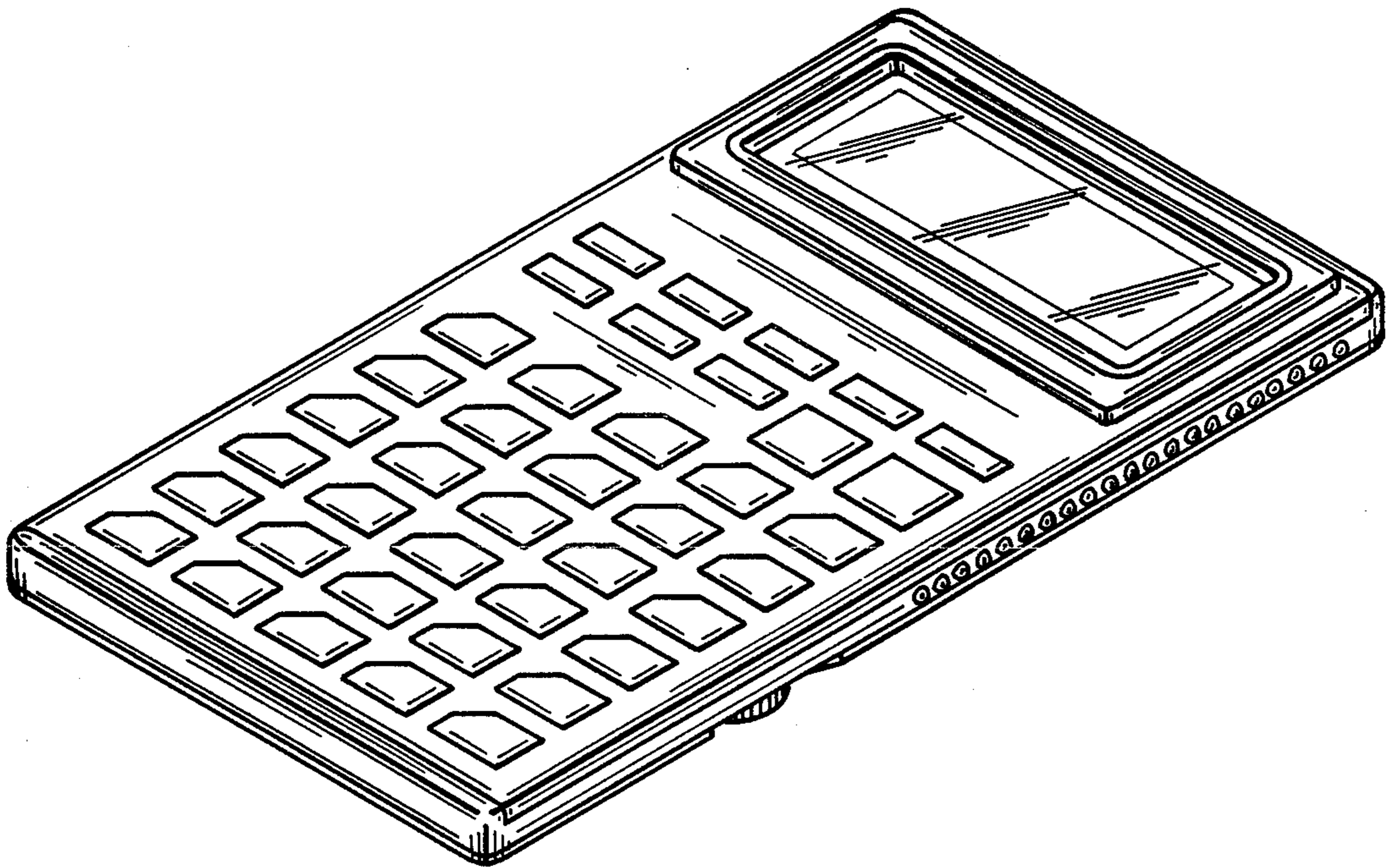
FIG\_4



FIG\_5



FIG\_6



*FIG\_7*