

United States Patent [19]

Frassati et al.

[11] Patent Number: **Des. 304,173**

[45] Date of Patent: **** Oct. 24, 1989**

[54] **ELECTRICAL TRACK FOR A ROOM LIGHTING SYSTEM**

[75] Inventors: **Guido Frassati, Leumann; Giuseppe Mugliardo, Pino Torinese; Riccardo Valvassori, Turin, all of Italy**

[73] Assignee: **S.A.M.E.S. S.p.A., Pinerolo, Italy**

[**] Term: **14 Years**

[21] Appl. No.: **822,267**

[22] Filed: **Jan. 24, 1986**

[30] **Foreign Application Priority Data**

Jul. 24, 1985 [IT] Italy 53625/85[U]

[52] U.S. Cl. **D13/13; D26/113**

[58] Field of Search **D26/72, 80-92, D26/113, 138; 362/147, 404-408; D13/13, 24; 439/110-121**

[56] **References Cited**

U.S. PATENT DOCUMENTS

D. 256,579 8/1980 Legerius et al. D13/13
D. 281,876 12/1985 Kelly D13/24

2,301,228 11/1942 Pollak et al. 362/147
4,414,617 11/1983 Galindo 362/404
4,494,808 1/1985 Widell 439/119

OTHER PUBLICATIONS

Alta Lite® Structura Catalog, ©1982, p. 8, Track Light System.

Primary Examiner—Susan J. Lucas
Attorney, Agent, or Firm—Shlesinger & Myers

[57] **CLAIM**

The ornamental design for an electrical track for a room lighting system, as shown and described.

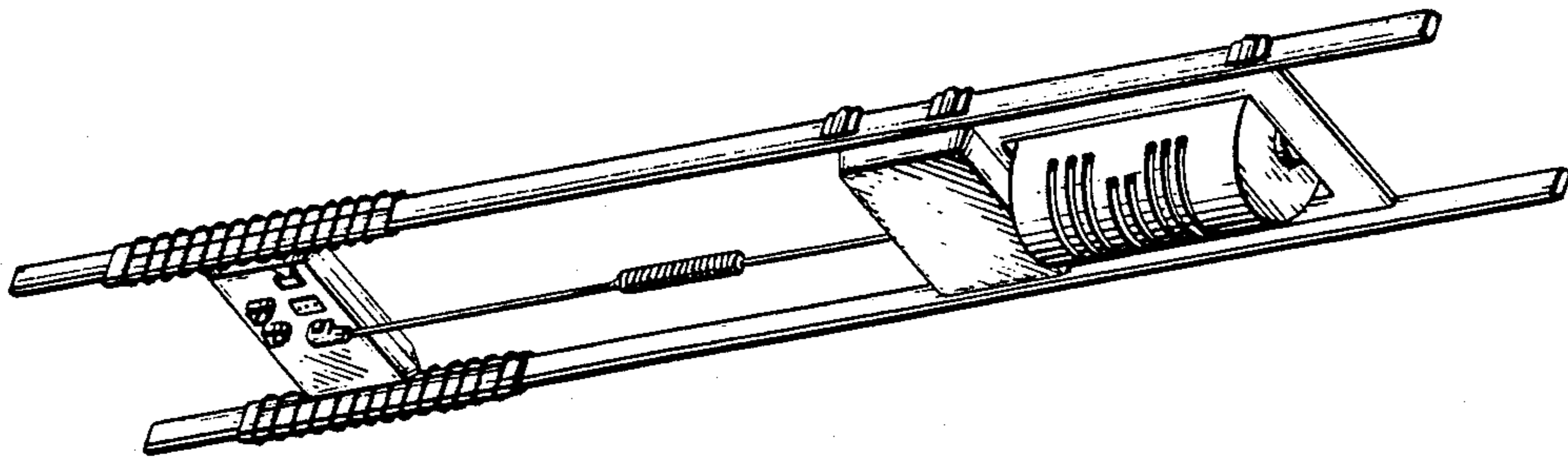
DESCRIPTION

FIG. 1 is a bottom perspective view of an electrical track for a room lighting system showing our new design;

FIGS. 2 and 3 are respectively, enlarged top and bottom plan views thereof;

FIGS. 4 and 5 are respectively, enlarged left and right side elevational views thereof.

FIGS. 6 and 7 are, respectively, enlarged front and rear elevational views thereof.



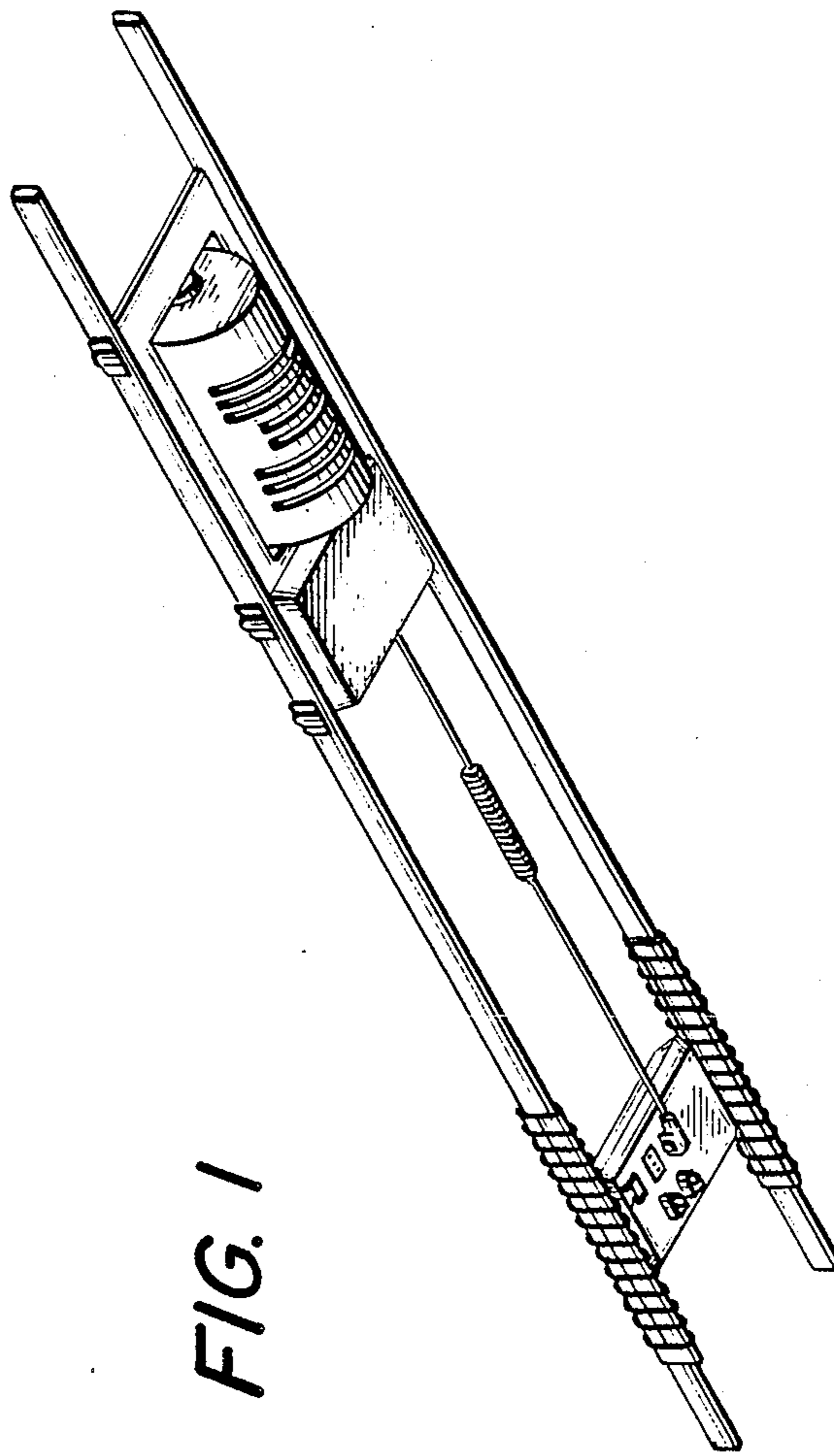


FIG. 1

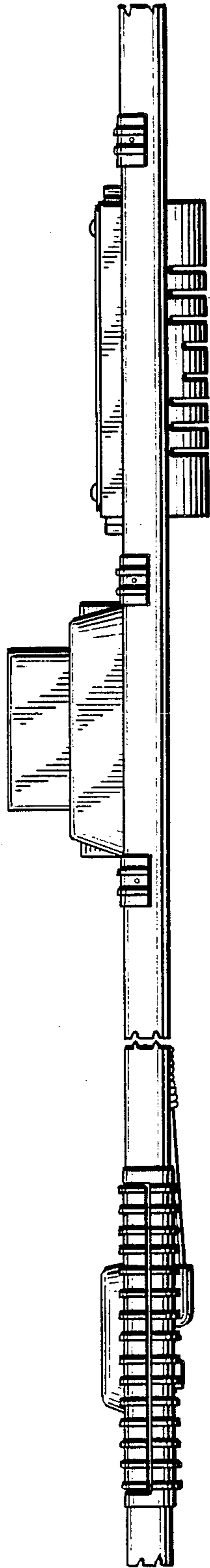
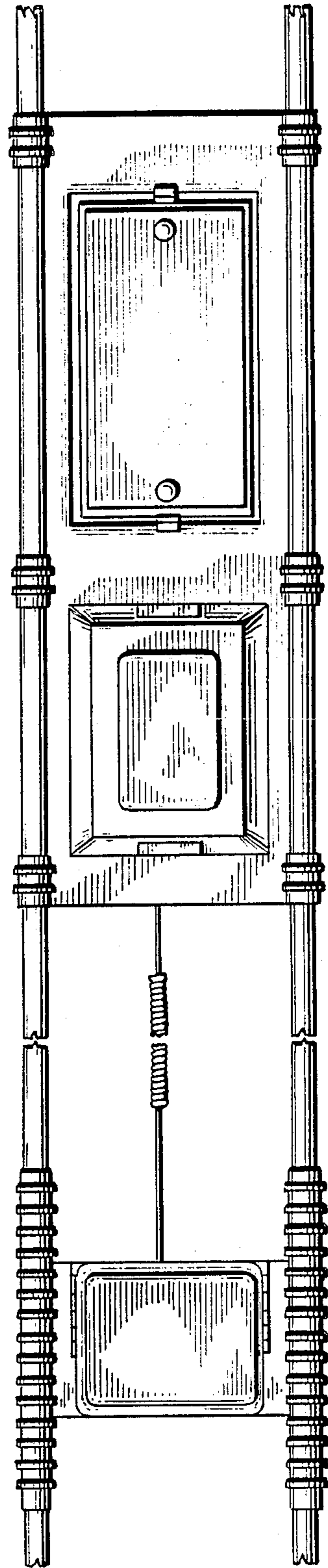


FIG. 4

FIG. 2



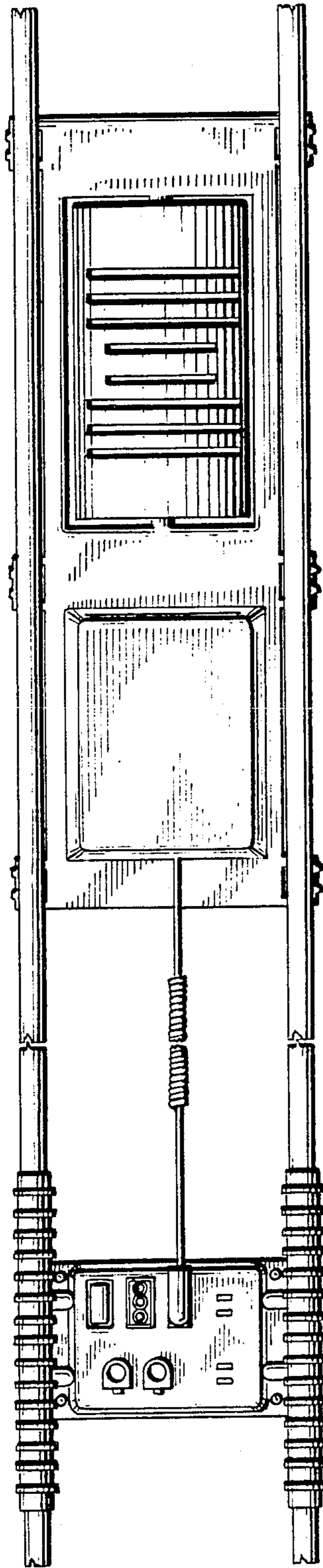


FIG. 3

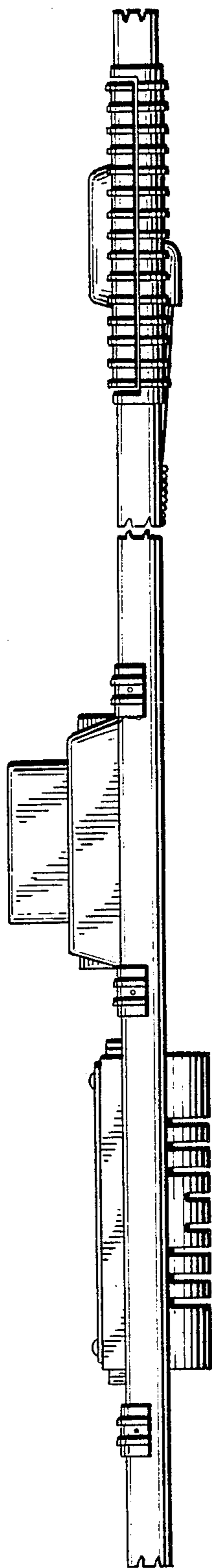


FIG. 5

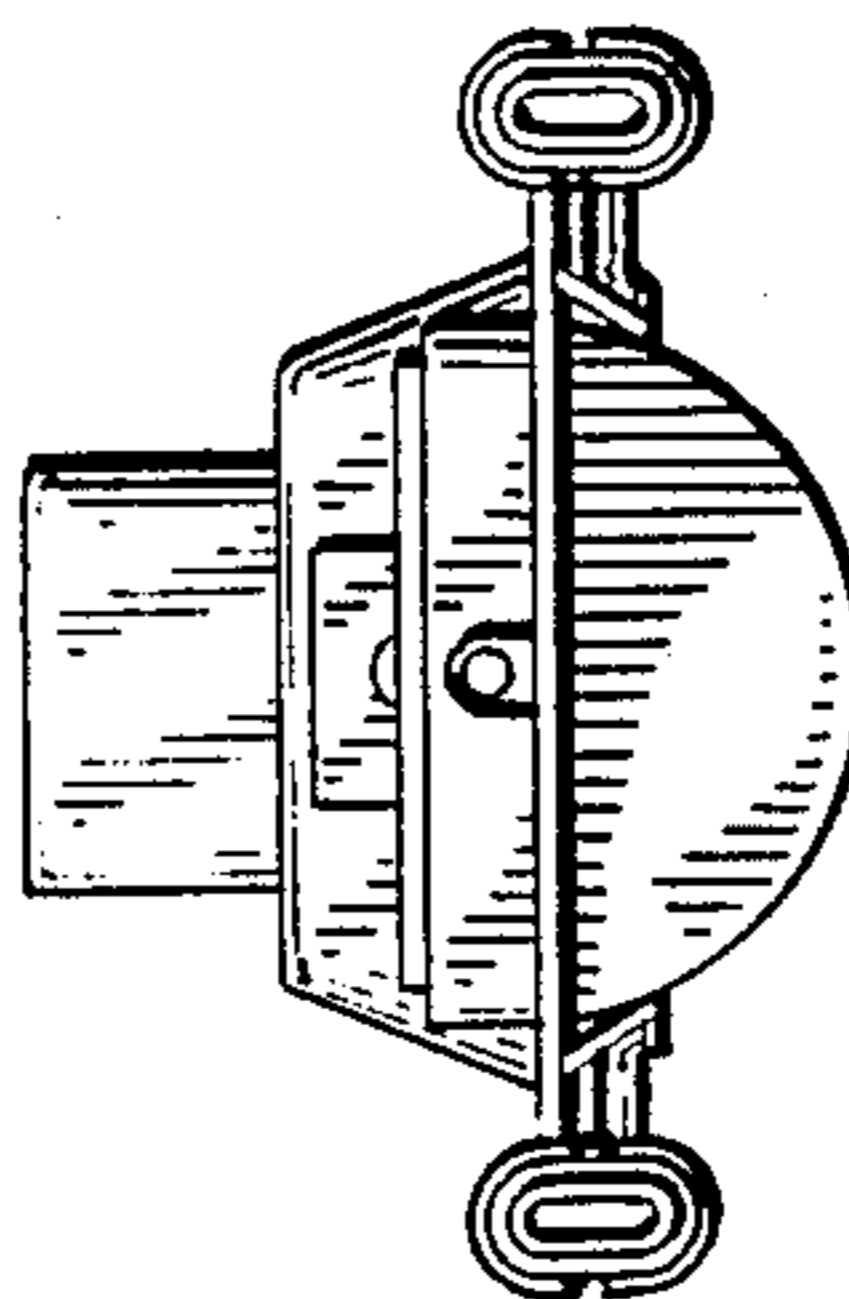


FIG. 7

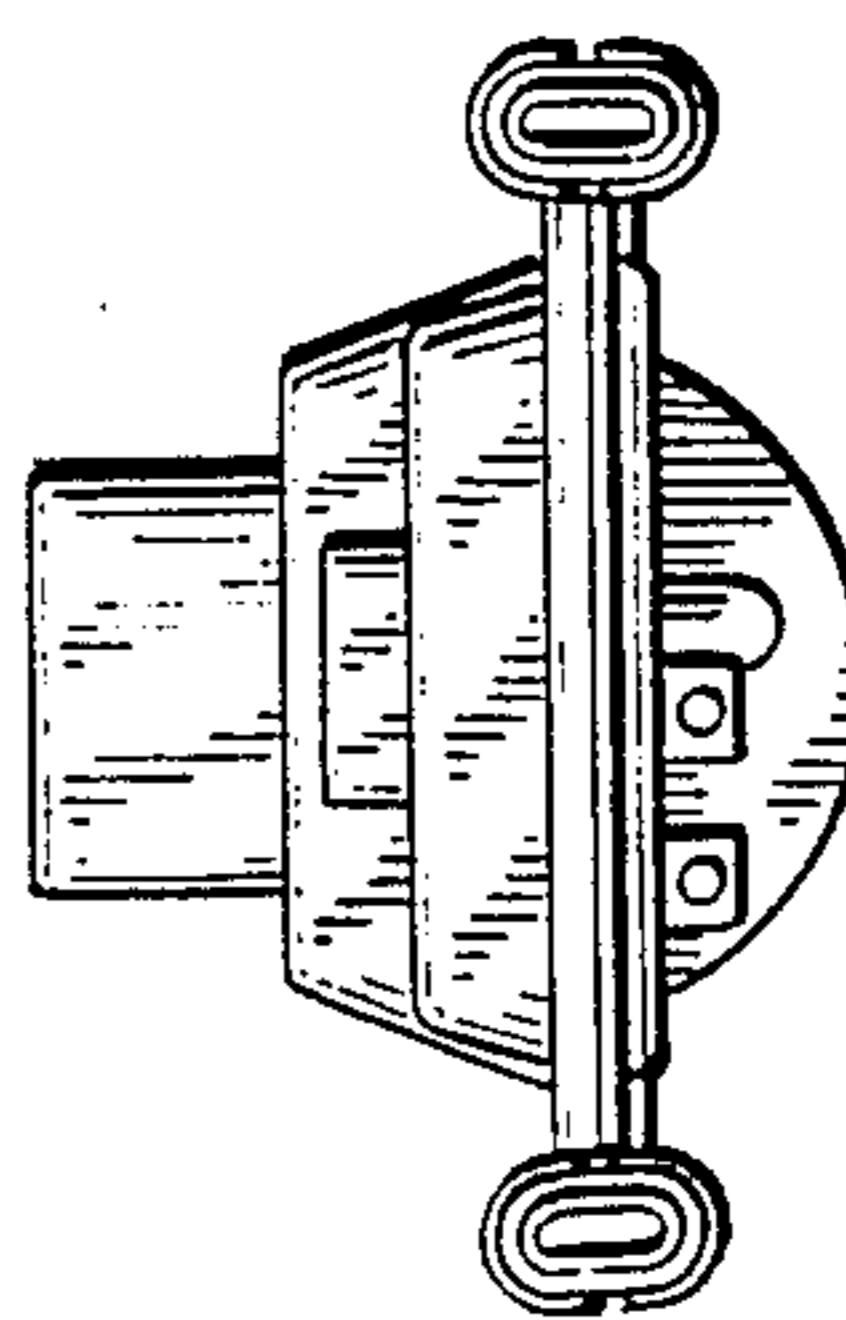


FIG. 6