

[54] DECORATIVE TOP ADAPTED TO BE PLACED OVER THE EXISTING ROOF OF A TRUCK

[75] Inventors: David D. Eash; Richard Hannas, both of Columbia, Md.

[73] Assignee: E&G Classics, Inc., Columbia, Md.

[**] Term: 14 Years

[21] Appl. No.: 267,008

[22] Filed: Nov. 4, 1988

[52] U.S. Cl. D12/156

[58] Field of Search D12/156; 296/102, 103, 296/210, 216

[56] References Cited

U.S. PATENT DOCUMENTS

1,600,512	9/1926	Pierce	296/210
1,640,592	8/1927	Bourgon	296/210
2,548,105	4/1951	George	D12/156
3,846,200	11/1974	Doerfling et al.	156/85
3,910,330	10/1975	Johnson et al.	150/52 K
3,926,471	12/1975	Nadasi et al.	296/137 R
3,935,353	1/1976	Doerfling et al.	428/99
4,154,473	5/1979	Alexander et al.	296/137 R
4,218,088	8/1980	Swindlehurst et al.	296/210
4,238,876	12/1980	Monroe et al.	296/216
4,268,552	5/1981	Duvdevani et al.	428/31
4,475,764	10/1984	Hutchinson et al.	296/136
4,595,230	6/1986	Fettes	296/210
4,606,573	8/1986	Schneider	296/210
4,699,420	10/1987	Priest et al.	296/210

OTHER PUBLICATIONS

- Hot Rod, 3/86, p. 27, Top of Chevy S-10 Pickup Truck, top of page.
- Motor Trend, 1/83, Top of Ford Ranger Pickup Truck, top of p. 64.
- J. C. Whitney Catalog No. 366 F ©, 1977, p. 32, Vinyl Landau Top for Pickup Trucks, bottom left side of page.
- 1979 Cadillac Brochure, p. 12, Roof of Cadillac Custom Phaeton Coupe, bottom of page.
- E&G Classics, Inc., 1985-86 Cadillac Coupe de Ville

Half Top Package Installation Instructions and Parts List.

1985 Buick Electra and Park Avenue Half Top Package Installation Instructions Manual.

E&G Classics, Inc., 1985 Cadillac Sedan de Ville and Fleetwood 1/2 Top Package Installation Instructions Manual.

Primary Examiner—James M. Gandy

Attorney, Agent, or Firm—Saidman, Sterne, Kessler & Goldstein

[57] CLAIM

The ornamental design for a decorative top adapted to be placed over the existing roof of a truck, as shown and described.

DESCRIPTION

FIG. 1 is a left side elevational view of a decorative top adapted to be placed over the existing roof of a truck showing our new design;

FIG. 2 is an enlarged left side elevational view thereof; FIG. 3 is an enlarged right side elevational view thereof;

FIG. 4 is an enlarged top perspective view thereof;

FIG. 5 is an enlarged front elevational view thereof;

FIG. 6 is an enlarged rear elevational view thereof;

FIG. 7 is a left side elevational view of a second embodiment of a decorative top adapted to be placed over the existing roof of a truck showing our new design;

FIG. 8 is an enlarged left side elevational view of the top shown in FIG. 7;

FIG. 9 is an enlarged right side elevational view of the top shown in FIG. 7;

FIG. 10 is an enlarged front elevational view of the top shown in FIG. 7;

FIG. 11 is an enlarged rear elevational view of the top shown in FIG. 7.

The top view of the second embodiment of the claimed design is substantially the same as that of the first embodiment shown in FIG. 4 of the drawing.

The broken line showing of a truck in FIGS. 1 and 7, is for illustrative purposes only and forms no part of the claimed design.

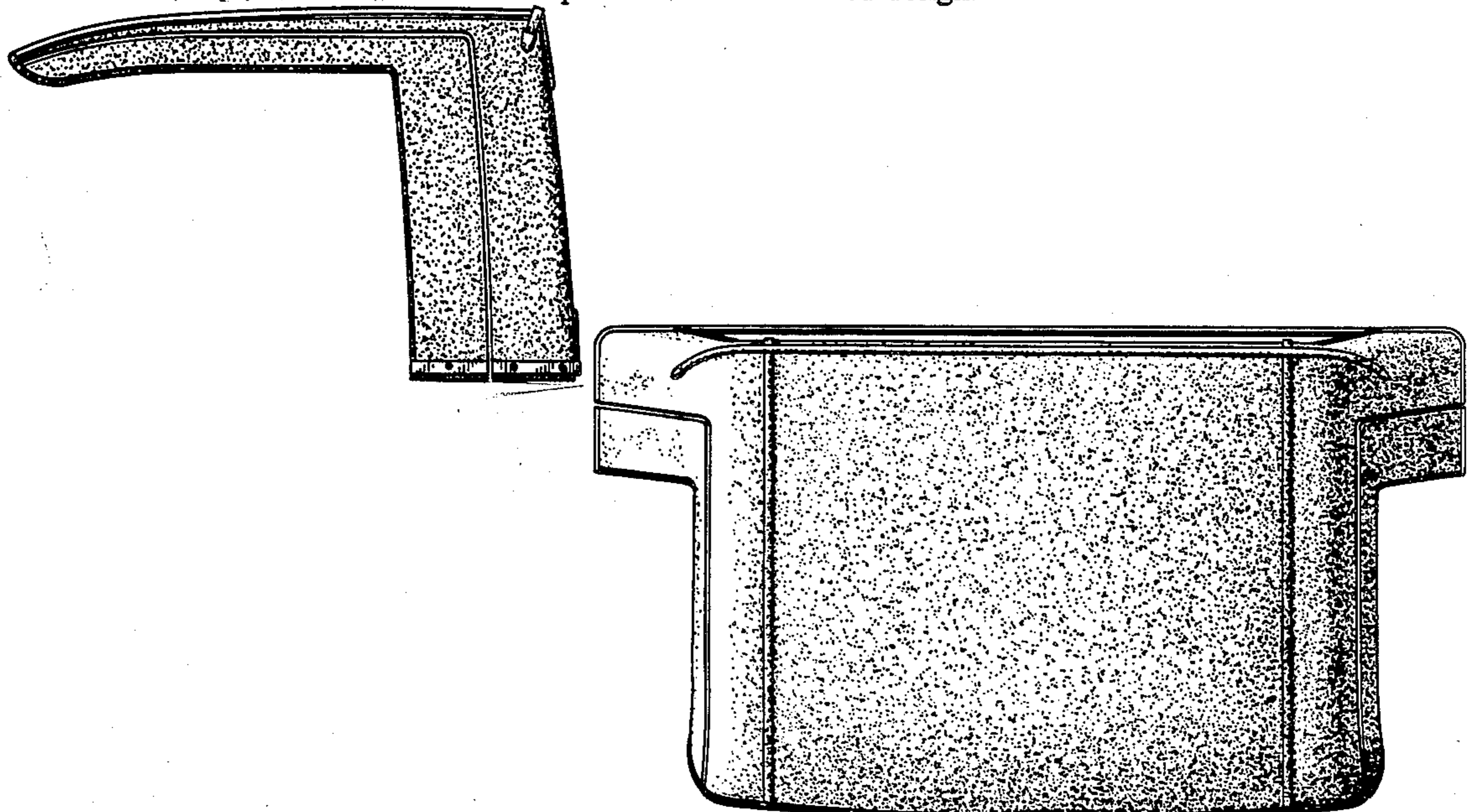


FIG. 1

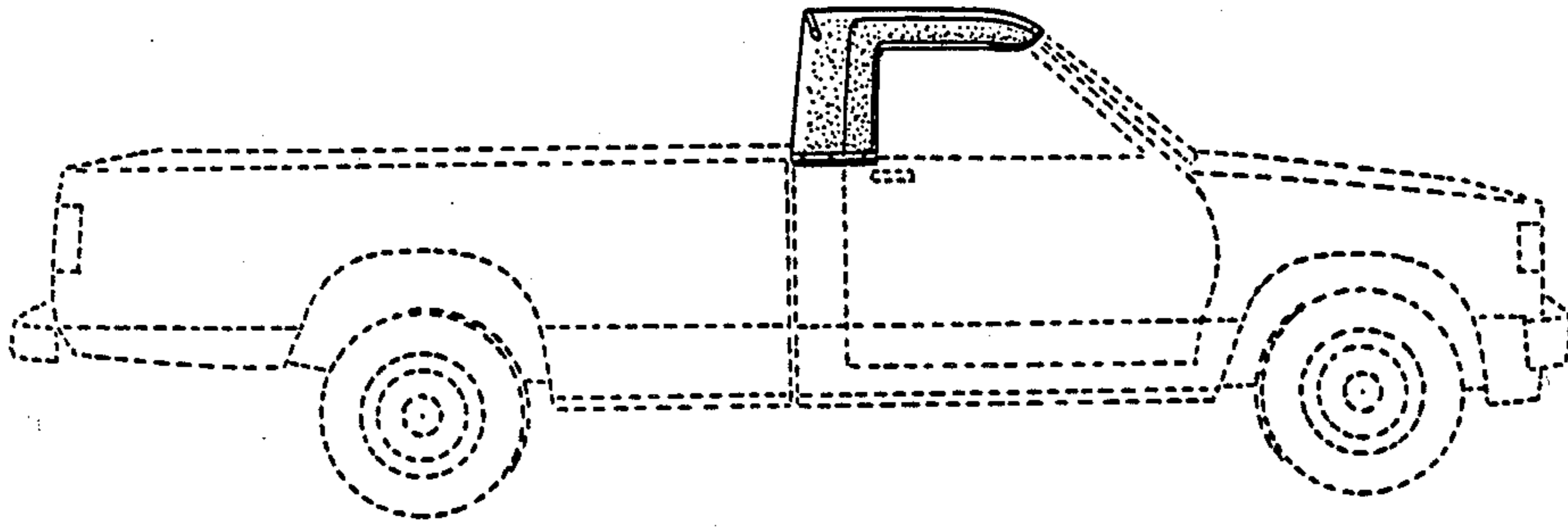


FIG. 2

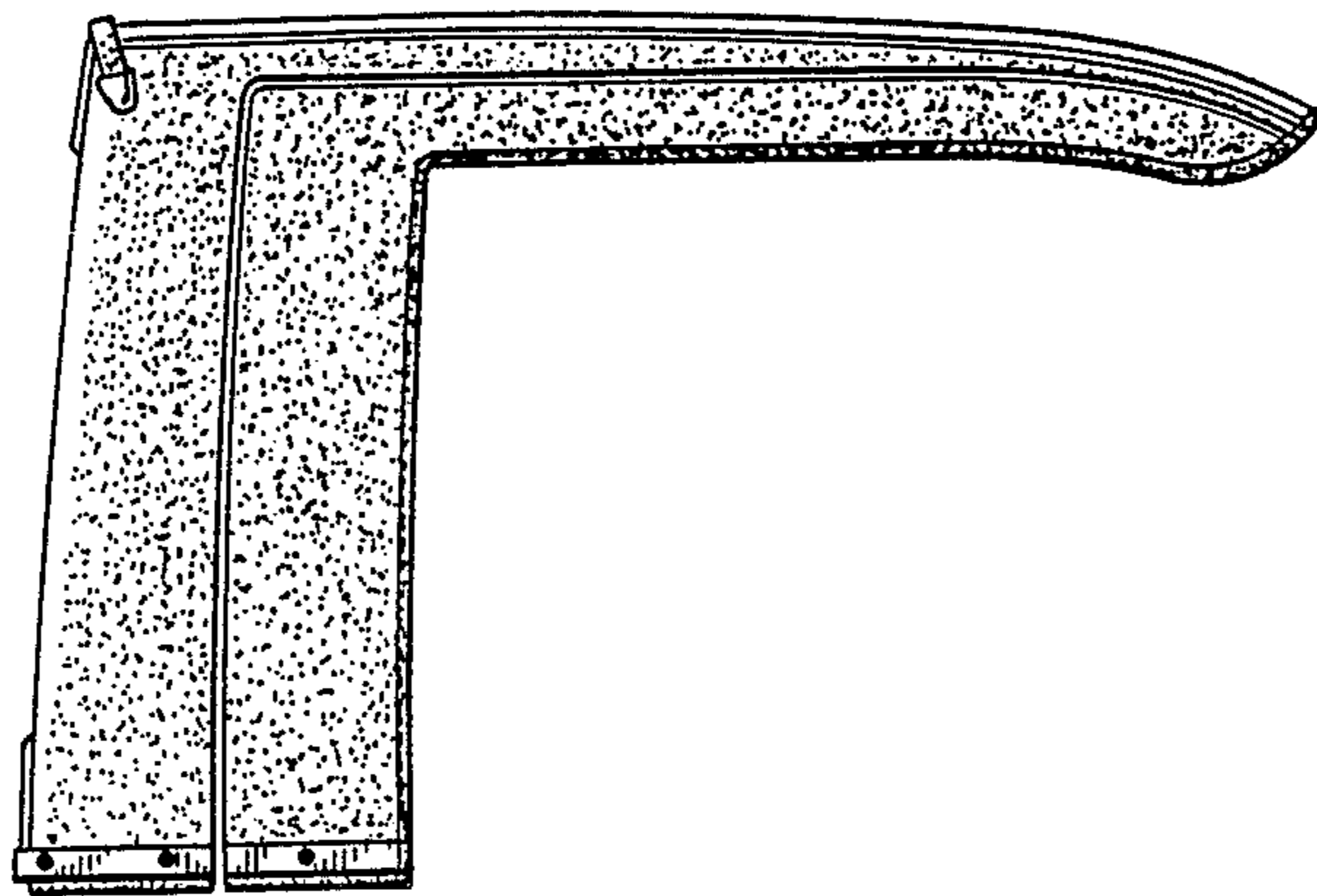


FIG. 3

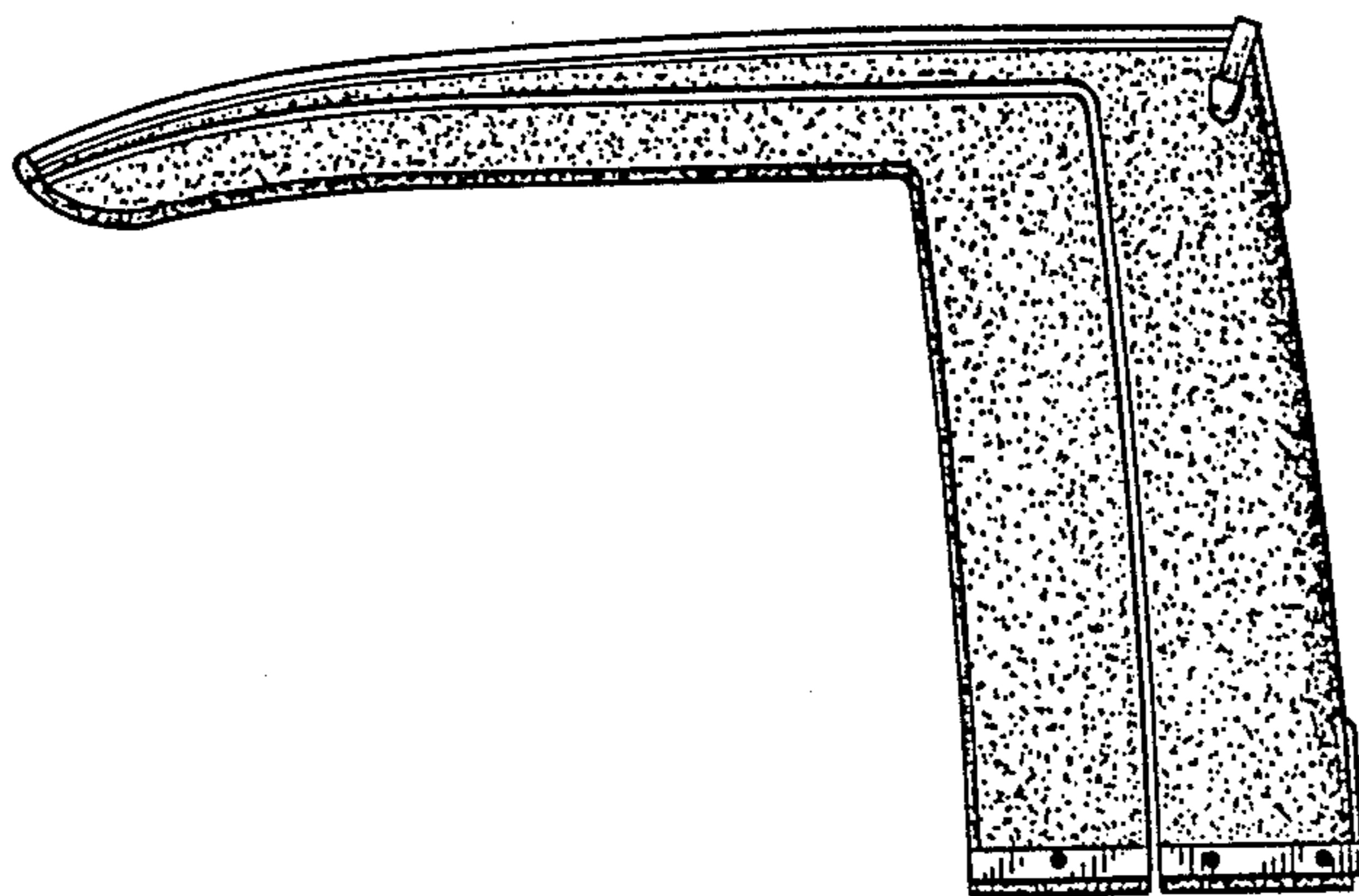


FIG. 4

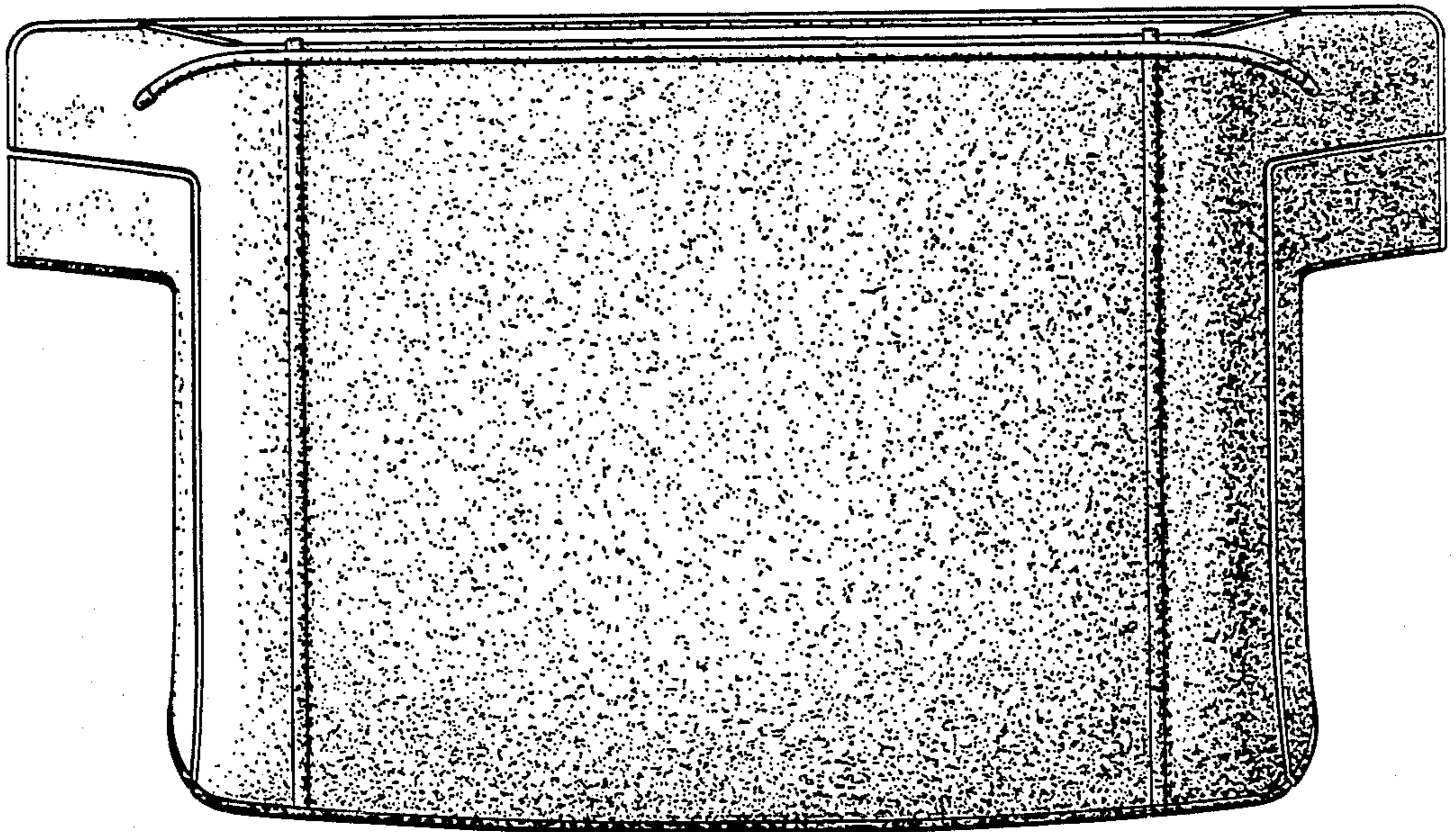


FIG. 5

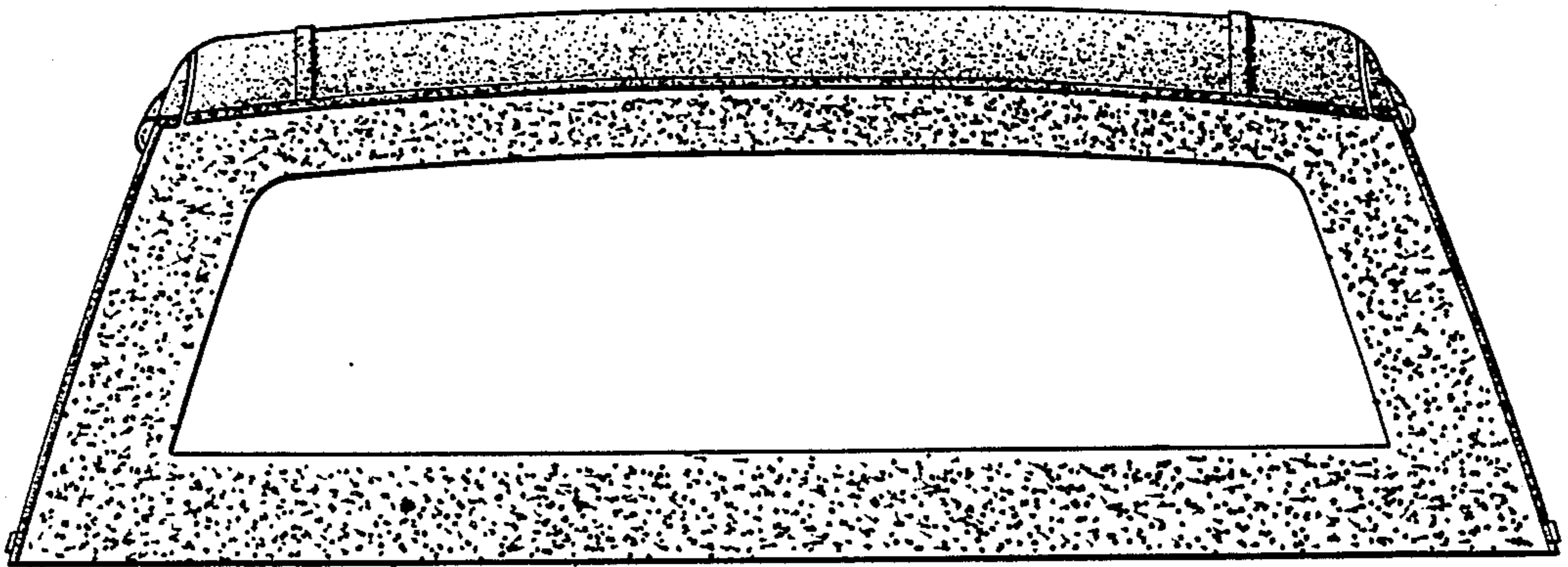


FIG. 6

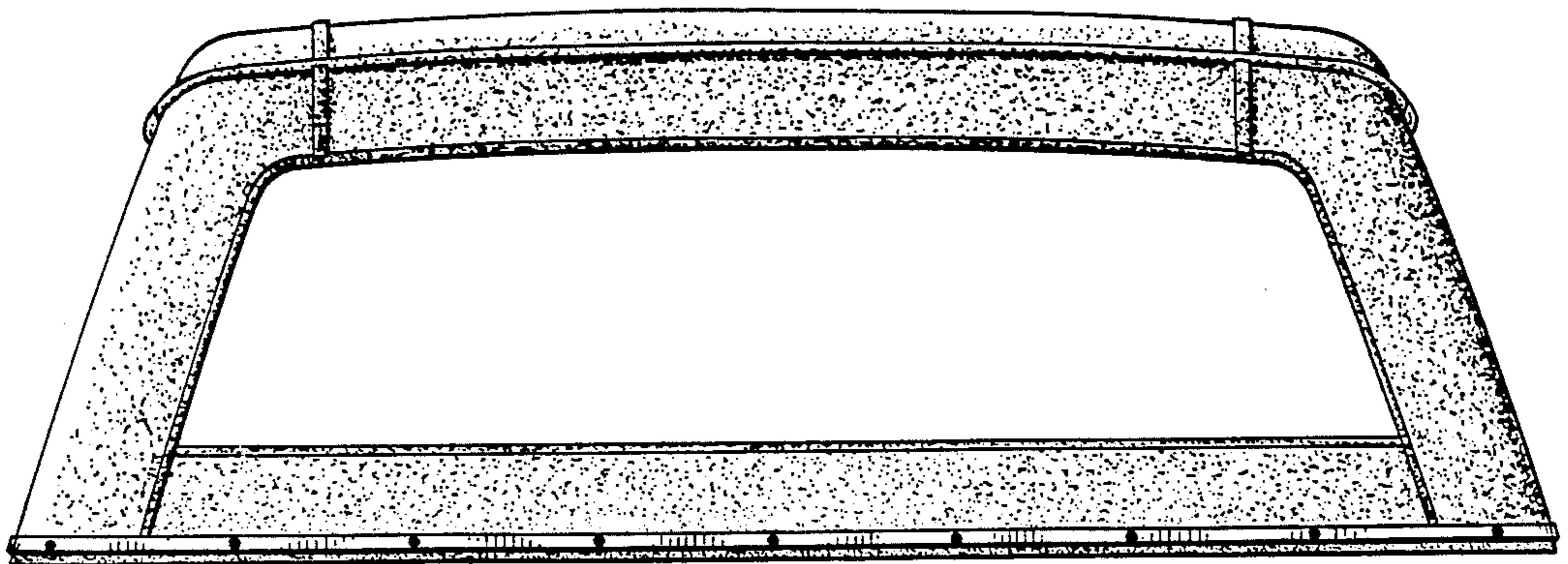


FIG. 7

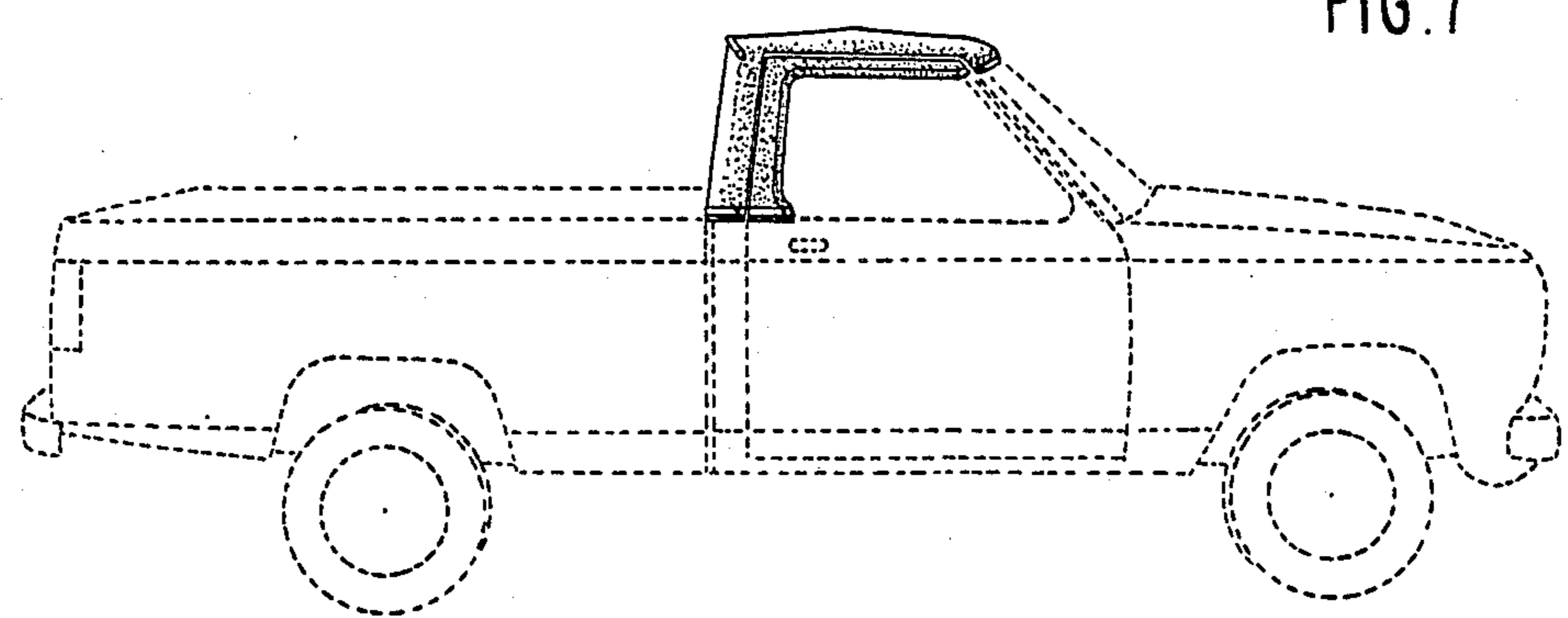


FIG. 8

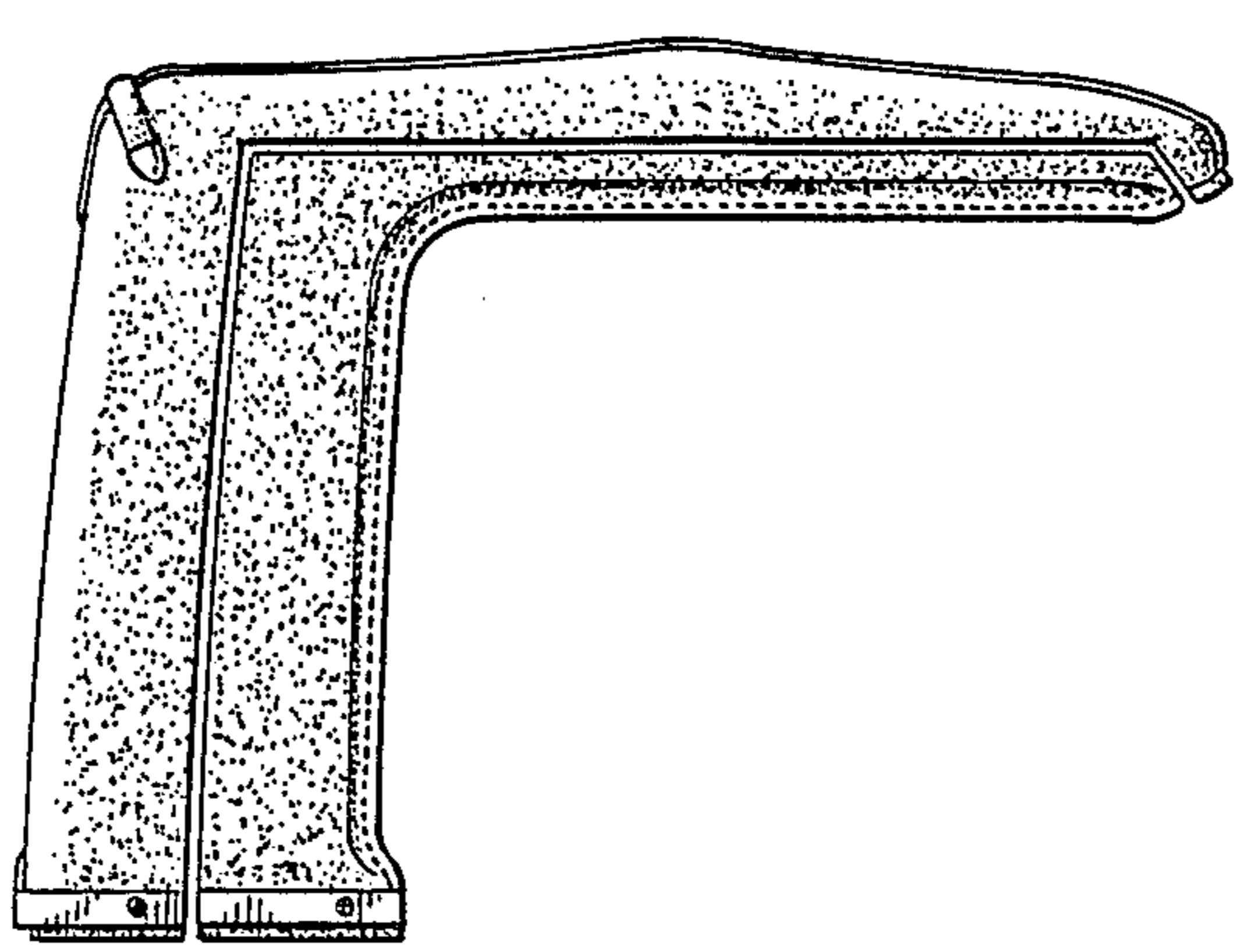


FIG. 9

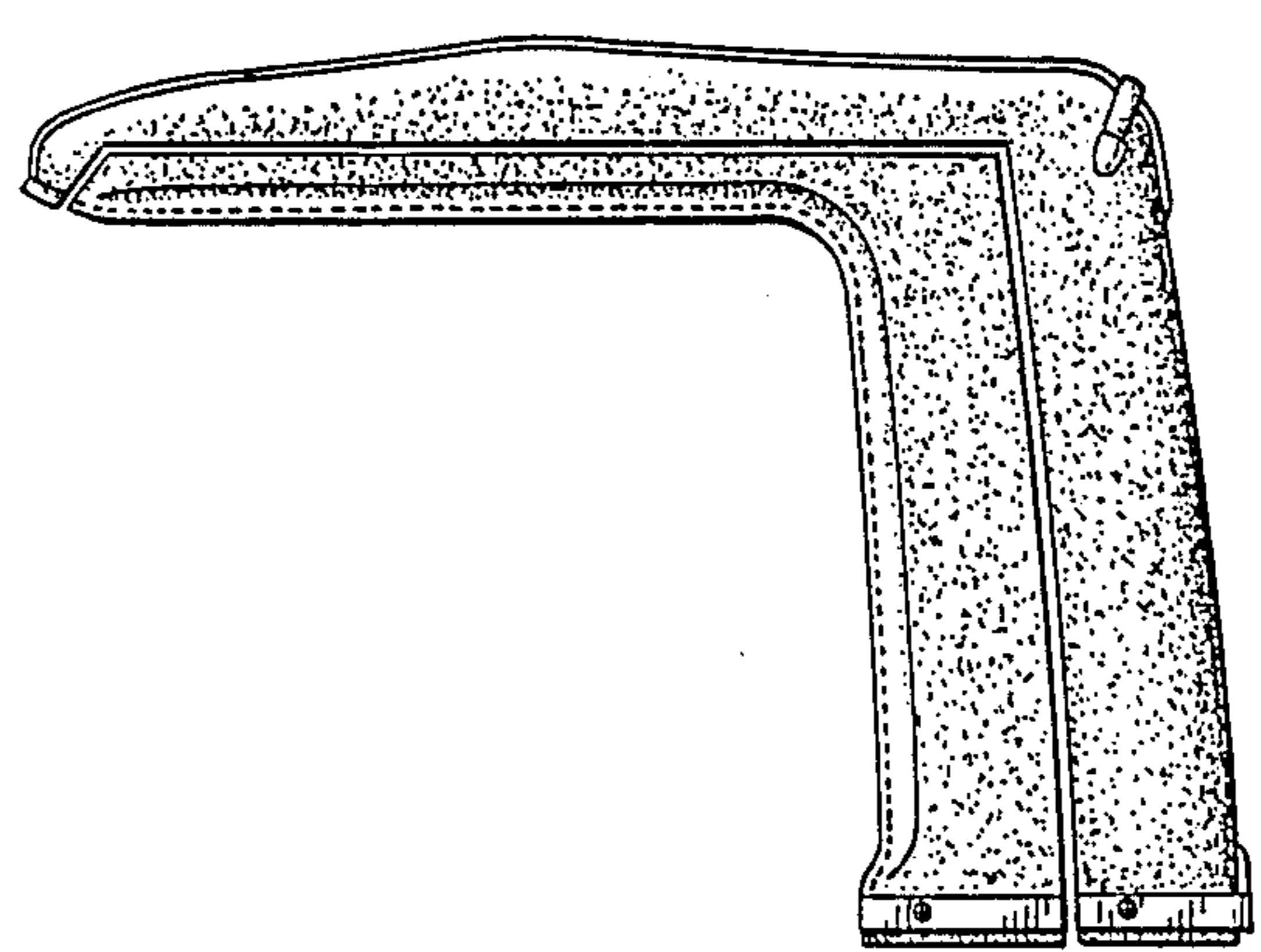


FIG. 10

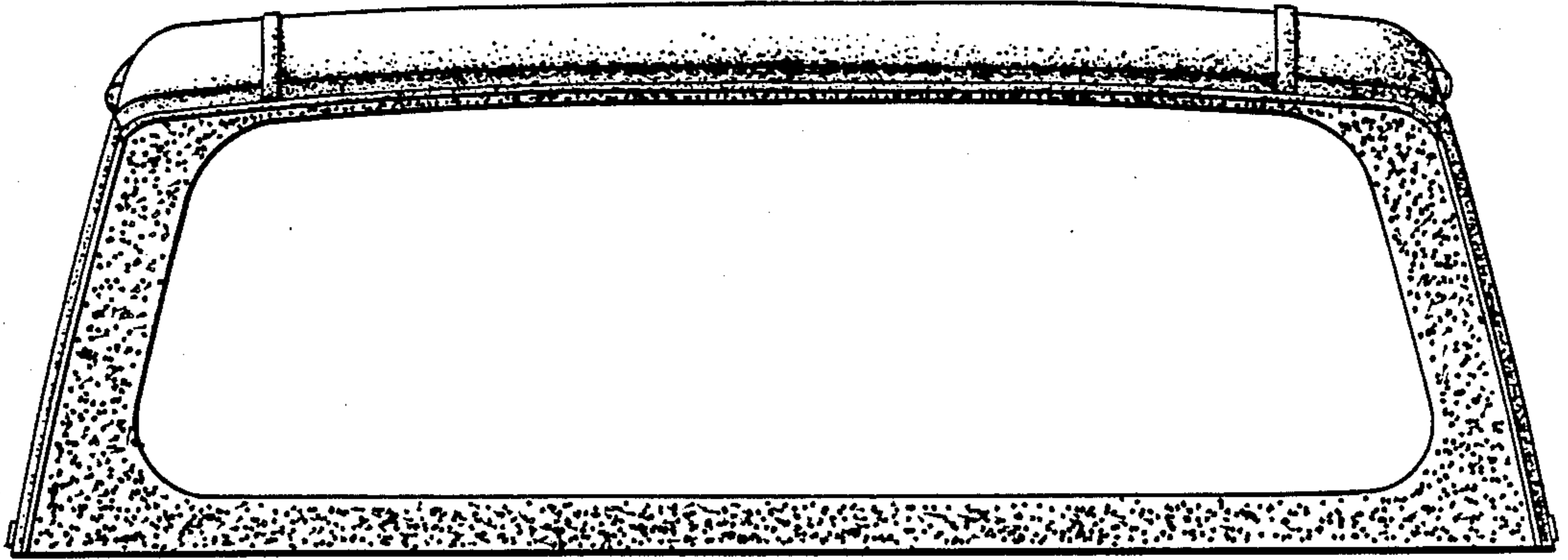


FIG. 11

