

[54] **GEOMETRIC ORNAMENT**

[76] **Inventor: Randall S. Rochte, 5 Concord Green #6, Concord, Me. 01742**

[\*\*] **Term: 14 Years**

[21] **Appl. No.: 851,688**

[22] **Filed: Apr. 14, 1986**

[52] **U.S. Cl. .... D11/131**

[58] **Field of Search ..... D11/131, 141, 142, 157; D19/61; 428/7; 272/8 N, 7 N**

[56] **References Cited**

**U.S. PATENT DOCUMENTS**

- D. 216,365 12/1969 Benz ..... D19/61
- D. 226,797 5/1973 Schneider ..... D11/157
- D. 249,534 9/1978 Denney ..... D19/61
- D. 259,866 7/1981 Mortillaro ..... D11/131

- D. 261,373 10/1981 Fisher ..... D11/131
- 4,214,747 7/1980 Rebájes ..... 428/7

*Primary Examiner*—B. J. Bullock  
*Assistant Examiner*—Dominic Simone  
*Attorney, Agent, or Firm*—Albert O. Cota

[57] **CLAIM**

The ornamental design for a geometric ornament, as shown and described.

**DESCRIPTION**

FIG. 1 is a perspective view of a geometric ornament showing my new design.

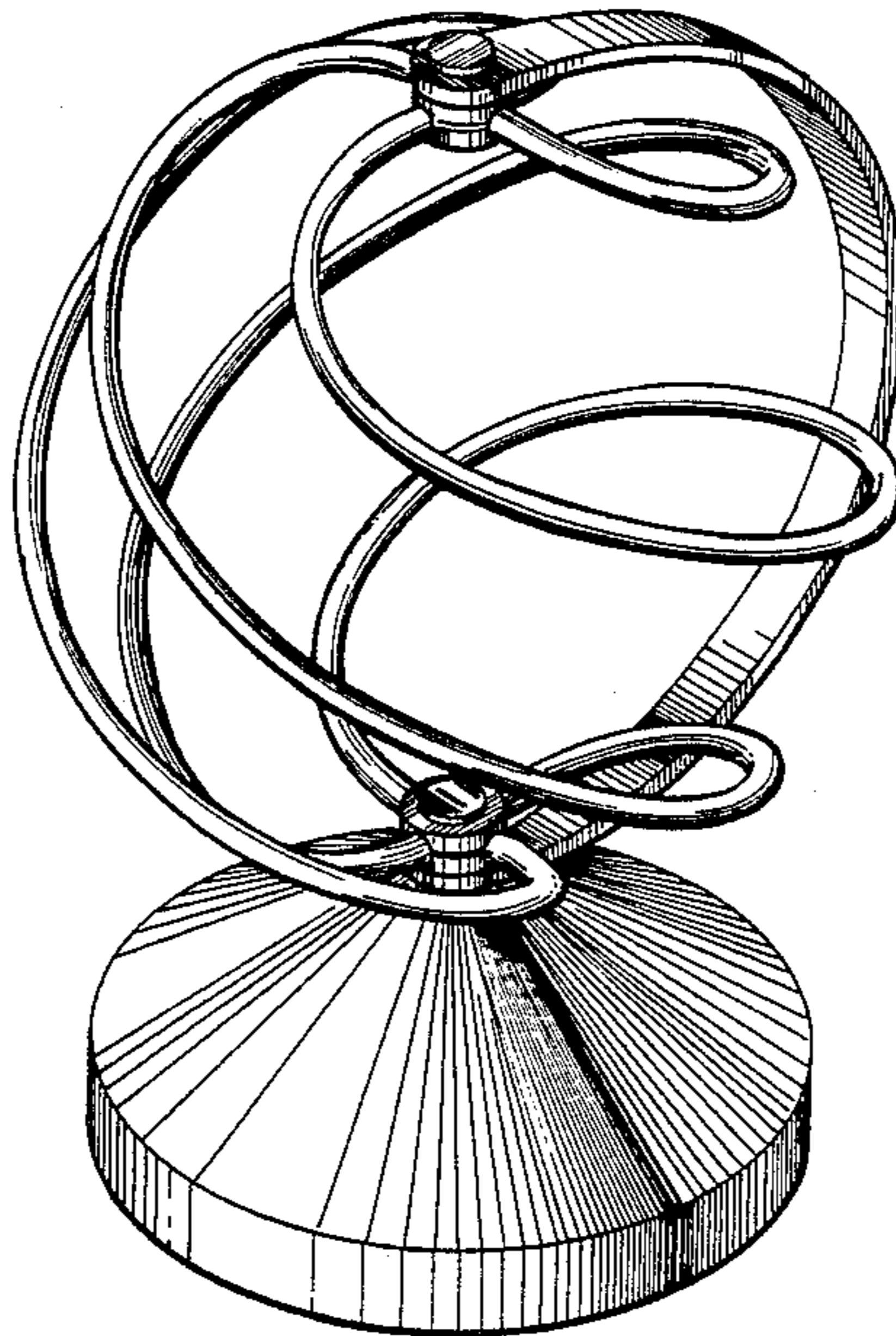
FIG. 2 is a top view thereof;

FIG. 3 is a bottom view thereof;

FIG. 4 is a side view thereof;

FIG. 5 is a rear view thereof;

FIG. 6 is a front view thereof.



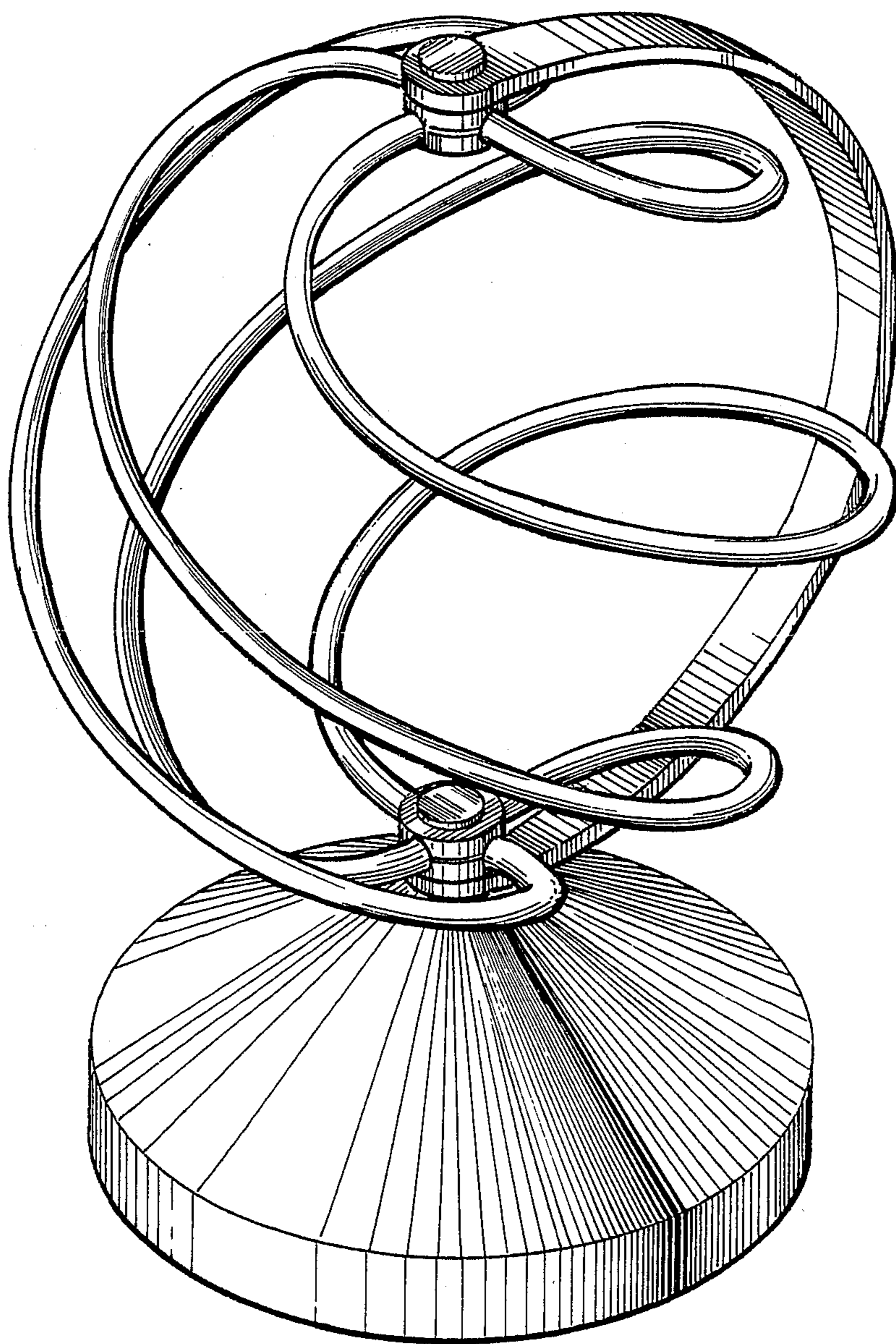


Fig. 1.

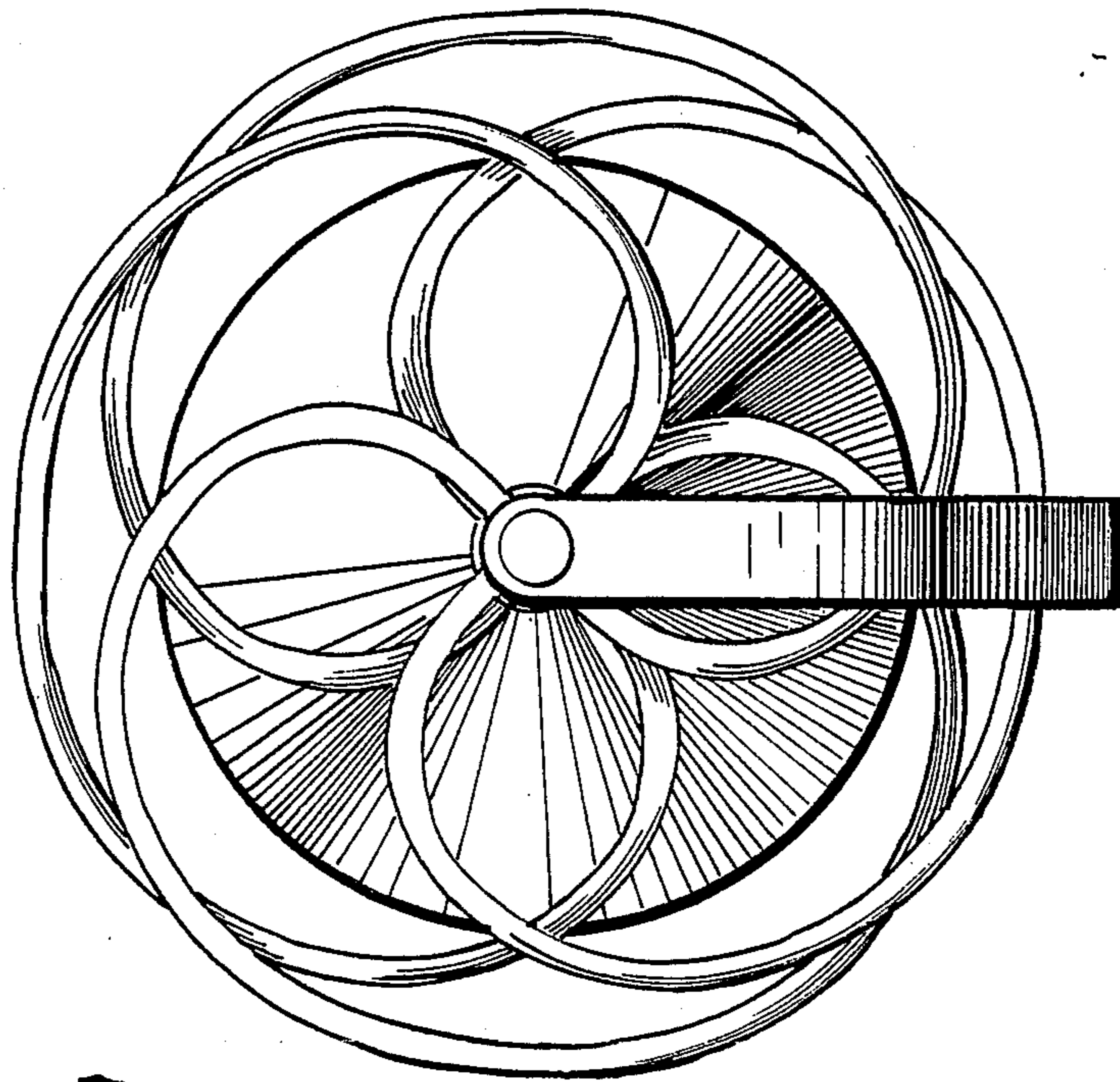
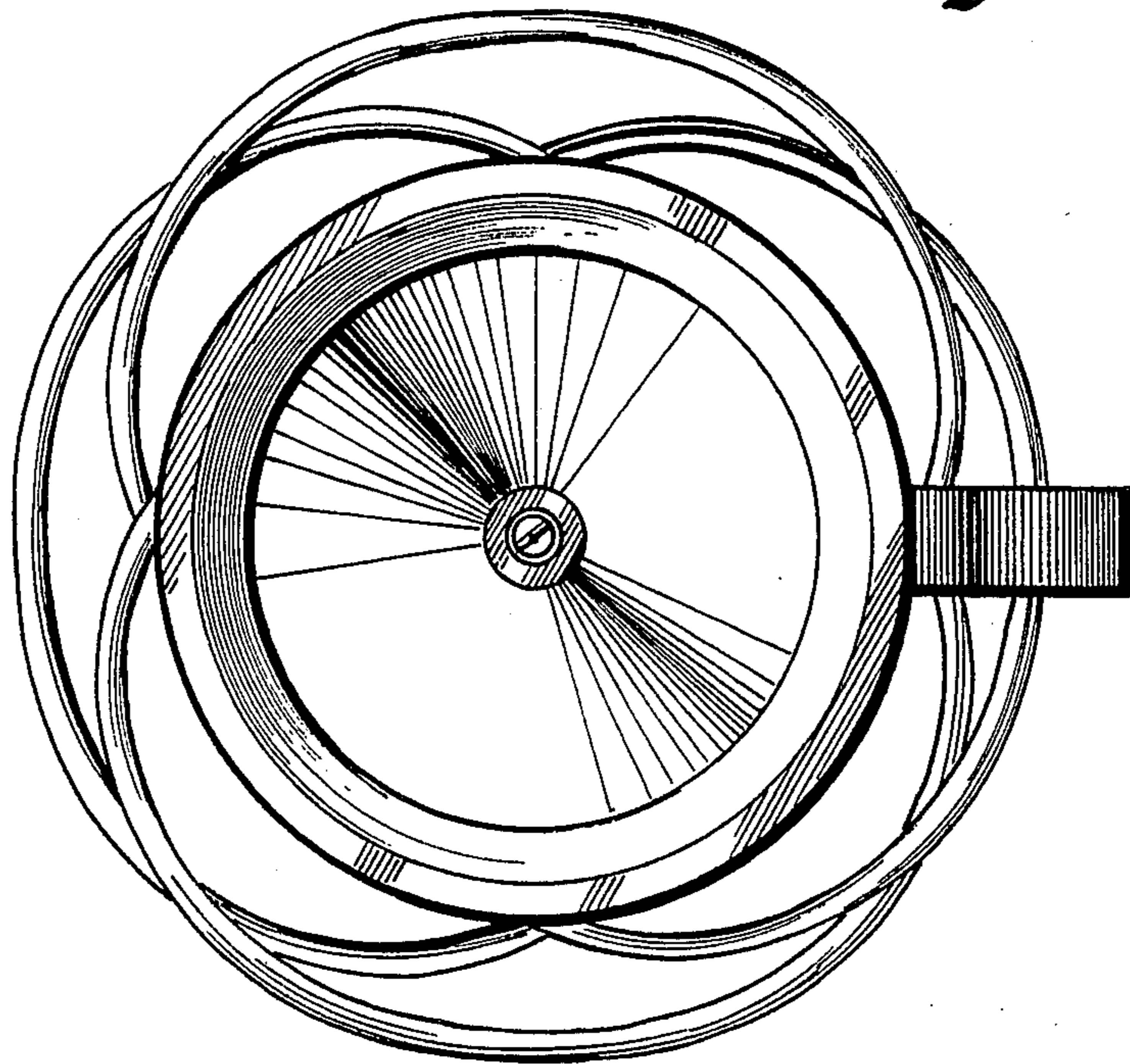
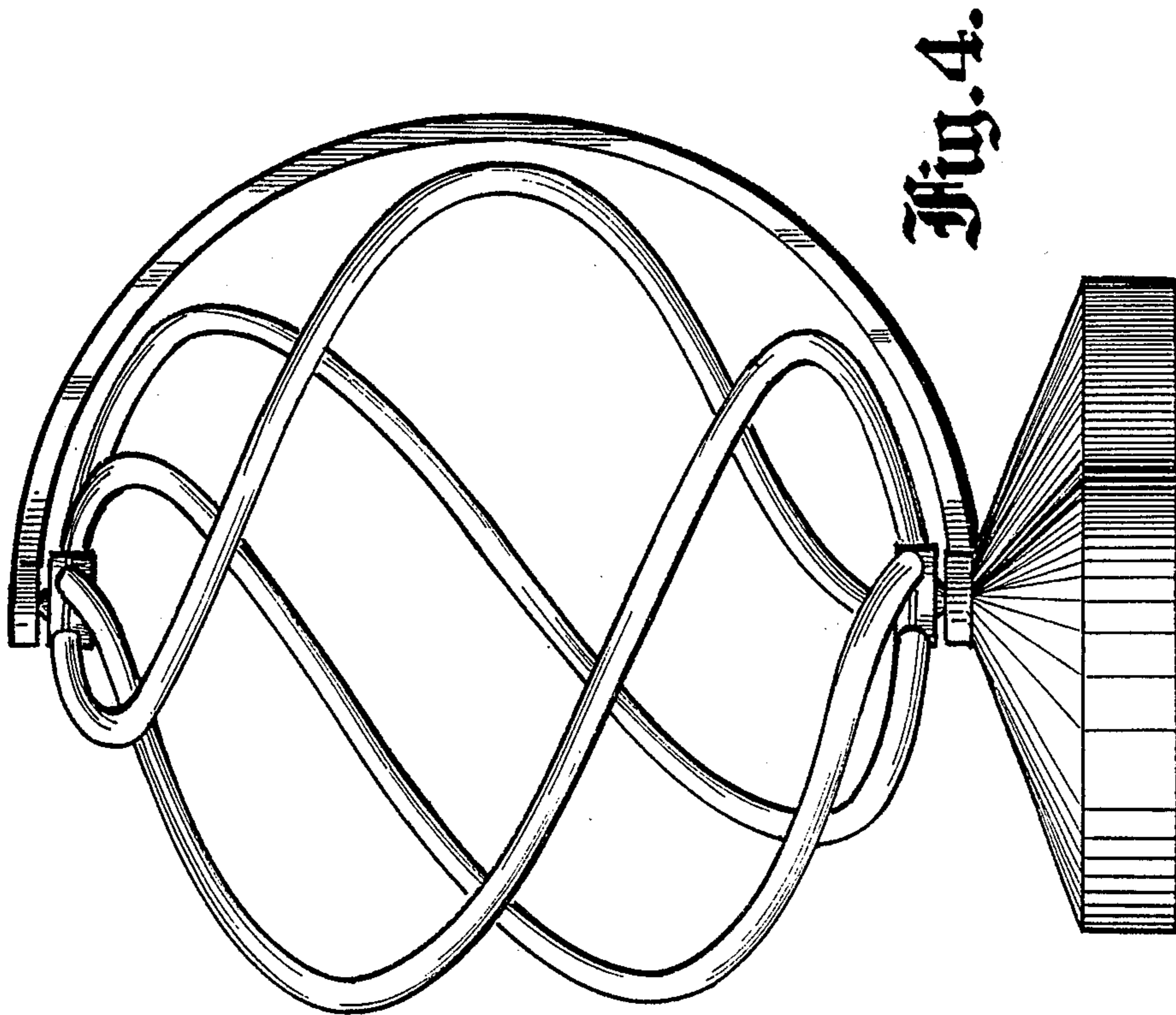
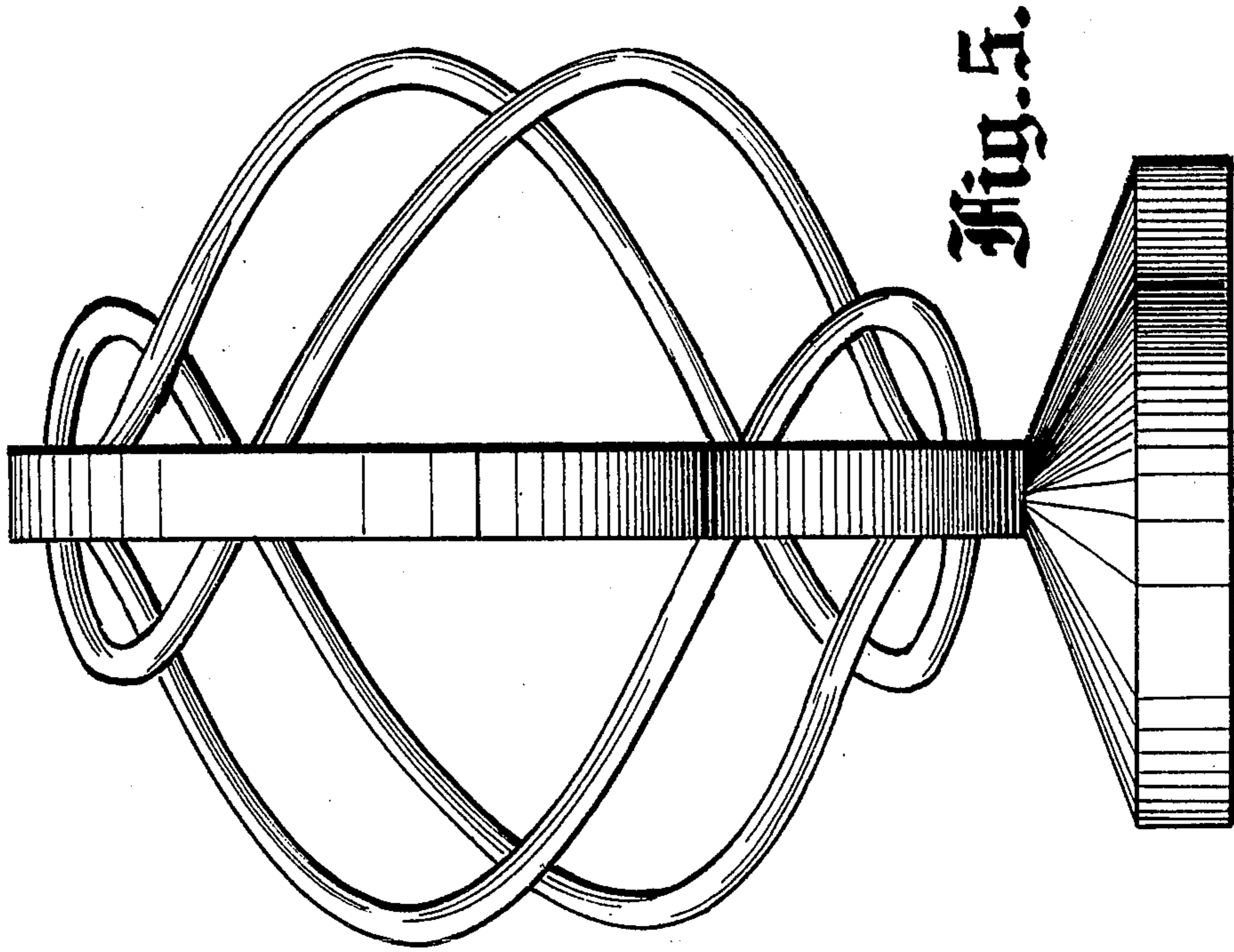


Fig. 2.

Fig. 3.





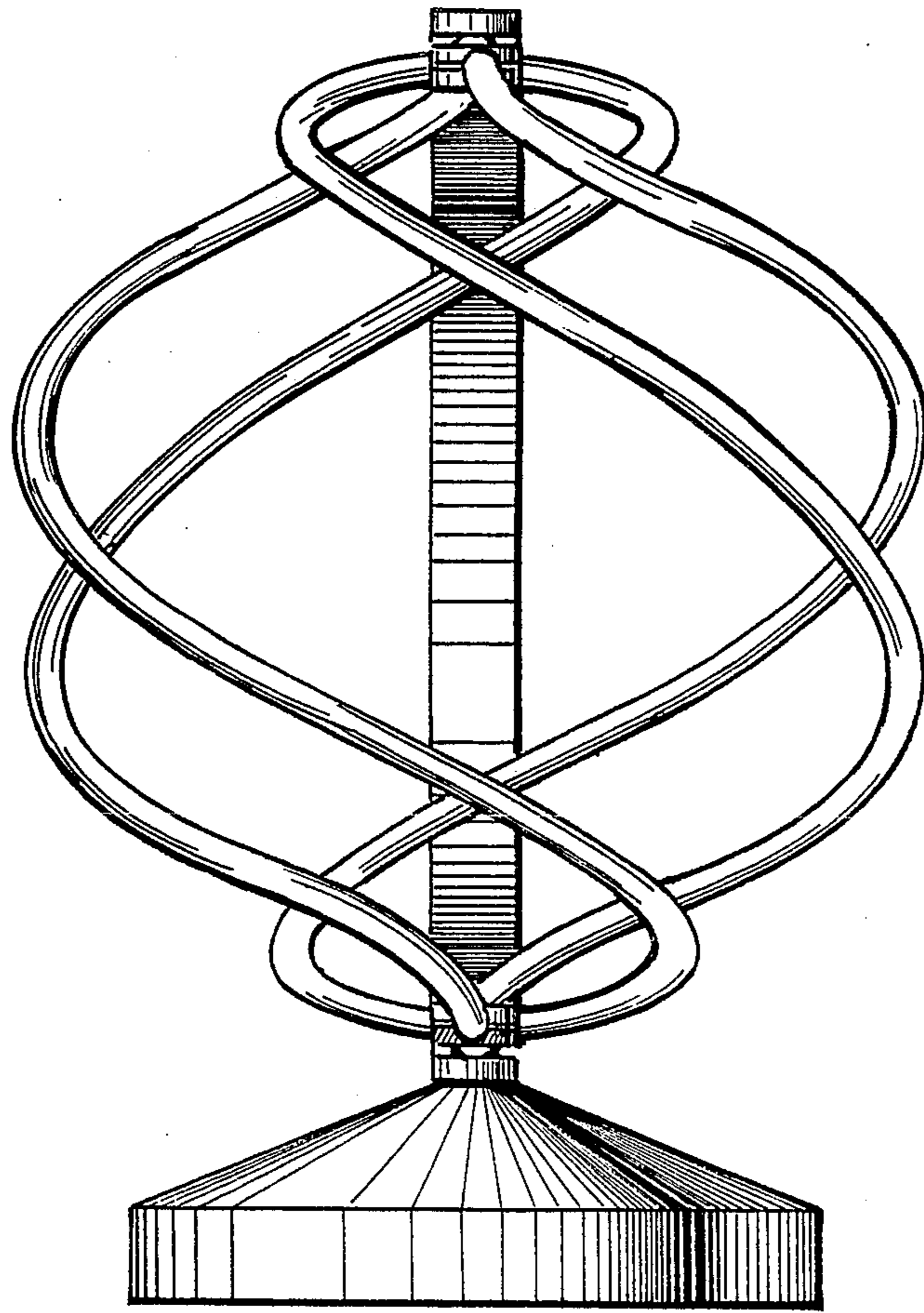


Fig. 6.