

# United States Patent [19]

Holewinski

[11] Patent Number: **Des. 304,157**

[45] Date of Patent: **\*\* Oct. 24, 1989**

[54] **PACKAGE FOR DENTAL PRODUCTS**

[75] Inventor: **Robert D. Holewinski, Lakehurst, N.J.**

[73] Assignee: **Johnson & Johnson Consumer Products, Inc., New Brunswick, N.J.**

[\*\*] Term: **14 Years**

[21] Appl. No.: **934,535**

[22] Filed: **Nov. 24, 1986**

[52] U.S. Cl. .... **D9/347**

[58] Field of Search ..... **D9/337, 341, 345, 414, D9/415, 418, 420, 424, 425; 206/63.5, 368, 83, 369, 461, 463, 470, 471; D28/64**

[56] **References Cited**

**U.S. PATENT DOCUMENTS**

- D. 236,437 8/1975 Leathers ..... D9/342
- D. 263,561 3/1982 Wong ..... D9/424 X

- D. 292,776 11/1987 Cugley ..... D9/415
- 3,567,013 3/1971 Tannenbaum ..... 229/2.5 X
- 4,570,818 2/1986 Forst et al. .... D9/426 X
- 4,697,700 10/1987 Weissman ..... 206/63.5

*Primary Examiner*—Bernard Ansher  
*Assistant Examiner*—Prabhakar Deshmukh

[57] **CLAIM**

The ornamental design for package for dental products, as shown and described.

**DESCRIPTION**

FIG. 1 is a perspective view of a package for dental products showing my new design; FIG. 2 is a left side elevation thereof; FIG. 3 is a right side elevation thereof; FIG. 4 is a top plan view thereof; FIG. 5 is a front elevation thereof; FIG. 6 is a bottom plan view thereof; and FIG. 7 is a rear side elevation thereof.

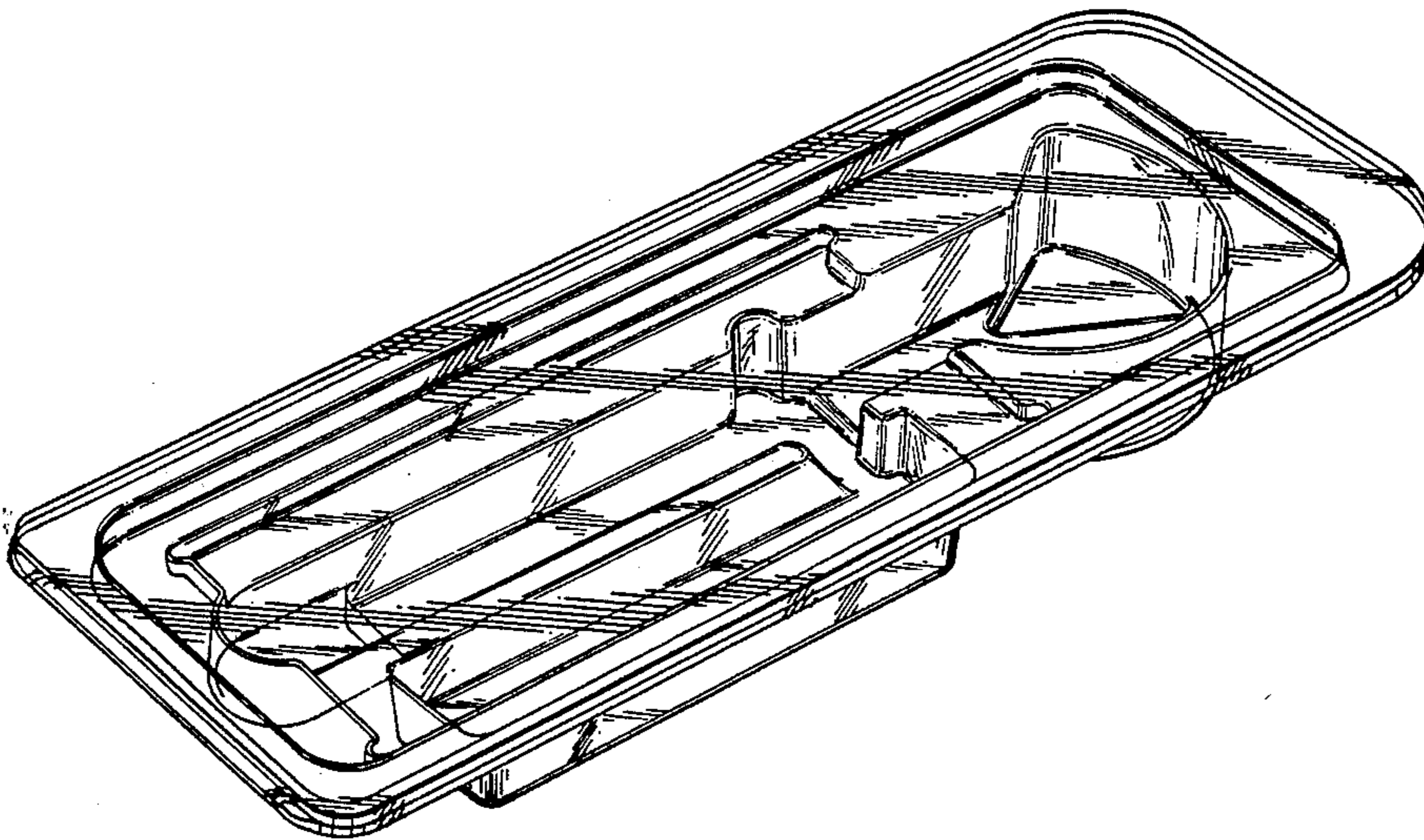


FIG-1

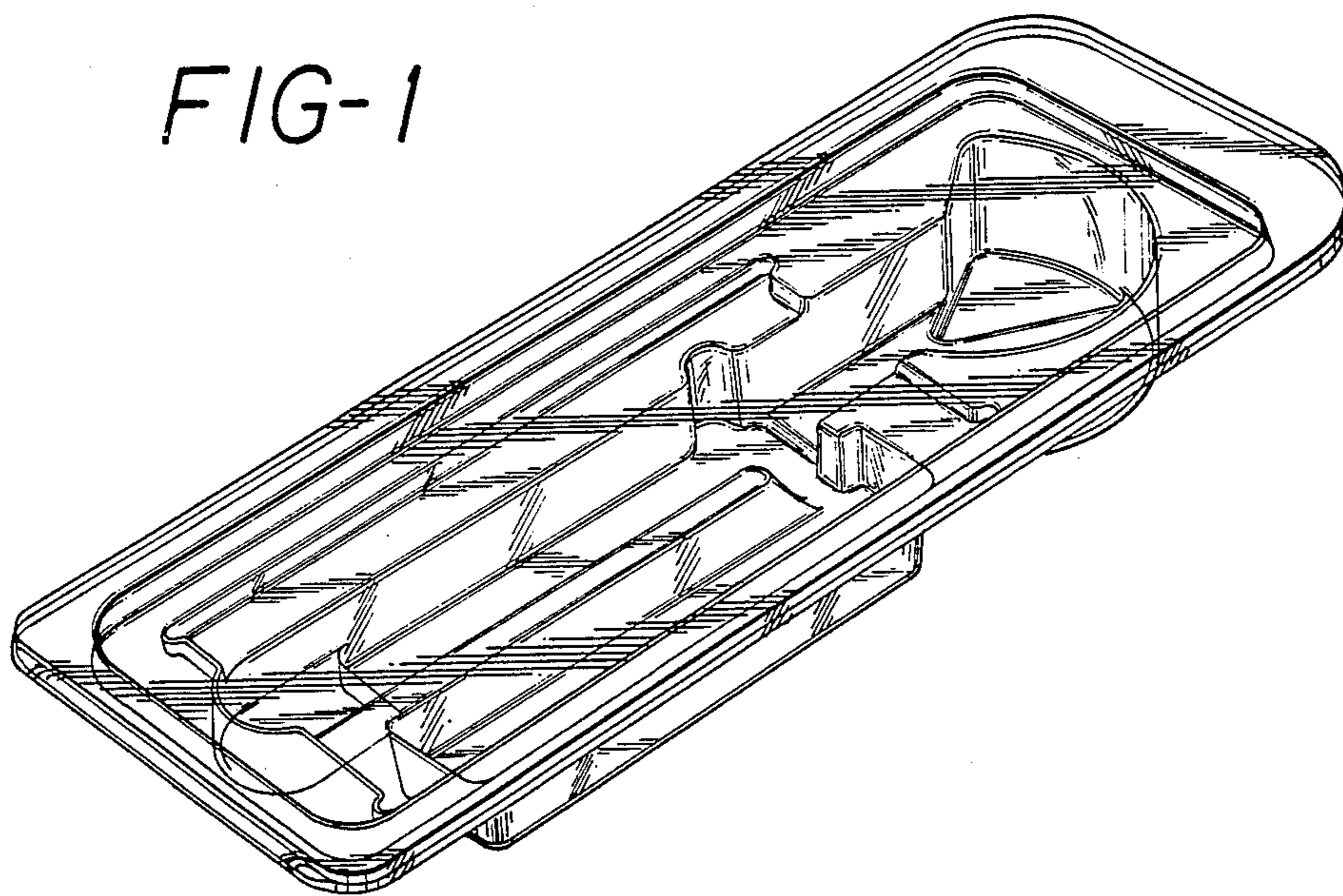


FIG-2

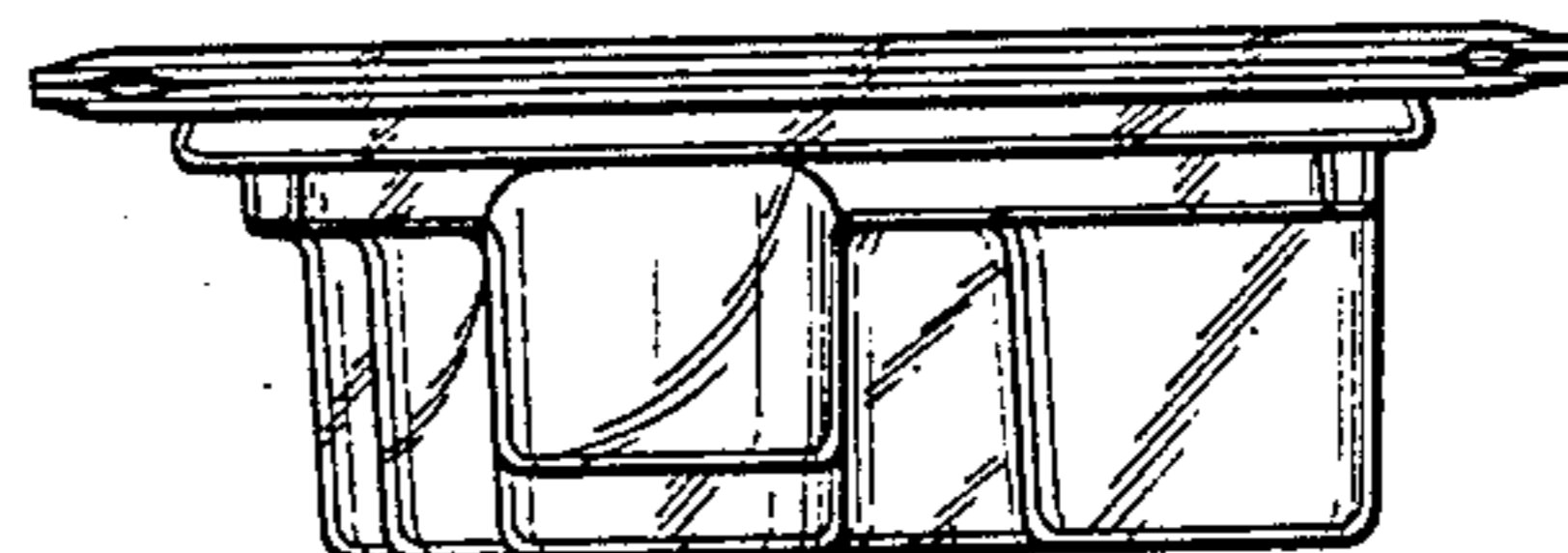


FIG-3

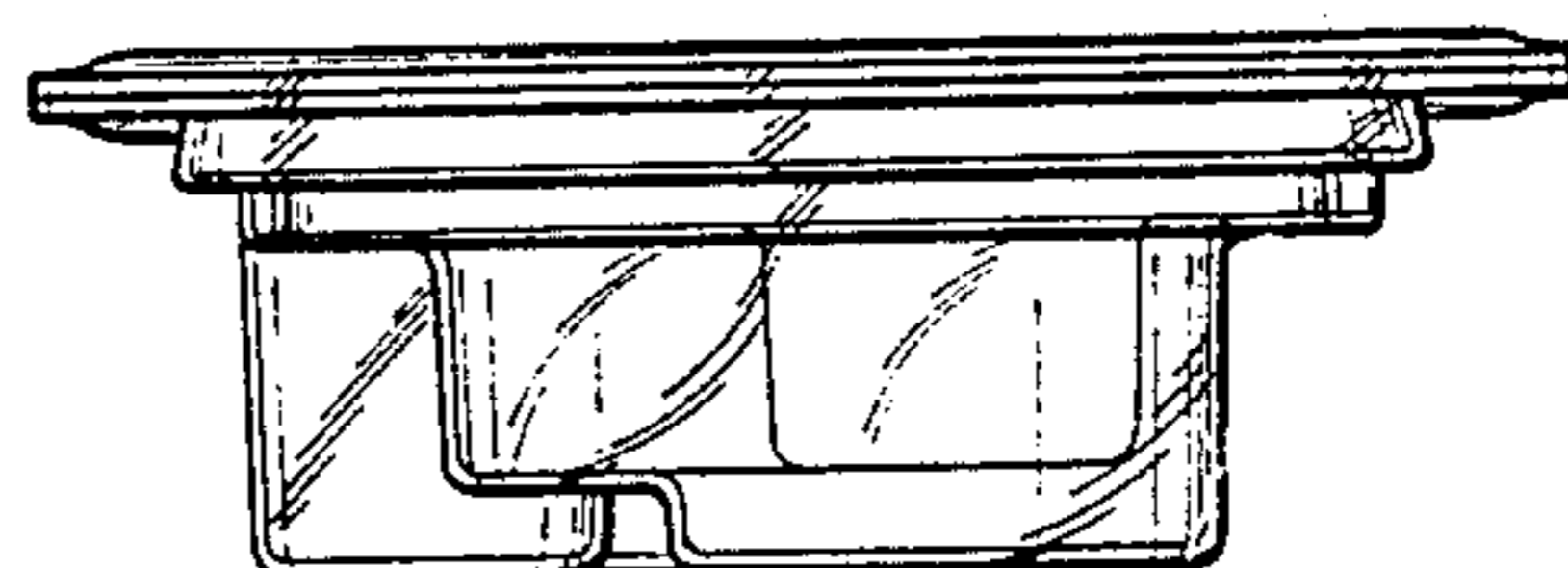


FIG-4

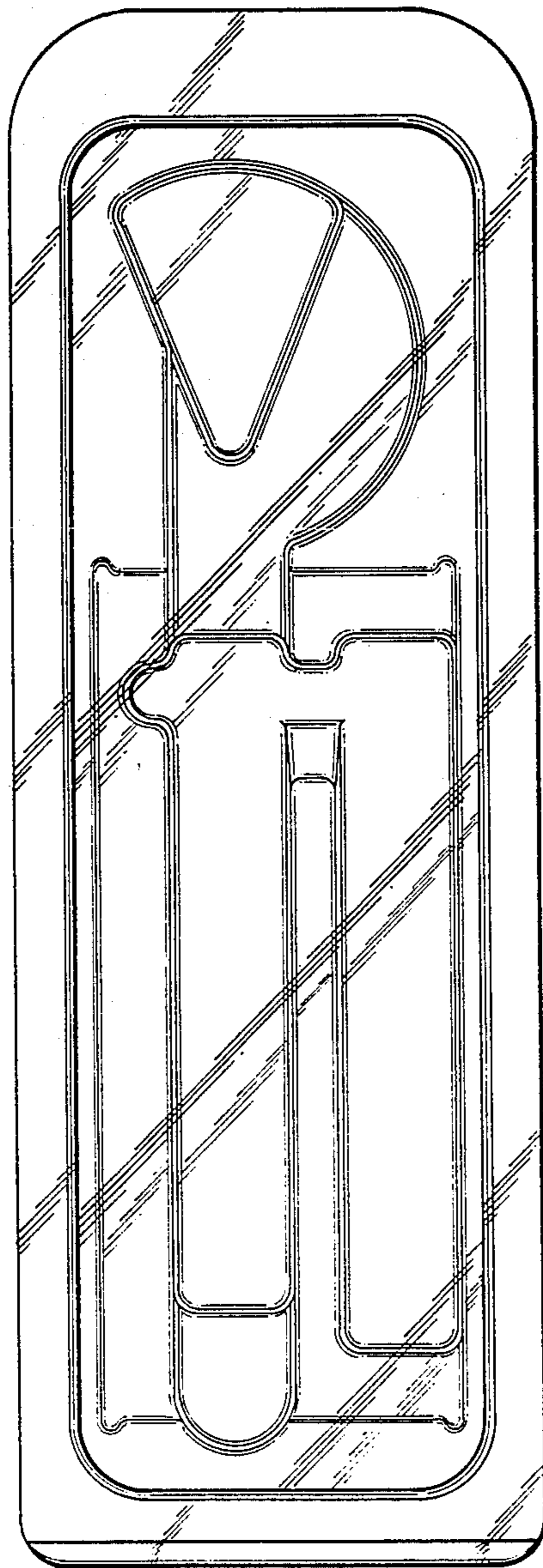


FIG-5

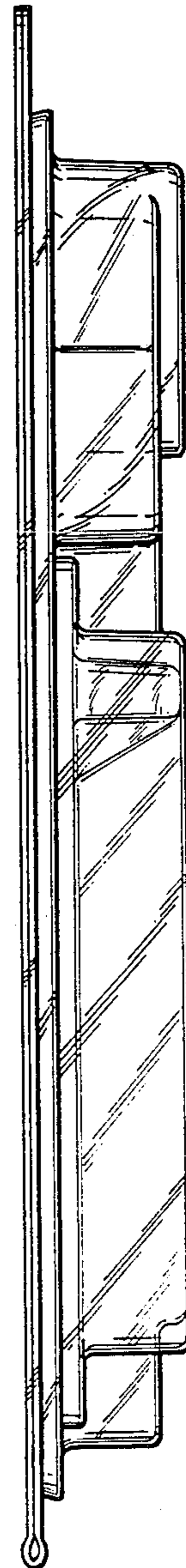


FIG-6

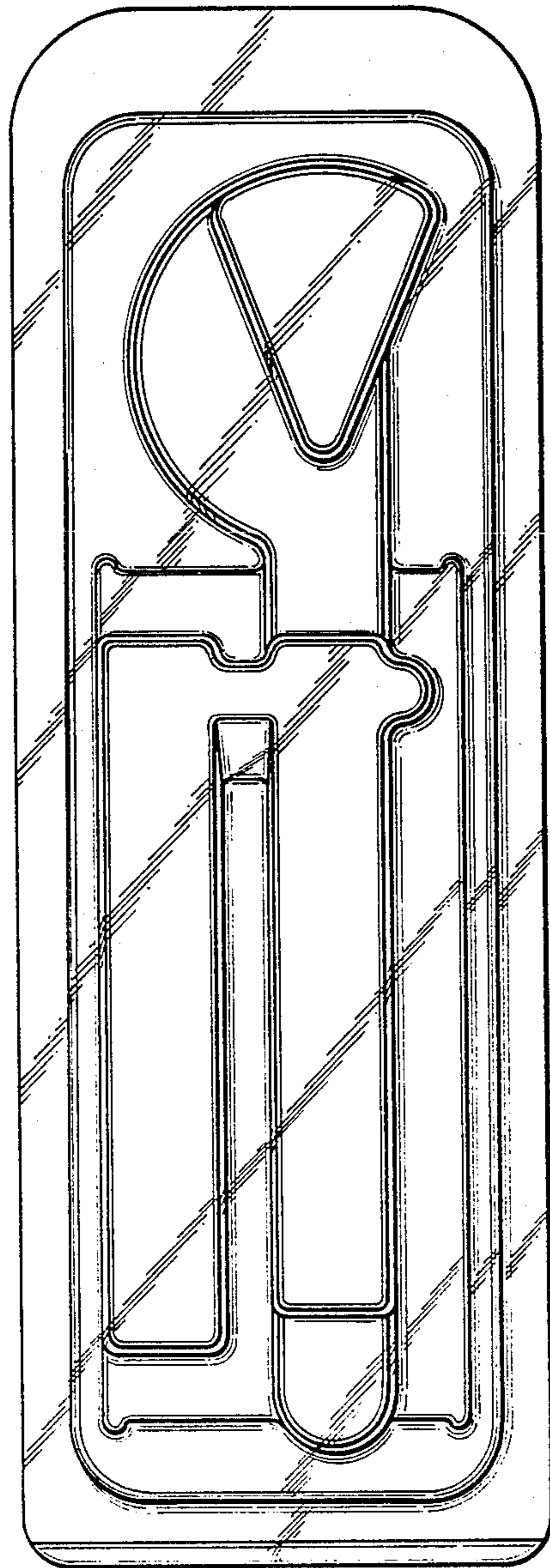


FIG-7

