

United States Patent [19]

Kmetz

[11] Patent Number: Des. 304,152

[45] Date of Patent: ** Oct. 24, 1989

[54] **CORDLESS SCREWDRIVER**

[75] Inventor: David G. Kmetz, Westborough, Mass.

[73] Assignee: The Stanley Works, New Britain, Conn.

[*] Notice: The portion of the term of this patent subsequent to Jul. 4, 2003 has been disclaimed.

[**] Term: 14 Years

[21] Appl. No.: 110,484

[22] Filed: Oct. 19, 1987

[52] U.S. Cl. D8/68

[58] Field of Search D8/61, 68, 69; 81/54, 81/57.11, 57.14, 429; 173/163, 170; 408/124, 125, 127; 310/50

[56] **References Cited**

U.S. PATENT DOCUMENTS

- D. 259,392 6/1981 Elmessaar et al. D8/68
- D. 275,444 9/1984 Totsu D8/68
- D. 275,445 9/1984 Totsu D8/68
- D. 275,728 10/1984 Totsu D8/68

- D. 296,655 7/1988 Yonegawa et al. D8/68
- 4,493,223 1/1985 Kishi et al. 173/163

OTHER PUBLICATIONS

D.I.Y. Retailing, Aug. 1988, p. 166, Makita Driver Drill.

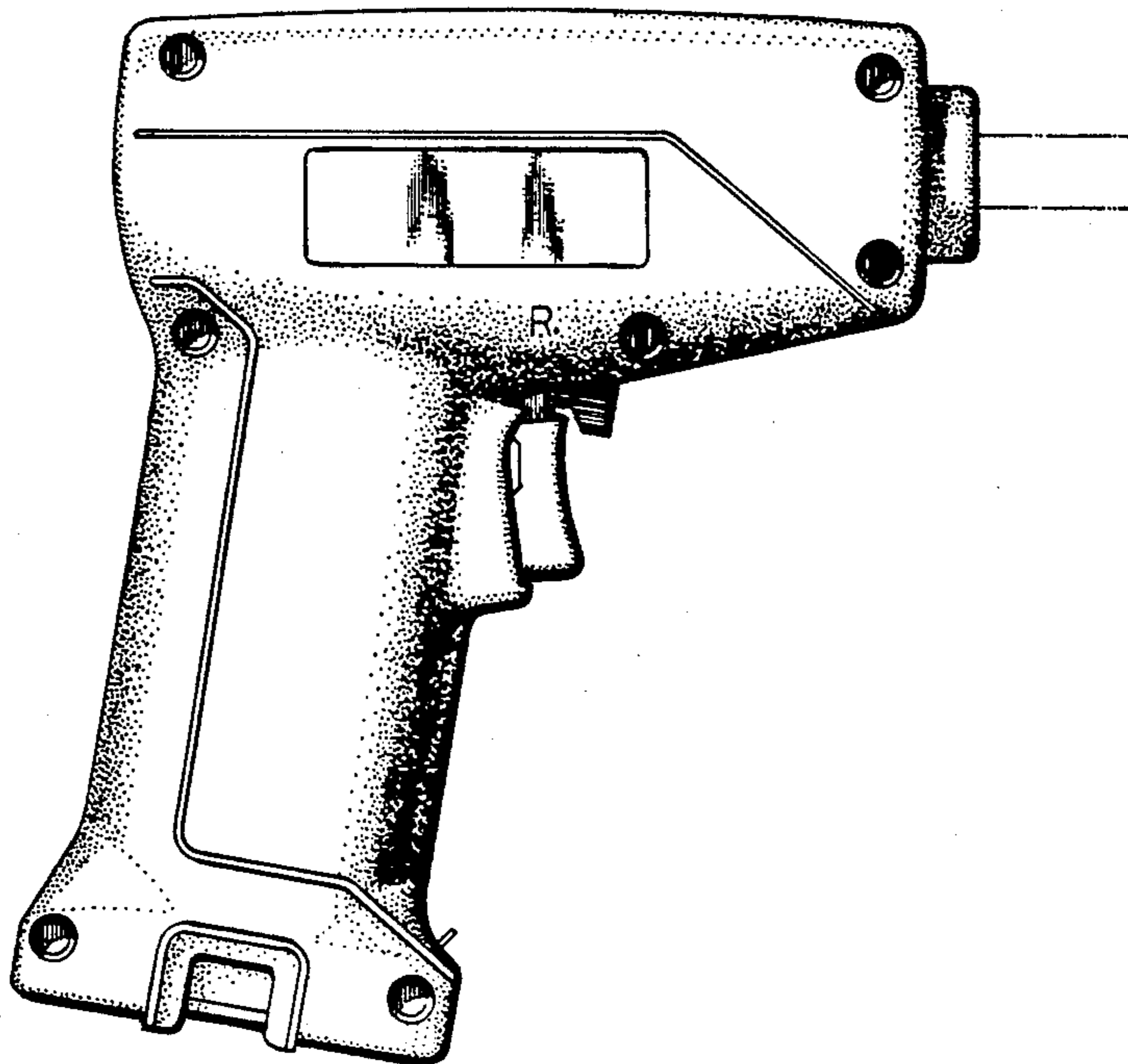
Primary Examiner—Bruce W. Dunkins
Assistant Examiner—Clare E. Heflin
Attorney, Agent, or Firm—Chilton, Alix & Van Kirk

[57] **CLAIM**

The ornamental design for a cordless screwdriver, as shown and described.

DESCRIPTION

FIG. 1 is a side elevational view of the cordless screwdriver showing my new design;
FIG. 2 is an opposite side elevational view thereof;
FIG. 3 is a front elevational view thereof;
FIG. 4 is a rear elevational view thereof;
FIG. 5 is a top plan view thereof; and
FIG. 6 is a bottom plan view thereof.
The broken line showing of the screwdriver in FIGS. 1 and 2 is for illustrative purposes only and forms no part of the claimed design.



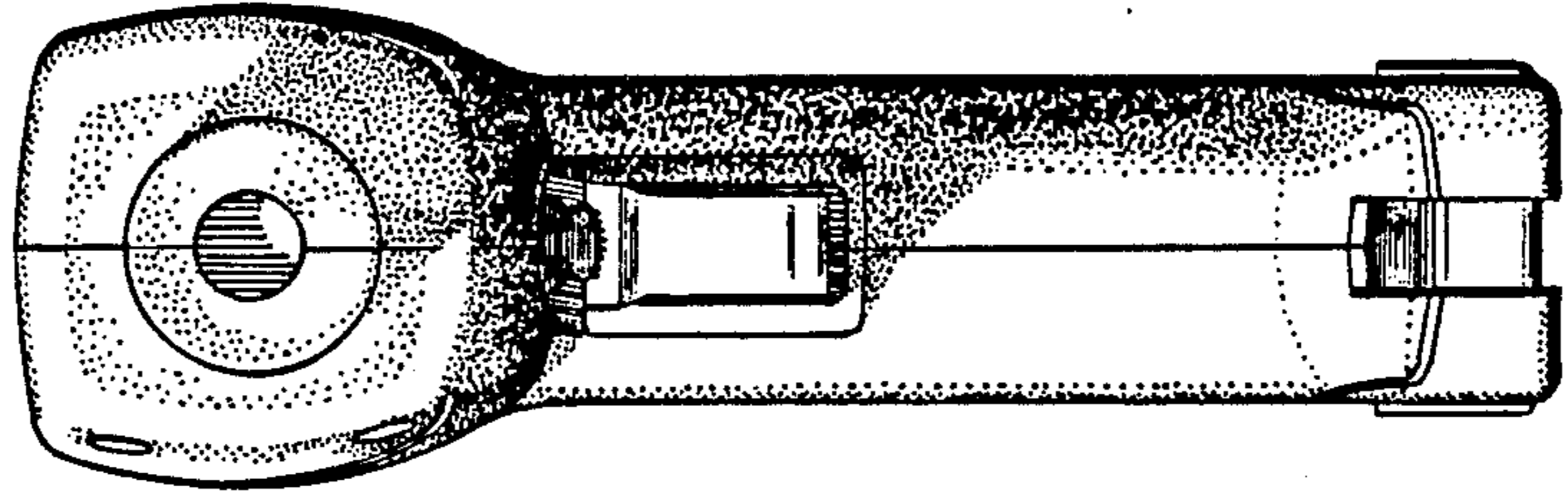


FIG. 3

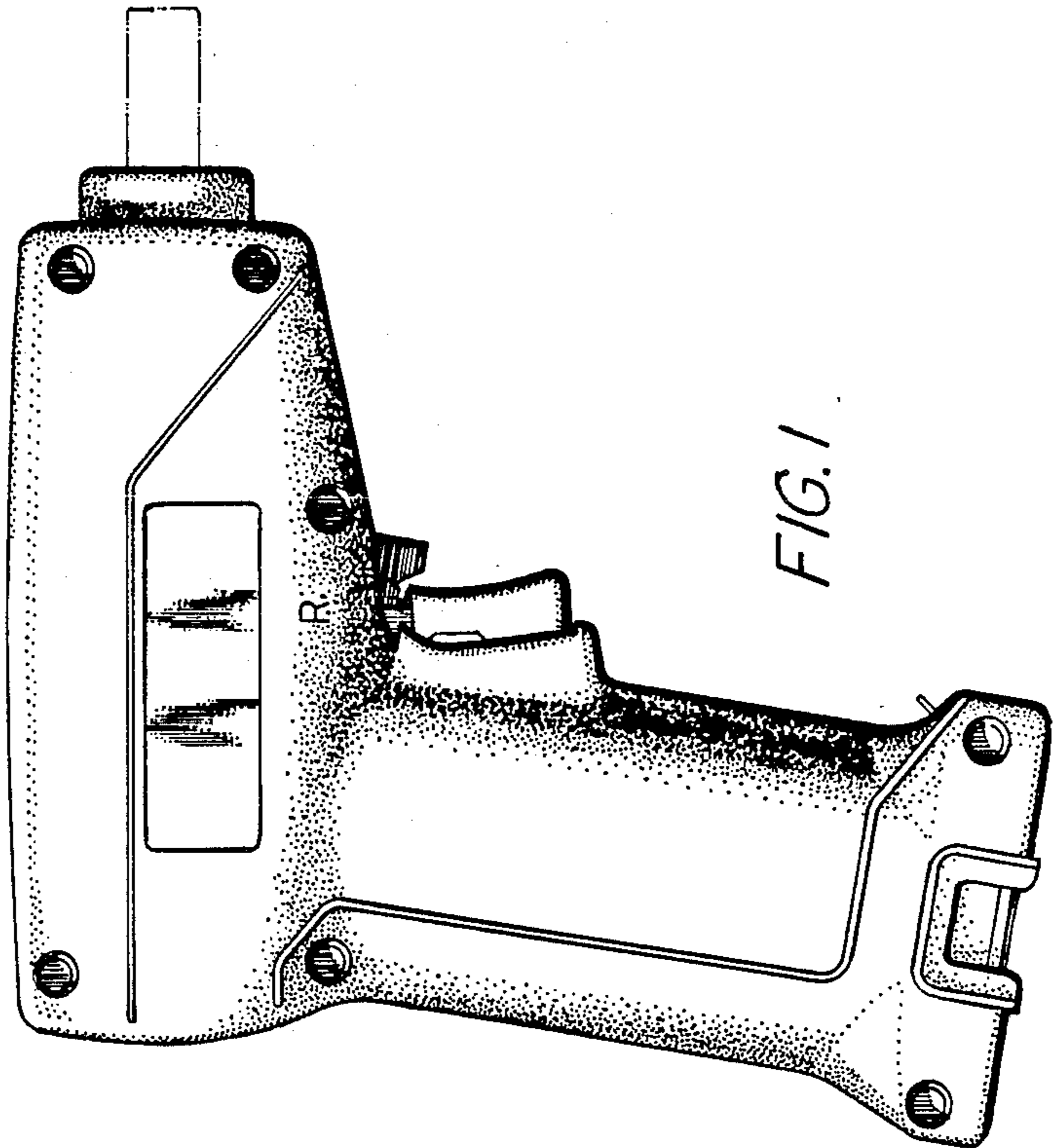


FIG. 1

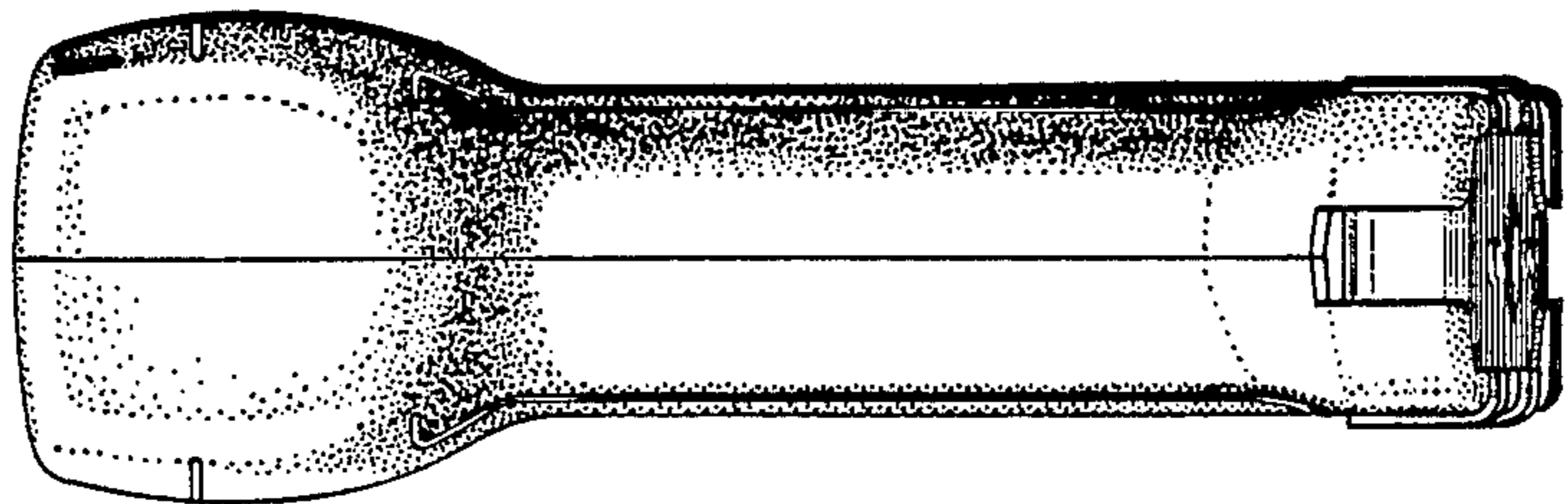


FIG. 4

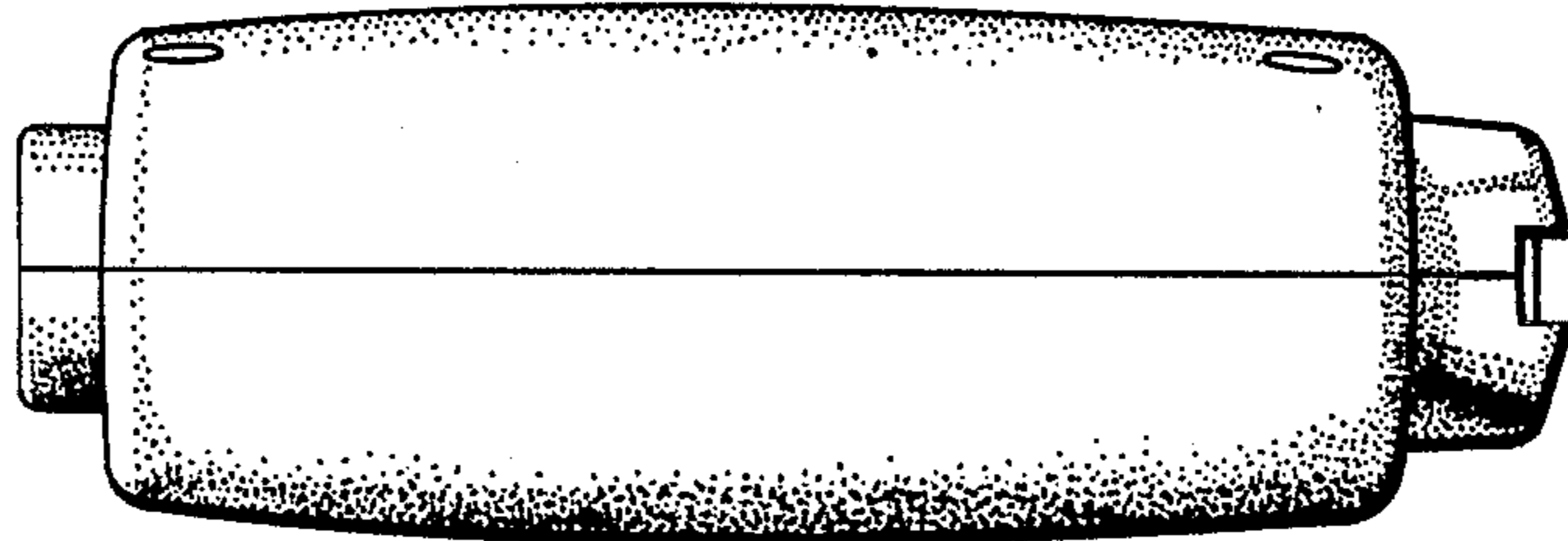


FIG. 5

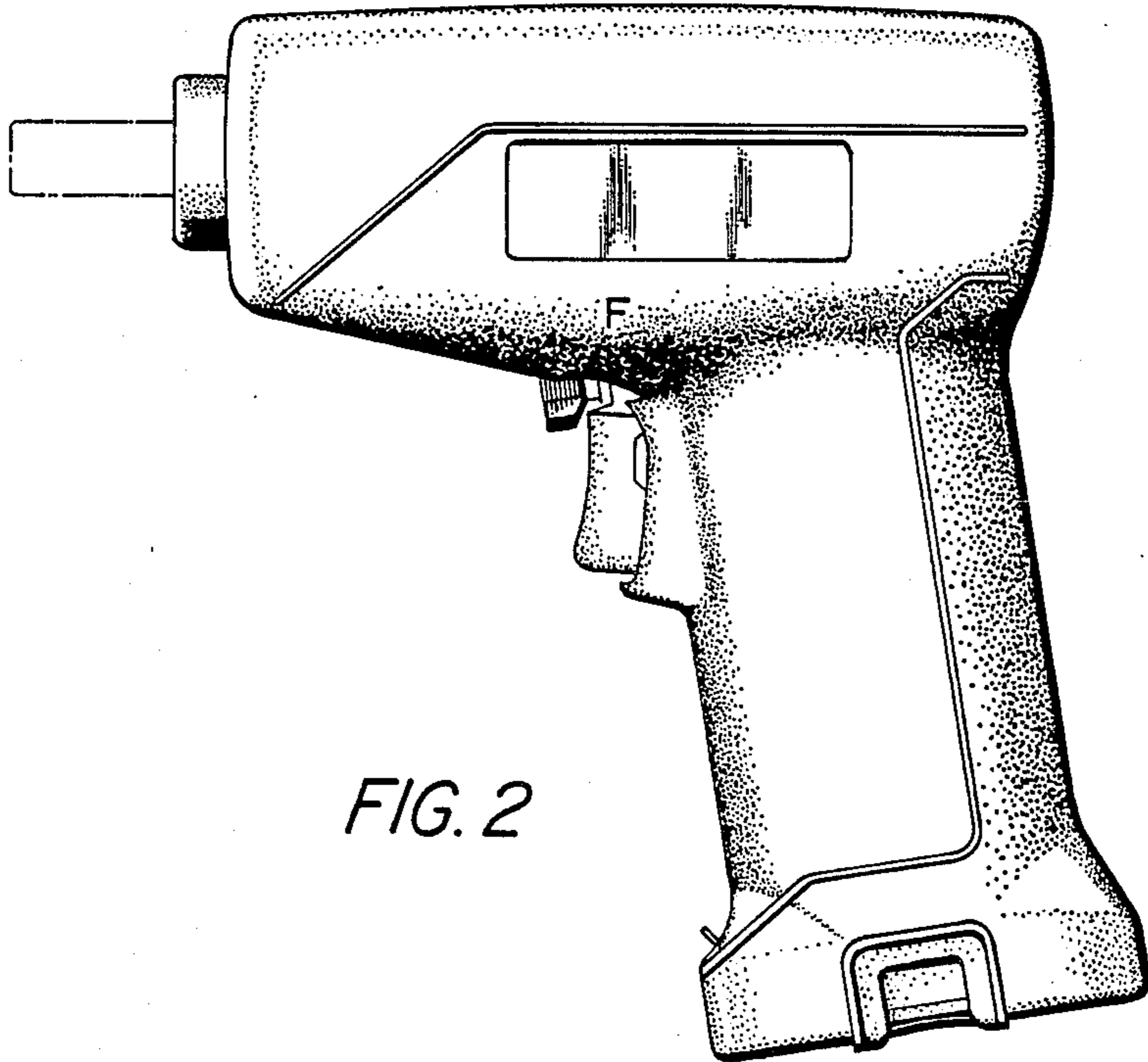


FIG. 2

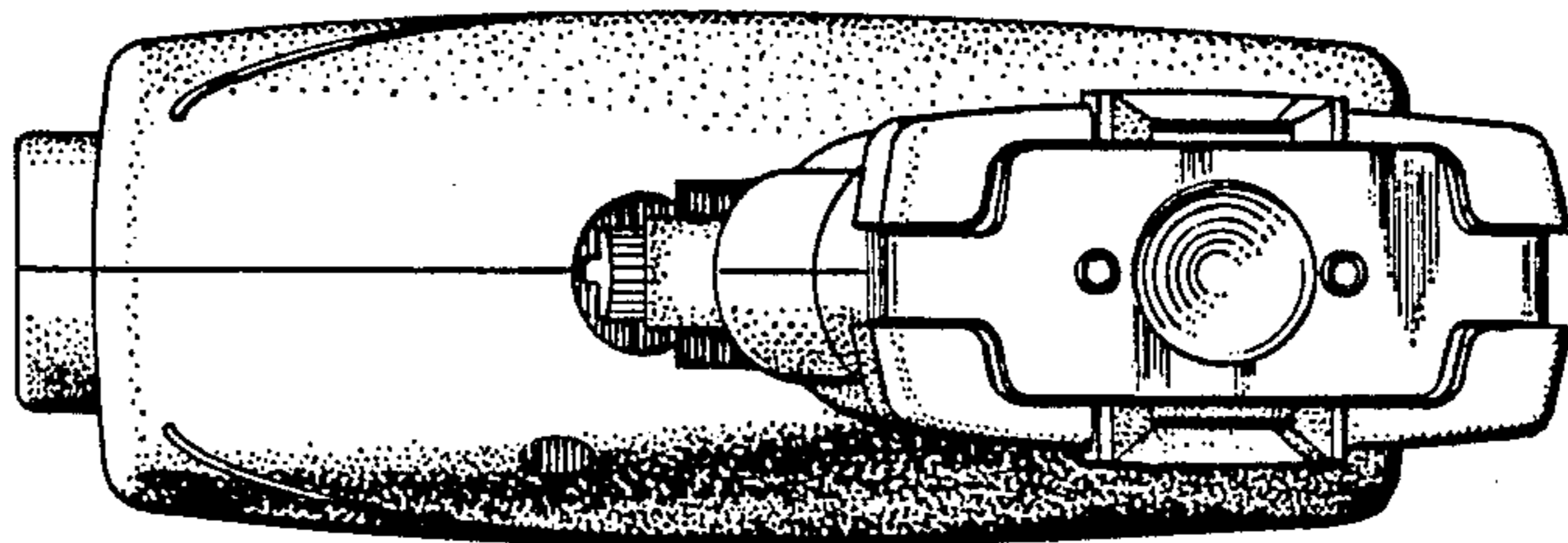


FIG. 6