

[54] MICROWAVE OVEN

D. 295,822 5/1988 Kubo et al. D7/351

[75] Inventors: Kensuke Mizuma; Masayoshi Kubo; Hisayoshi Matoba; Masuo Ichihara, all of Nara, Japan

[73] Assignee: Matsushita Electric Industrial Co., Ltd., Osaka, Japan

[**] Term: 14 Years

[21] Appl. No.: 869,070

[22] Filed: May 30, 1986

[52] U.S. Cl. D7/351

[58] Field of Search D7/348-351; 219/10.55 R-10.55 M

OTHER PUBLICATIONS

Panasonic brochure for a Microwave Oven, Model No. NE-691 (1984).

Admiral brochure for a Microwave Oven, Model No. MR 27B9 (1985).

Primary Examiner—Bruce W. Dunkins
Assistant Examiner—Ruth Takemoto
Attorney, Agent, or Firm—Sughrue, Mion, Zinn, Macpeak & Seas

[57] CLAIM

The ornamental design for a microwave oven, as shown.

DESCRIPTION

FIG. 1 is a front, top and right side perspective view of a microwave oven showing our new design;
FIG. 2 is a rear, bottom and left side perspective view thereof;
FIG. 3 is a top plan view thereof;
FIG. 4 is a right side elevational view thereof;
FIG. 5 is an enlarged perspective view of the circled area of FIG. 1 labeled "5"; and
FIG. 6 is an enlarged perspective view of the circled area of FIG. 1 labeled "6".

[56] References Cited

U.S. PATENT DOCUMENTS

- D. 247,542 3/1978 Kojima et al. D7/351
- D. 262,088 12/1981 Yamamura et al. D7/351
- D. 268,320 3/1983 Yamamura et al. D7/351
- D. 287,925 1/1987 Kubo et al. D7/351
- D. 290,805 7/1987 Kubo et al. D7/351
- D. 291,048 7/1987 Kubo et al. D7/351
- D. 294,326 2/1988 Suganoya et al. D7/351
- D. 295,358 4/1988 Kubo et al. D7/351
- D. 295,487 5/1988 Kubo et al. D7/351

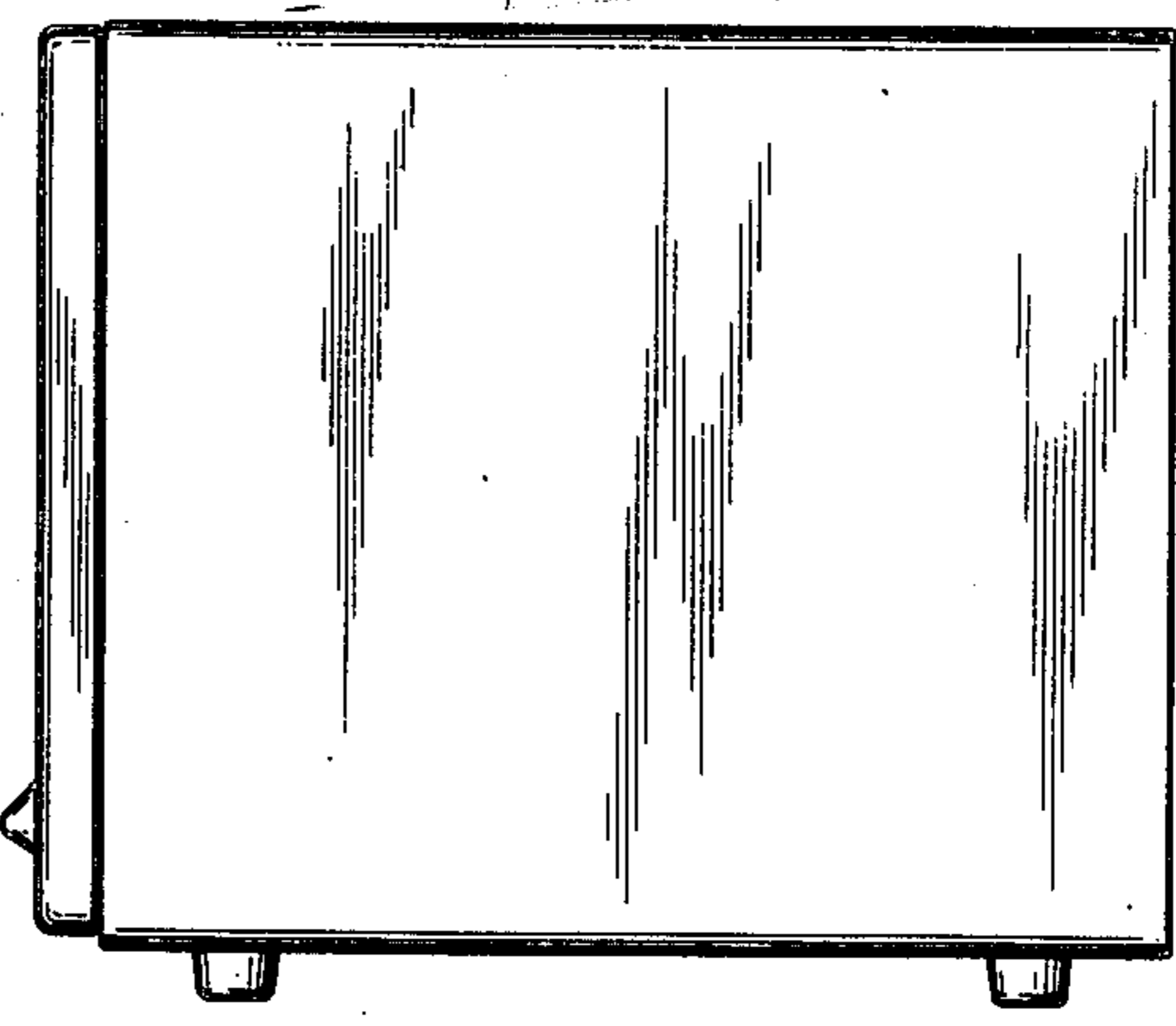
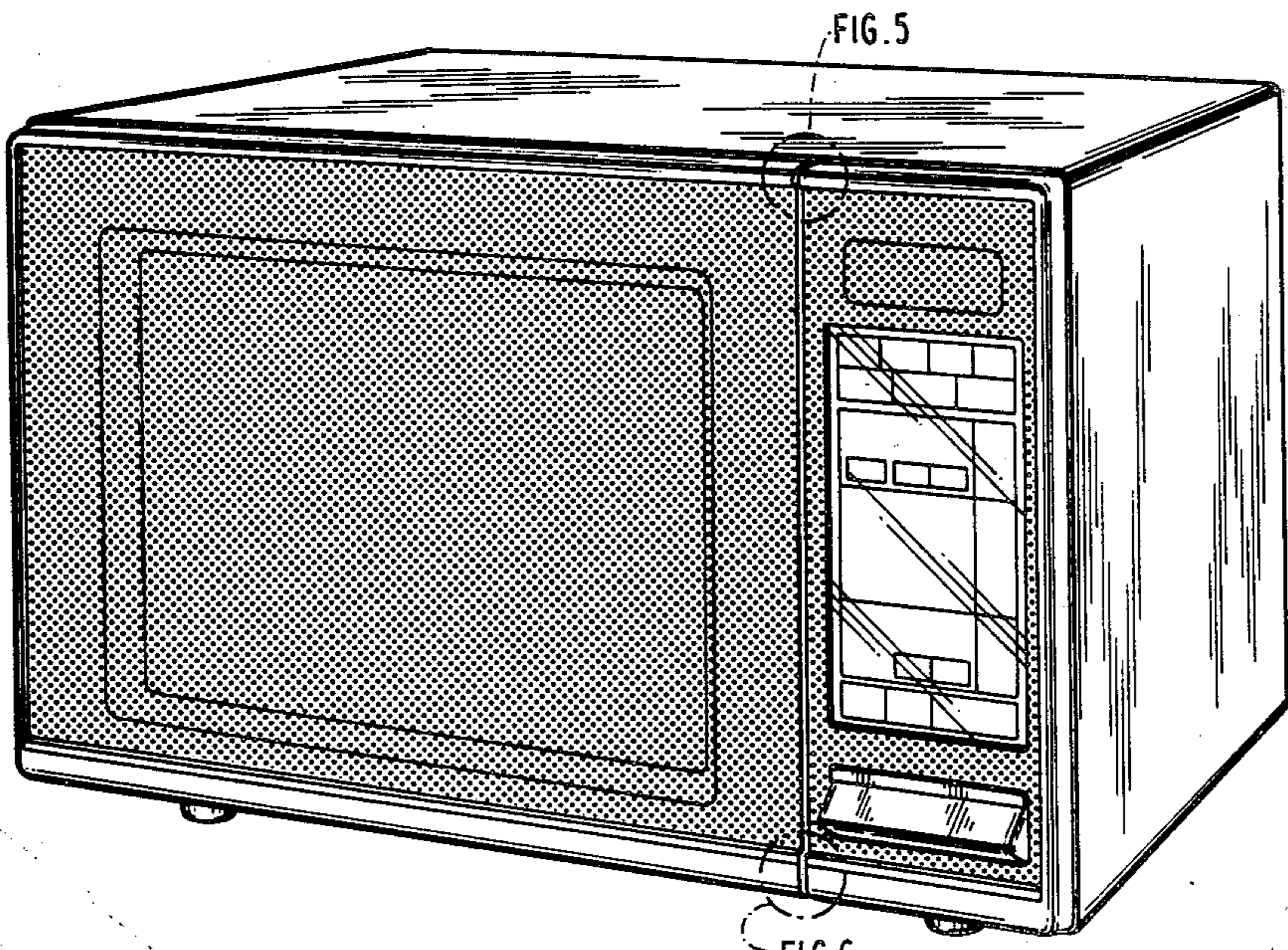


FIG. 1

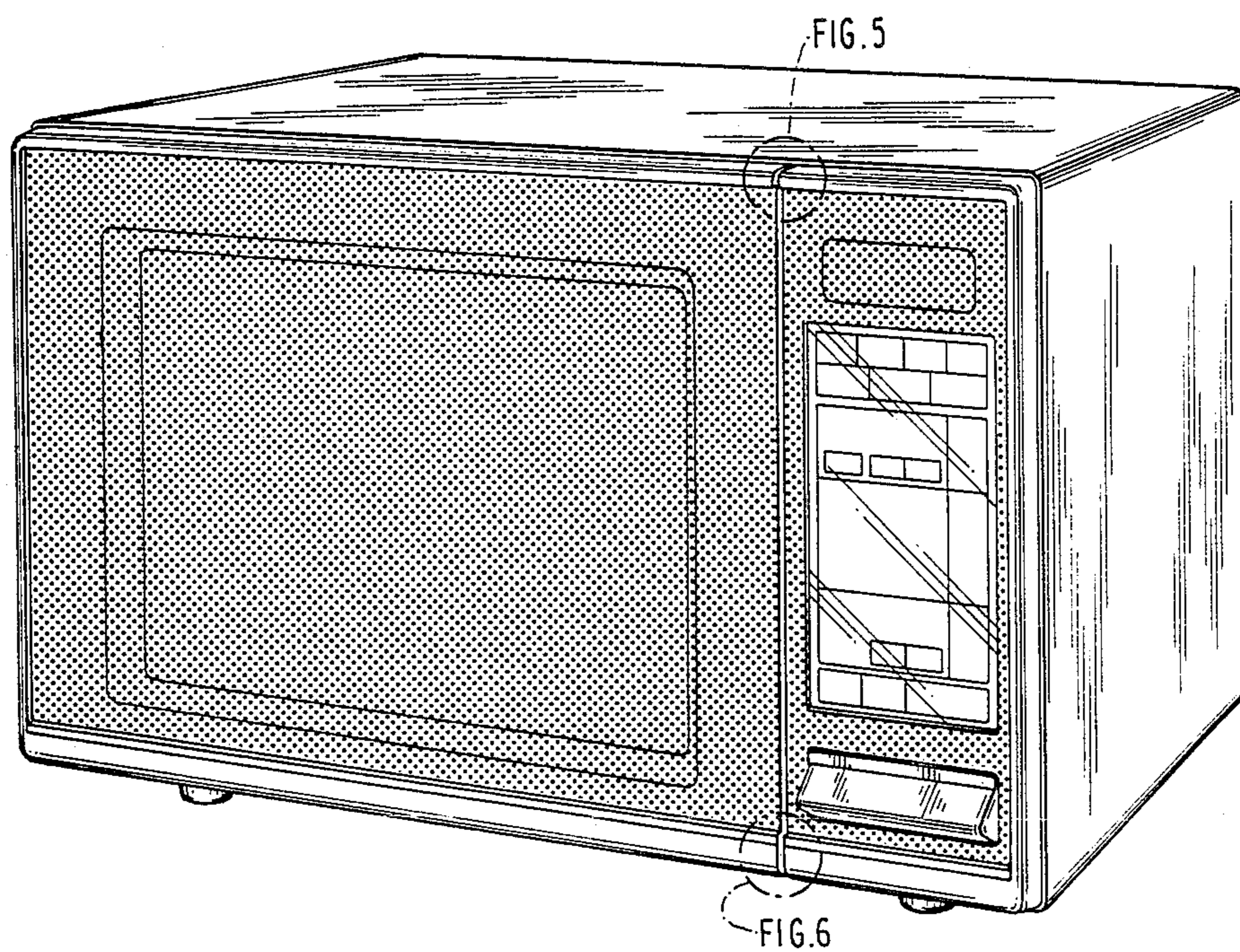


FIG. 2

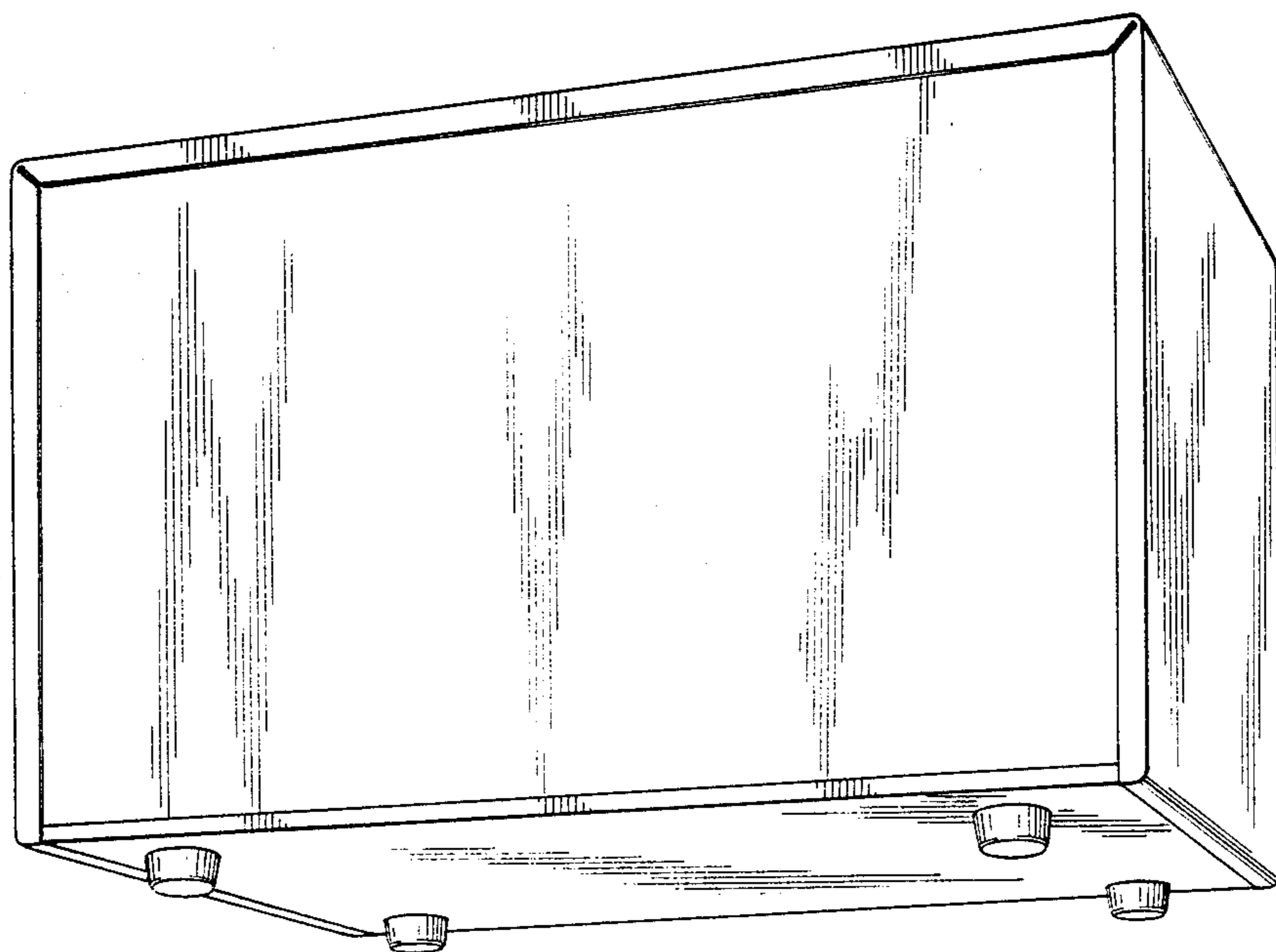


FIG. 3

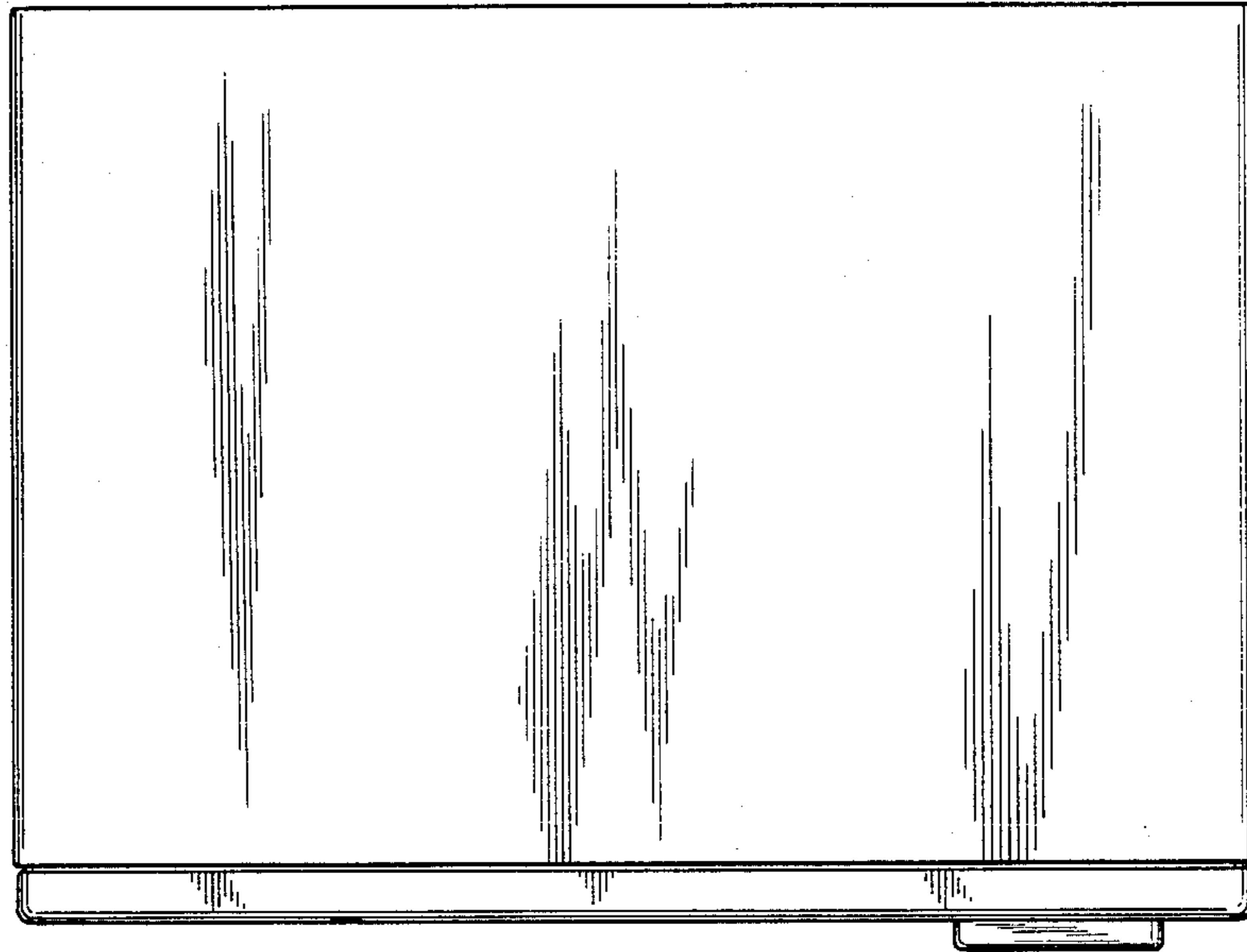


FIG. 4

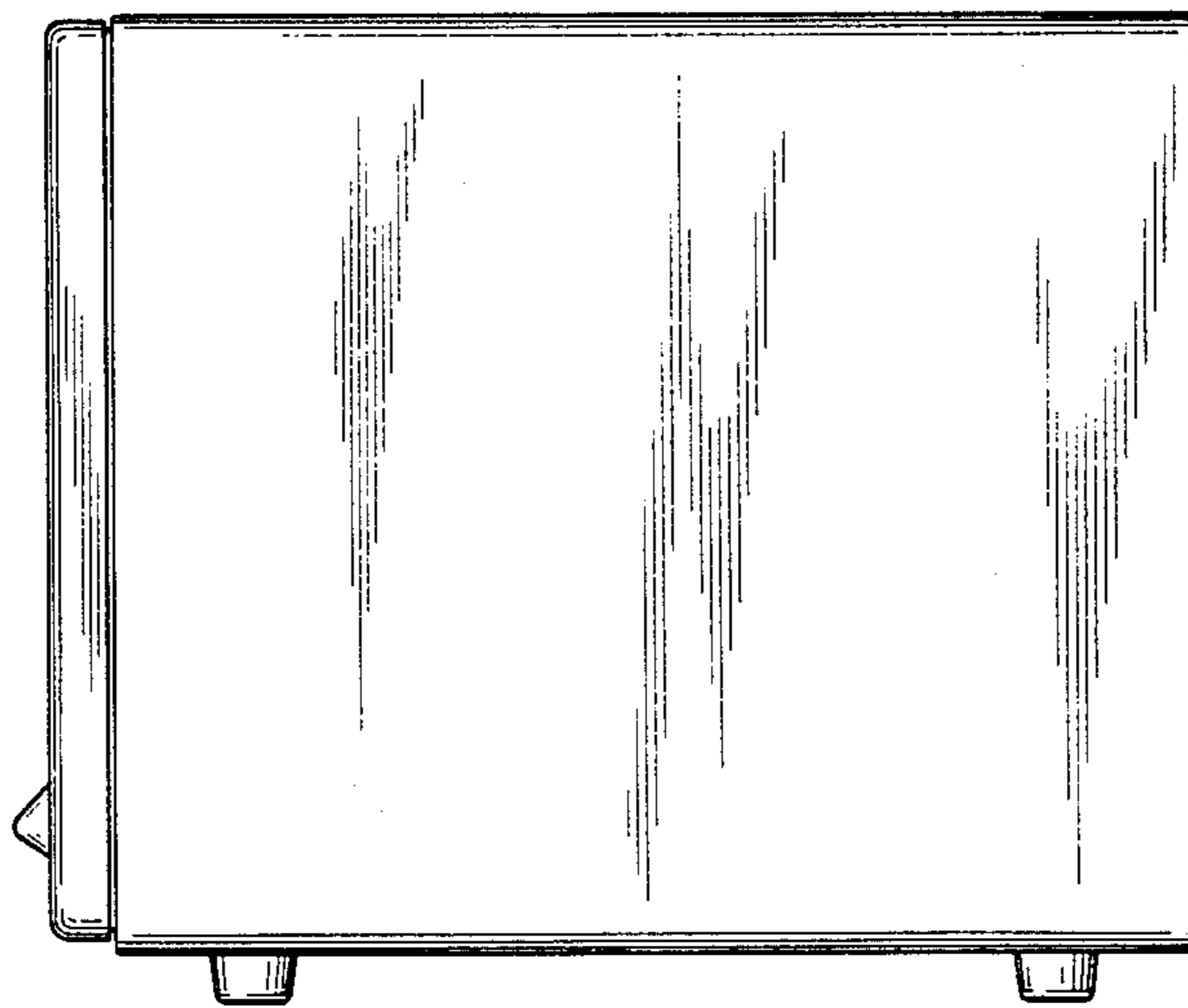


FIG. 5

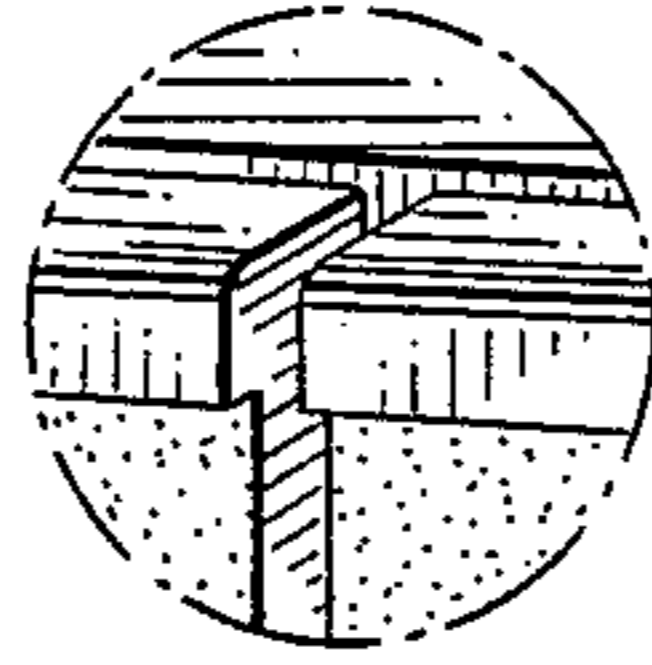


FIG. 6

