

United States Patent [19]
Gecchelin

[11] **Patent Number: Des. 304,145**

[45] **Date of Patent: ** Oct. 24, 1989**

[54] **SPOON**

[75] **Inventor: Bruno Gecchelin, Milan, Italy**

[73] **Assignee: Fratelli Guzzini S.p.A., Recanati, Italy**

[**] **Term: 14 Years**

[21] **Appl. No.: 932,898**

[22] **Filed: Nov. 19, 1986**

[30] **Foreign Application Priority Data**

May 23, 1986 [IT] Italy 21970/86[U]

[52] **U.S. Cl. D7/104; D7/137**

[58] **Field of Search D7/99-106,
D7/137-138, 151; 30/142, 147, 149-150,
324-328**

[56] **References Cited**

U.S. PATENT DOCUMENTS

D. 204,153 3/1966 Tampone D7/99
D. 291,046 7/1987 Johnson D7/104 X

Primary Examiner—Bernard Ansher
Assistant Examiner—Terry A. Pfeffer
Attorney, Agent, or Firm—Hedman, Gibson, Costigan & Hoare

[57] **CLAIM**

The ornamental design for a spoon, as shown and described.

DESCRIPTION

FIG. 1 is a side elevation view of a spoon showing my new design;
FIG. 2 is a top plan view thereof;
FIG. 3 is a bottom plan view thereof;
FIG. 4 is a front elevation view thereof and
FIG. 5 is a rear elevation view thereof.

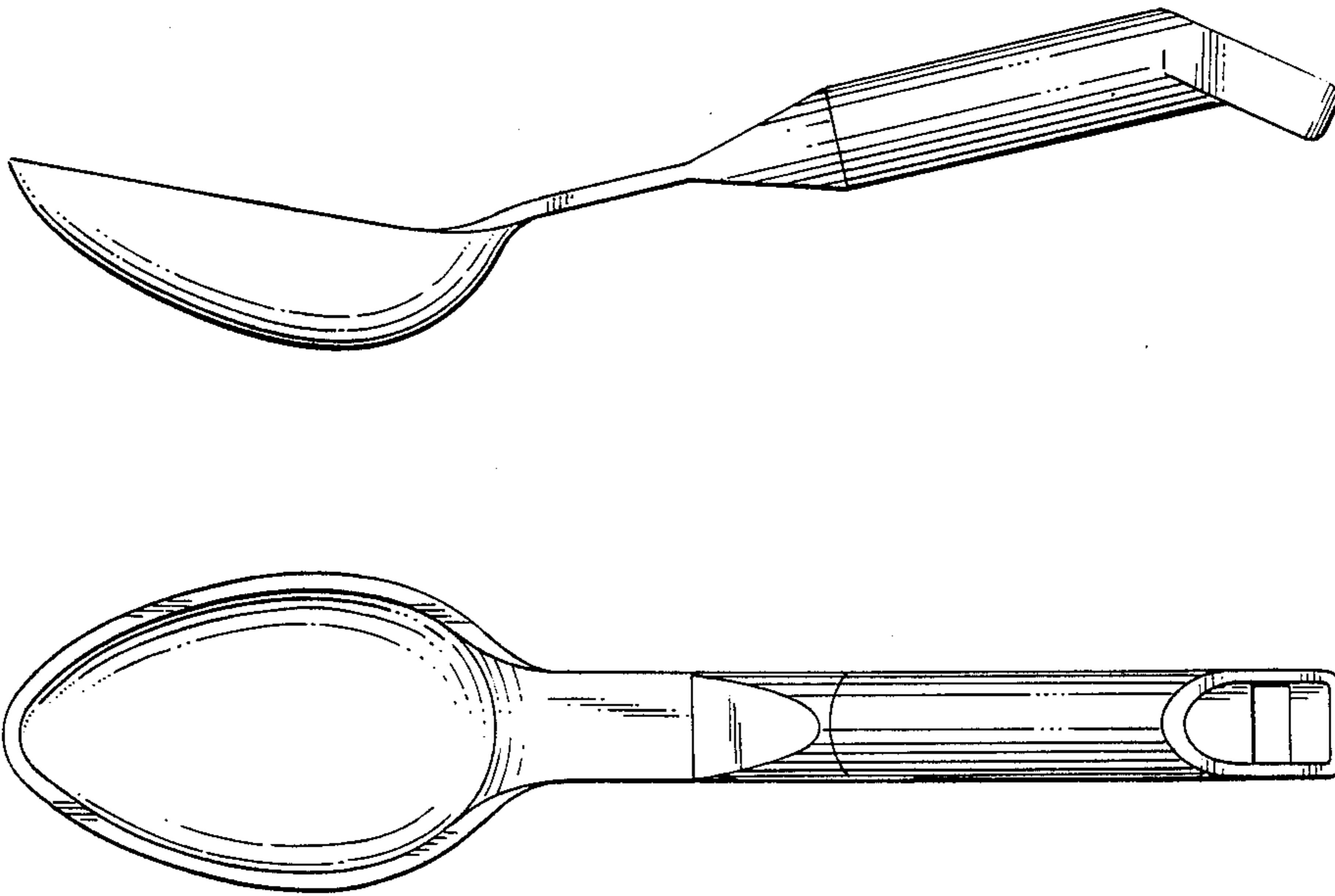


Fig.1

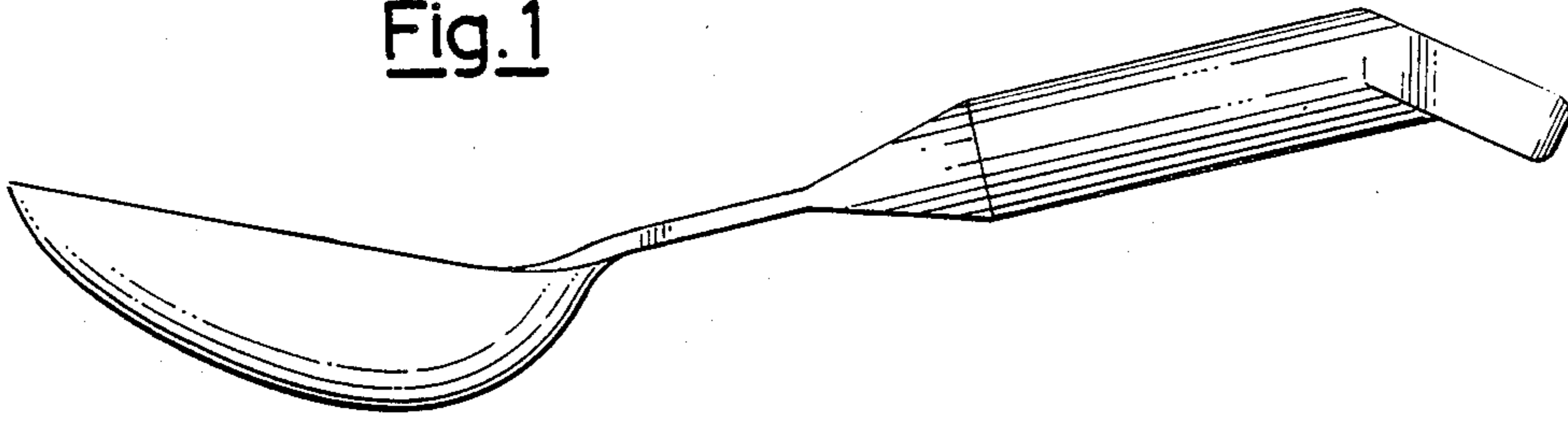


Fig.2

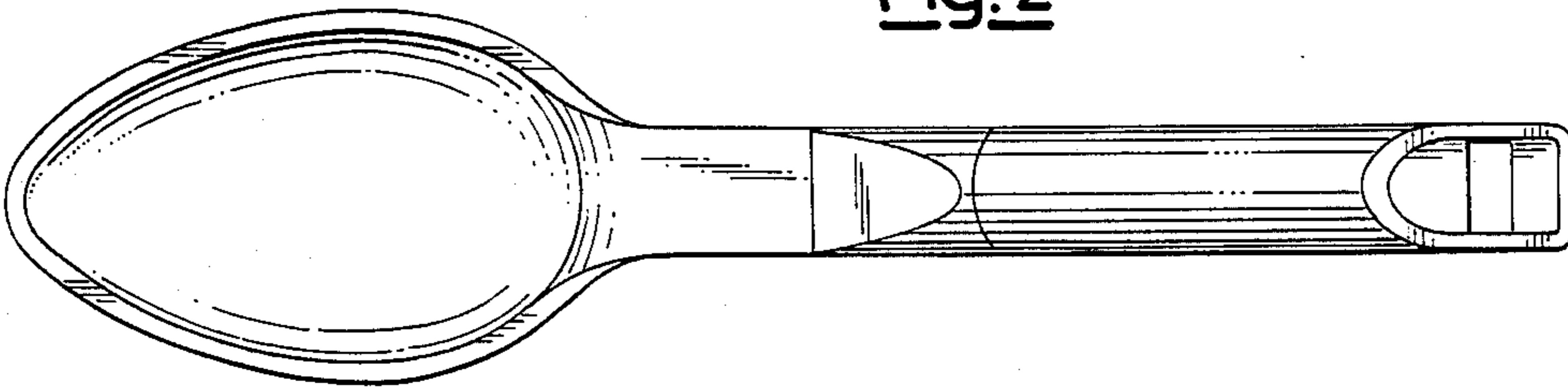


Fig.3

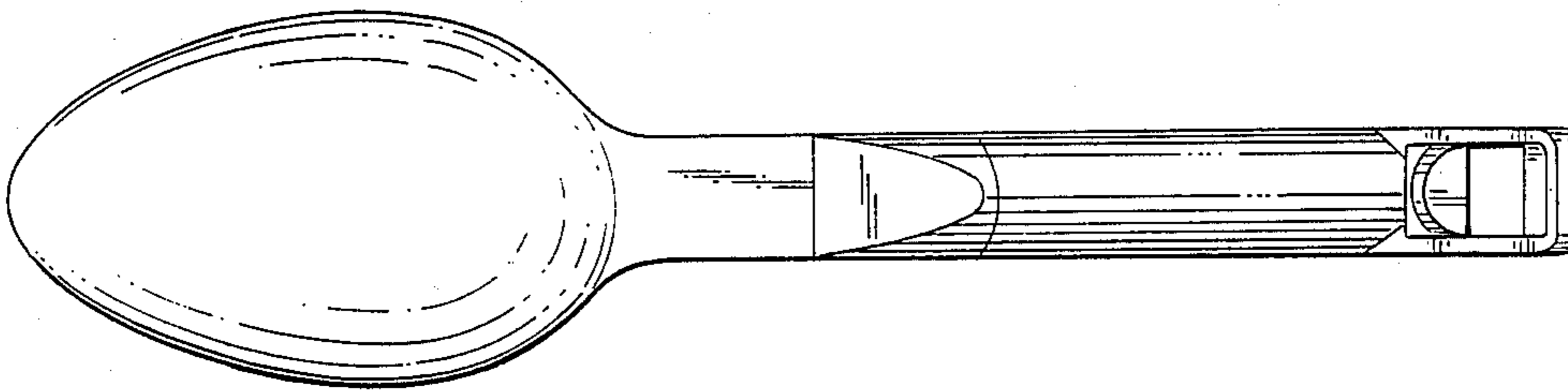


Fig.4

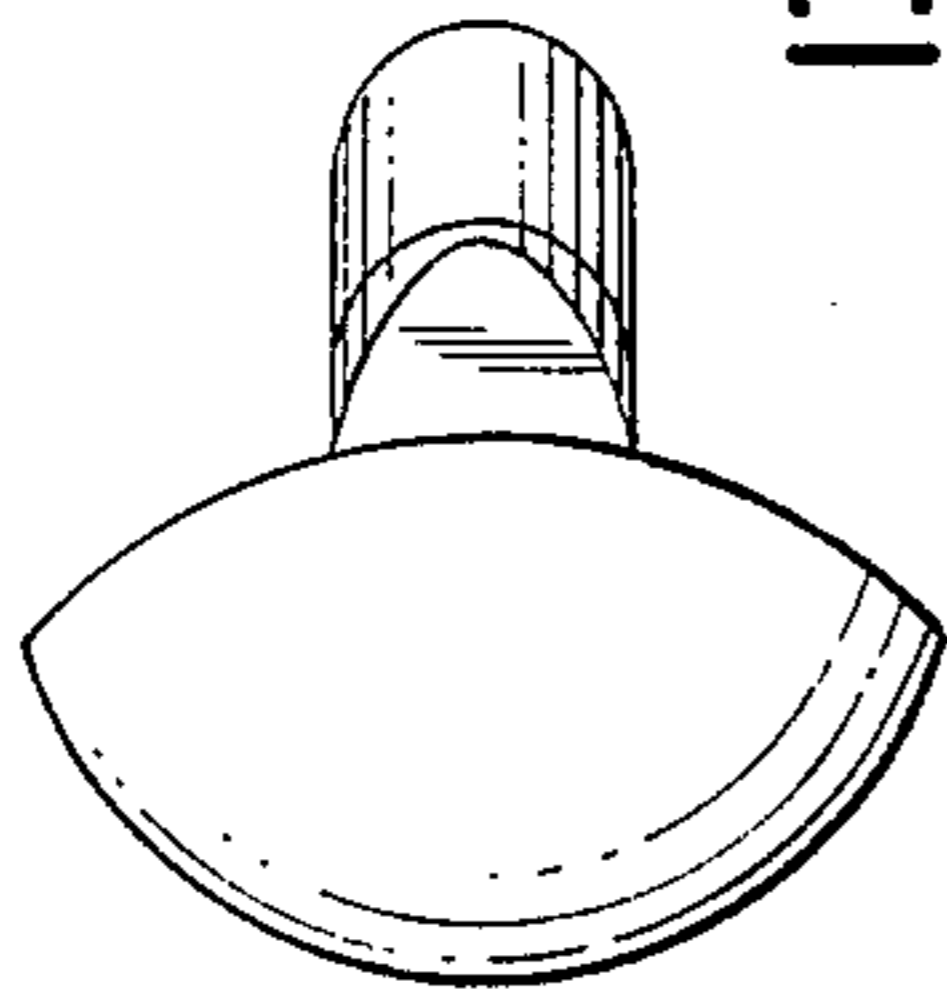


Fig.5

