

[54] **CONDIMENT MILL**

[76] Inventor: **William E. Bounds**, P.O. Box 1547,  
Torrance, Calif. 90505

[\*\*] Term: **14 Years**

[21] Appl. No.: **869,023**

[22] Filed: **May 30, 1986**

[52] U.S. Cl. .... **D7/53**

[58] Field of Search ..... **D7/52-58;**  
**222/142.1-142.9; 241/168, 169, 169.1; D9/366,**  
**359, 418, 432**

[56] **References Cited**

**U.S. PATENT DOCUMENTS**

- D. 285,037 8/1986 Bounds ..... D7/53
- D. 289,486 4/1987 Bounds ..... D7/53
- 4,709,865 12/1987 Bounds ..... 241/169.1

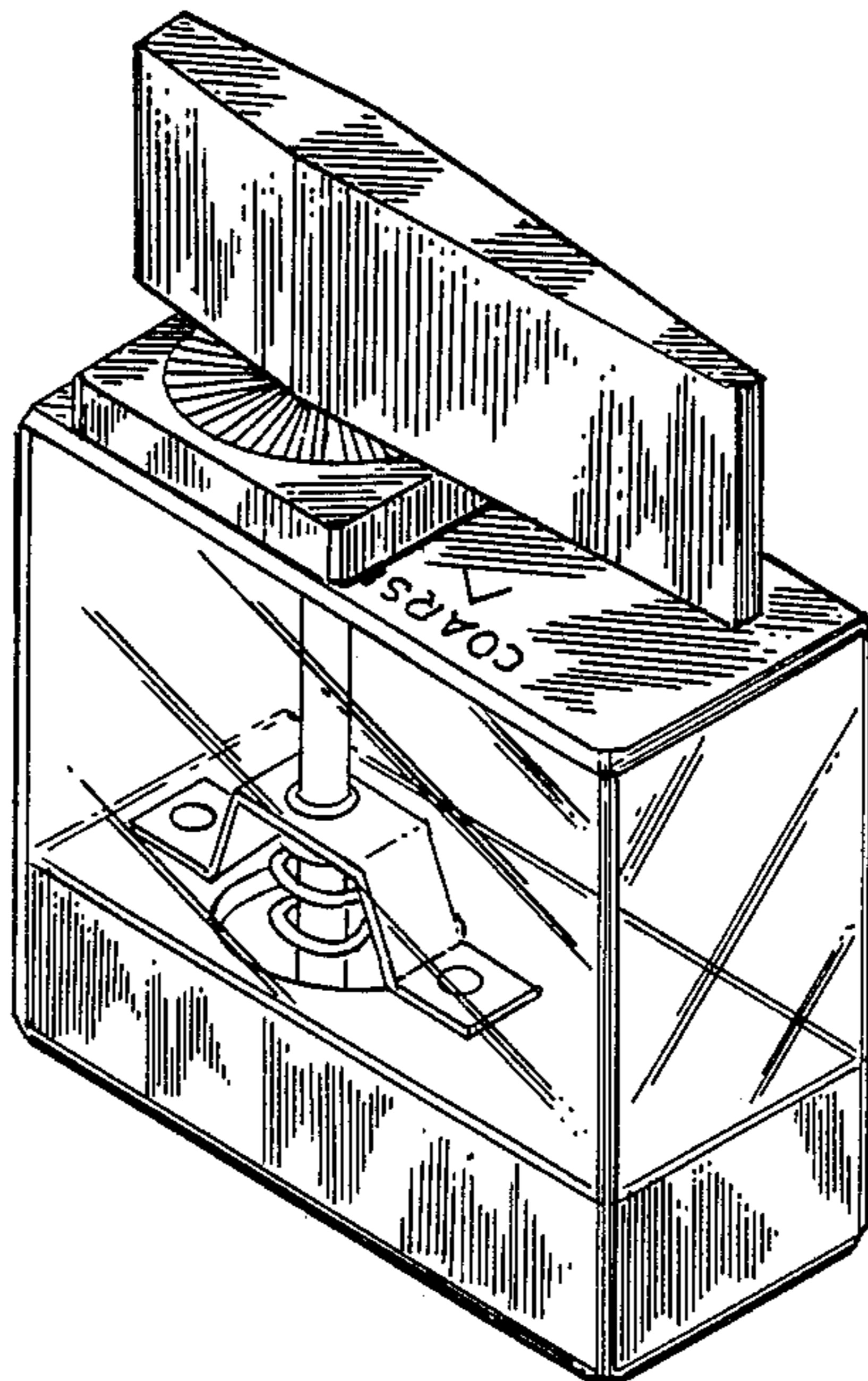
*Primary Examiner*—Bernard Ansher  
*Assistant Examiner*—Terry A. Pfeffer  
*Attorney, Agent, or Firm*—Edward A. Sokolski

[57] **CLAIM**

The ornamental design for a condiment mill, as shown and described.

**DESCRIPTION**

FIG. 1 is a top plan view of a condiment mill showing my new design;  
FIG. 2 is a right side elevational view thereof;  
FIG. 3 is a front elevational view thereof;  
FIG. 4 is a rear elevational view thereof;  
FIG. 5 is a bottom plan view thereof; and  
FIG. 6 is a perspective view thereof.  
The side opposite to that shown in FIG. 2 is the mirror image thereof.



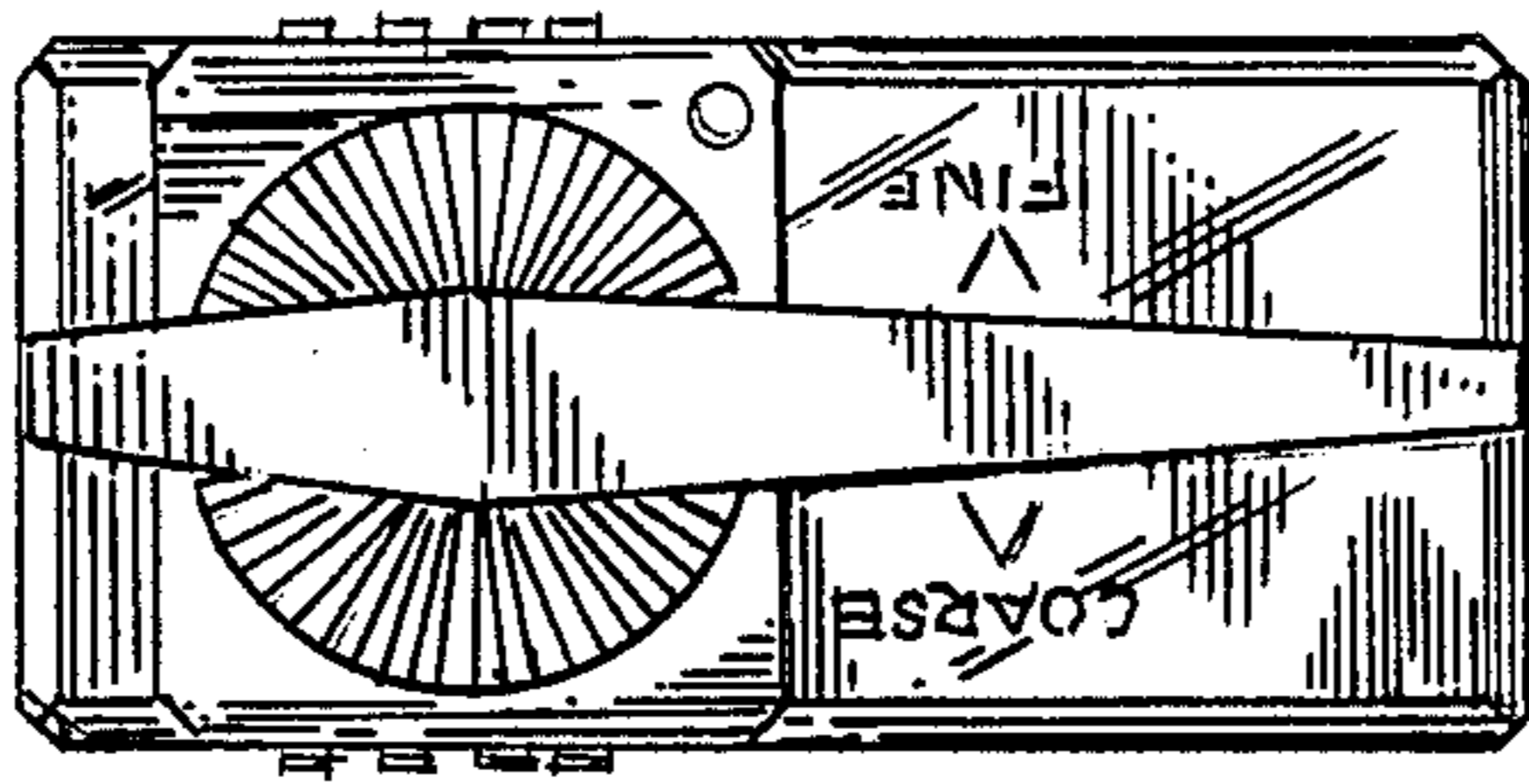


Fig. 1

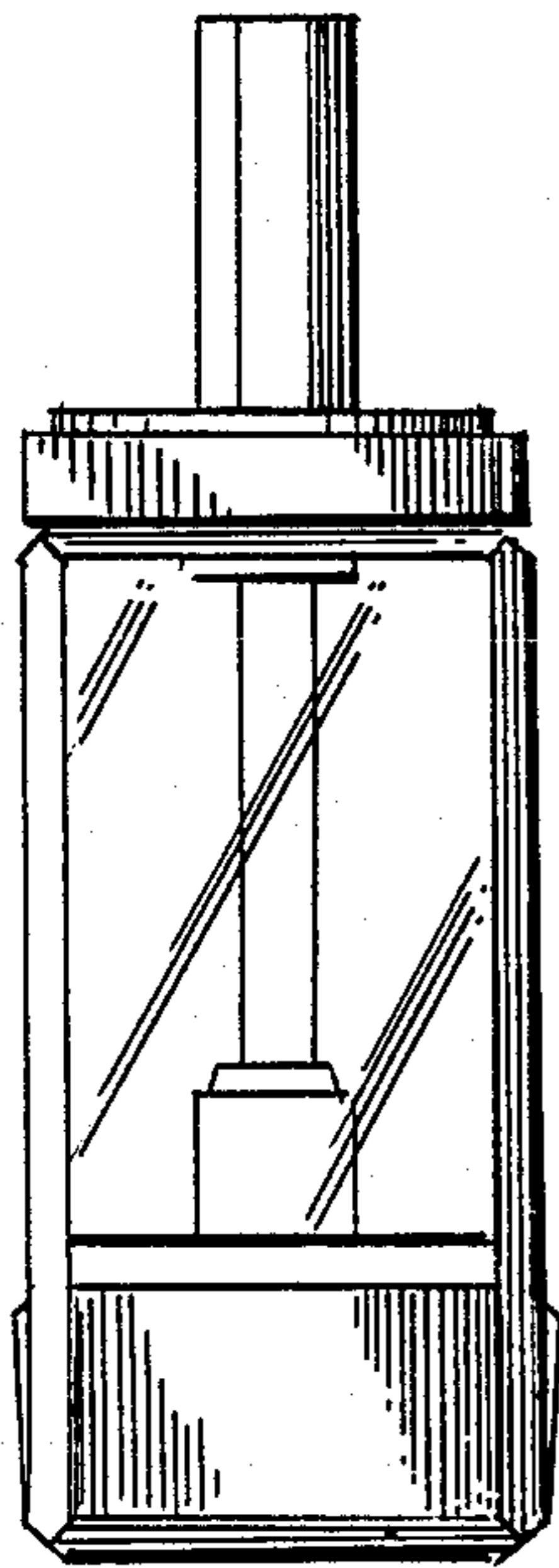


Fig. 3

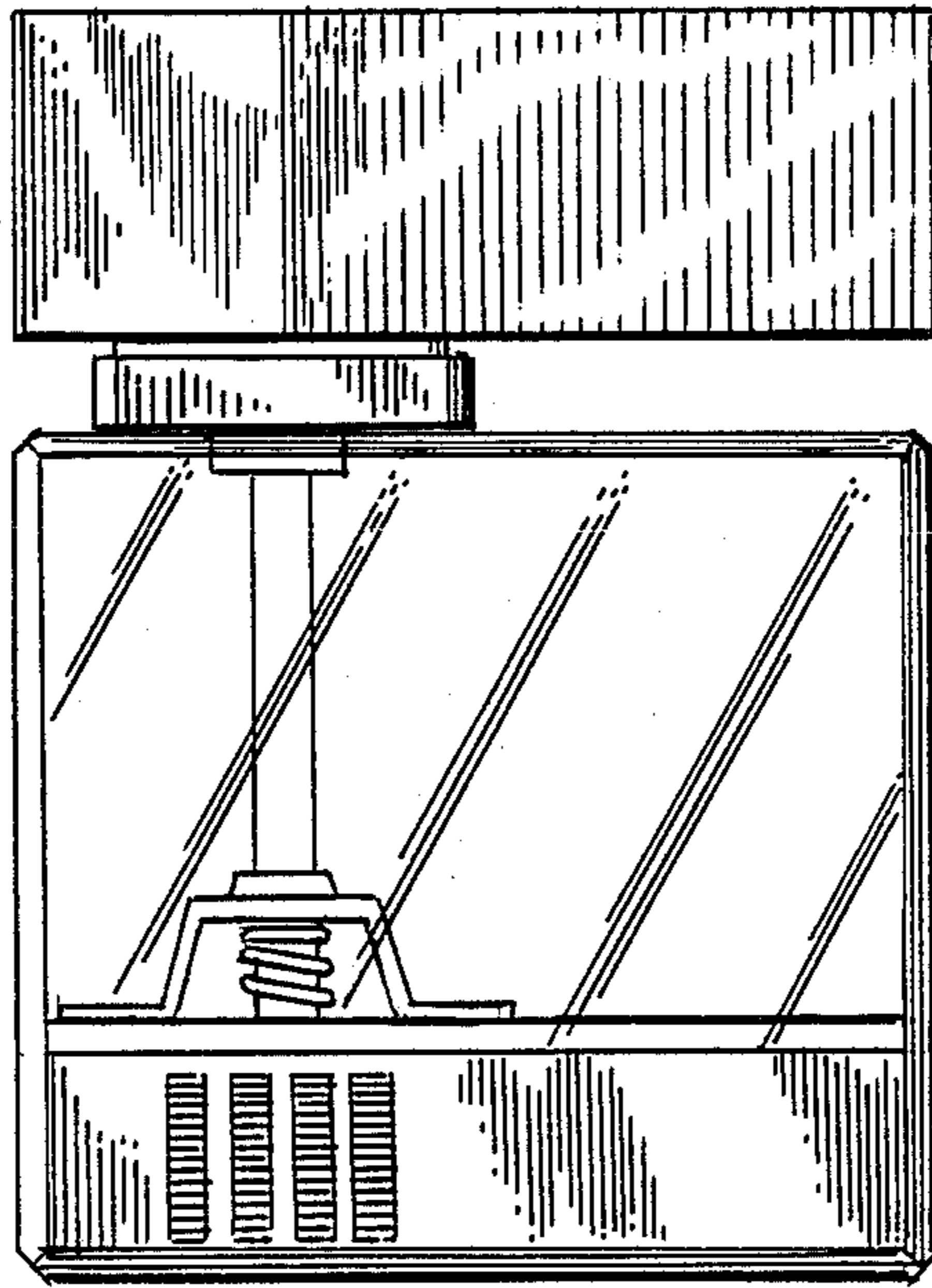


Fig. 2

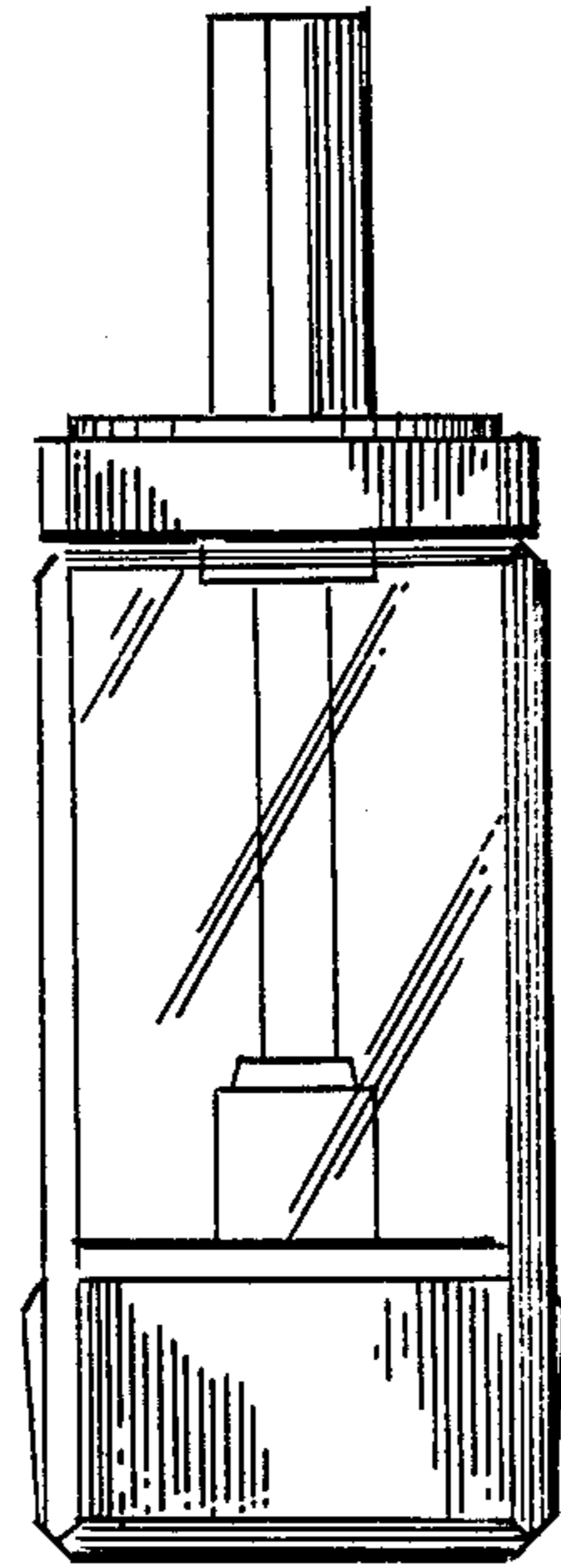


Fig. 4

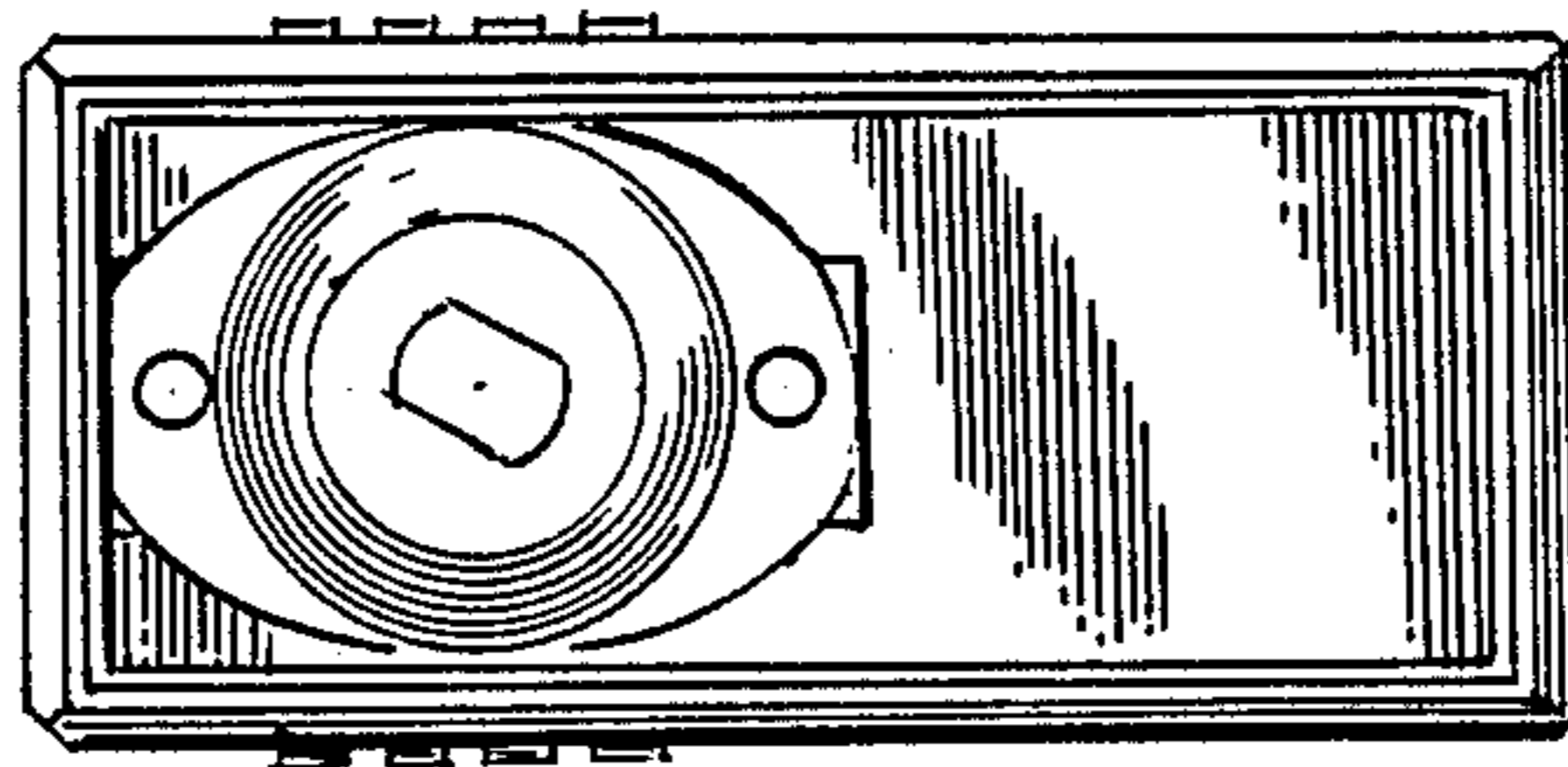


Fig. 5

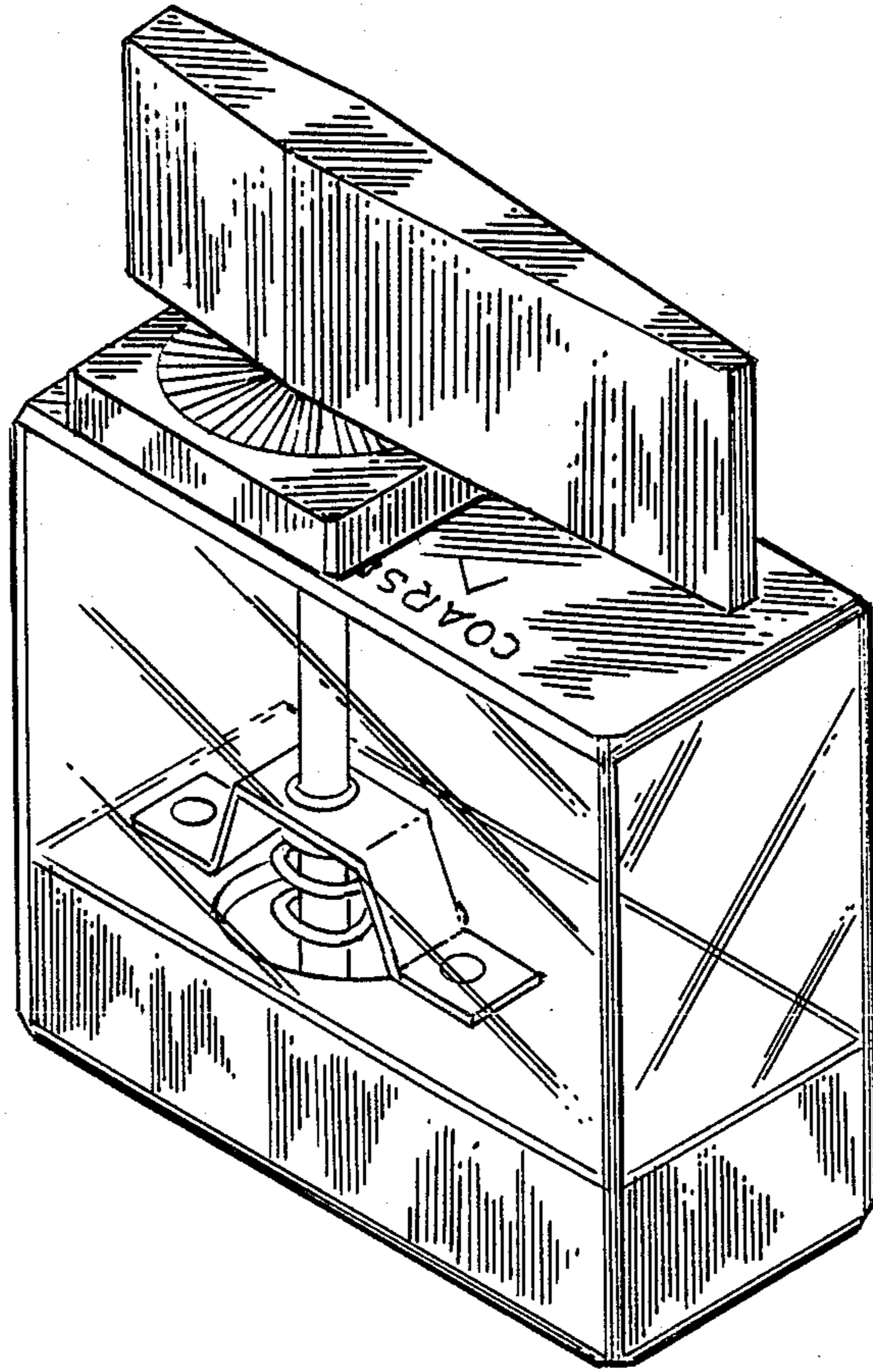


Fig. 6