

[54] **JUICE PRESSER OR SIMILAR ARTICLE**

[76] **Inventor: Yung-To Li, No. 58, Jen-Ai St.,
Eng-Hang Tsun, Yung-Kang Hsiang,
Tainan Hsien, Taiwan**

[**] **Term: 14 Years**

[21] **Appl. No.: 51,813**

[22] **Filed: May 19, 1987**

[30] **Foreign Application Priority Data**

Mar. 3, 1987 [TW] Taiwan 76301191
[52] **U.S. Cl. D7/49**
[58] **Field of Search D7/48-49,
D7/372-374; 99/495, 501-506; 100/213**

[56] **References Cited**

U.S. PATENT DOCUMENTS

2,591,162 4/1952 Kircher 100/213 X
2,624,271 1/1953 Johnson 100/213

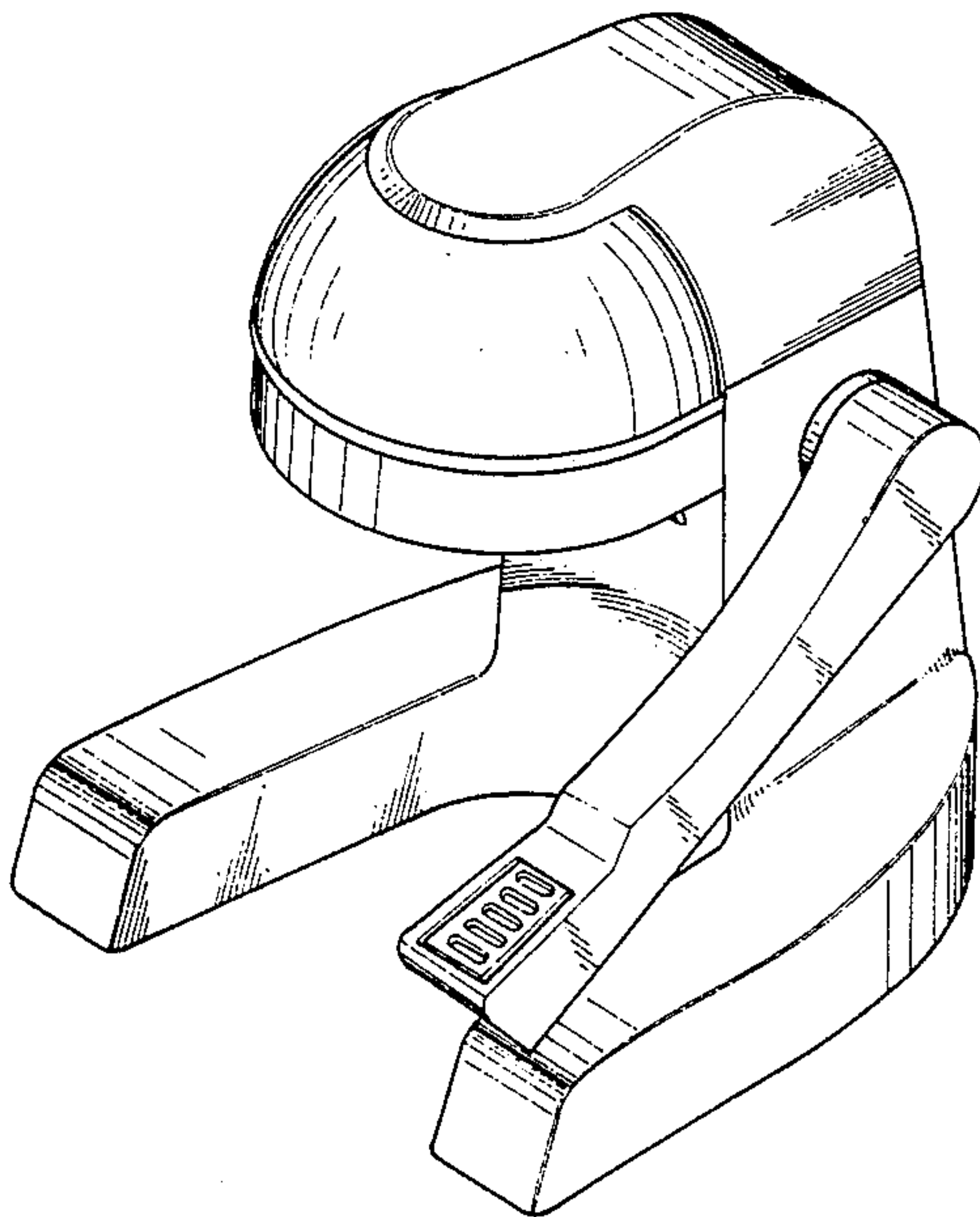
Primary Examiner—Bernard Ansher
Assistant Examiner—Terry A. Pfeffer
Attorney, Agent, or Firm—Ladas & Parry

[57] **CLAIM**

The ornamental design for juice presser or similar article, as shown and described.

DESCRIPTION

FIG. 1 is a perspective view of juice presser or similar article showing my new design;
FIG. 2 is a front elevational view thereof;
FIG. 3 is a rear elevational view thereof;
FIG. 4 is a left side view thereof;
FIG. 5 is a right side view thereof;
FIG. 6 is a top plan view thereof; and
FIG. 7 is a bottom plan view thereof.



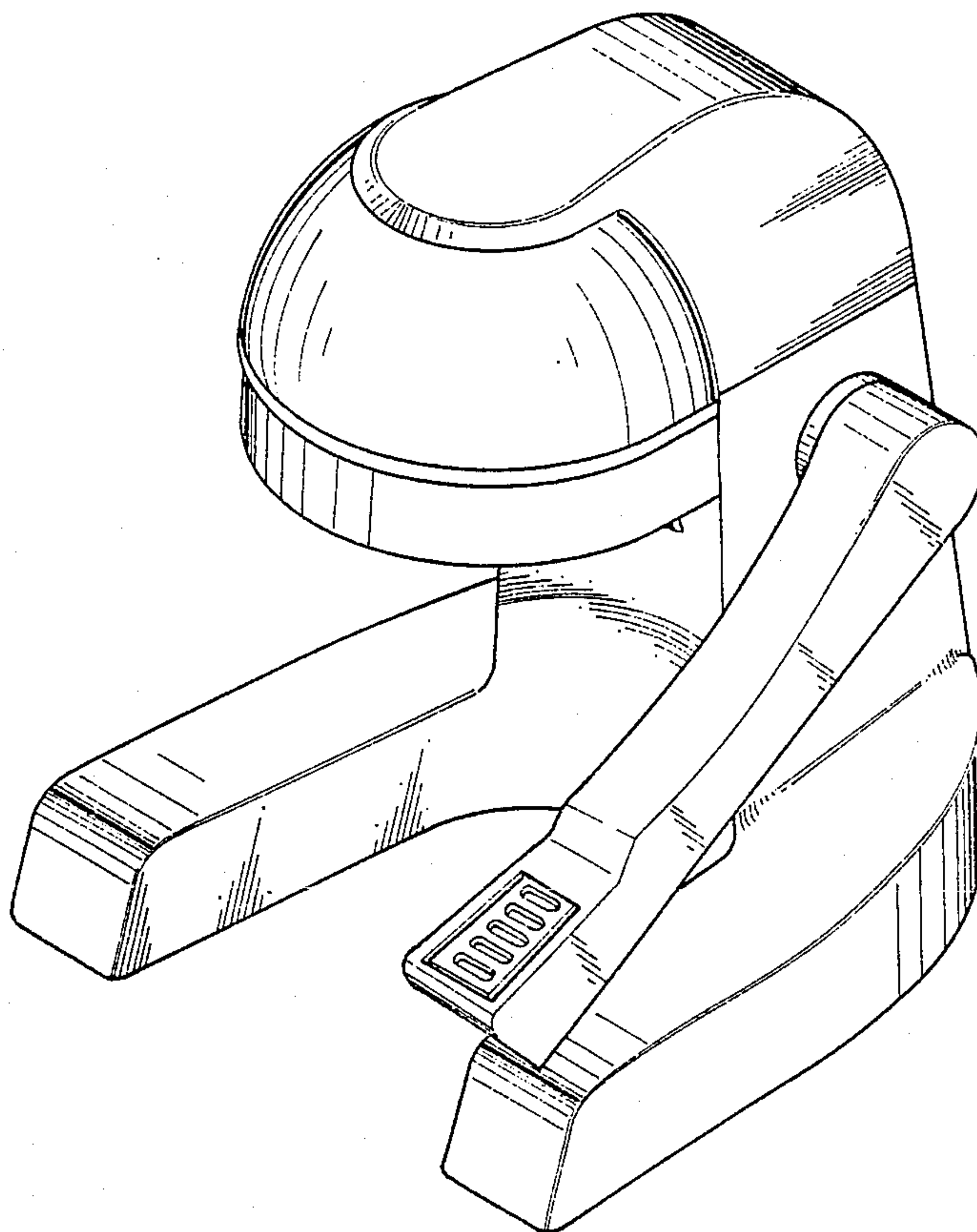


FIG. 1

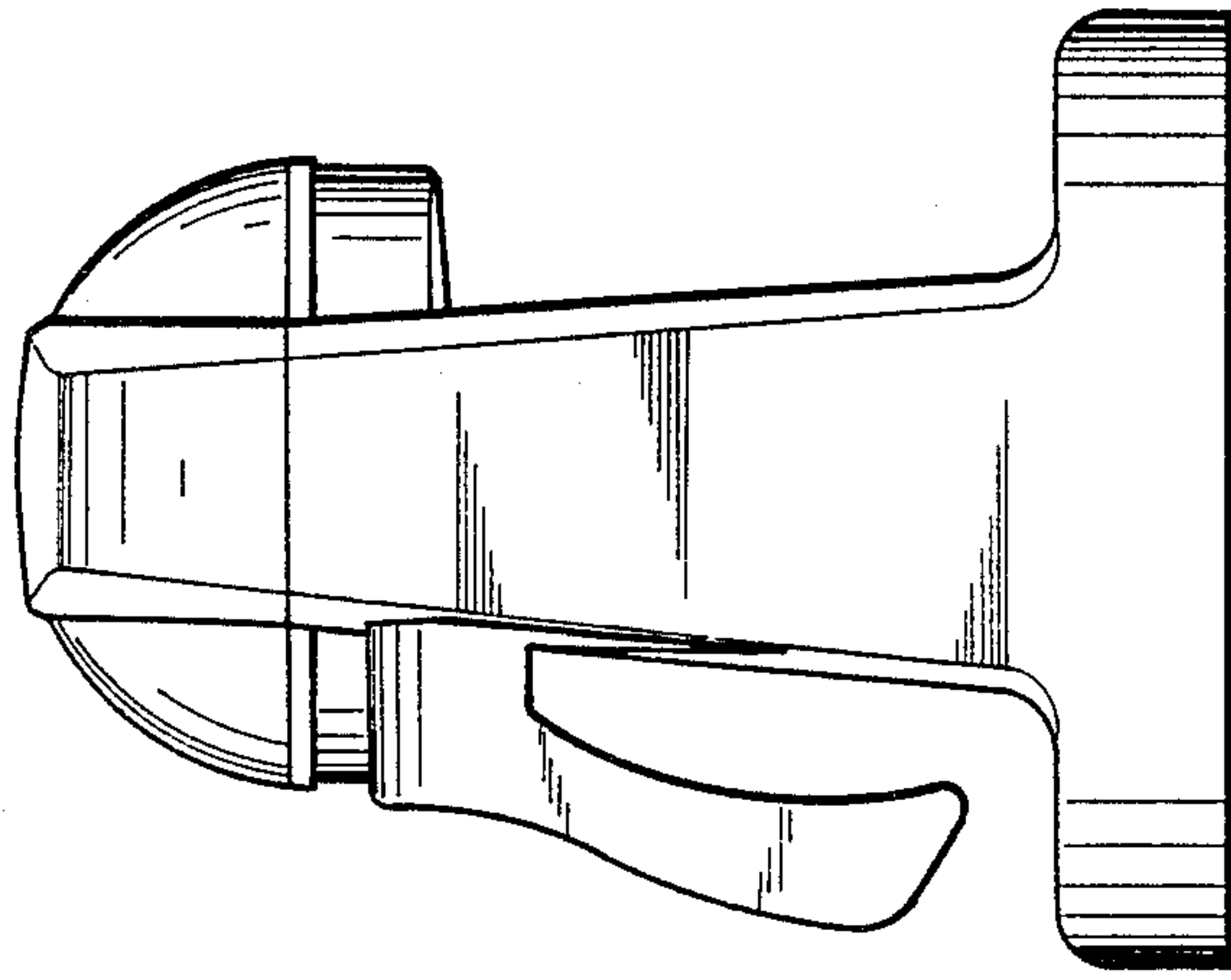


FIG. 2

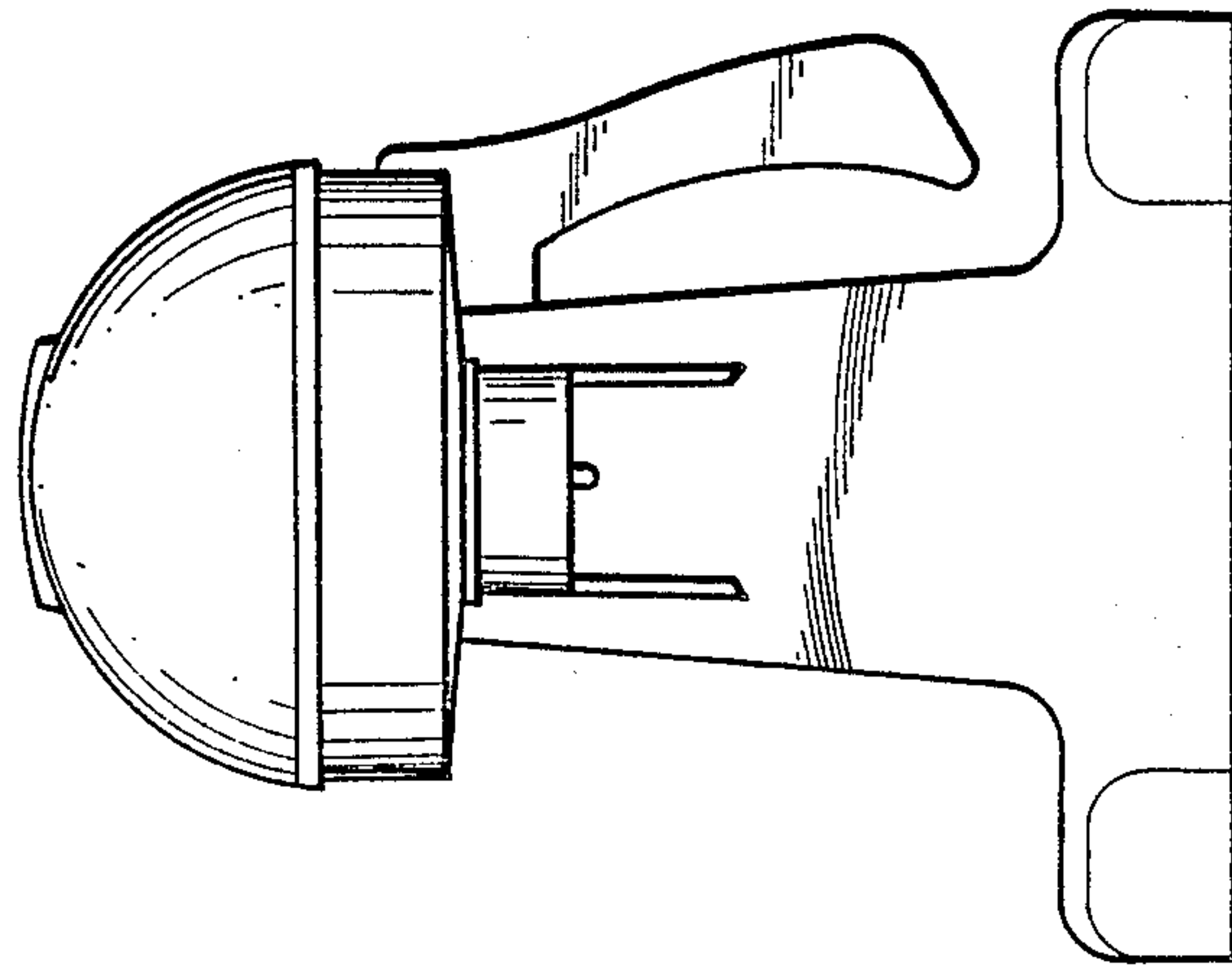


FIG. 3

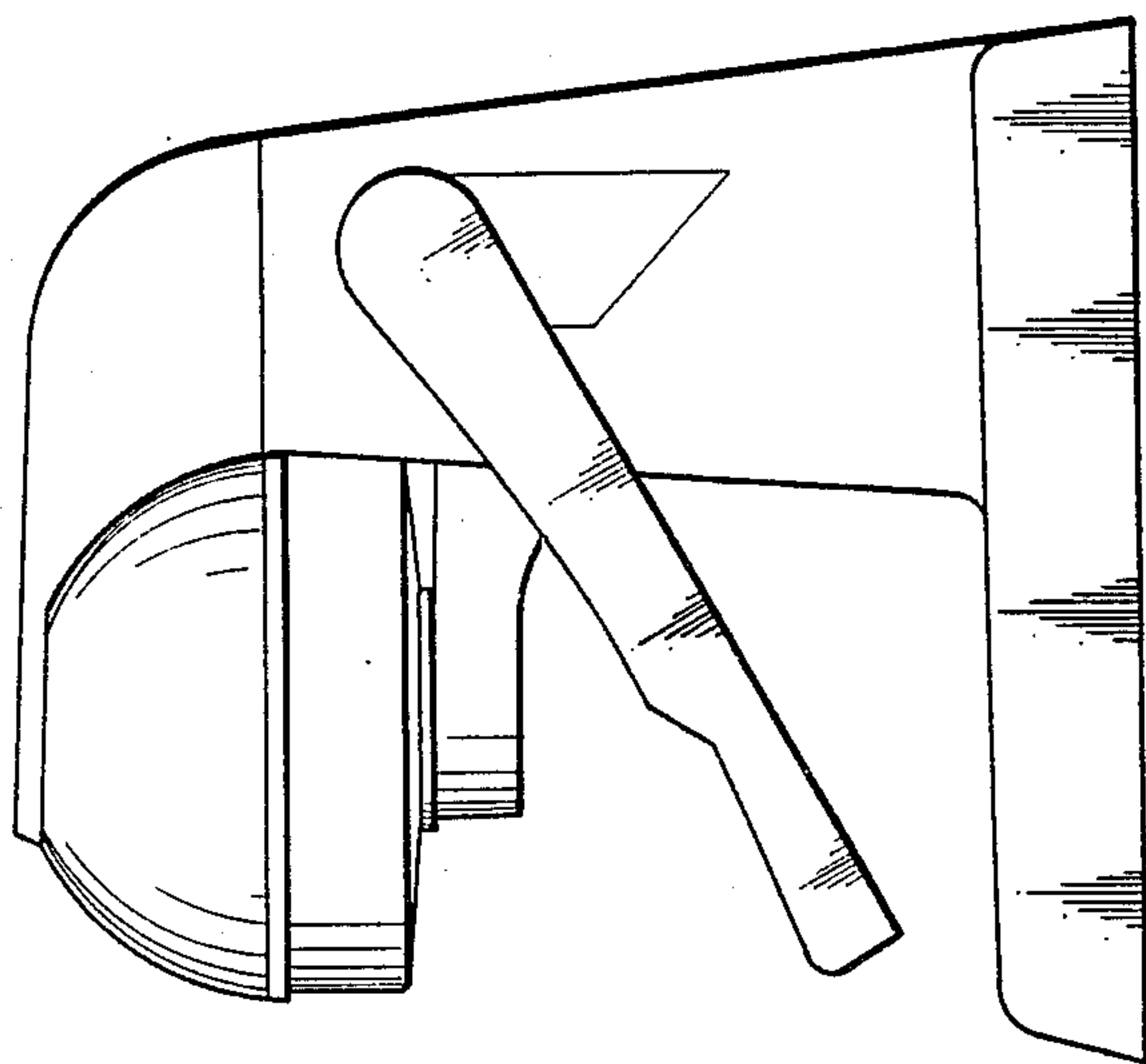


FIG. 5

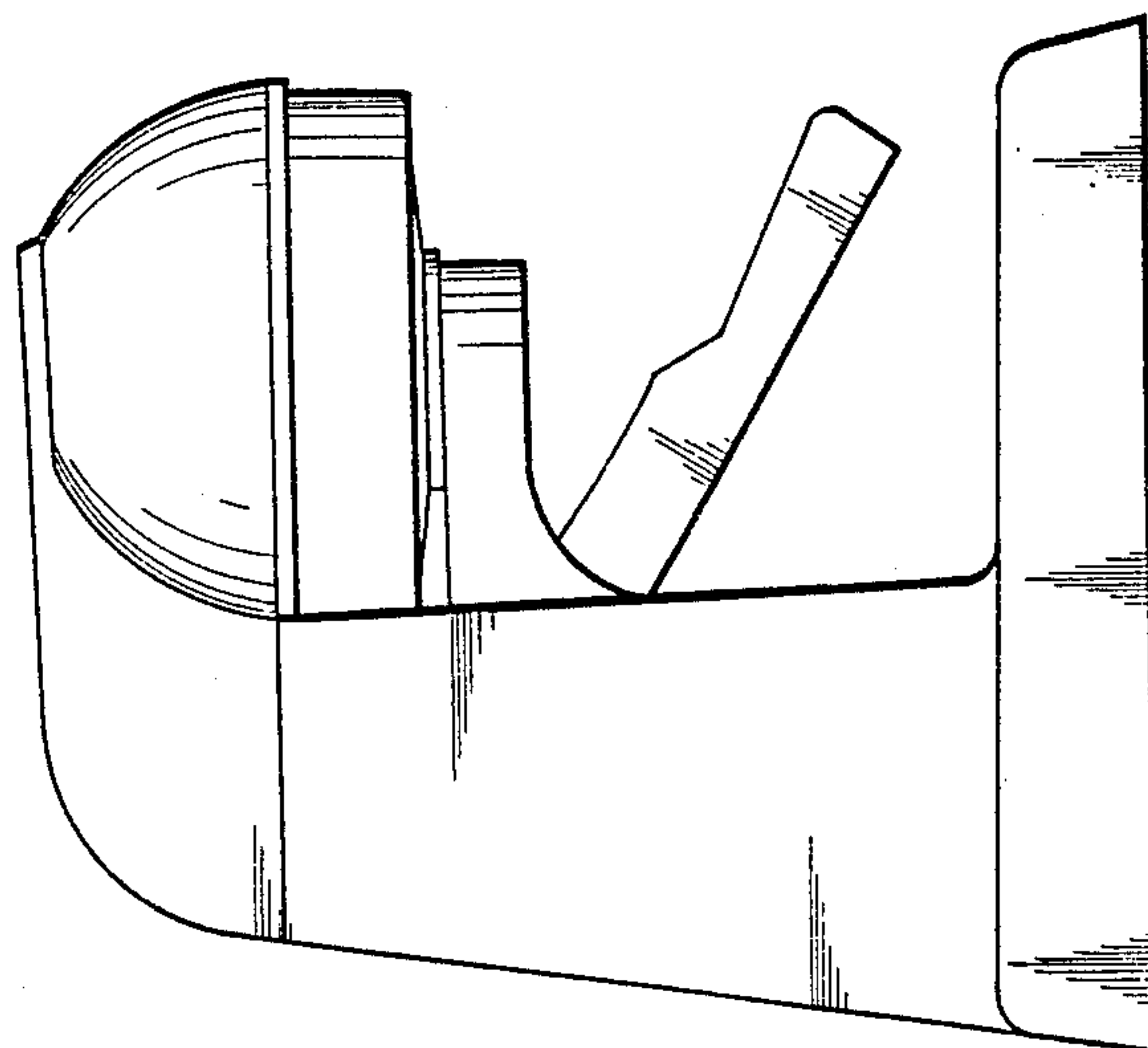


FIG. 4

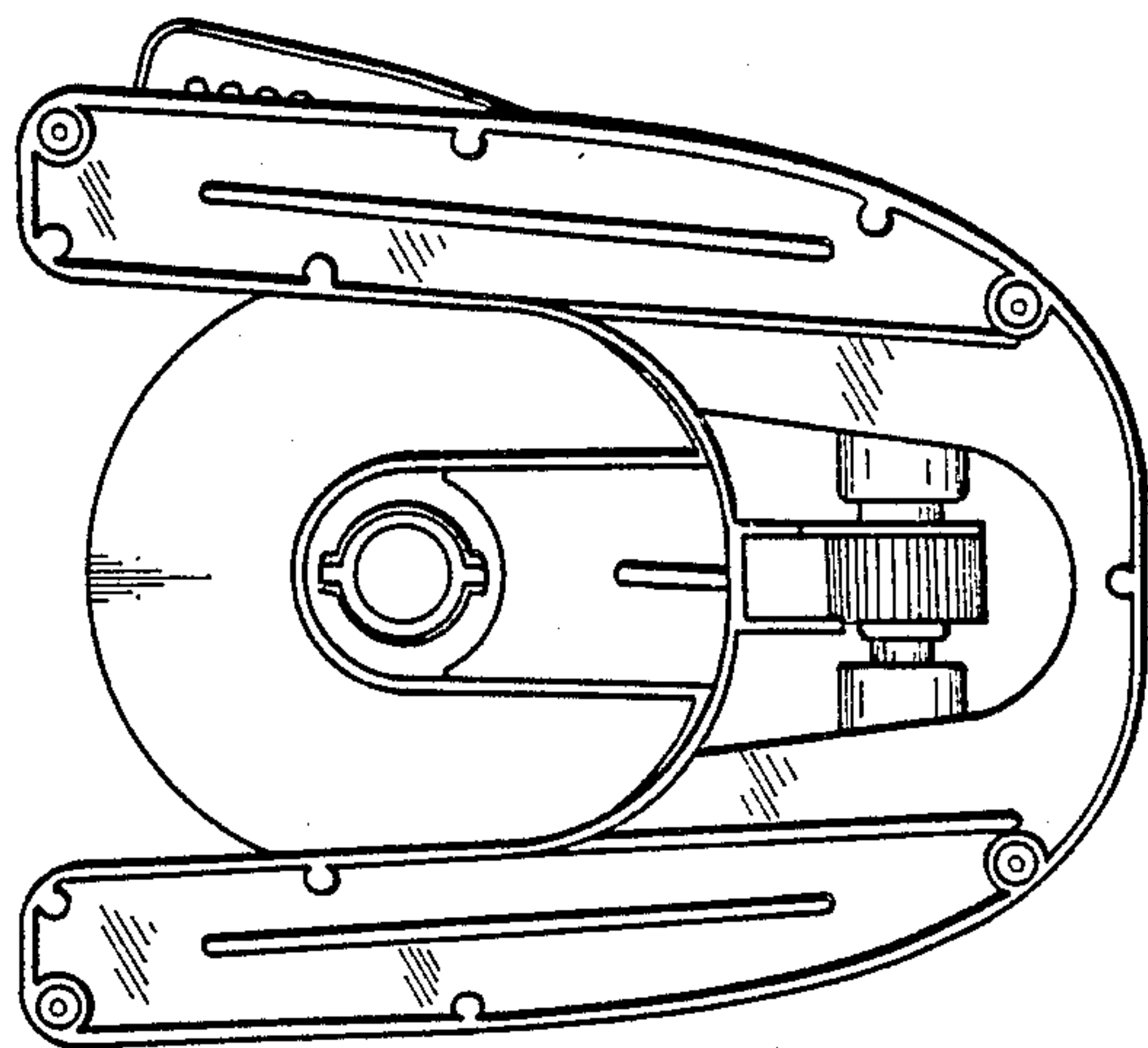


FIG. 7

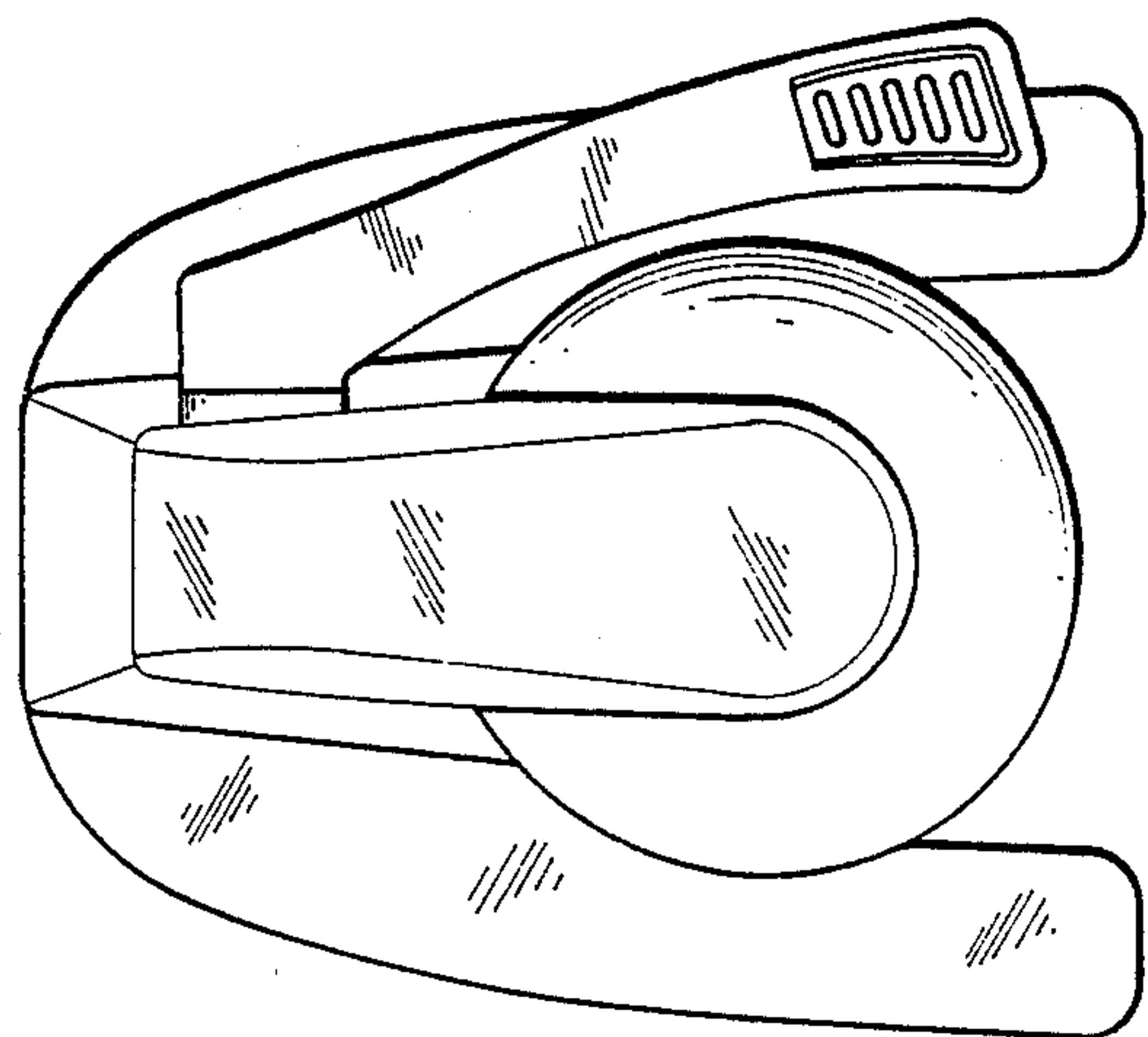


FIG. 6