

[54] **JUICE PRESSER OR SIMILAR ARTICLE**

[76] **Inventor:** Yung-To Li, No. 58, Jen-Ai St.,  
Eng-Hang Tsun, Yung-Kang Hsiang,  
Tainan Hsien, Taiwan

[\*\*] **Term:** 14 Years

[21] **Appl. No.:** 51,812

[22] **Filed:** May 19, 1987

[30] **Foreign Application Priority Data**

Feb. 28, 1987 [TW] Taiwan ..... 76301131  
[52] **U.S. Cl.** ..... D7/49  
[58] **Field of Search** ..... D7/48-49,  
D7/372-374; 99/495, 501-506; 100/213

[56]

**References Cited**

**U.S. PATENT DOCUMENTS**

D. 92,537 6/1934 Johnson ..... D7/49  
D. 110,203 6/1938 Bloomfield ..... D7/49  
D. 144,481 4/1946 Casanov ..... D7/49

*Primary Examiner*—Bernard Ansher  
*Assistant Examiner*—Terry A. Pfeffer  
*Attorney, Agent, or Firm*—Ladas & Parry

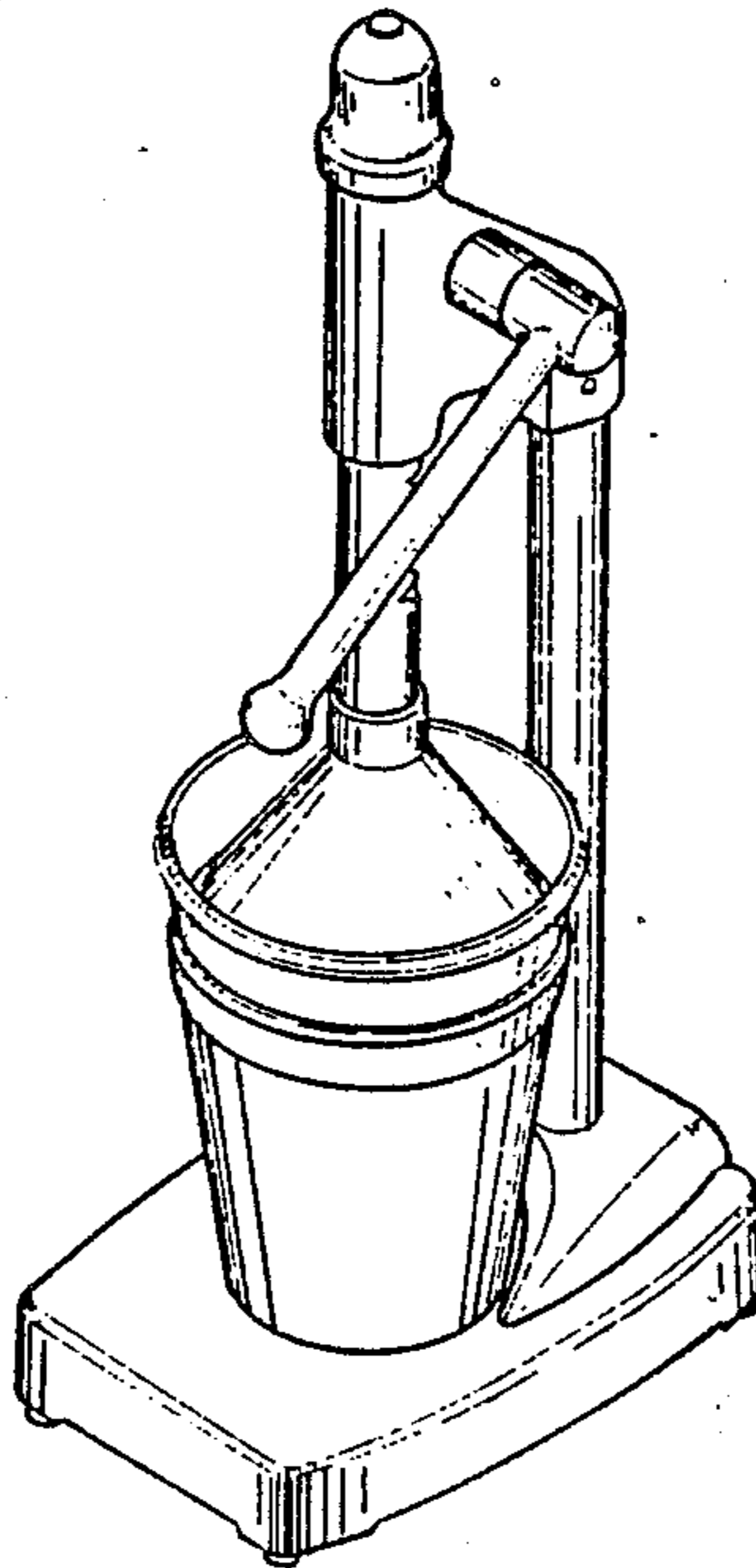
[57]

**CLAIM**

The ornamental design for juice pressure or similar article, as shown and described.

**DESCRIPTION**

FIG. 1 is a perspective view of juice presser or similar article showing my new design;  
FIG. 2 is a front elevational view thereof;  
FIG. 3 is a rear elevational view thereof;  
FIG. 4 is a left side view thereof;  
FIG. 5 is a right side view thereof;  
FIG. 6 is a top plan view thereof; and  
FIG. 7 is a bottom plan view thereof.



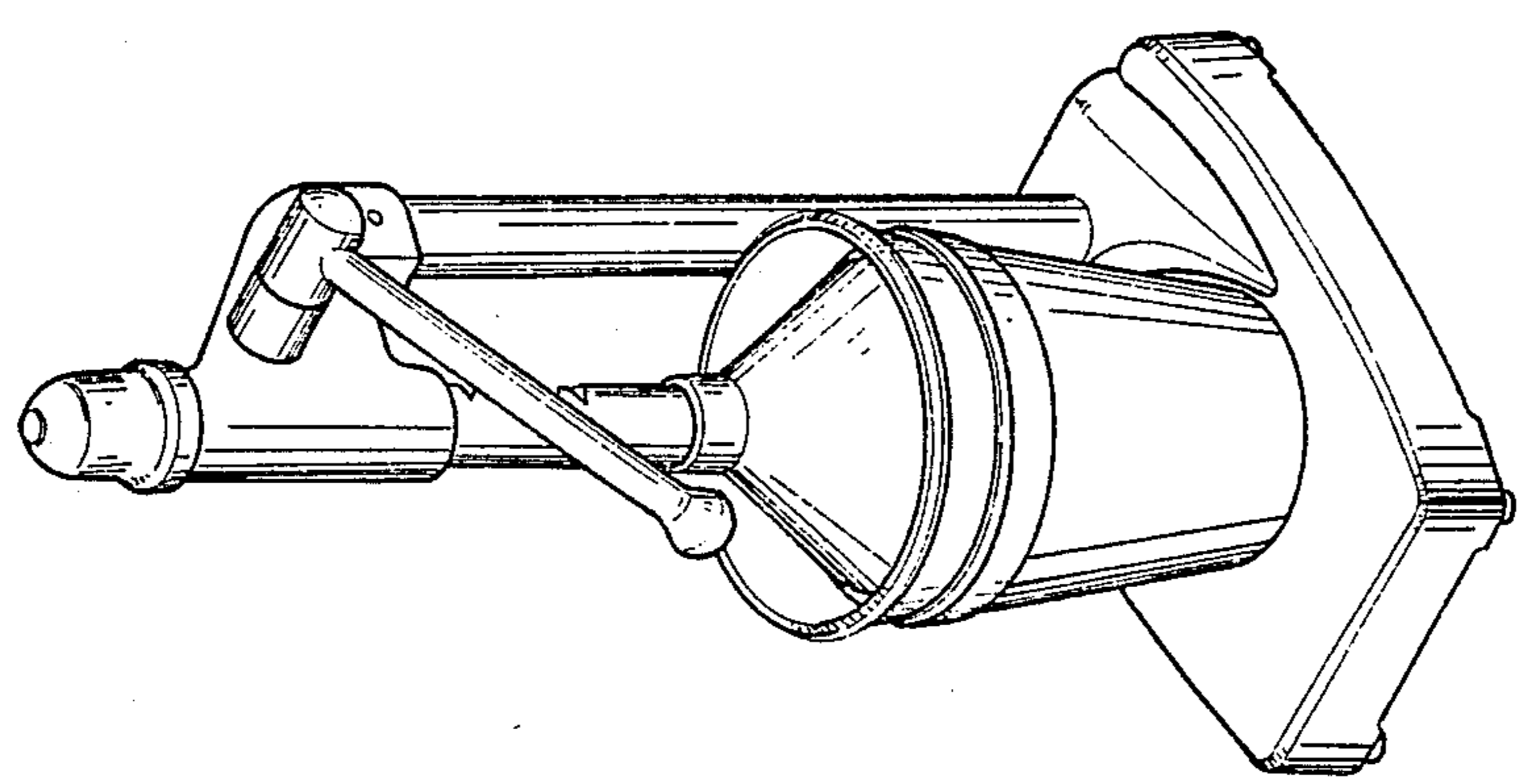


FIG. 1

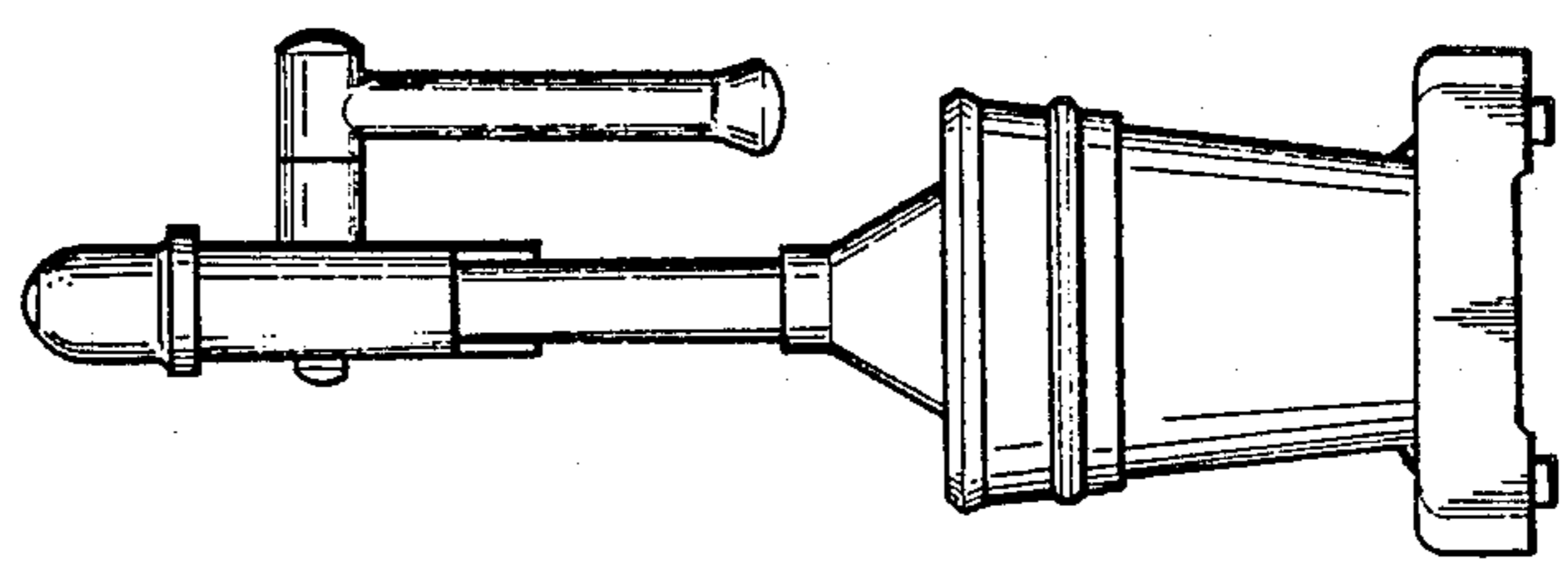


FIG. 2

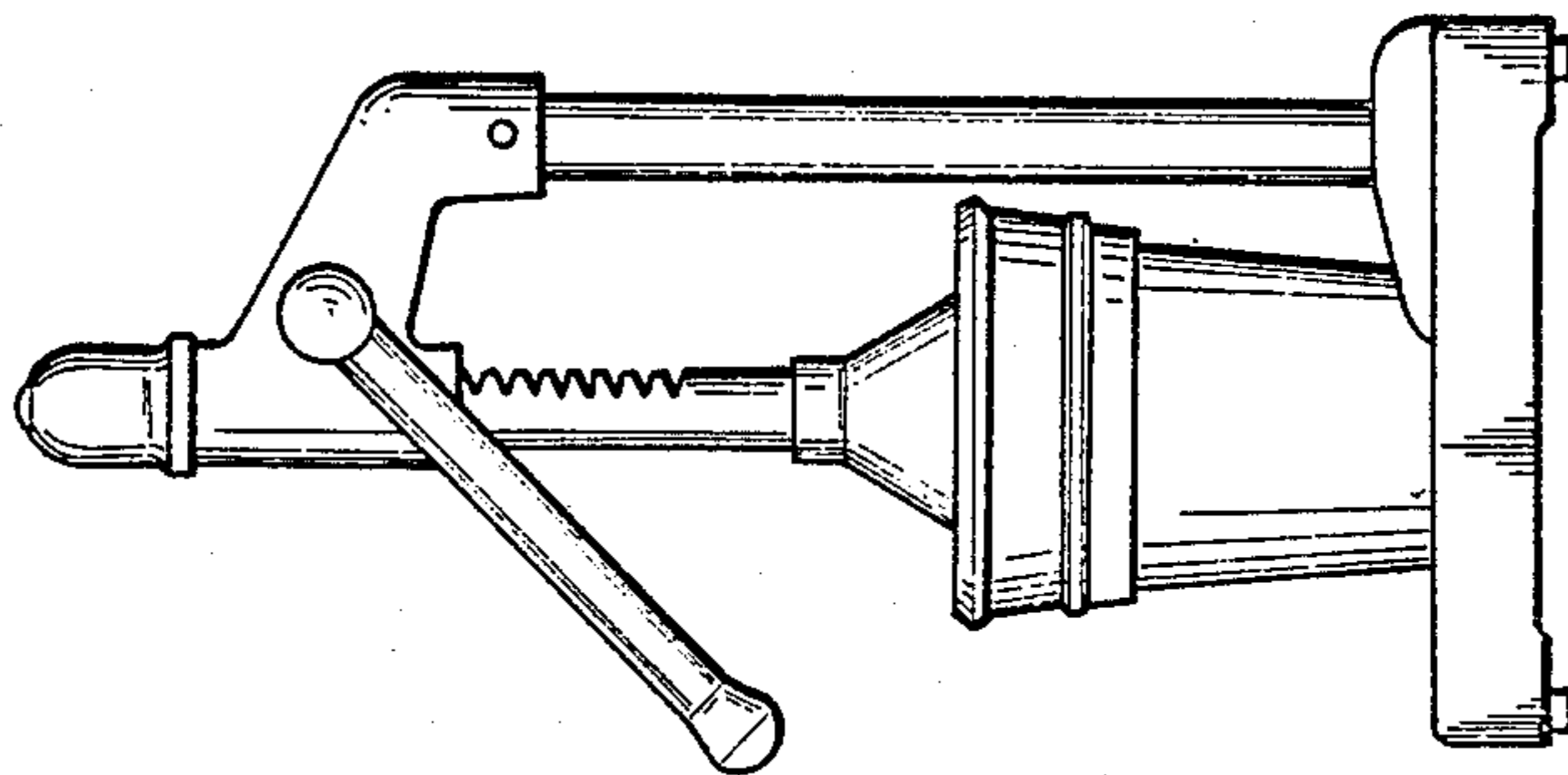


FIG. 5

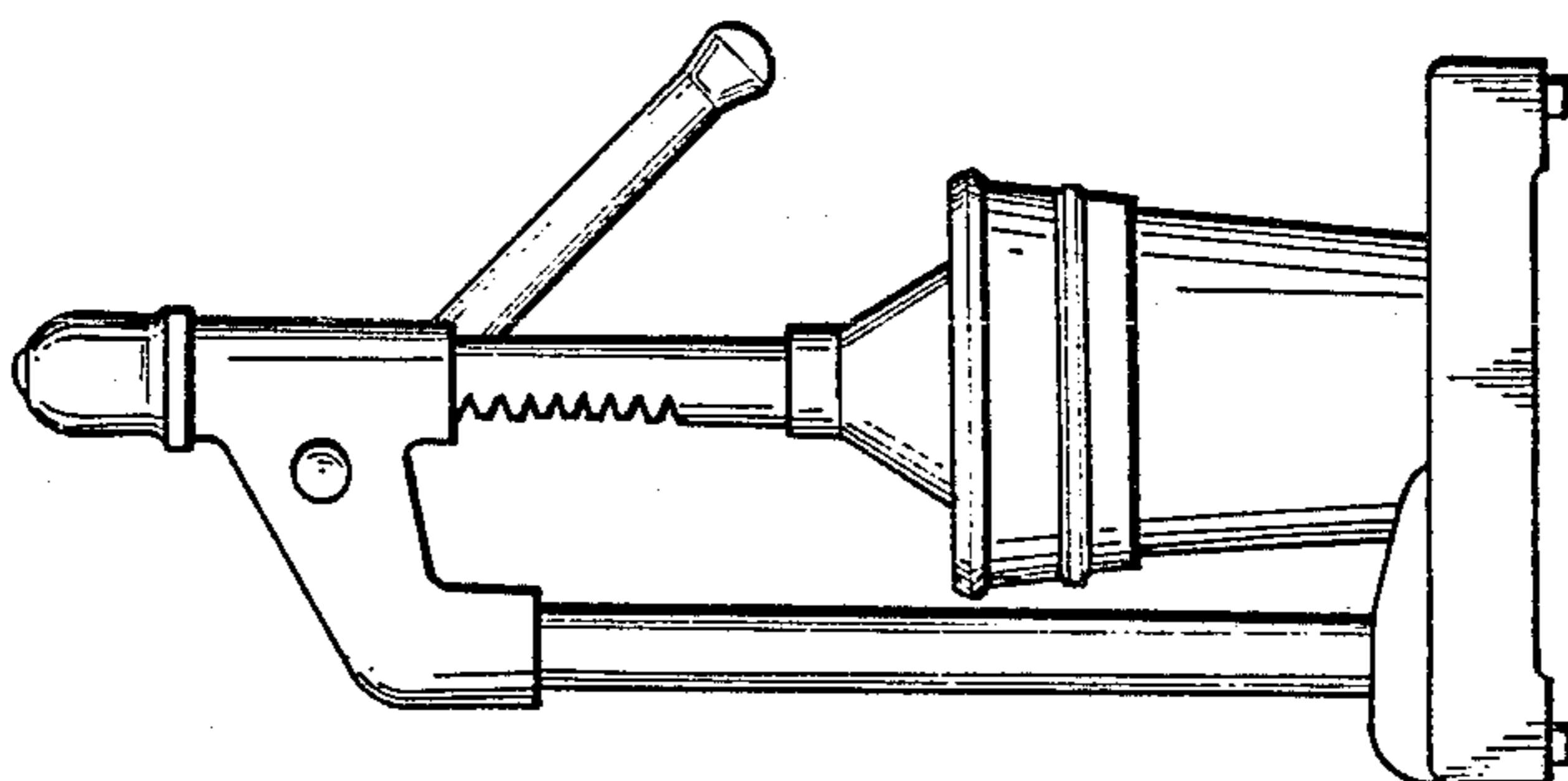


FIG. 4

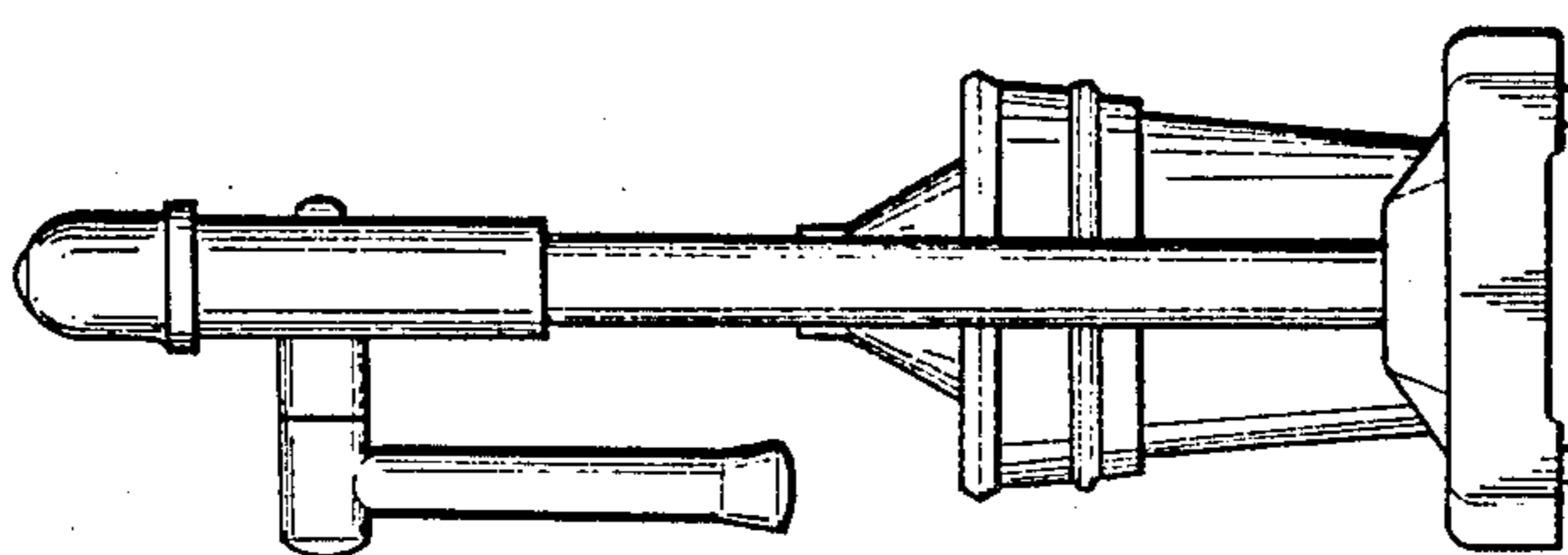


FIG. 3

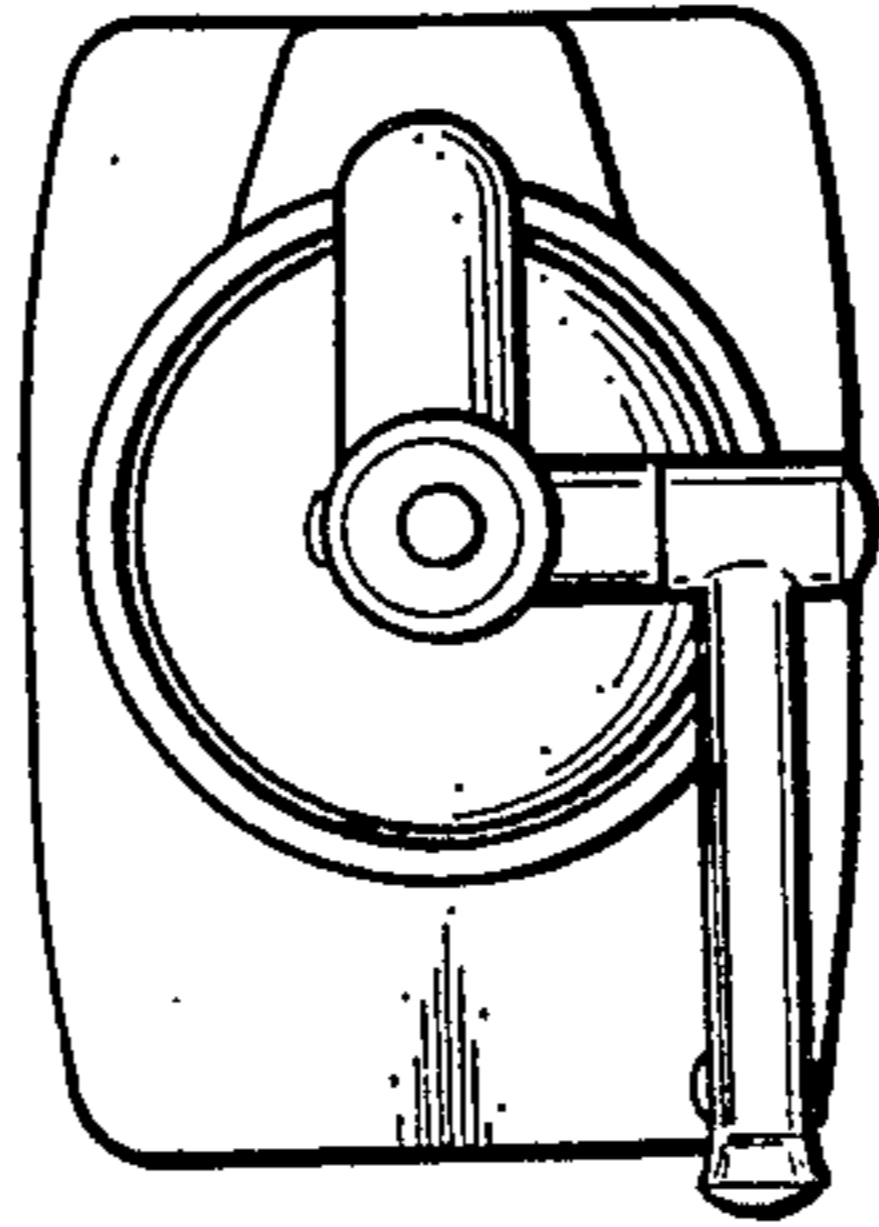


FIG. 6

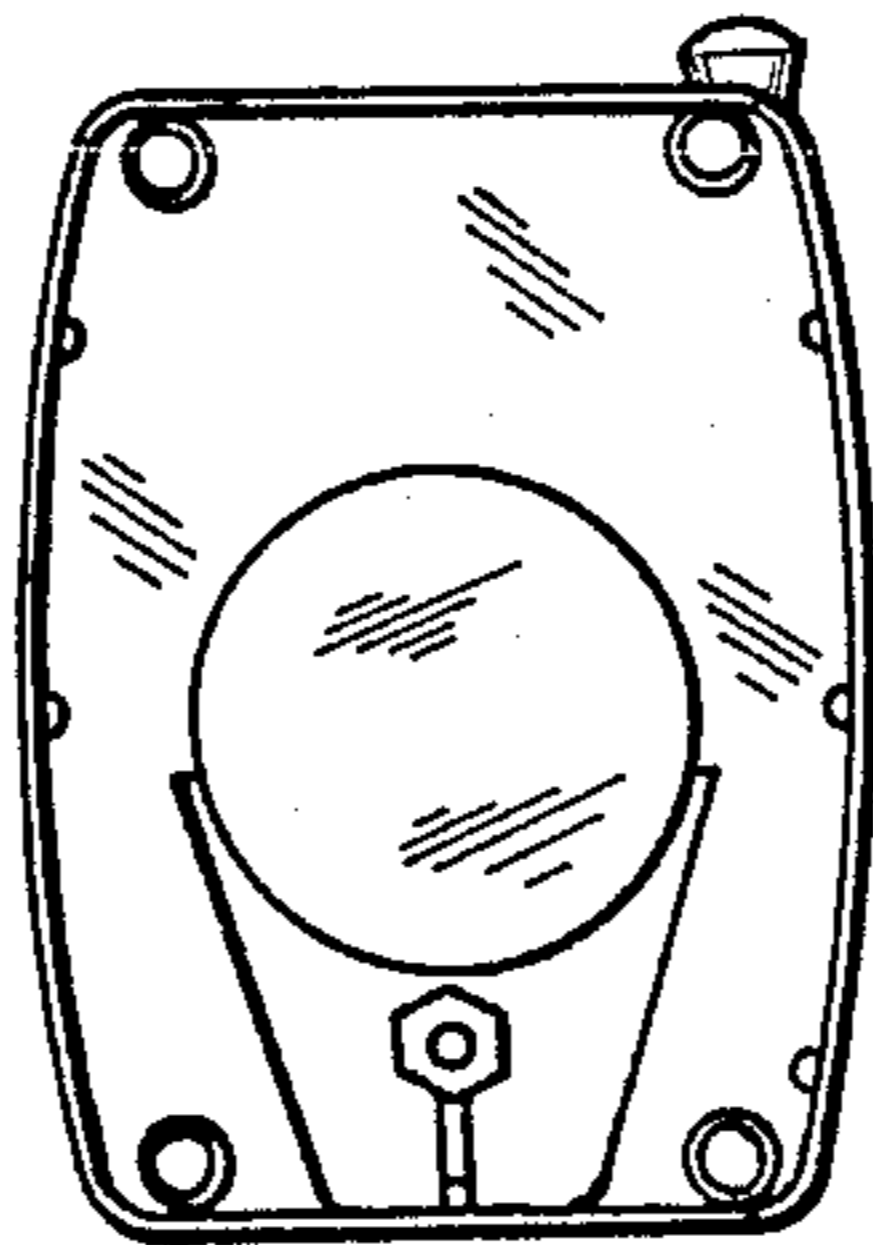


FIG. 7